



US00D368543S

United States Patent [19]

Yuen

[11] Patent Number: **Des. 368,543**

[45] Date of Patent: ****Apr. 2, 1996**

[54] **COMBINED FLASHLIGHT AND EMERGENCY LIGHT**

[75] Inventor: **Se K. Yuen**, Kowloon, Hong Kong

[73] Assignee: **John Manufacturing Limited**, Kowloon, Hong Kong

[**] Term: **14 Years**

[21] Appl. No.: **25,642**

[22] Filed: **Jul. 7, 1994**

[30] **Foreign Application Priority Data**

Feb. 28, 1994 [GB] United Kingdom 2037397

[52] **U.S. Cl.** **D26/48**

[58] **Field of Search** D26/37-50; 362/157-158, 362/171-172, 178, 181, 183, 192, 194, 196-197, 200-206

[56] **References Cited**

U.S. PATENT DOCUMENTS

- D. 287,292 12/1986 Yuen D26/38
- D. 337,644 7/1993 Stearns et al. D26/48

Primary Examiner—A. Hugo Word
Assistant Examiner—Robin V. Taylor
Attorney, Agent, or Firm—Darby & Darby

[57] **CLAIM**

The ornamental design for a combined flashlight and emergency light, as shown and described.

DESCRIPTION

FIG. 1 is a front elevational view of a combined flashlight and emergency light showing my new design;
 FIG. 2 is a rear elevational view thereof;
 FIG. 3 is a right side elevational view thereof, the left side elevational view being a mirror image thereof;
 FIG. 4 is a top plan view thereof;
 FIG. 5 is a bottom plan view thereof;
 FIG. 6 is a perspective view from the front illustrating the rear arm in the extended position;
 FIG. 7 is a perspective view from the rear also showing the rear arm in the extended position; and,
 FIG. 8 is a perspective view from the front illustrating the rear arm in the closed position.

1 Claim, 8 Drawing Sheets

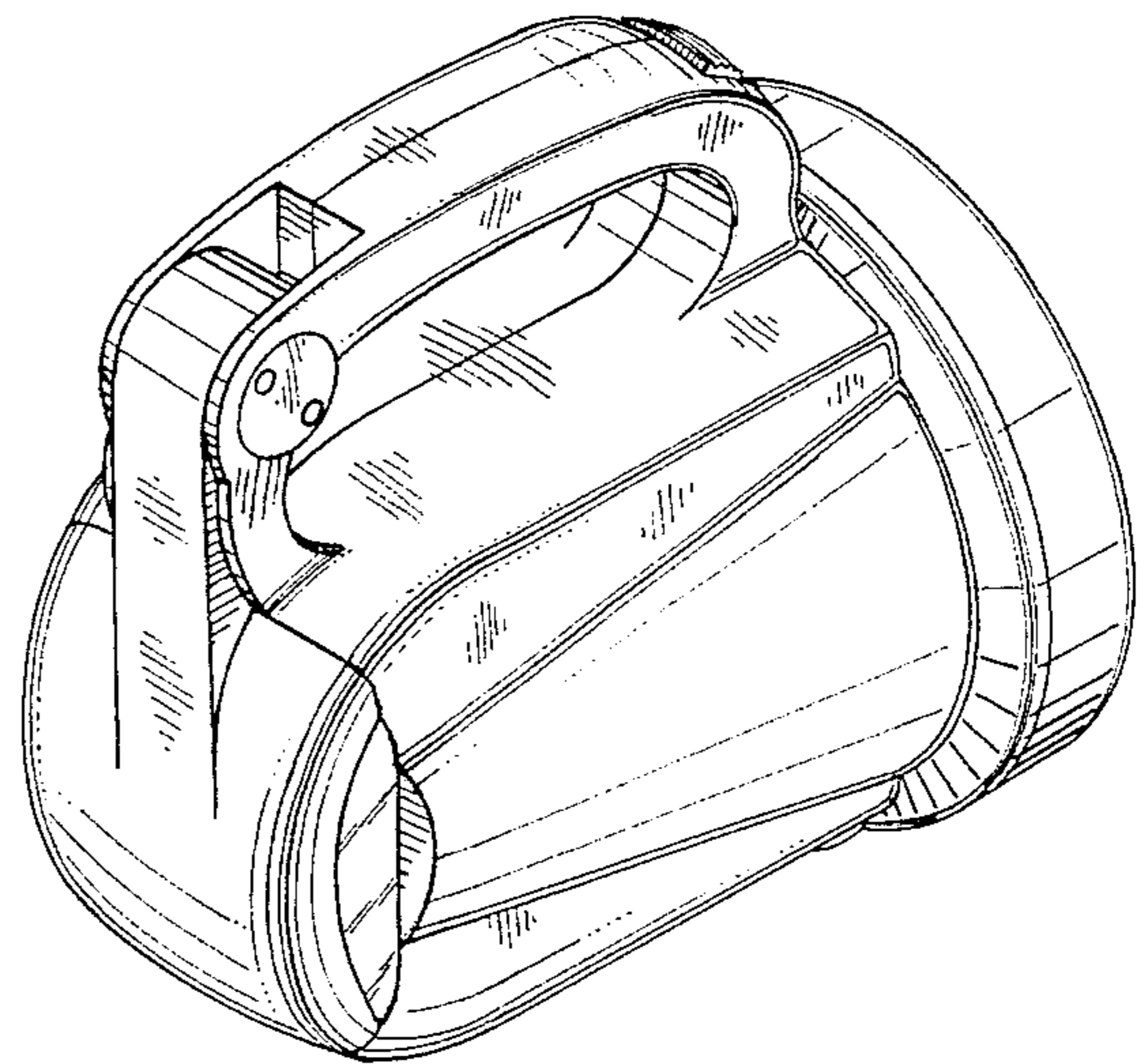
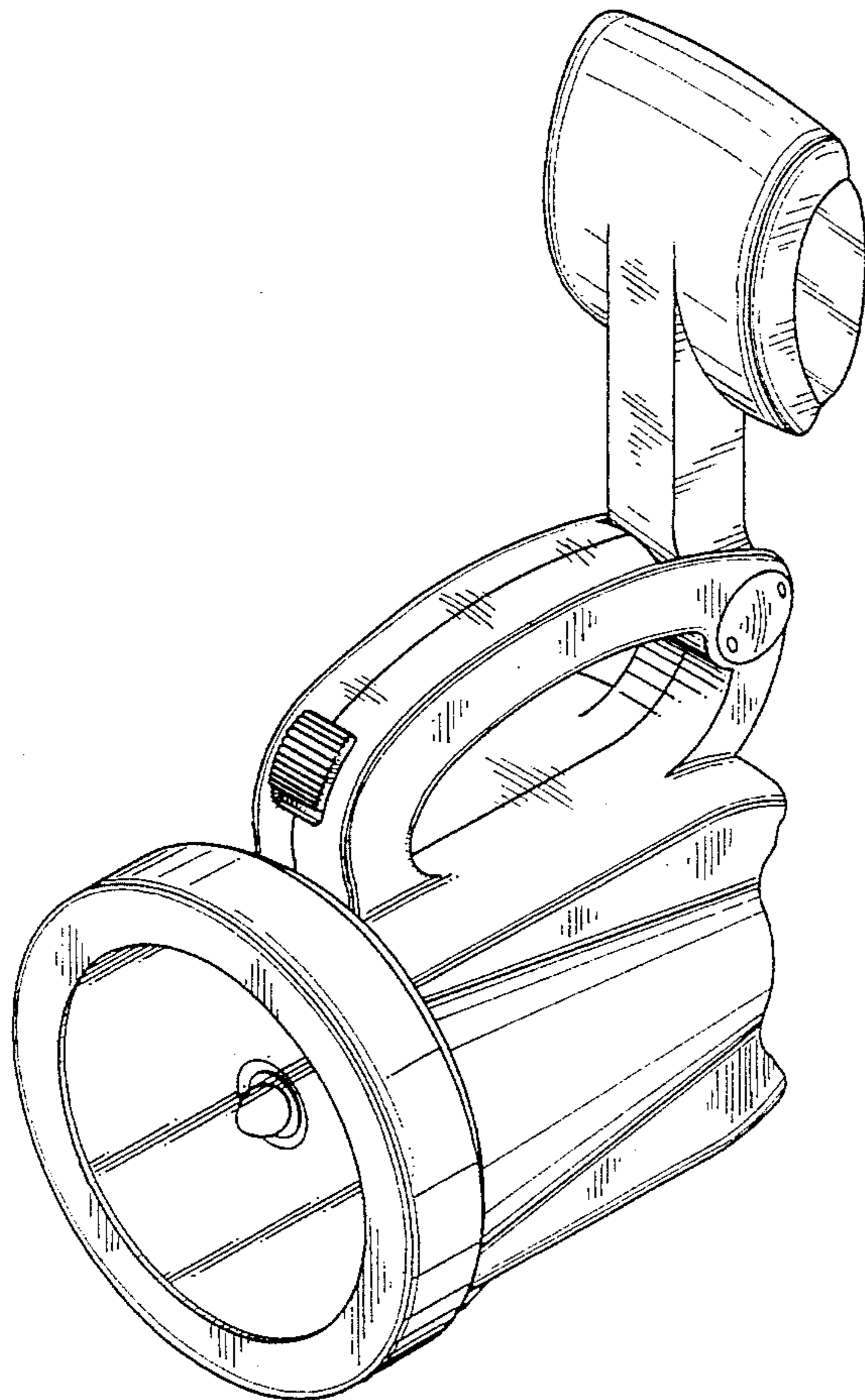


FIG. 1

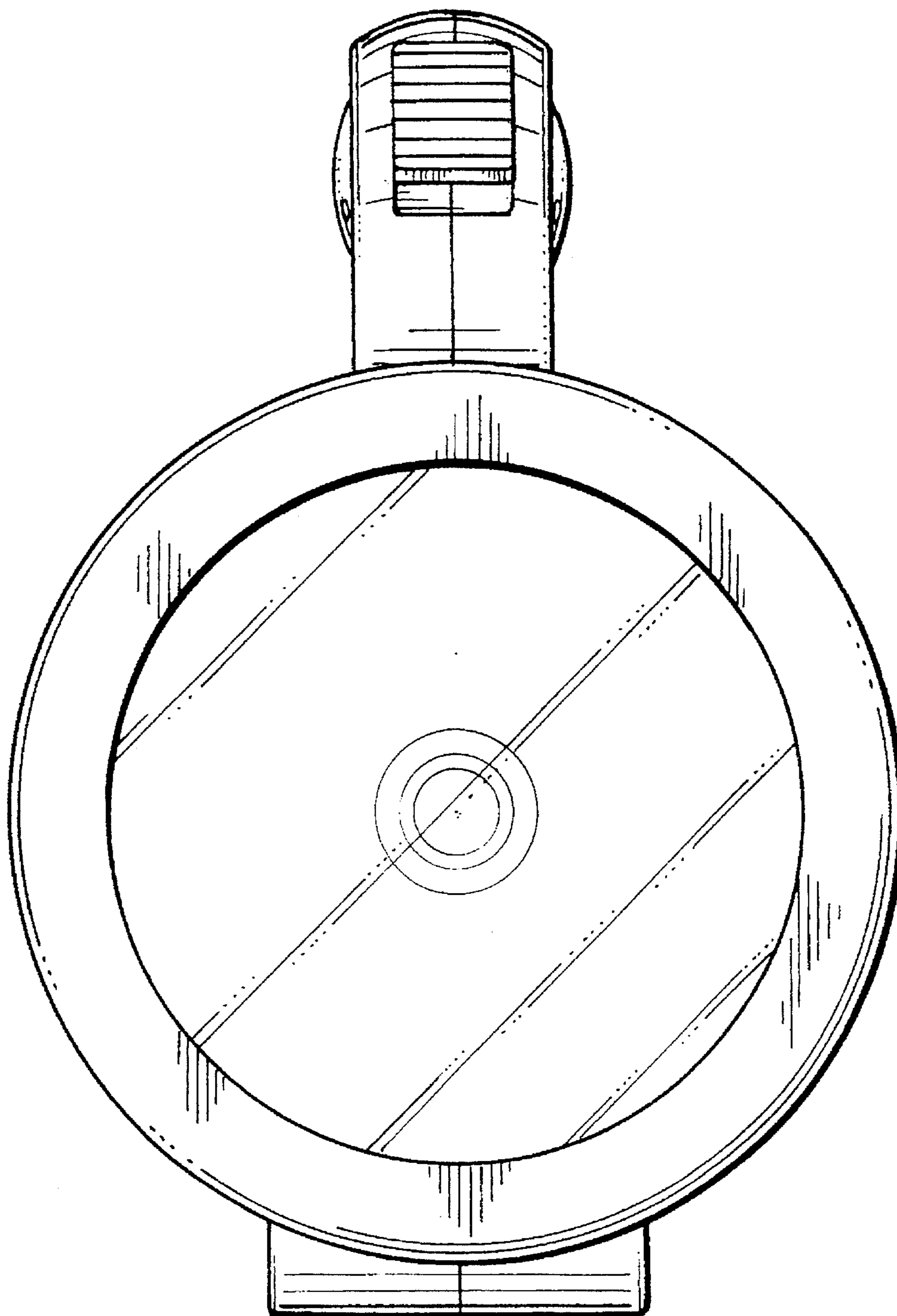


FIG. 2

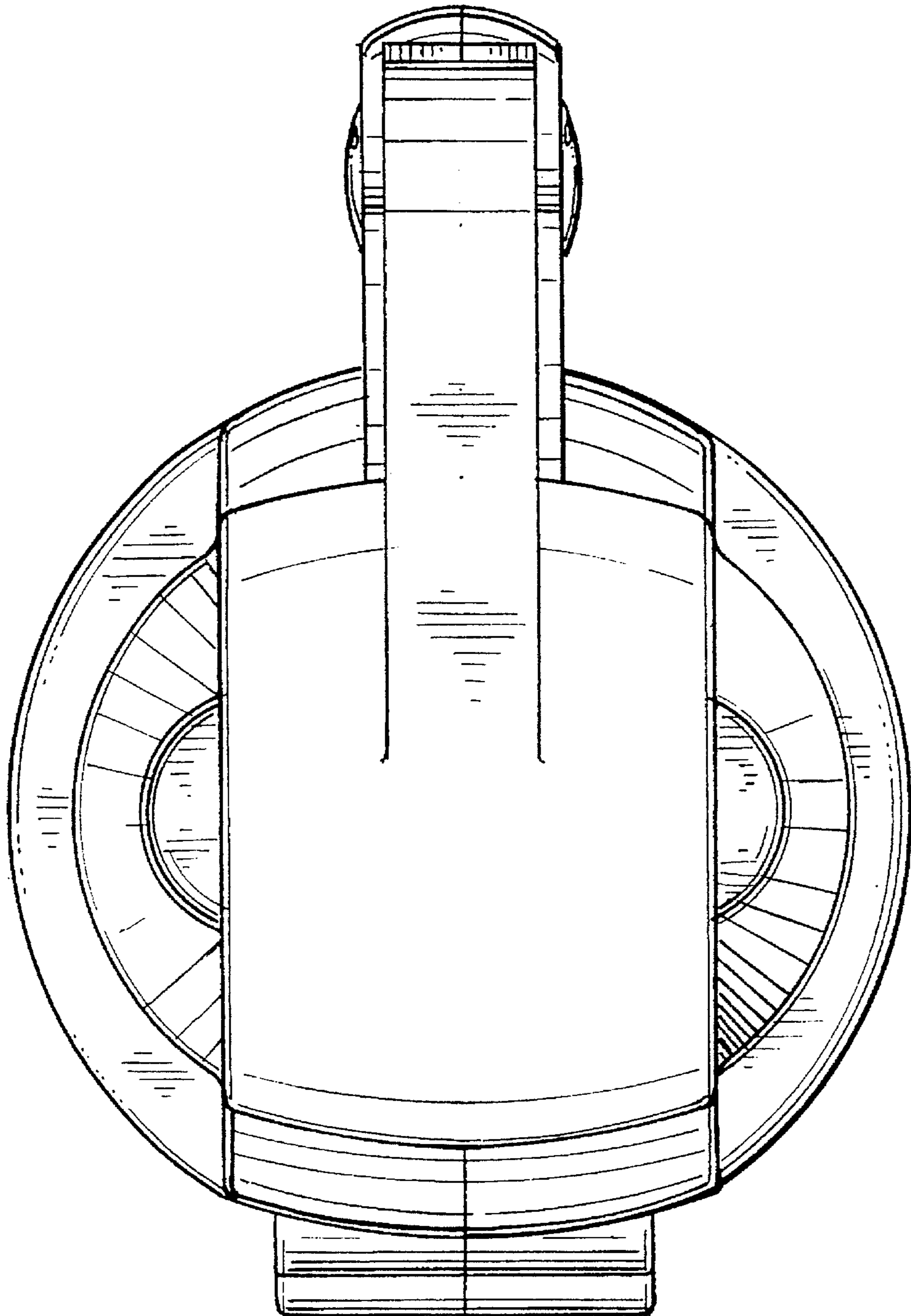


FIG. 3

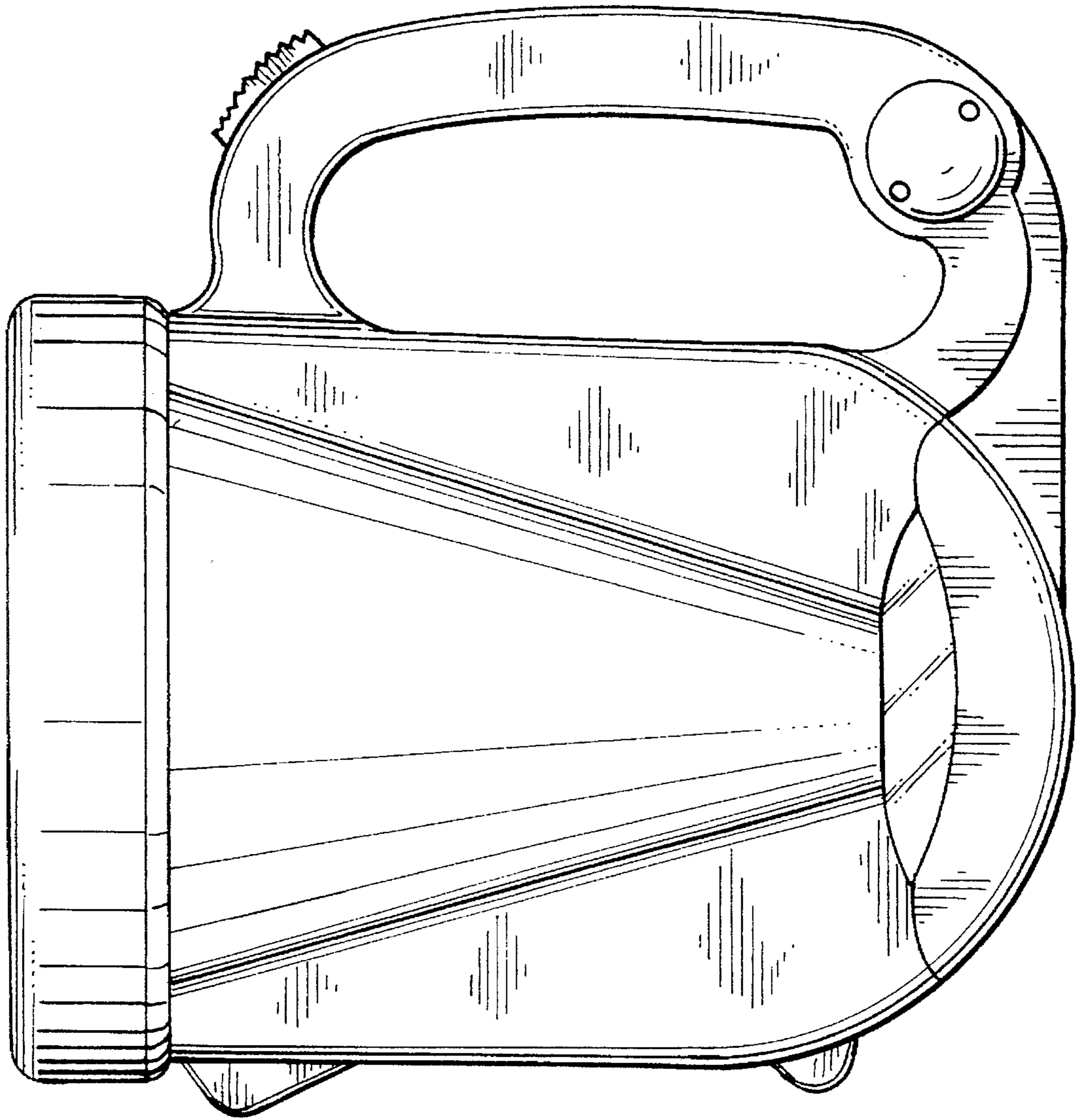


FIG. 4

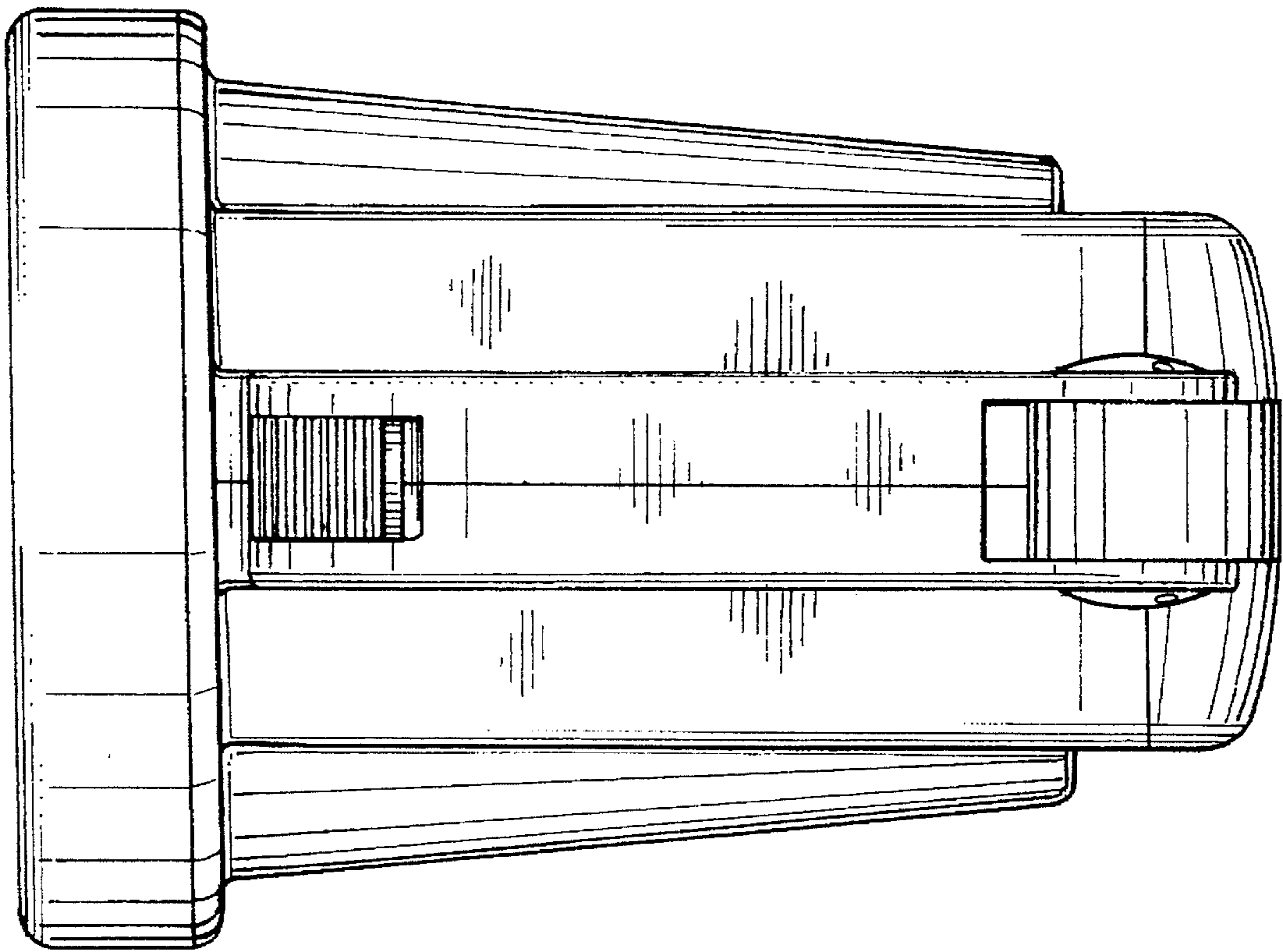


FIG. 5

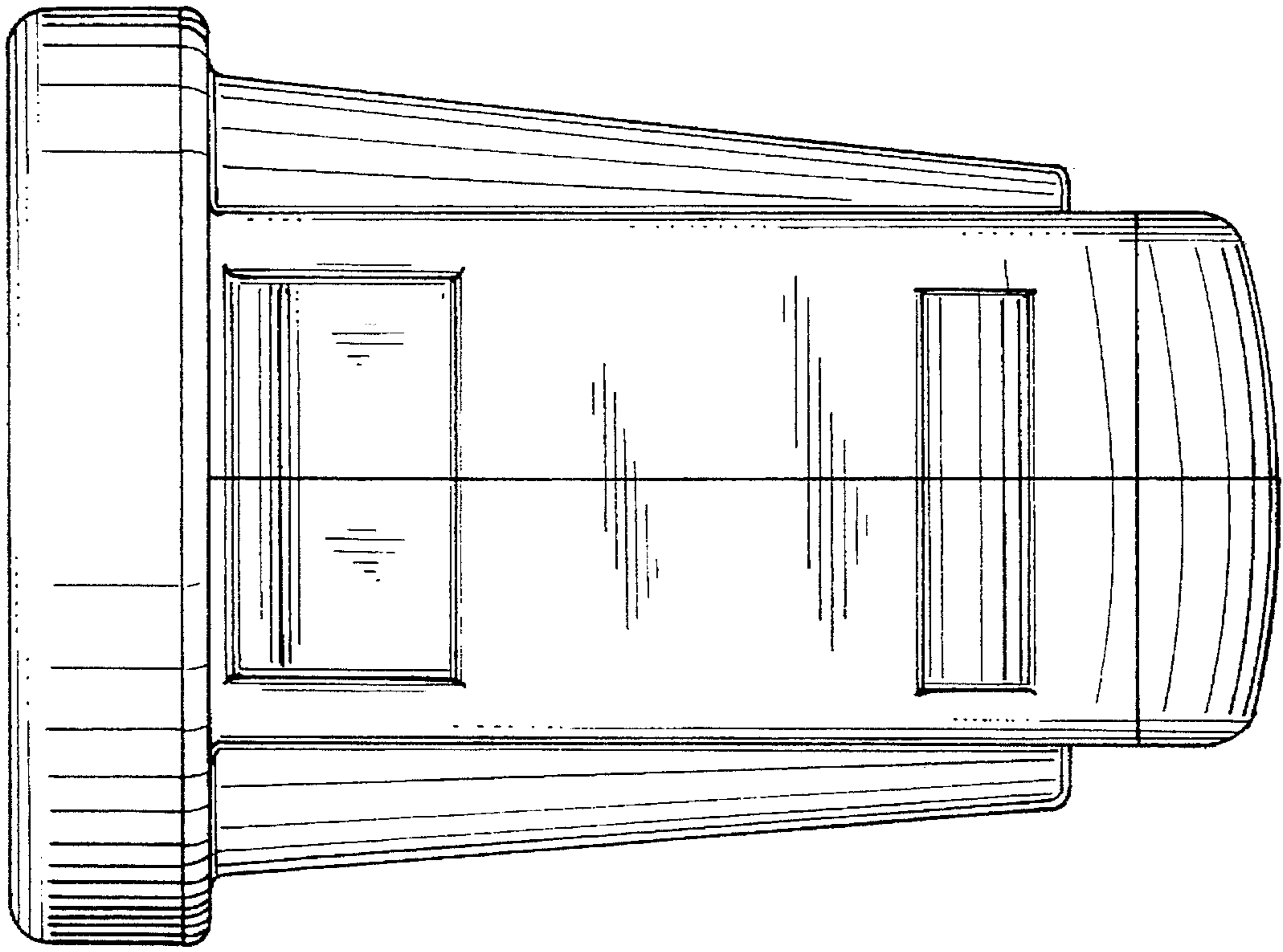


FIG. 6

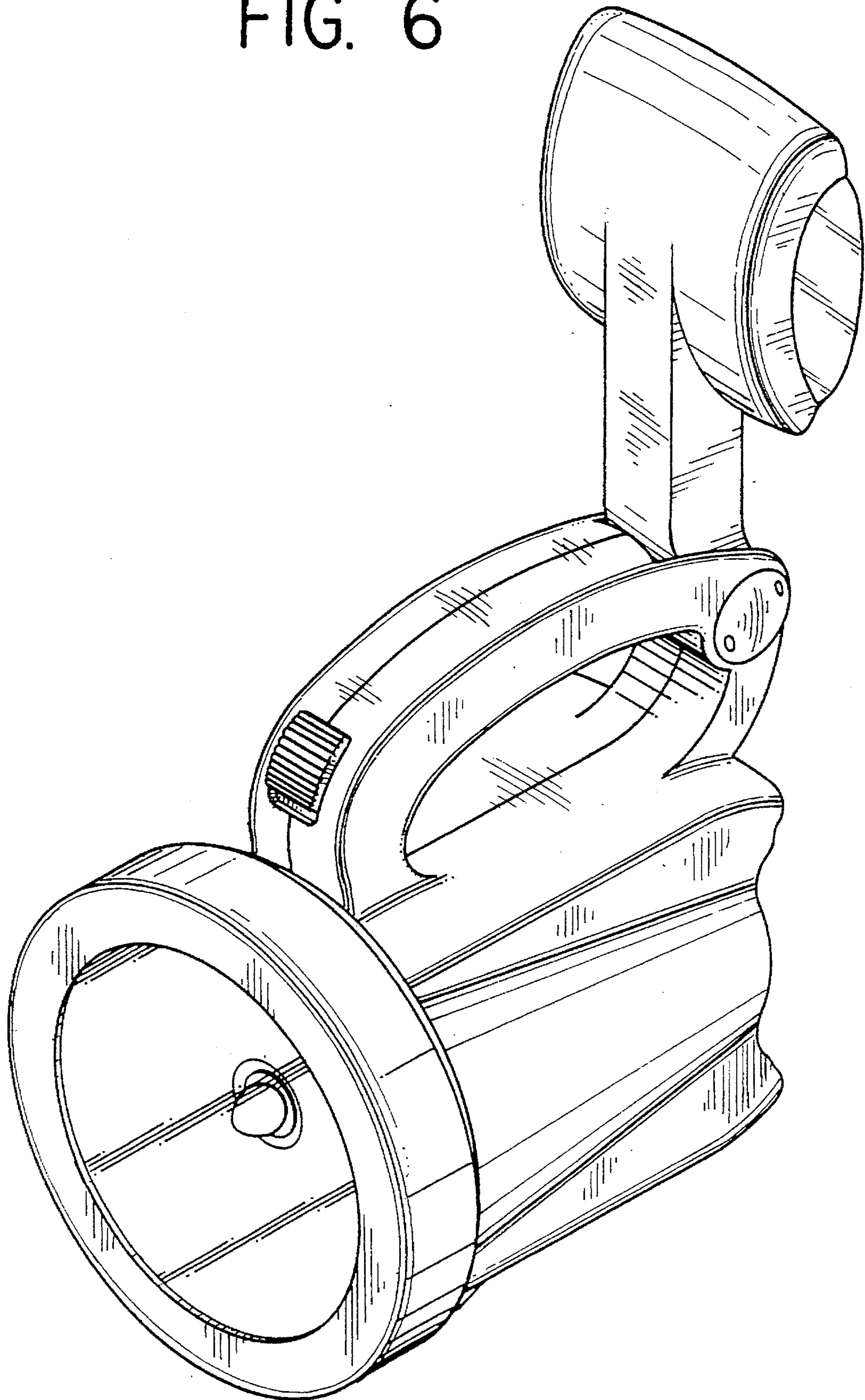


FIG. 7

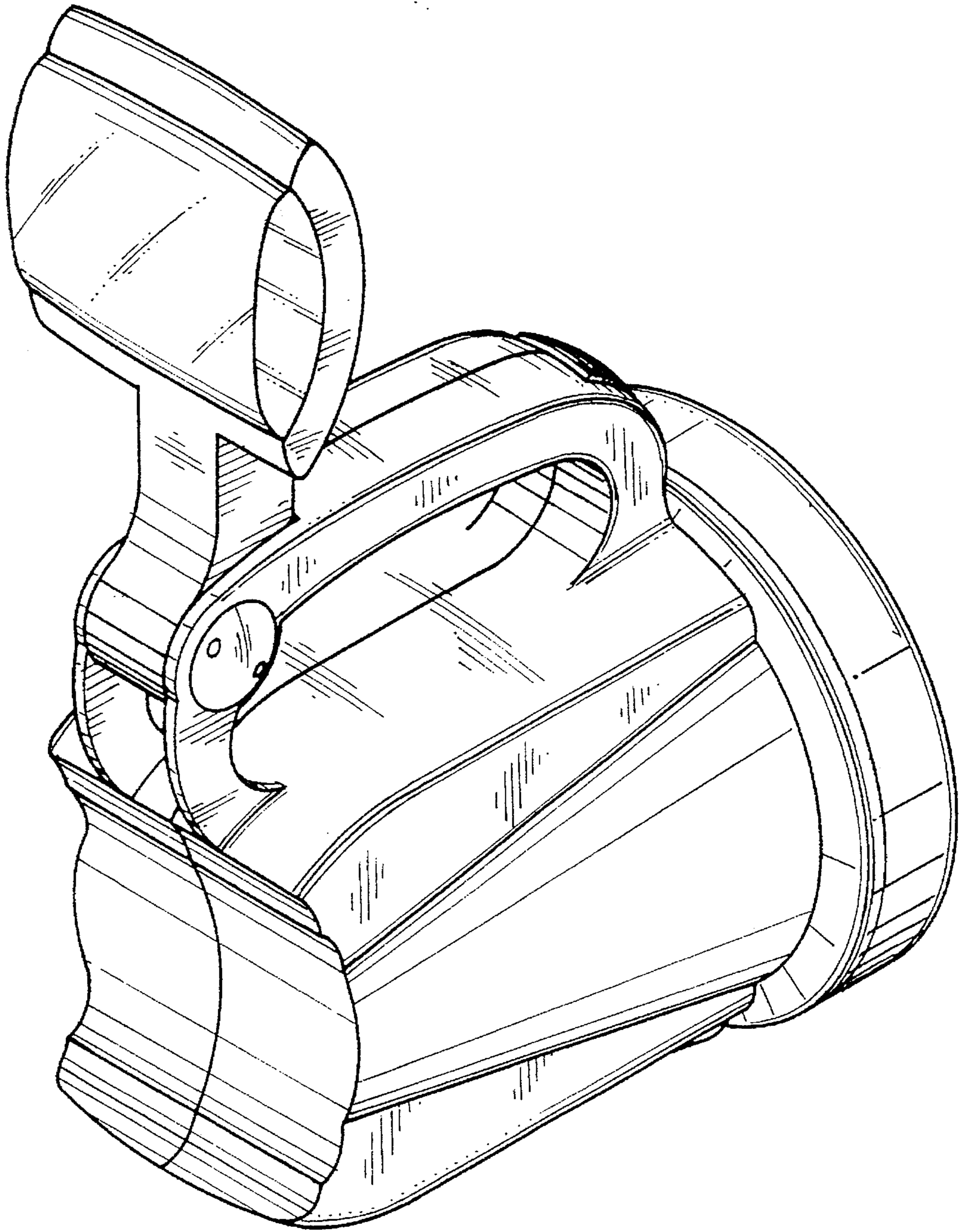


FIG. 8

