



US00D368540S

United States Patent [19]
Santarsiero

[11] **Patent Number: Des. 368,540**
[45] **Date of Patent: **Apr. 2, 1996**

[54] **FLASHLIGHT**

2,805,325 9/1957 Crawford 362/191

[75] Inventor: **Paul S. Santarsiero**, Avon, Conn.

Primary Examiner—Susan J. Lucas
Attorney, Agent, or Firm—Barry E. Deutsch

[73] Assignee: **Black & Decker Inc.**, Newark, Del.

[57] **CLAIM**

[**] Term: **14 Years**

The ornamental design for a flashlight, as shown and described.

[21] Appl. No.: **34,834**

DESCRIPTION

[22] Filed: **Feb. 13, 1995**

[52] U.S. Cl. **D26/43**

[58] **Field of Search** D26/37, 43, 44,
D26/46, 49, 60, 62; 362/157, 158, 184,
188, 189, 191, 198, 199, 200, 396

FIG. 1 is a perspective view taken from the front, top and right side of a flashlight showing my new design;
FIG. 2 is a top plan view thereof;
FIG. 3 is a bottom plan view thereof;
FIG. 4 is a front elevational view thereof;
FIG. 5 is a rear elevational view thereof;
FIG. 6 is a right side elevational view thereof; and,
FIG. 7 is a left side elevational view thereof.

[56] **References Cited**

U.S. PATENT DOCUMENTS

- D. 290,519 6/1937 Kuo D26/60
- D. 314,246 1/1991 Bache D26/62

1 Claim, 3 Drawing Sheets

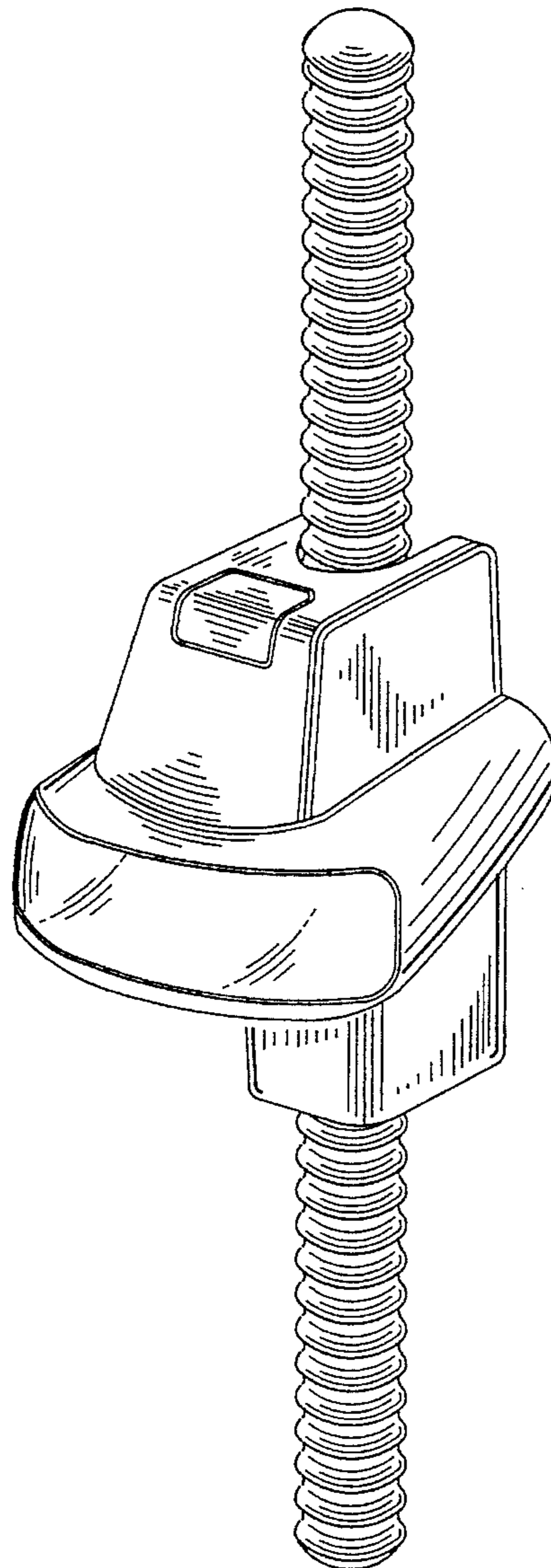


FIG. 1

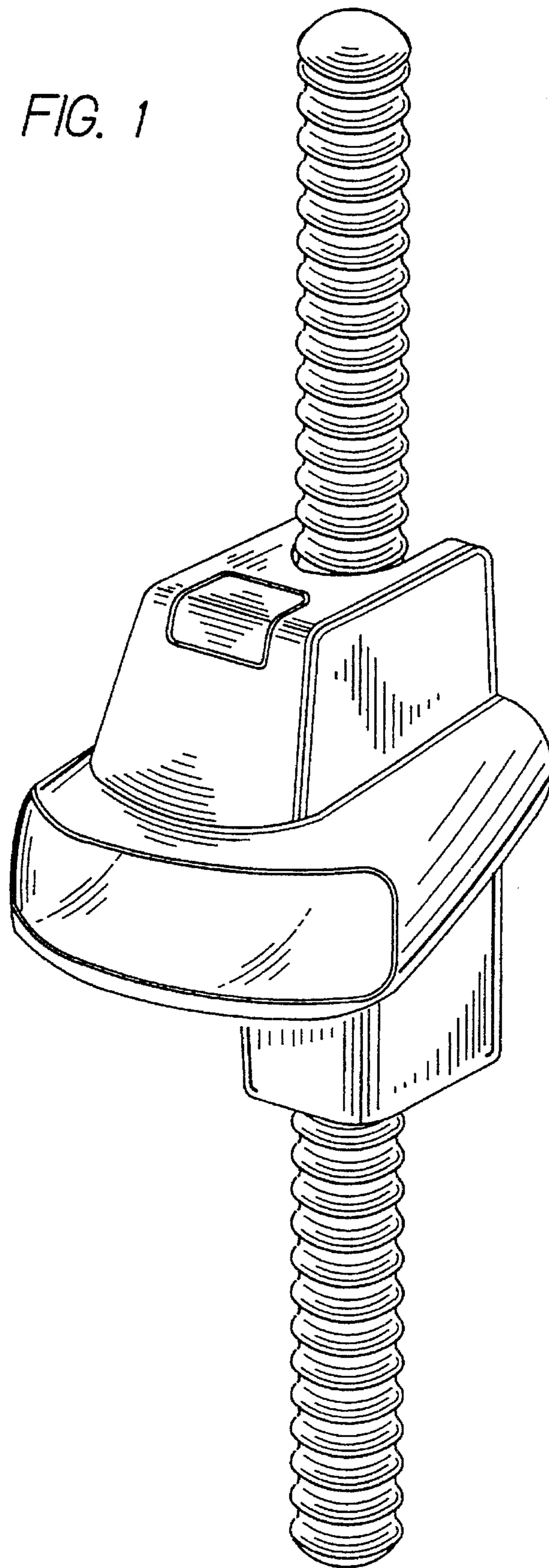


FIG. 2

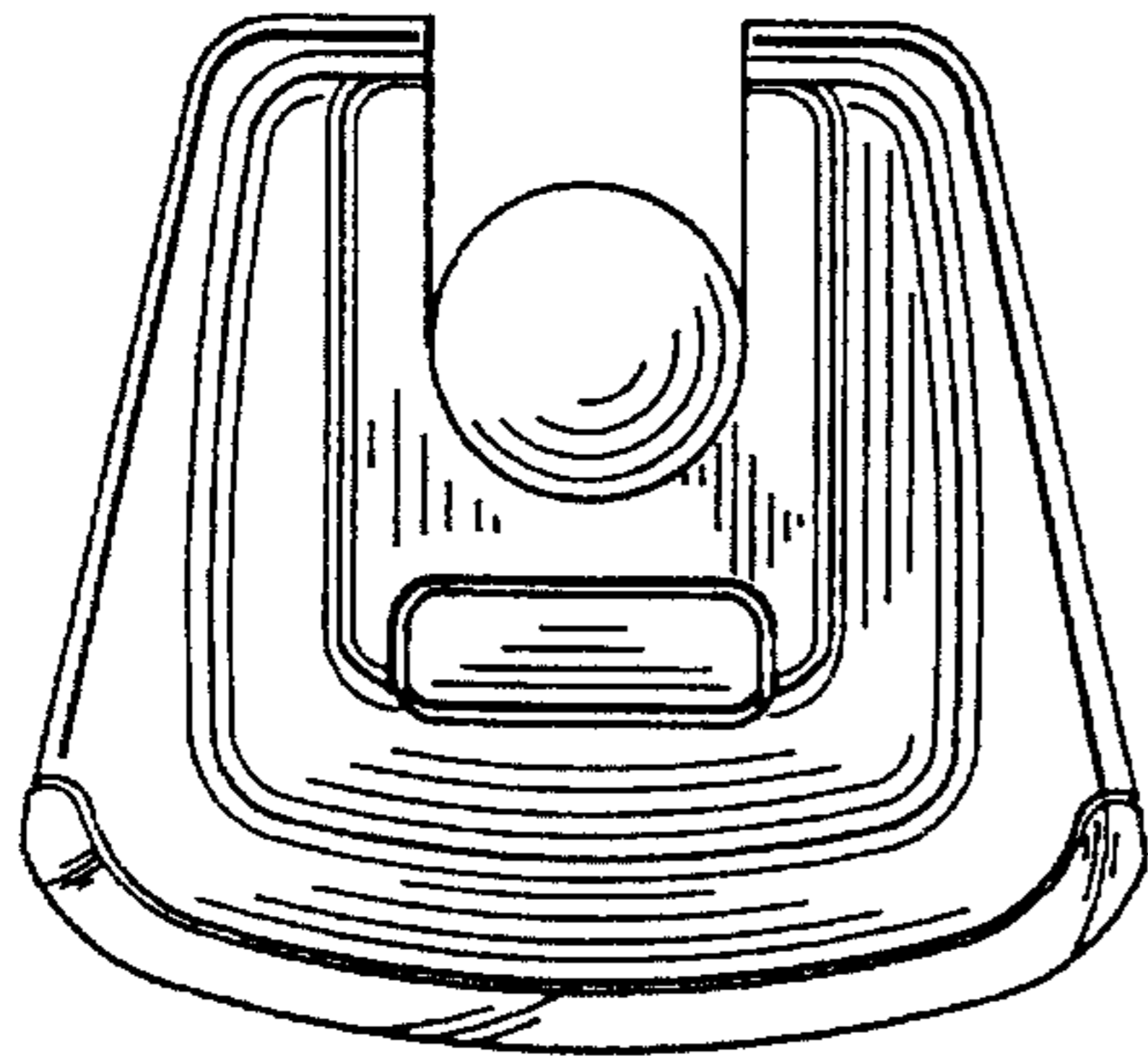


FIG. 4

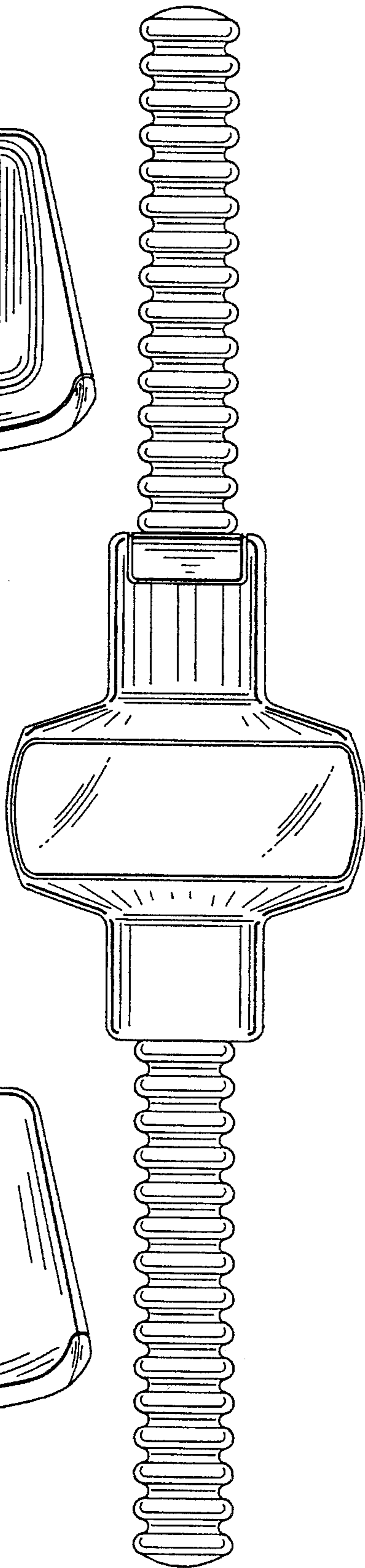


FIG. 5

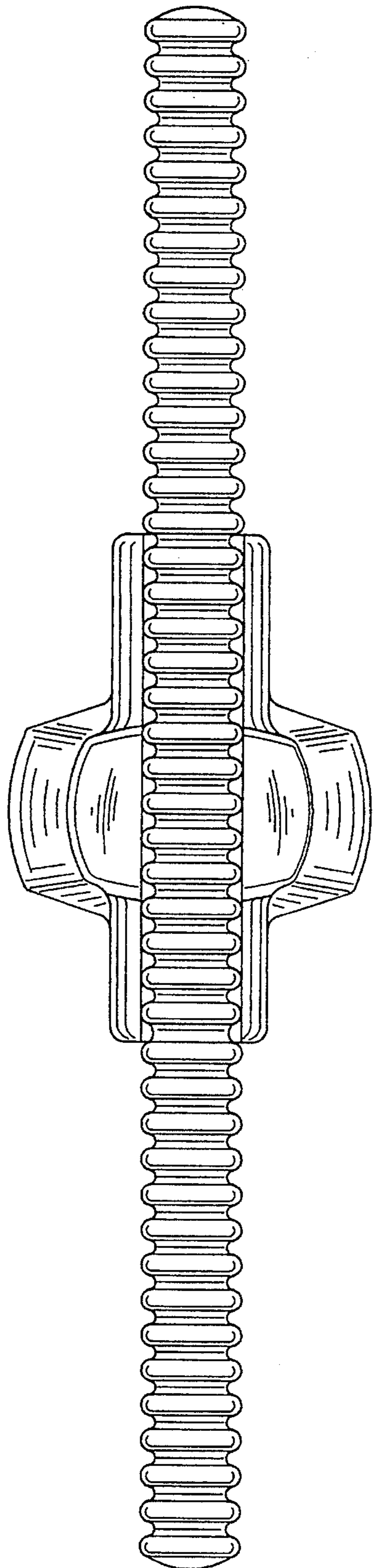


FIG. 3

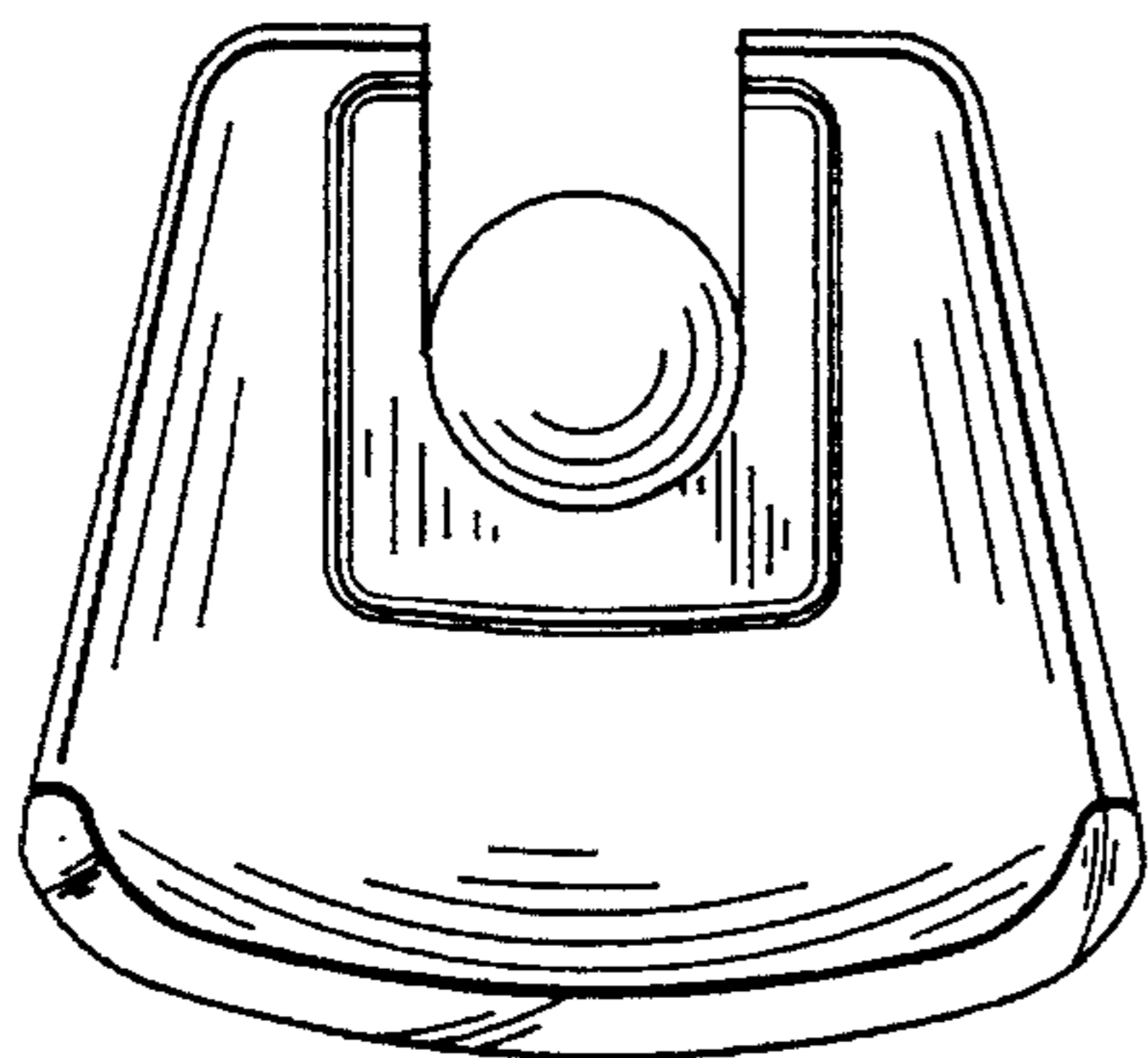


FIG. 6

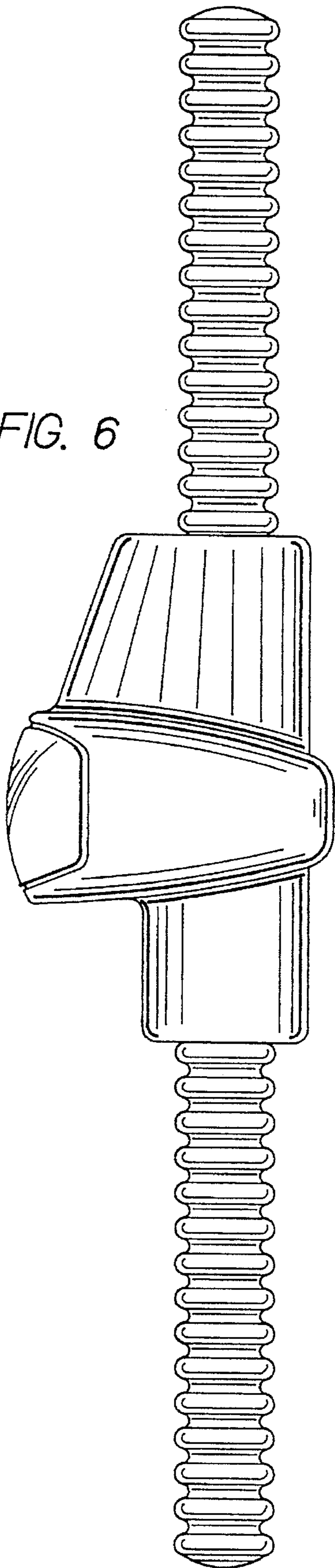


FIG. 7

