



US00D368539S

United States Patent [19]

[11] Patent Number: **Des. 368,539**

Carbone et al.

[45] Date of Patent: ***** Apr. 2, 1996**

[54] FLASHLIGHT

[75] Inventors: **Richard J. Carbone**, Southbury; **Bryan P. de Blois**, West Haven, both of Conn.

[73] Assignee: **Black & Decker Inc.**, Newark, Del.

[*] Notice: The portion of the term of this patent subsequent to Aug. 15, 2009, has been disclaimed.

[**] Term: **14 Years**

[21] Appl. No.: **30,722**

[22] Filed: **Nov. 7, 1994**

[52] U.S. Cl. **D26/43**

[58] Field of Search D26/37-50; 362/157, 362/158, 183, 184, 187-202

- D. 337,839 7/1993 Zeller .
- D. 338,542 8/1993 Yuen .
- D. 341,220 11/1993 Eagan .
- 1,692,394 11/1928 Sundh 362/198
- 2,467,954 4/1949 Becker .
- 2,581,129 1/1952 Muldoon .
- 2,648,762 8/1953 Dunkelberger .
- 3,103,723 9/1963 Becker .
- 3,111,277 11/1963 Grimsley .
- 3,393,311 7/1968 Dahl .
- 3,393,312 7/1968 Dahl .
- 3,731,084 5/1973 Trevorrow .
- 4,495,550 1/1985 Visciano .
- 4,839,599 6/1989 Fischer .
- 5,103,384 4/1992 Drohan .
- 5,154,483 10/1992 Glassford .
- 5,163,752 11/1992 Drohan .
- 5,268,826 12/1992 Greene .
- 5,276,596 1/1994 Krenzel .

Primary Examiner—Susan J. Lucas
Attorney, Agent, or Firm—Barry E. Deutsch

[56] References Cited

U.S. PATENT DOCUMENTS

- D. 147,258 8/1947 Becker .
- D. 152,584 2/1949 Becker .
- D. 166,073 3/1952 Dunkelberger .
- D. 190,295 5/1961 Becker et al. .
- D. 192,935 5/1962 Becker et al. .
- D. 240,322 6/1976 Staub .
- D. 281,820 12/1985 Oba et al. .
- D. 283,645 4/1986 Tanaka et al. .
- D. 302,325 7/1989 Charet et al. .
- D. 304,089 10/1989 Wan .
- D. 306,351 2/1990 Charet et al. .
- D. 314,246 1/1991 Bache .
- D. 321,062 10/1991 Bonbright .
- D. 322,681 12/1991 Yuen .
- D. 328,146 7/1992 Sinsteden .
- D. 329,504 9/1992 Yuen .

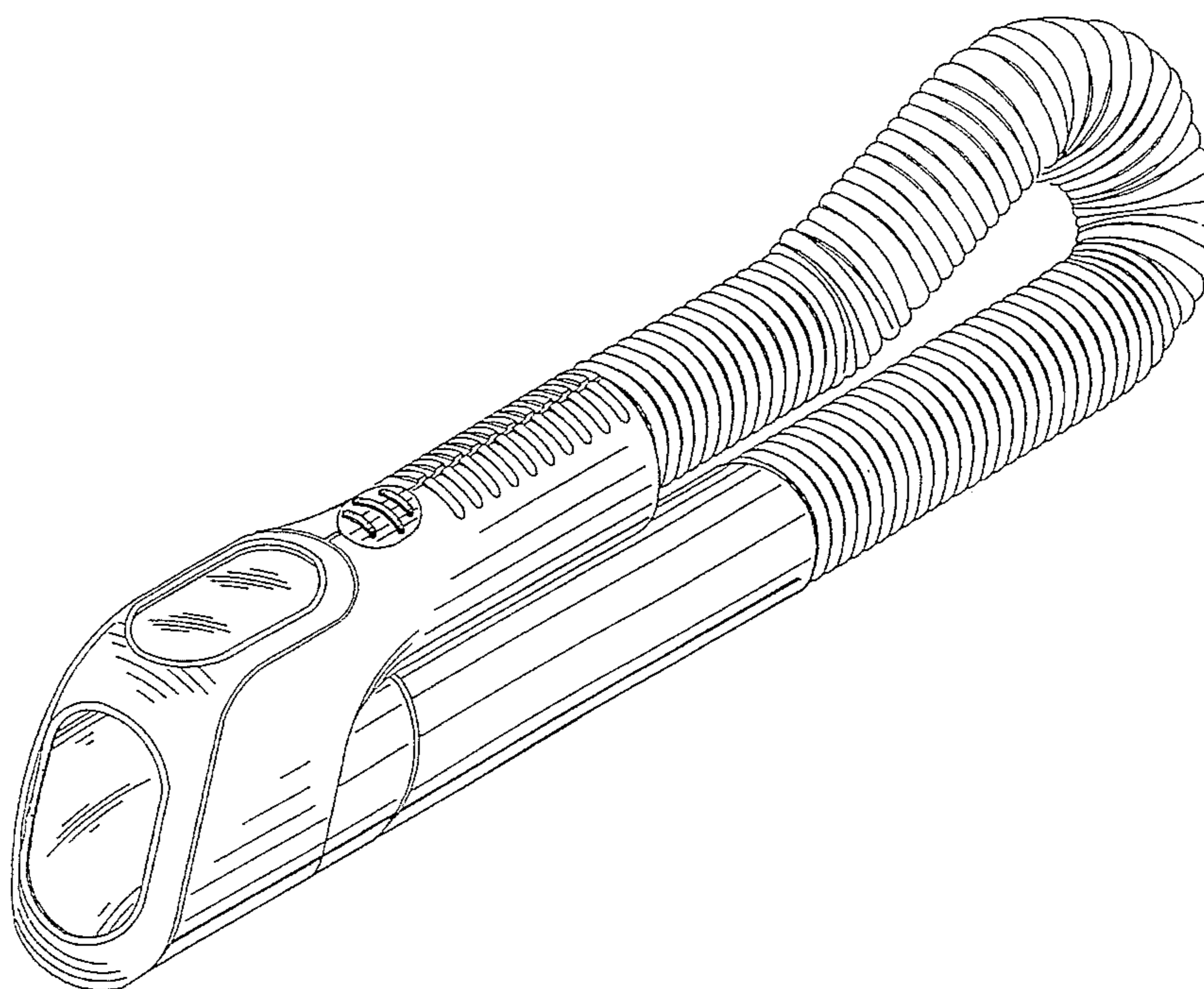
[57] CLAIM

The ornamental design for a flashlight, as shown and described.

DESCRIPTION

FIG. 1 is a perspective view of a flashlight taken from the front, top and right side thereof showing our new design; FIG. 2 is a right side elevational view thereof; FIG. 3 is a left side elevational view thereof; FIG. 4 is a top plan view thereof; FIG. 5 is a bottom plan view thereof; FIG. 6 is a front elevational view thereof; and, FIG. 7 is a rear elevational view thereof.

1 Claim, 3 Drawing Sheets



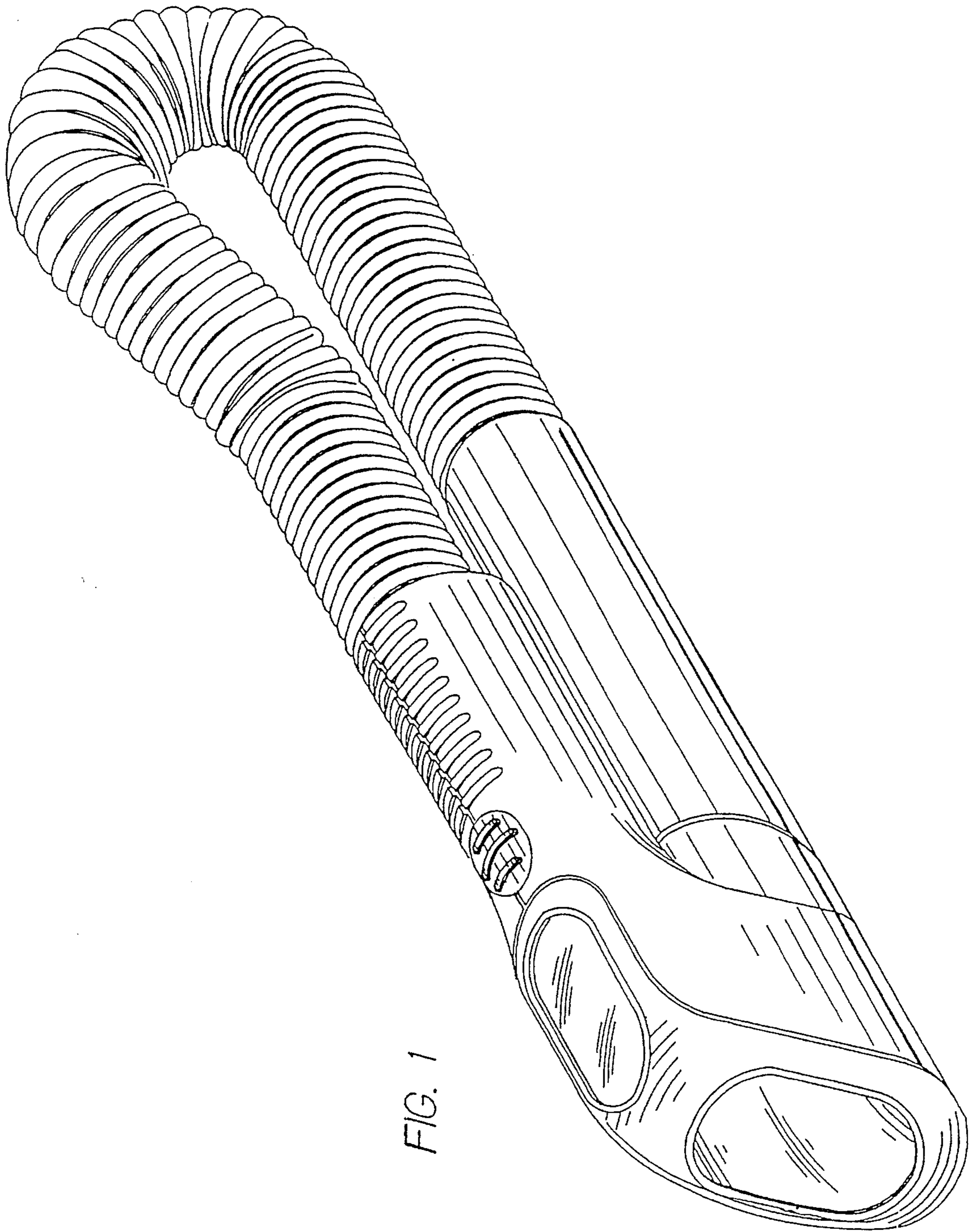


FIG. 1

FIG. 2

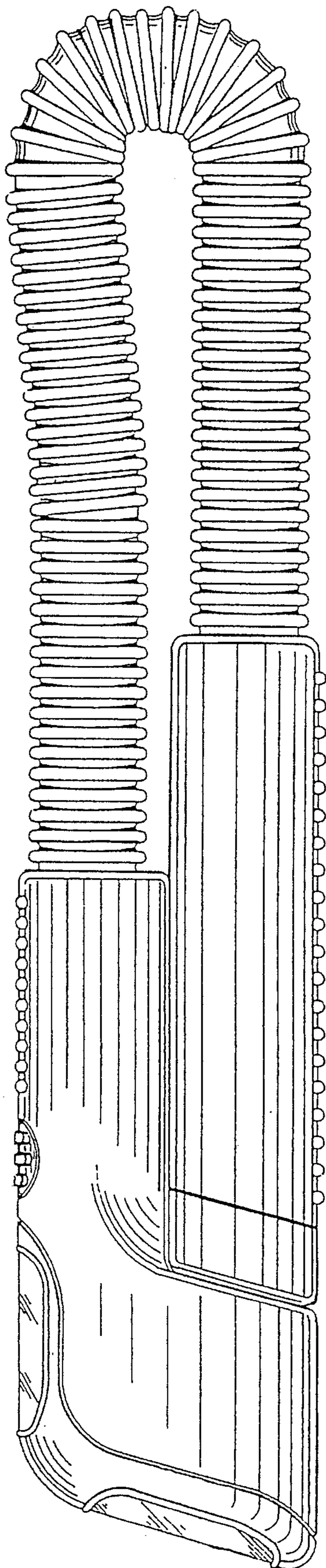


FIG. 3

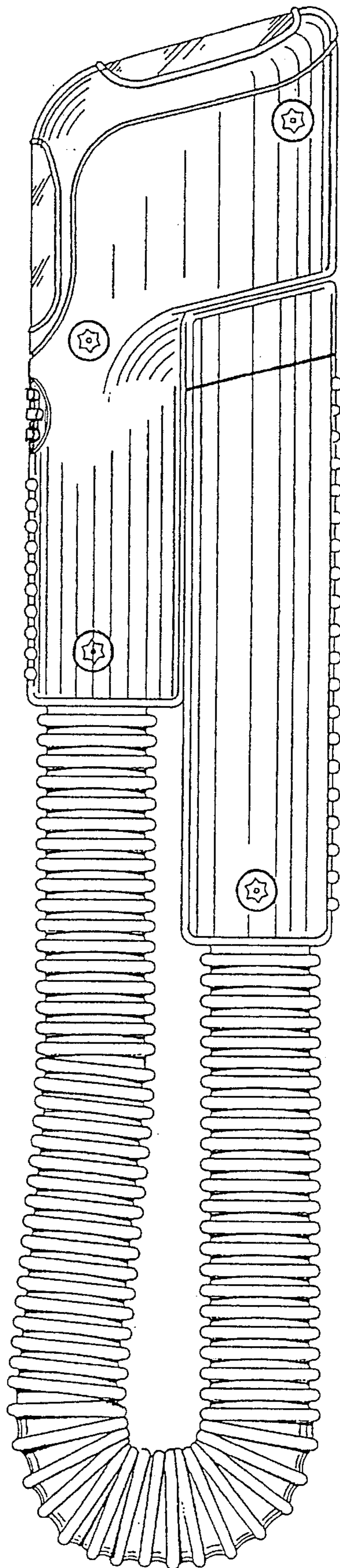


FIG. 4

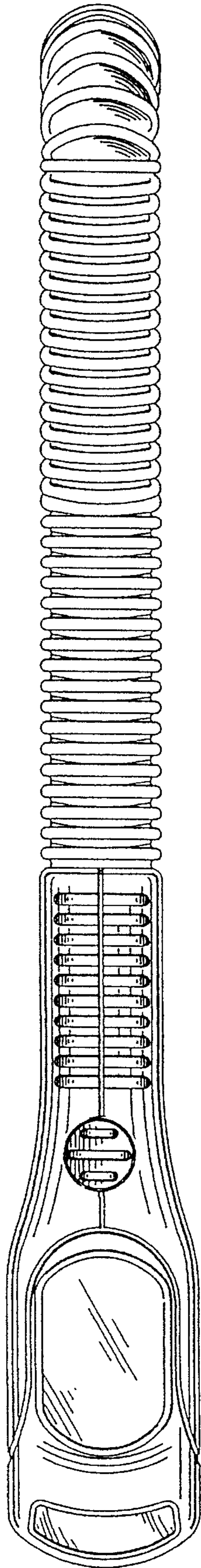


FIG. 5

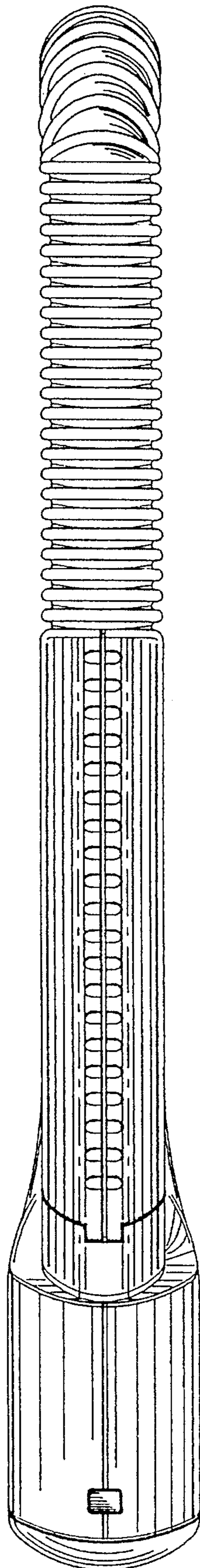


FIG. 6

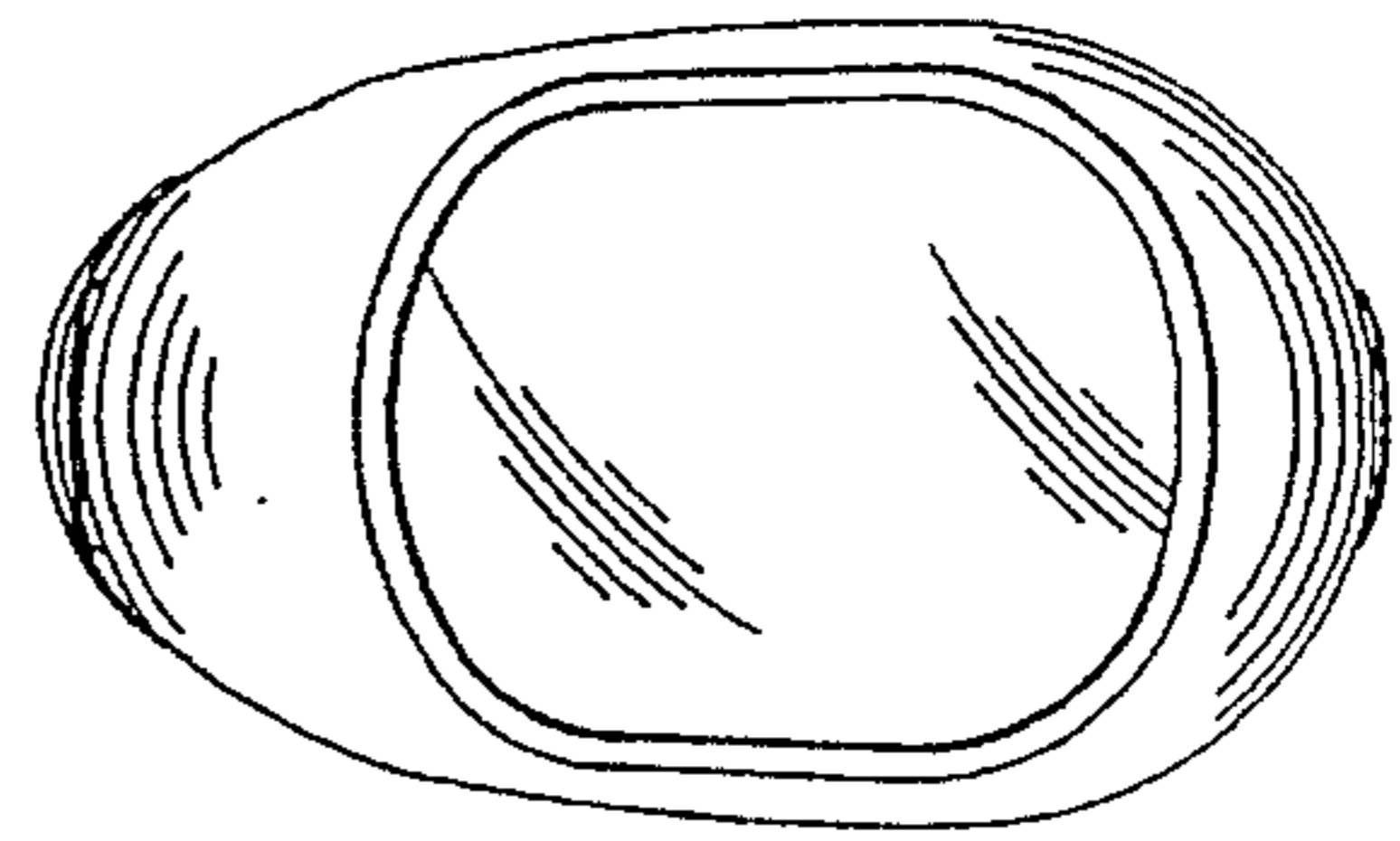


FIG. 7

