



US00D368534S

United States Patent [19]
McGovern

[11] **Patent Number: Des. 368,534**

[45] **Date of Patent: **Apr. 2, 1996**

[54] **INTERLOCKING THERMAL BREAKER
EXTRUSION**

D. 346,032 4/1994 Colson D25/119
4,606,147 8/1986 DeWitt et al. D25/119 X

[75] Inventor: **Christopher McGovern**, Allentown,
N.J.

Primary Examiner—Antoine Duval Davis
Attorney, Agent, or Firm—Sperry, Zoda & Kane

[73] Assignee: **Delaware Capital Formation Inc.**,
Wilmington, Del.

[57] **CLAIM**

[**] Term: **14 Years**

The ornamental design for an interlocking thermal breaker
extrusion, as shown and described.

[21] Appl. No.: **31,069**

DESCRIPTION

[22] Filed: **Nov. 17, 1994**

FIG. 1 is a perspective illustration embodying my new
design;

[52] U.S. Cl. **D25/119**

FIG. 2 is a three-quarter perspective illustration embodying
my new design;

[58] **Field of Search** D25/119; 49/504;
52/716.1, 717.2, 730.1, 730.2, 730.3, 730.4,
730.5, 730.6

FIG. 3 is a top plan view;

FIG. 4 is a left plan view; the opposite view being identical;

FIG. 5 is a front plan view;

FIG. 6 is a bottom plan view; and,

FIG. 7 is a right plan view.

[56] **References Cited**

U.S. PATENT DOCUMENTS

D. 228,177 8/1973 LaBorde D25/119
D. 228,178 8/1973 LaBorde D25/119

1 Claim, 2 Drawing Sheets

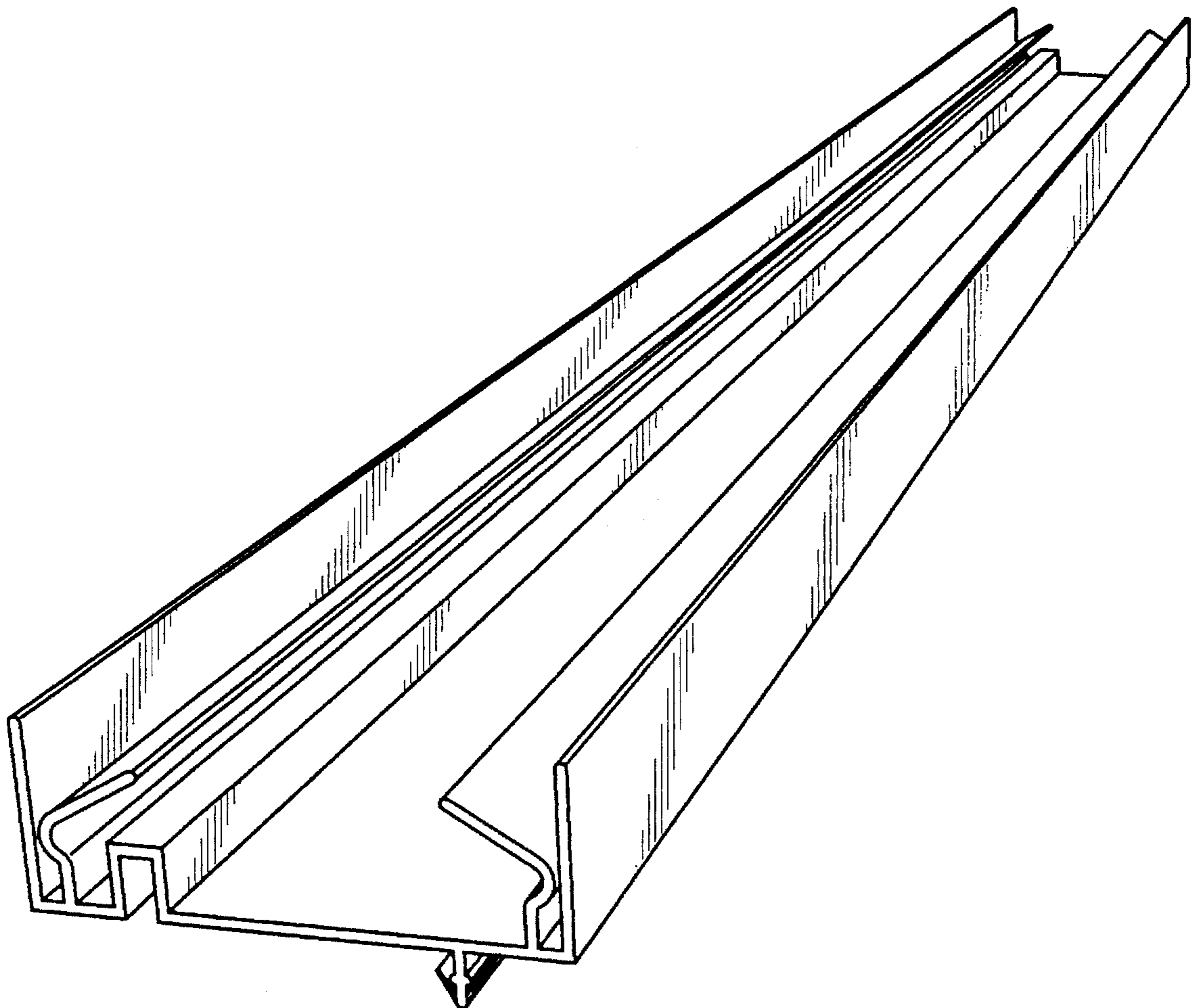


FIG. 1

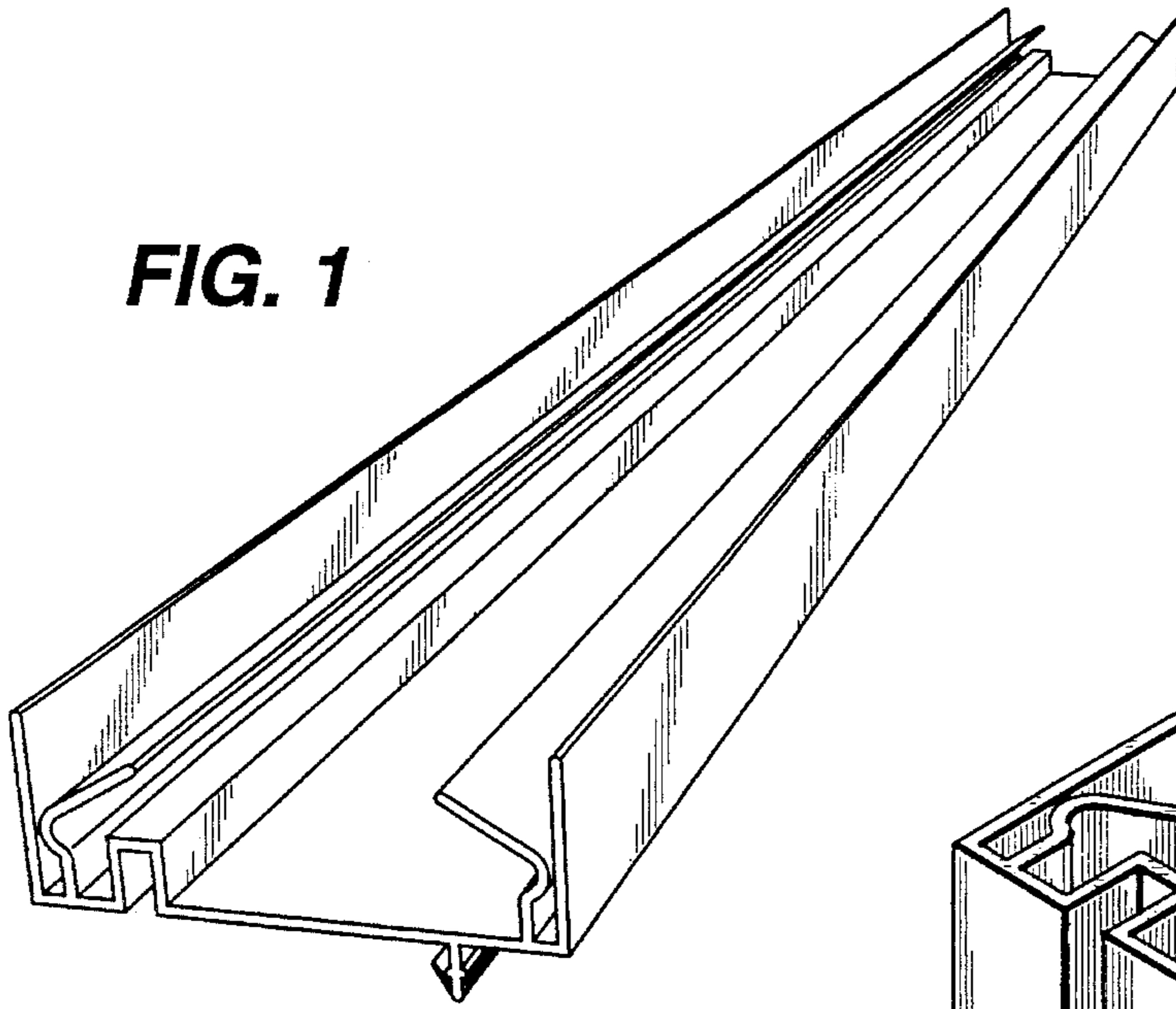


FIG. 2

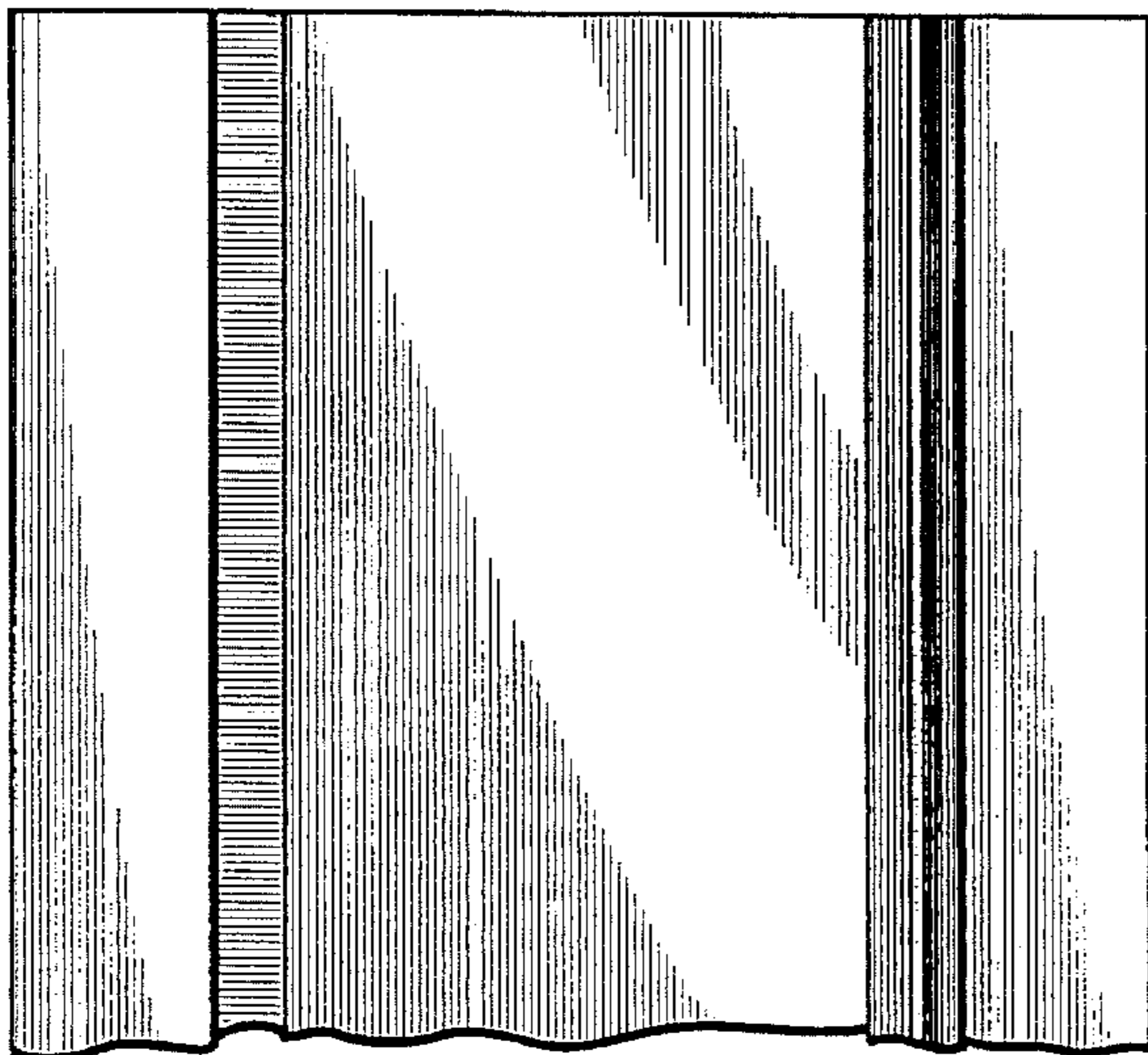
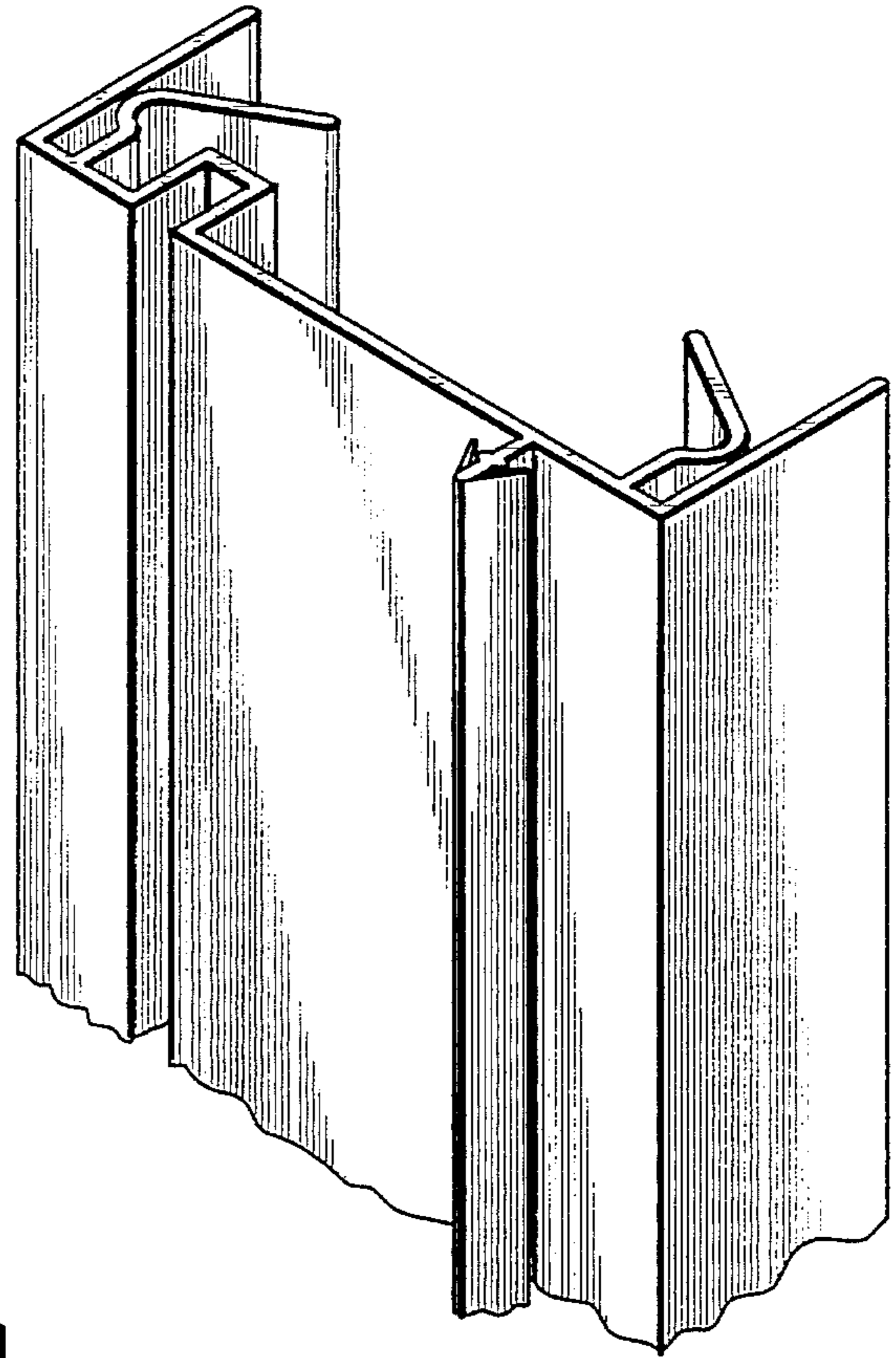


FIG. 3

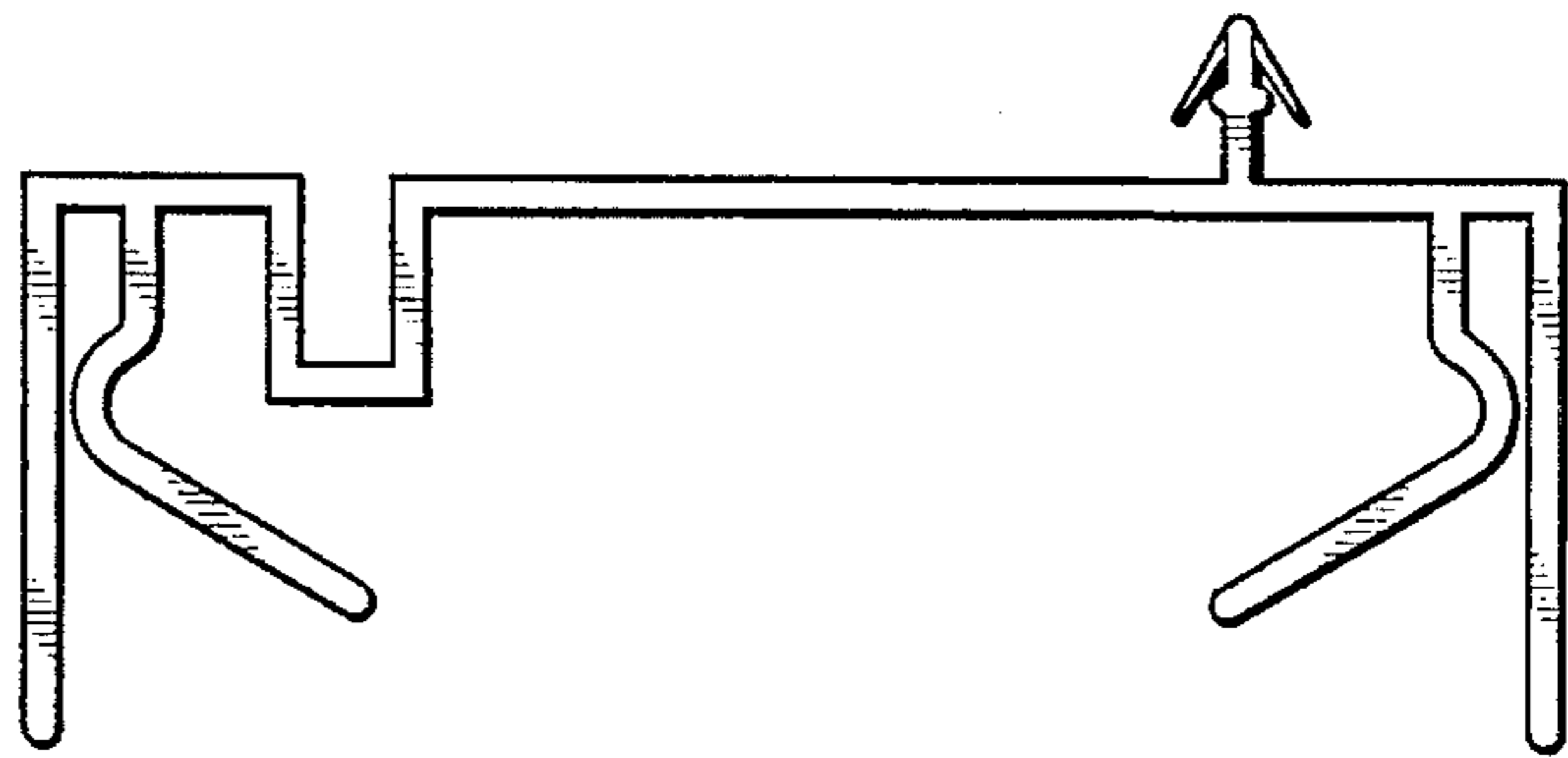


FIG. 4

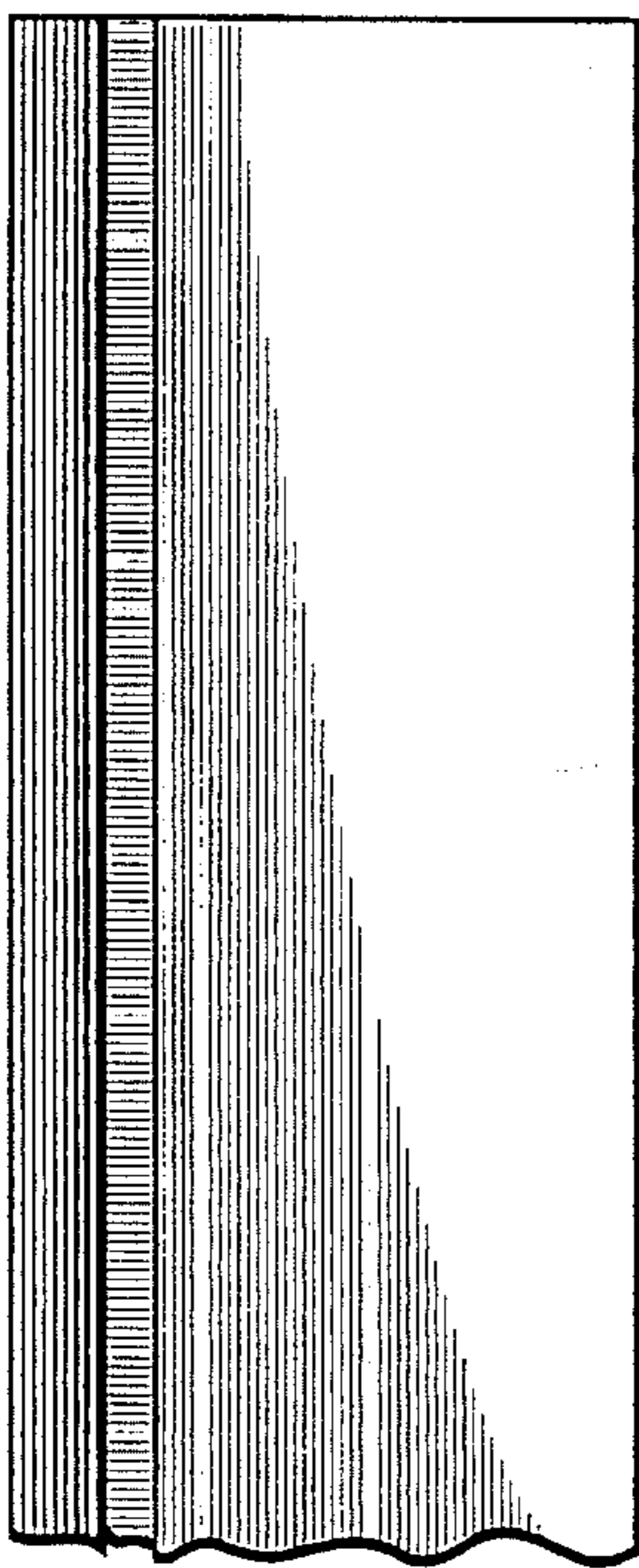


FIG. 5

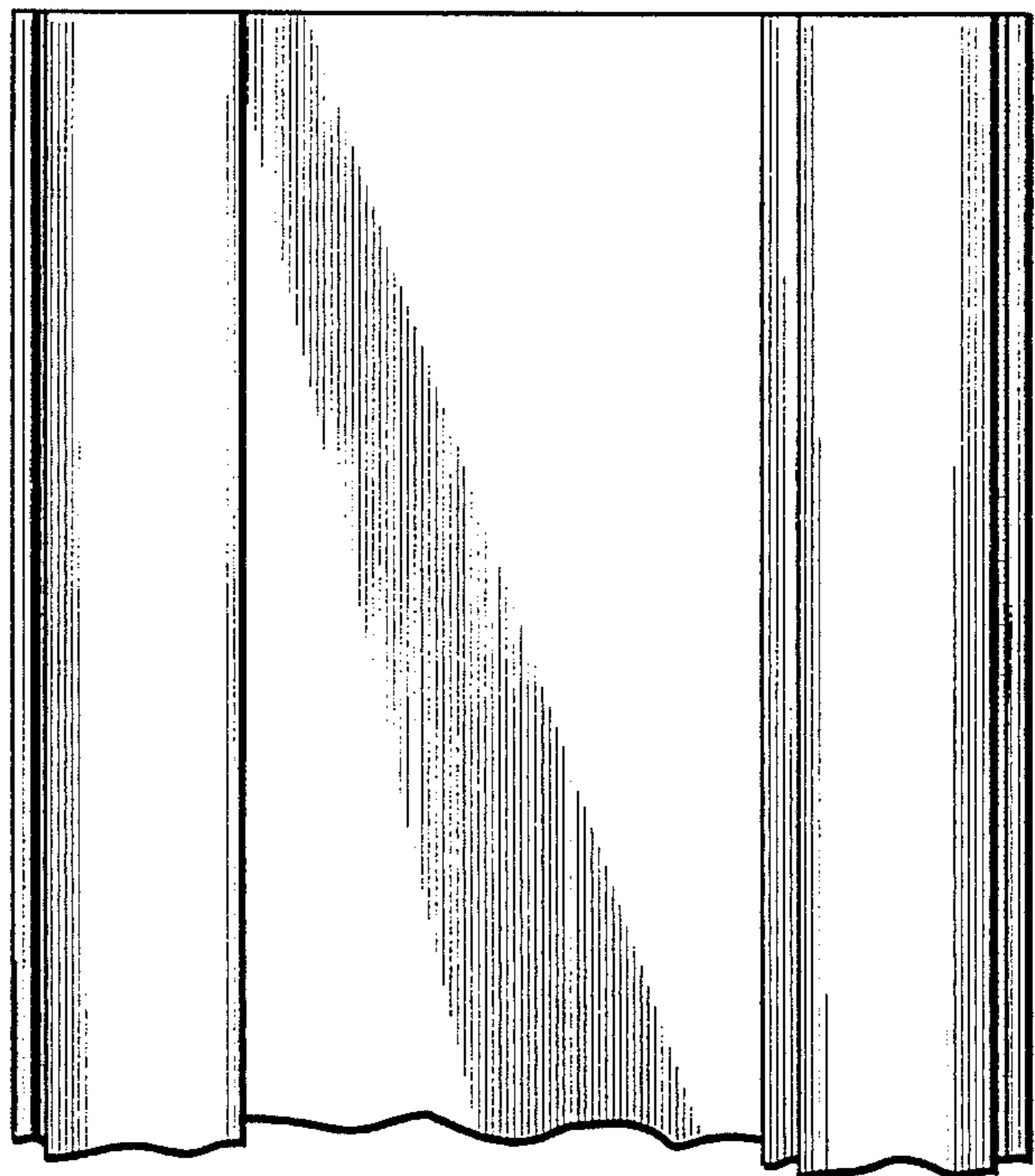


FIG. 6

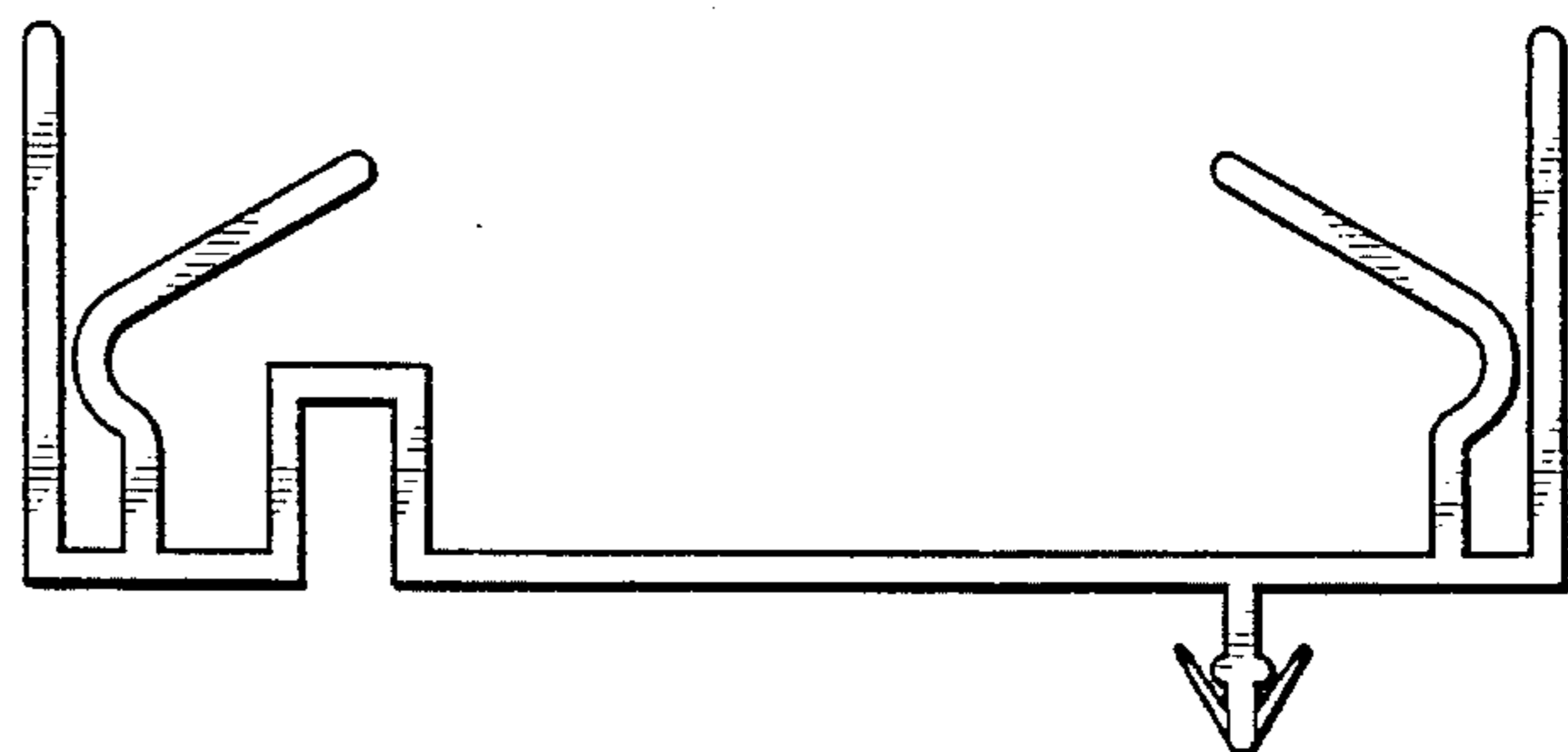


FIG. 7