



US00D368533S

United States Patent [19] Wright

[11] Patent Number: **Des. 368,533**

[45] Date of Patent: ****Apr. 2, 1996**

[54] **GLASS BLOCK FRAME**

[75] Inventor: **Brian C. Wright**, Snohomish, Wash.

[73] Assignee: **Seattle Glass Block Windows, Inc.**,
Seattle, Wash.

[**] Term: **14 Years**

[21] Appl. No.: **28,301**

[22] Filed: **Sep. 12, 1994**

[52] U.S. Cl. **D25/60**

[58] Field of Search **D25/60; 52/306,**
52/307, 308, DIG. 17, 474

[56] **References Cited**

U.S. PATENT DOCUMENTS

D. 211,457	6/1968	Anderson	D25/60
D. 223,487	4/1972	Brashear	D25/60
3,987,597	10/1976	Smrt	52/DIG. 17
5,031,372	7/1991	McCluer	52/307
5,042,210	8/1991	Taylor	52/307
5,259,161	11/1993	Carter	52/307
5,297,371	3/1994	Borghetto	52/308

Primary Examiner—Doris Clark

Attorney, Agent, or Firm—Graybeal Jackson Haley &
Johnson

[57] **CLAIM**

The ornamental design for a glass block frame, as shown and described.

DESCRIPTION

FIG. 1 is a front perspective view of a glass block frame showing my new design, the rear being substantially the same as the rear of the glass block frame in FIG. 2;

FIG. 2 is a rear perspective view of a second embodiment of a glass block frame showing my new design, the front being substantially the same as the front of the glass block frame in FIG. 1;

FIG. 3 is a fragmentary perspective view of the front frame member shown in FIG. 1, the remaining frame members being identical thereto, and the frame members in FIG. 2 are substantially the same as the frame members in FIG. 1;

FIG. 4 is a fragmentary front elevational view thereof;

FIG. 5 is a fragmentary rear elevational view thereof;

FIG. 6 is a fragmentary right side elevational view thereof;

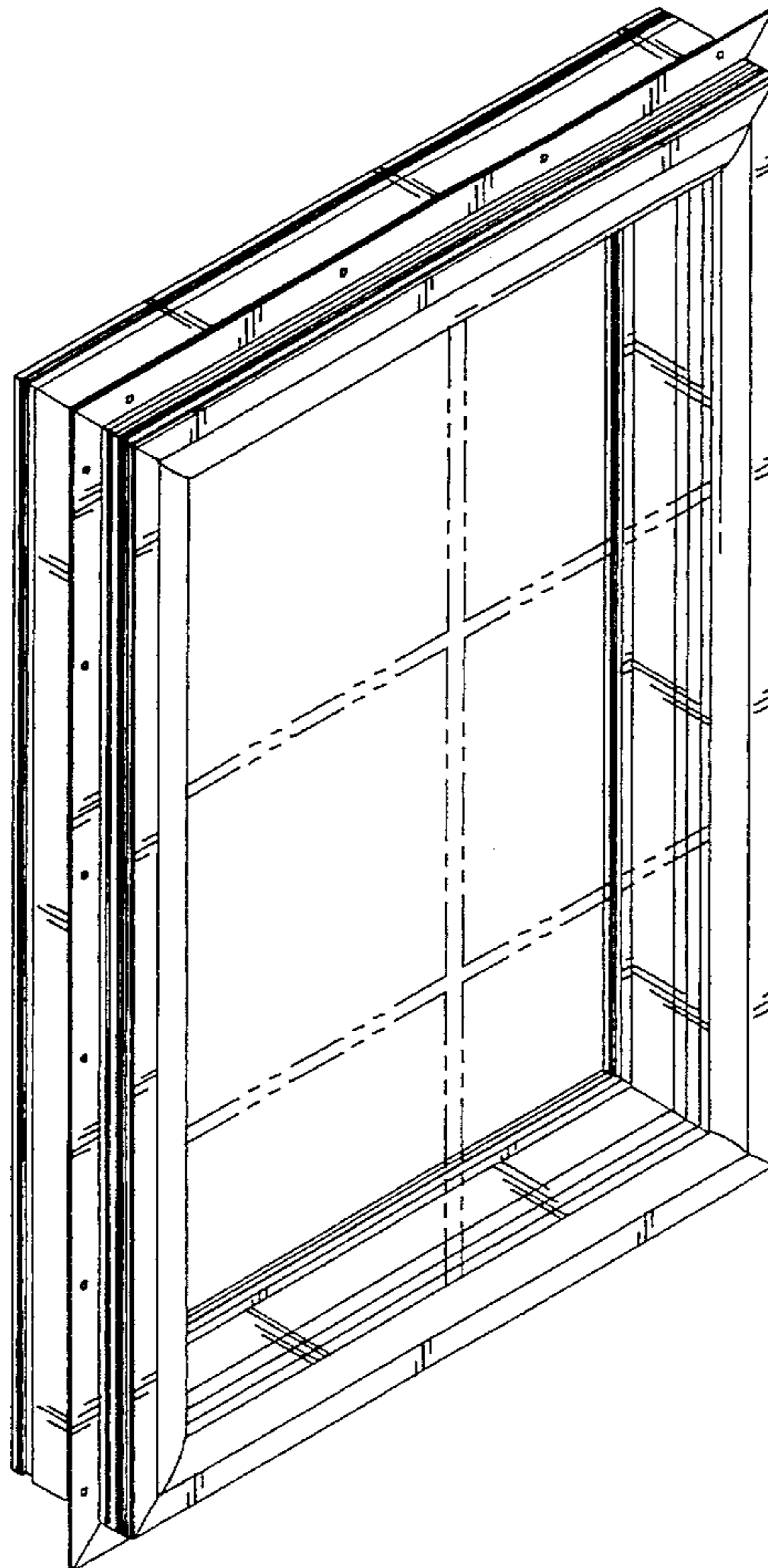
FIG. 7 is a fragmentary left side elevational view thereof;

FIG. 8 is a top plan view thereof; and,

FIG. 9 is a bottom plan view thereof.

The broken line showing of glass blocks is for illustrative purposes only and forms no part of the claimed design.

1 Claim, 3 Drawing Sheets



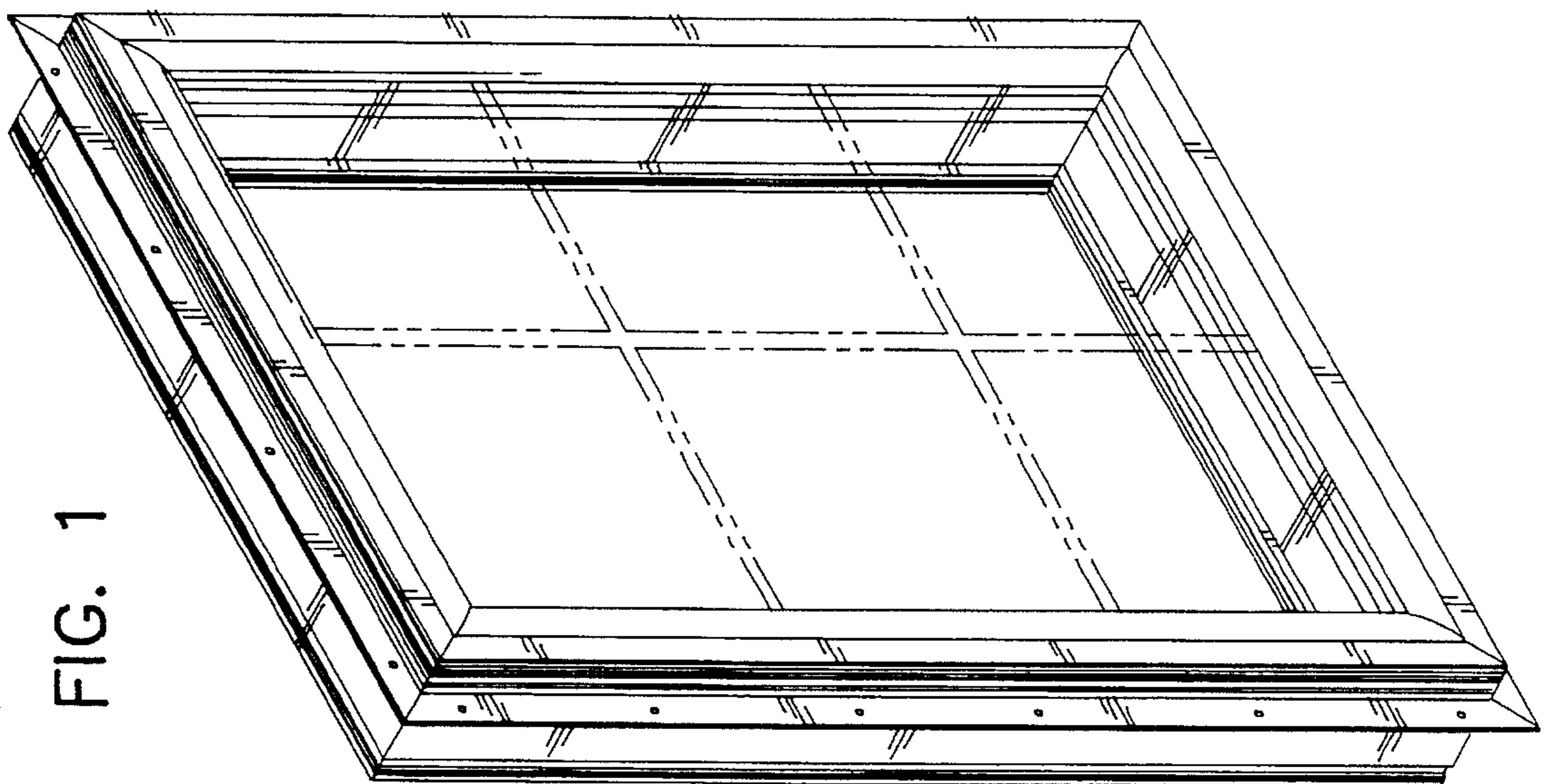
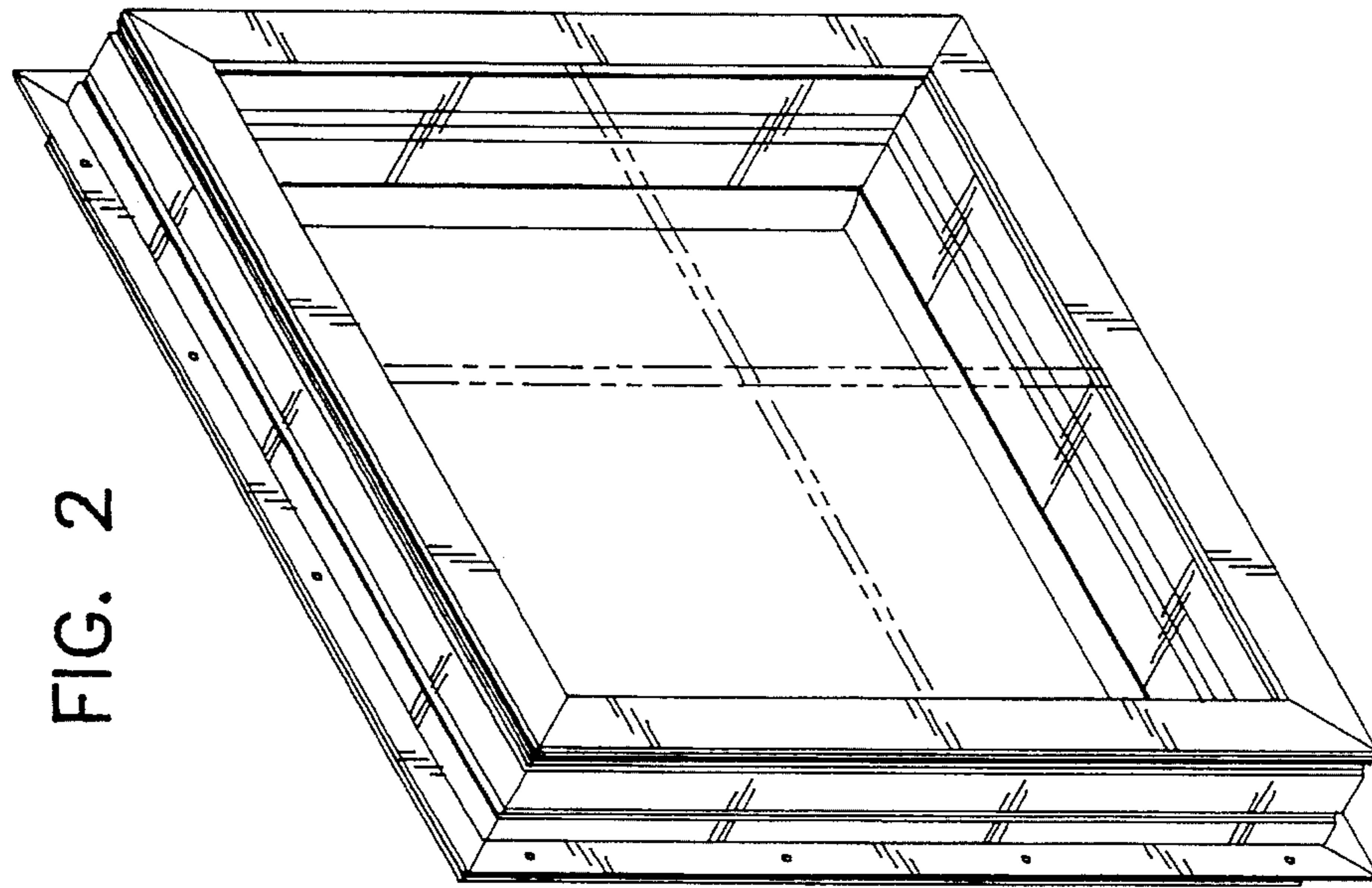


FIG. 1

FIG. 2

FIG. 3

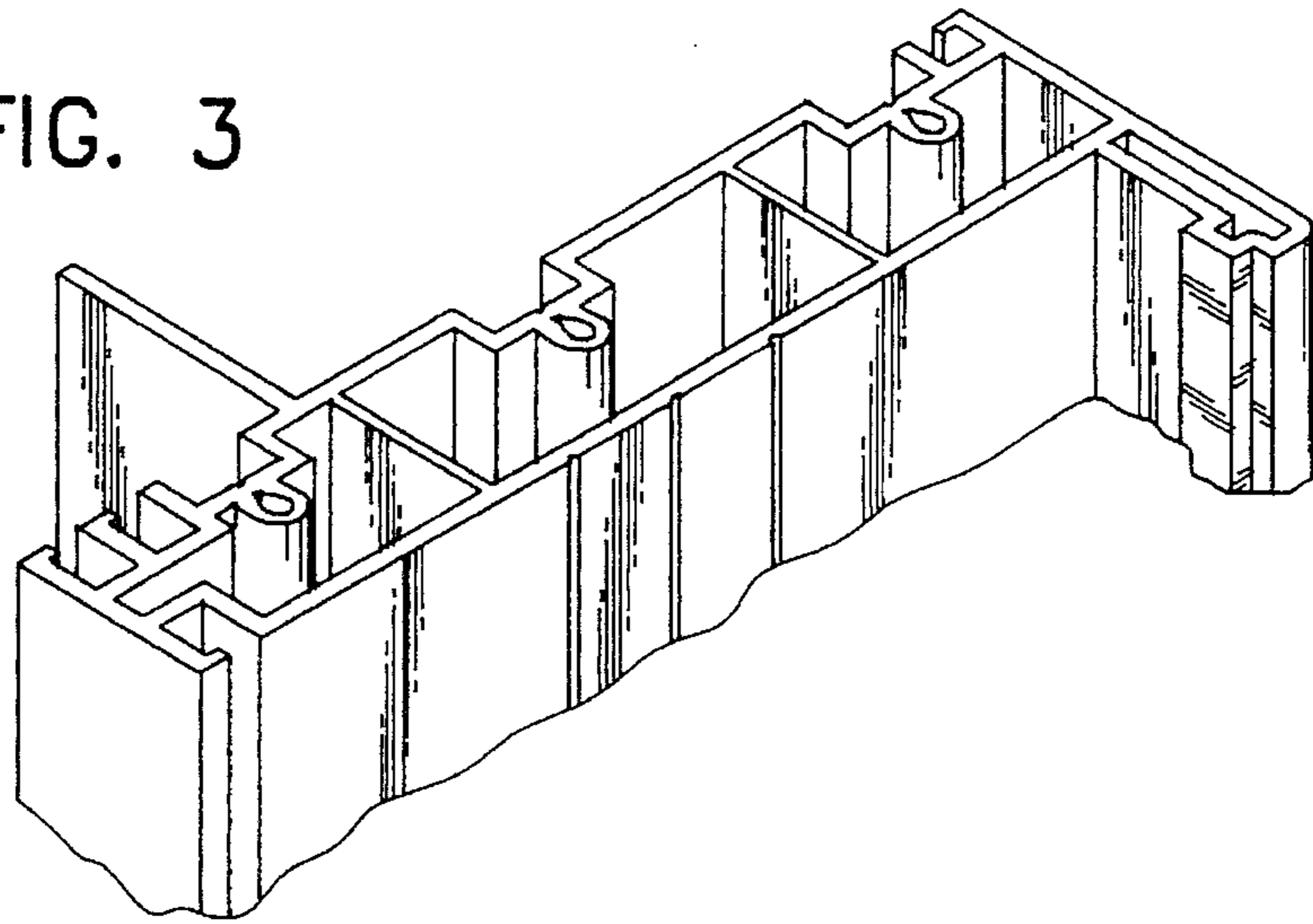


FIG. 4

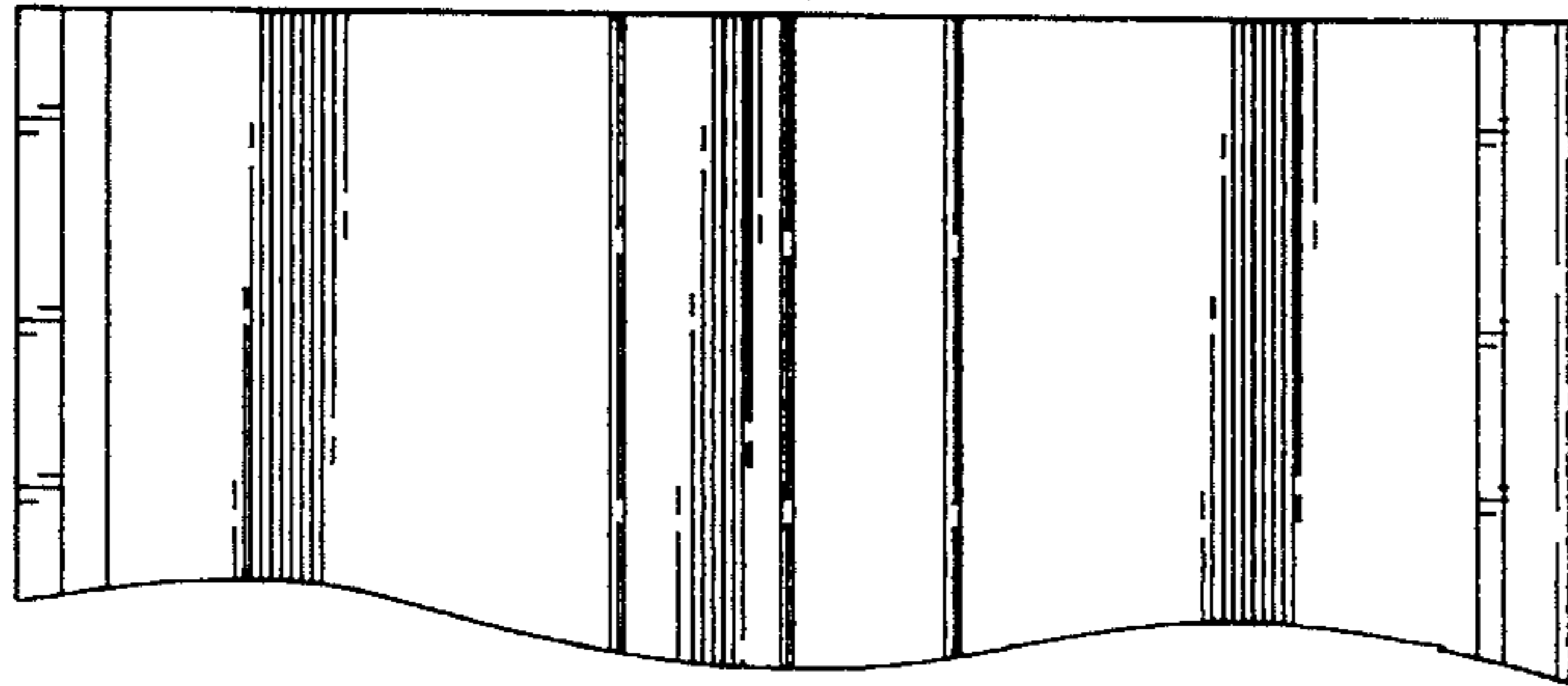


FIG. 5

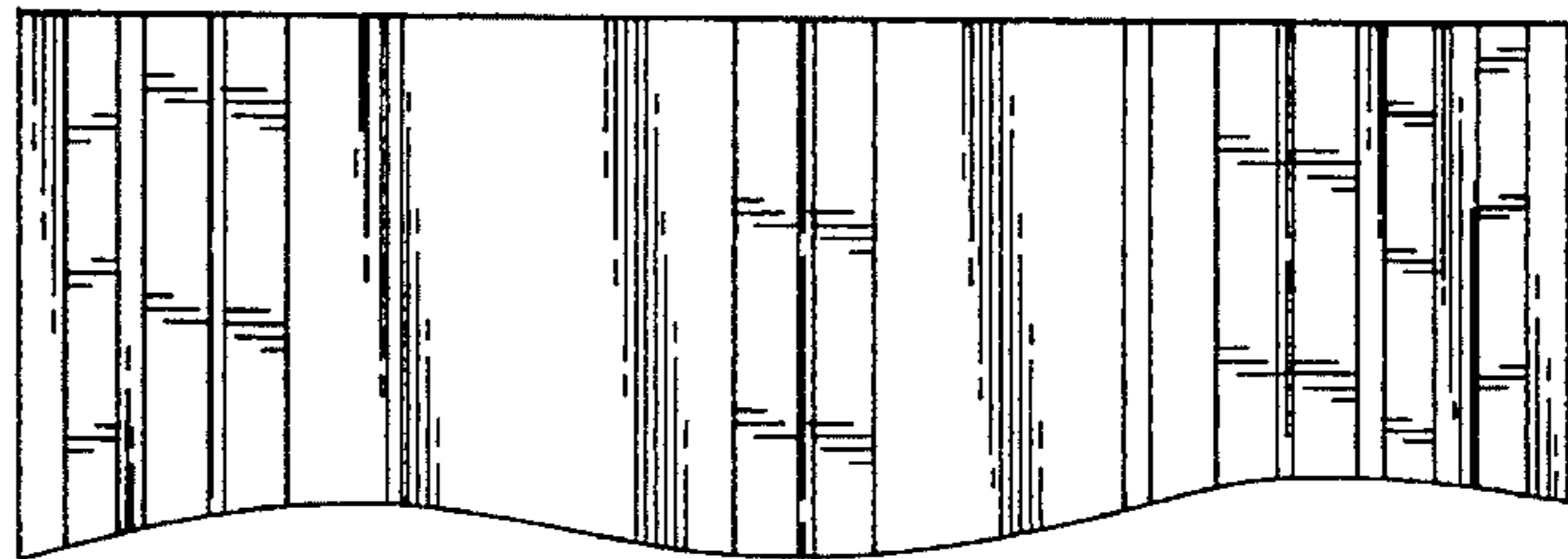


FIG. 6

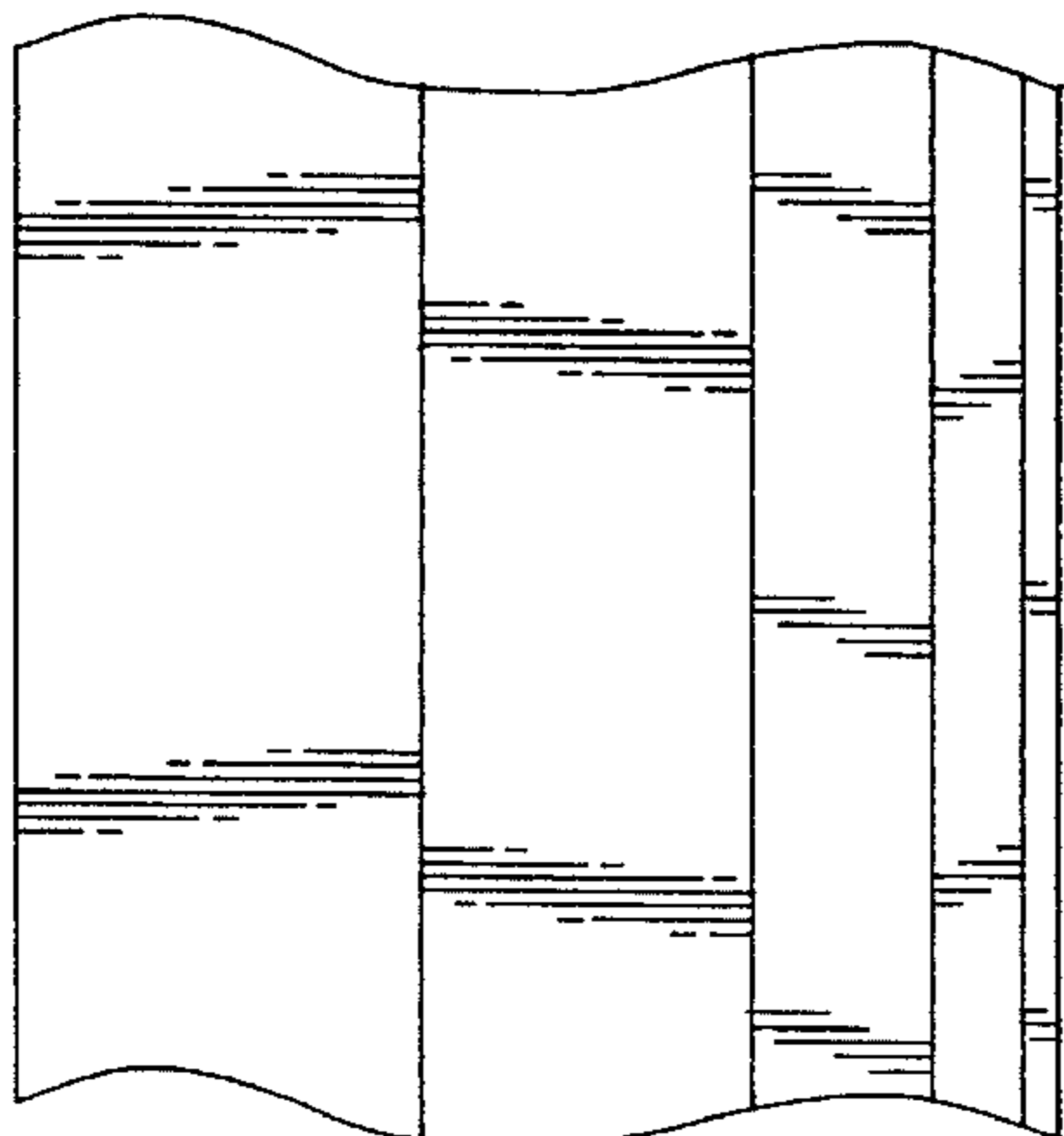


FIG. 7

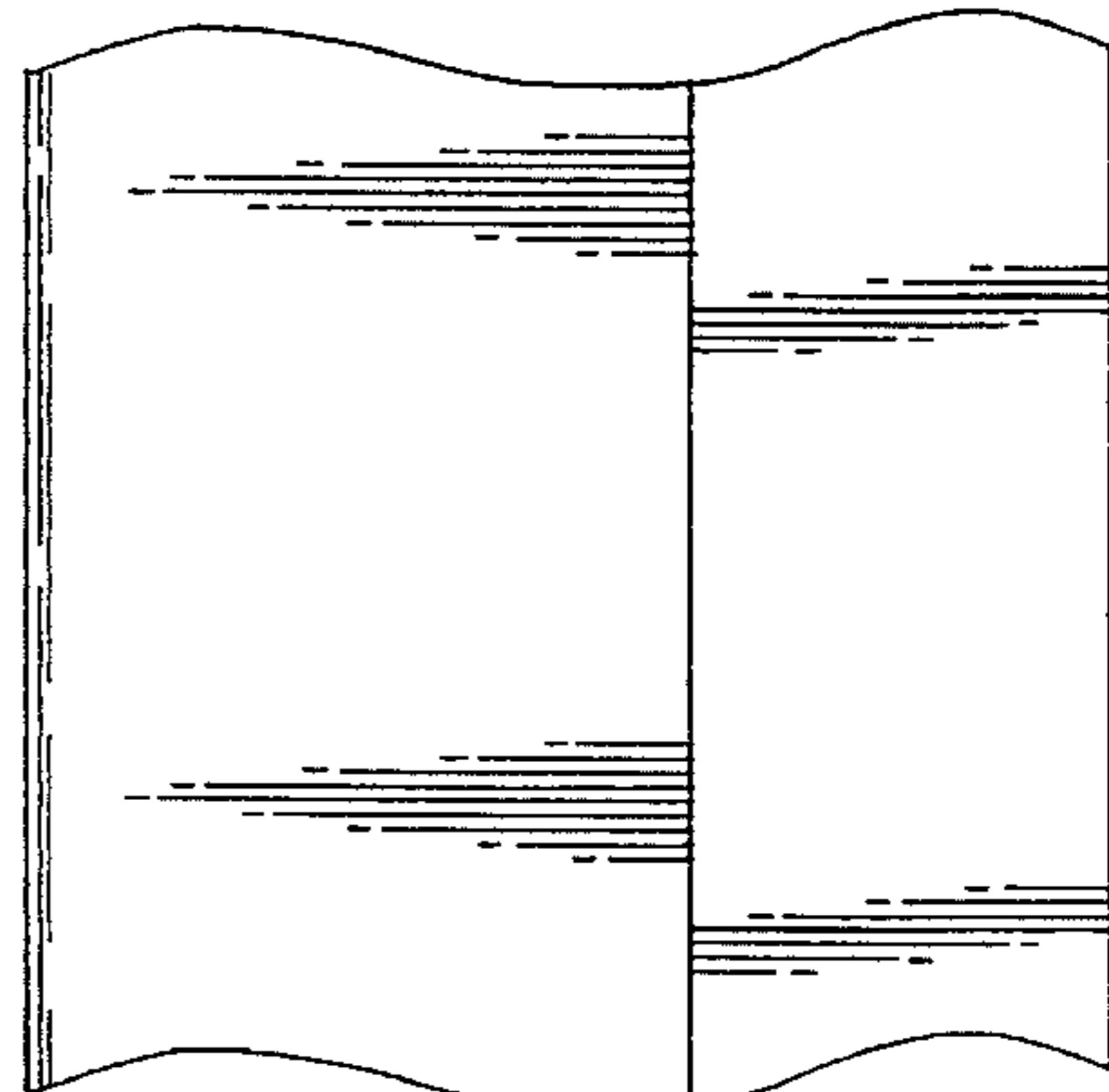


FIG. 8

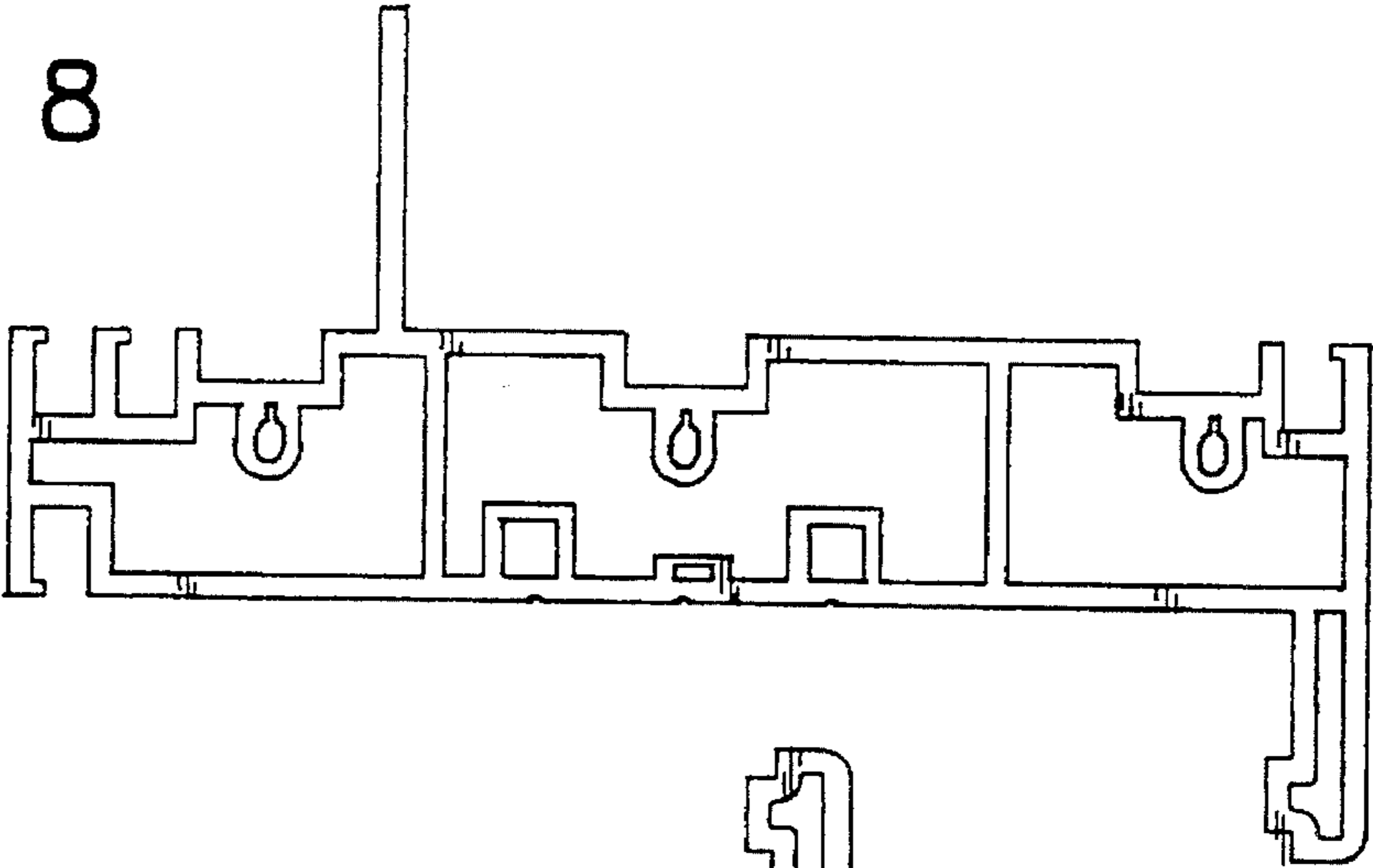


FIG. 9

