



US00D368532S

# United States Patent [19]

Jonkman et al.

[11] Patent Number: **Des. 368,532**

[45] Date of Patent: **\*\*Apr. 2, 1996**

[54] **SURGICAL TOOL HOLDER**

5,137,151 8/1992 Choate ..... D24/228 X

[75] Inventors: **Libbe J. Jonkman**, Drachten; **Jacob Wilkens**, Groningen, both of Netherlands

*Primary Examiner*—Louis S. Zarfaz  
*Assistant Examiner*—I. Simmons  
*Attorney, Agent, or Firm*—Kinney & Lange

[73] Assignee: **I.M.P. Holding B.V.**, Paterswolde, Netherlands

[57] **CLAIM**

[\*\*] Term: **14 Years**

The ornamental design for a surgical tool holder, as shown and described.

[21] Appl. No.: **28,432**

**DESCRIPTION**

[22] Filed: **Sep. 14, 1994**

FIG. 1 is a view in perspective of a surgical tool holder in upright position;  
FIG. 2 is a view in front elevation of the surgical tool holder;  
FIG. 3 is a view in rear elevation of the surgical tool holder;  
FIG. 4 is a view in side elevation of one end of the surgical tool holder;  
FIG. 5 is a view in side elevation of an end opposite the end shown in FIG. 4;  
FIG. 6 is a view in top plan of the surgical tool holder;  
FIG. 7 is a view in bottom plan of the surgical tool holder;  
and,  
FIG. 8 is a view in perspective similar to FIG. 1 of the surgical tool holder in an alternate position.

[30] **Foreign Application Priority Data**

Mar. 17, 1994 [NL] Netherlands ..... DM/029049

[52] U.S. Cl. .... **D24/227; D24/229**

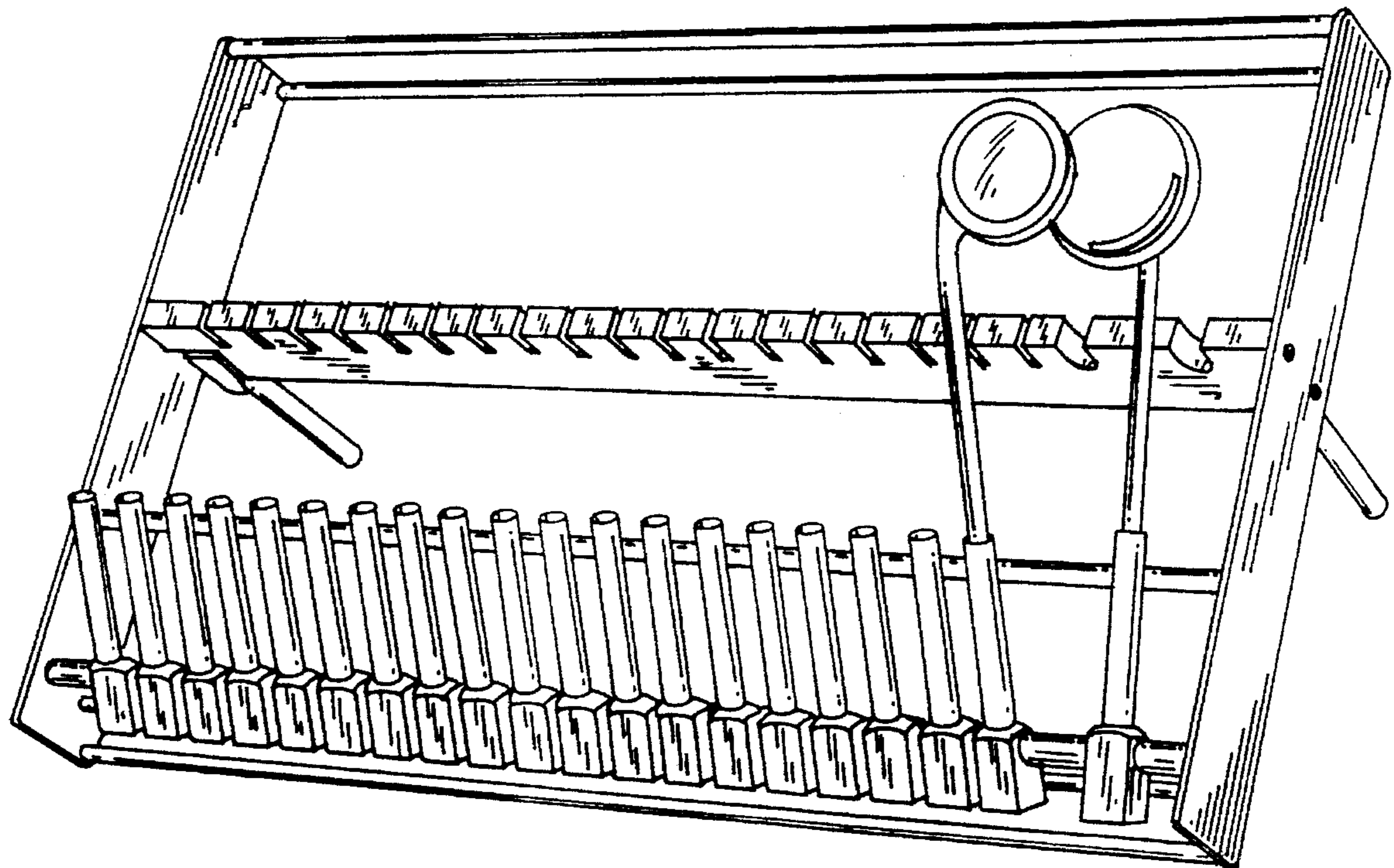
[58] Field of Search ..... D24/227, 230,  
D24/229; 200/557, 562, 379; 422/104;  
211/69, 71, 73, 74, 60.1, 60

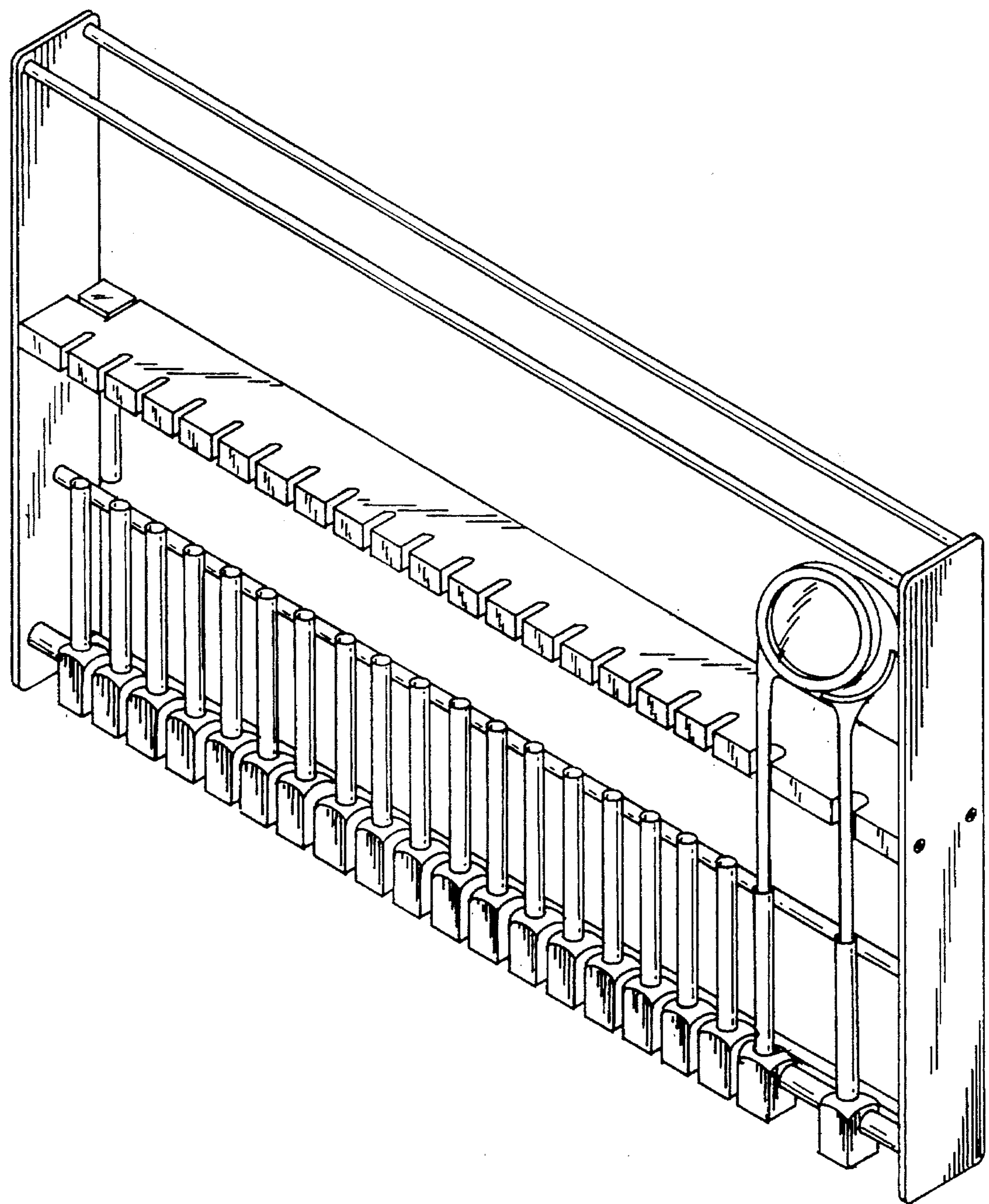
[56] **References Cited**

**U.S. PATENT DOCUMENTS**

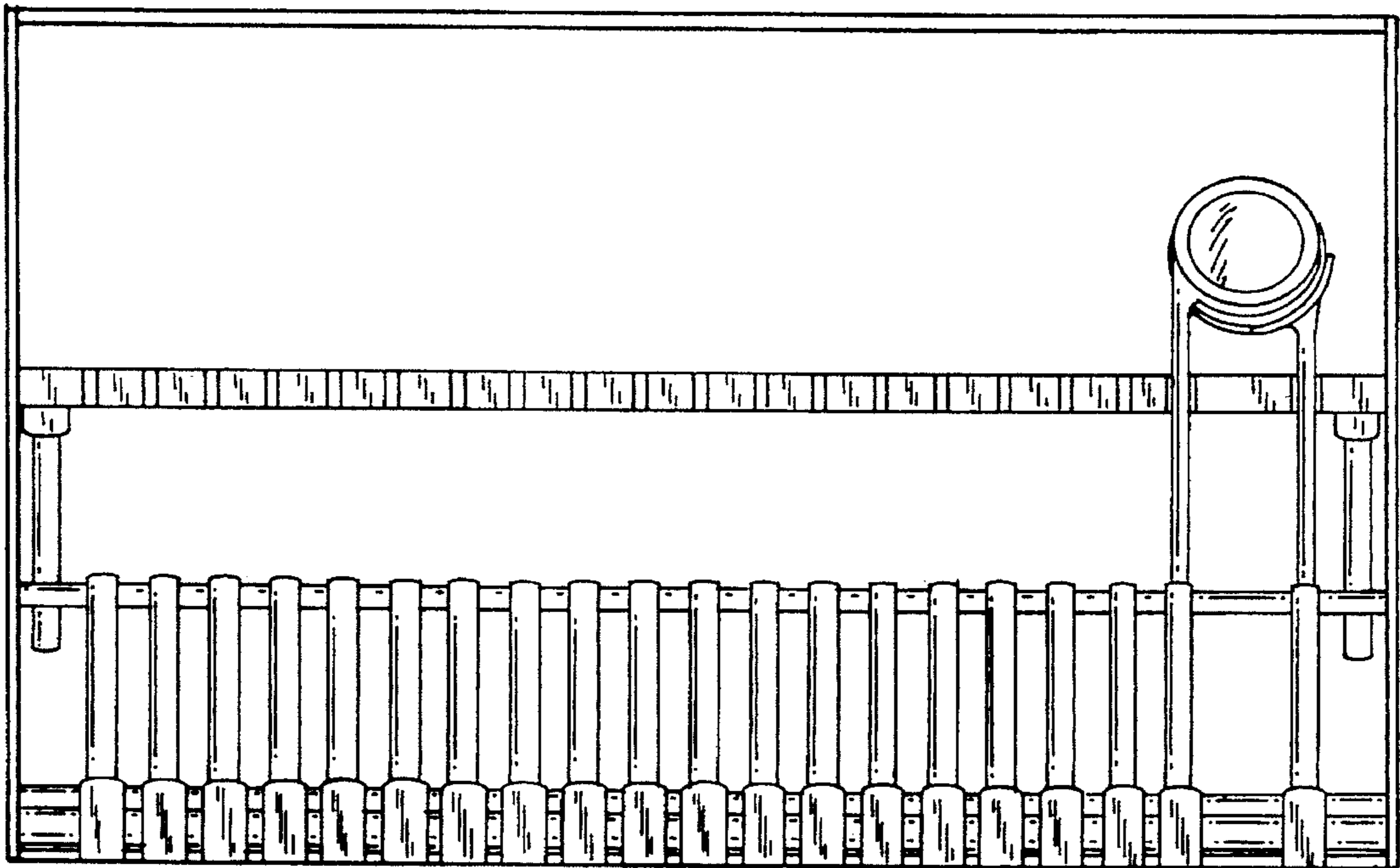
D. 319,873 9/1991 Rouse ..... D24/147  
2,532,604 10/1950 Carski ..... 211/69 X

**1 Claim, 4 Drawing Sheets**

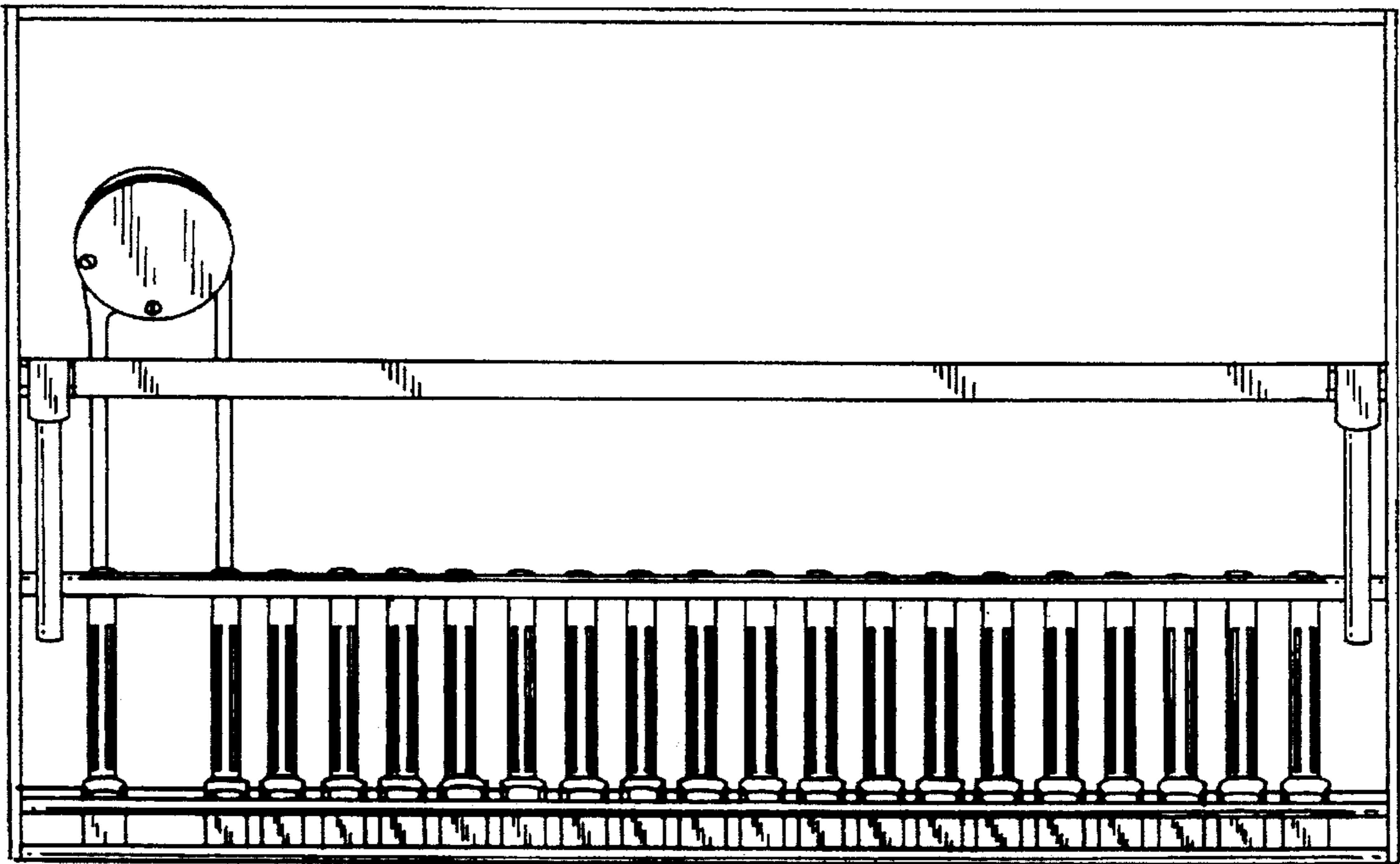




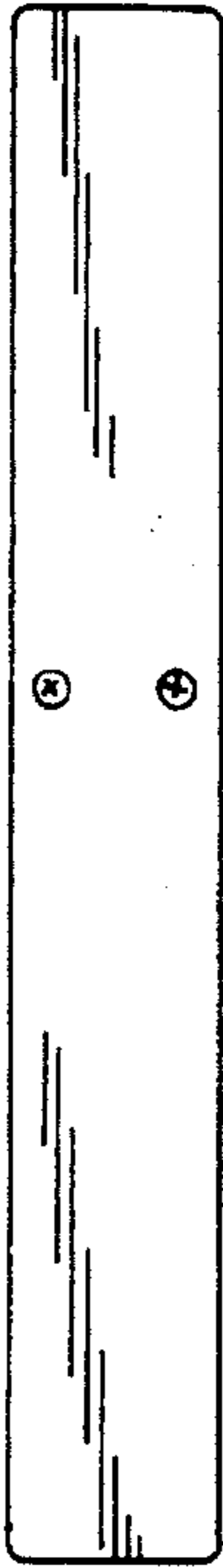
*Fig. 1*



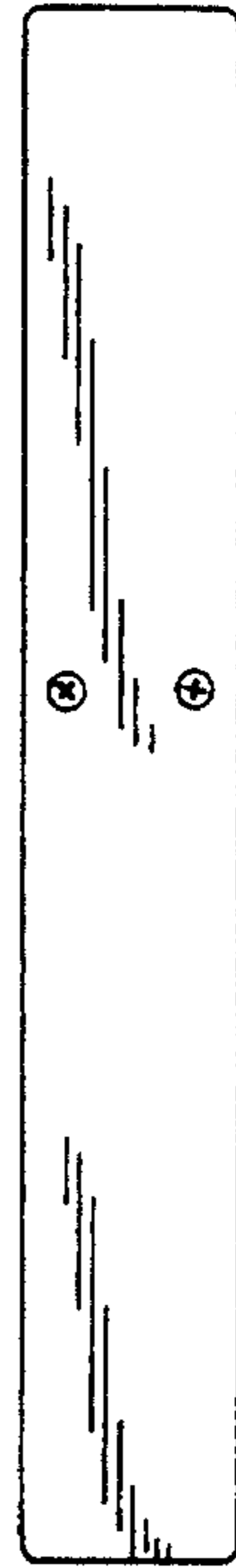
*Fig. 2*



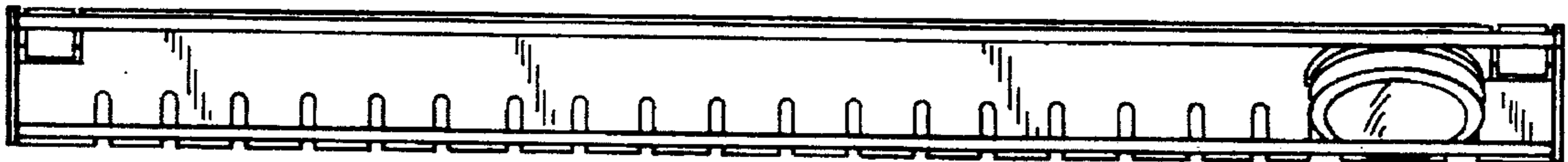
*Fig. 3*



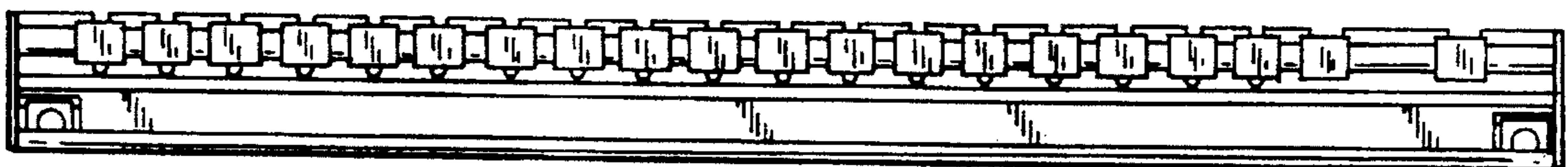
*Fig. 4*



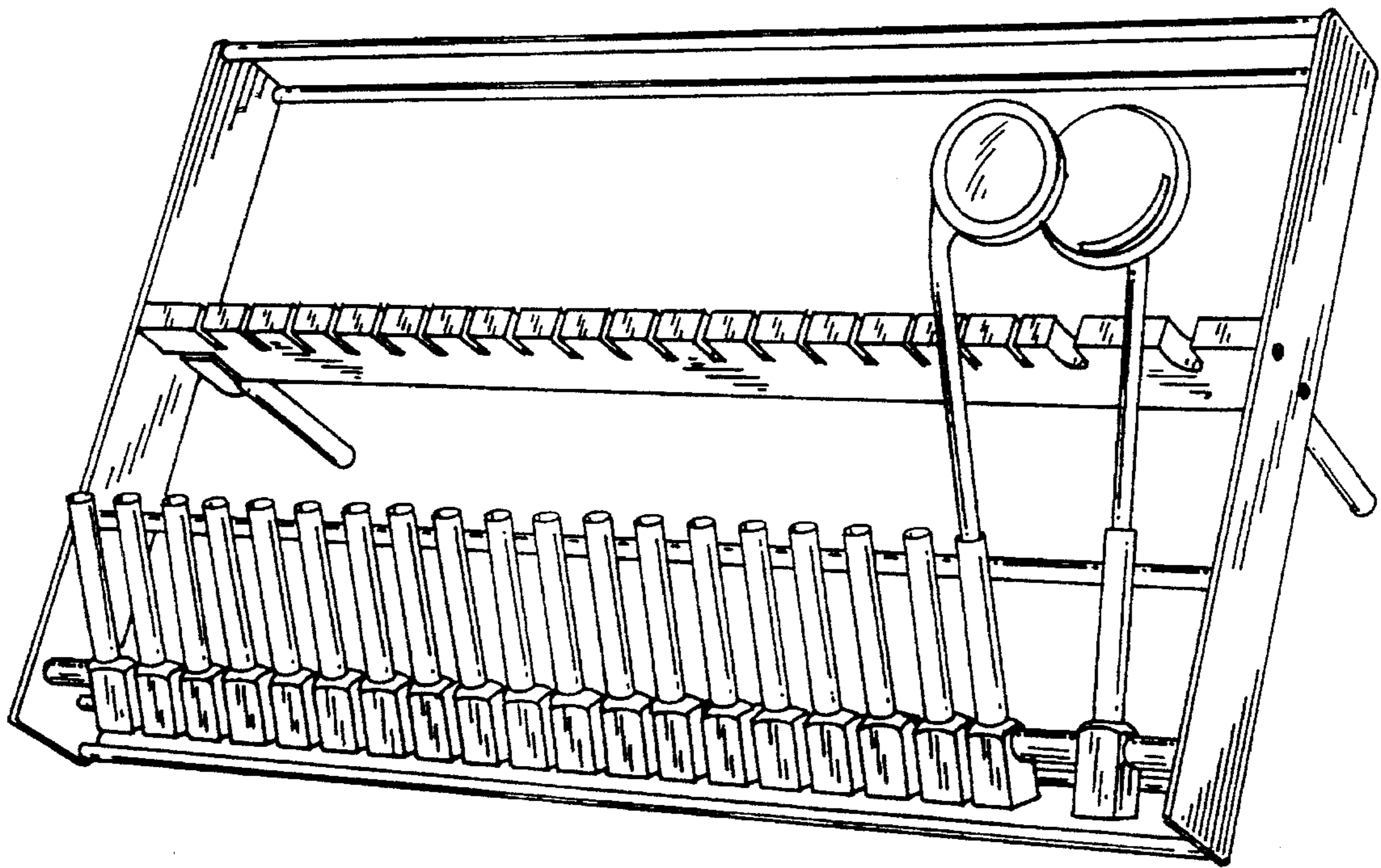
*Fig. 5*



*Fig. 6*



*Fig. 7*



*Fig. 8*