



US00D368526S

**United States Patent** [19]  
**Palermo**

[11] **Patent Number: Des. 368,526**  
[45] **Date of Patent: \*\*Apr. 2, 1996**

[54] **ADHESIVE BANDAGE**

[76] Inventor: **Margaret Palermo**, 1307 N. 74th Ter.,  
Hollywood, Fla. 33024

[\*\*] Term: **14 Years**

[21] Appl. No.: **515**

[22] Filed: **Oct. 16, 1992**

[52] **U.S. Cl.** ..... **D24/189**

[58] **Field of Search** ..... D24/189; 602/41,  
602/42, 43, 47, 48, 52, 54, 57, 59

[56] **References Cited**

**U.S. PATENT DOCUMENTS**

- D. 267,431 12/1982 Santarelli .
- D. 267,432 12/1982 Santarelli .
- D. 304,238 10/1989 Palau .
- D. 341,888 11/1993 Arginsky ..... D24/189
- 4,161,176 7/1979 Harris, II et al. .
- 4,285,338 8/1981 Lemelson ..... D24/189 X

**OTHER PUBLICATIONS**

Current 1990 Holiday Catalog, Adhesive Bandages, p. 469.

*Primary Examiner*—Stella Reid

*Attorney, Agent, or Firm*—Herbert L. Lerner; Laurence A. Greenberg

[57] **CLAIM**

The ornamental design for the adhesive bandage, as shown and described.

**DESCRIPTION**

FIG. 1 is a top plan view of an adhesive bandage, showing my new design;

FIG. 2 is a top plan view of a second embodiment of the adhesive bandage;

FIG. 3 is a top plan view of a third embodiment of the adhesive bandage;

FIG. 4 is a top plan view of a fourth embodiment of the adhesive bandage;

FIG. 5 is a top, left perspective view of the bandage illustrated in FIG. 1;

FIG. 6 is a bottom, right perspective view thereof;

FIG. 7 is a top, left perspective view of the bandage illustrated in FIG. 2;

FIG. 8 is a bottom, right perspective view thereof;

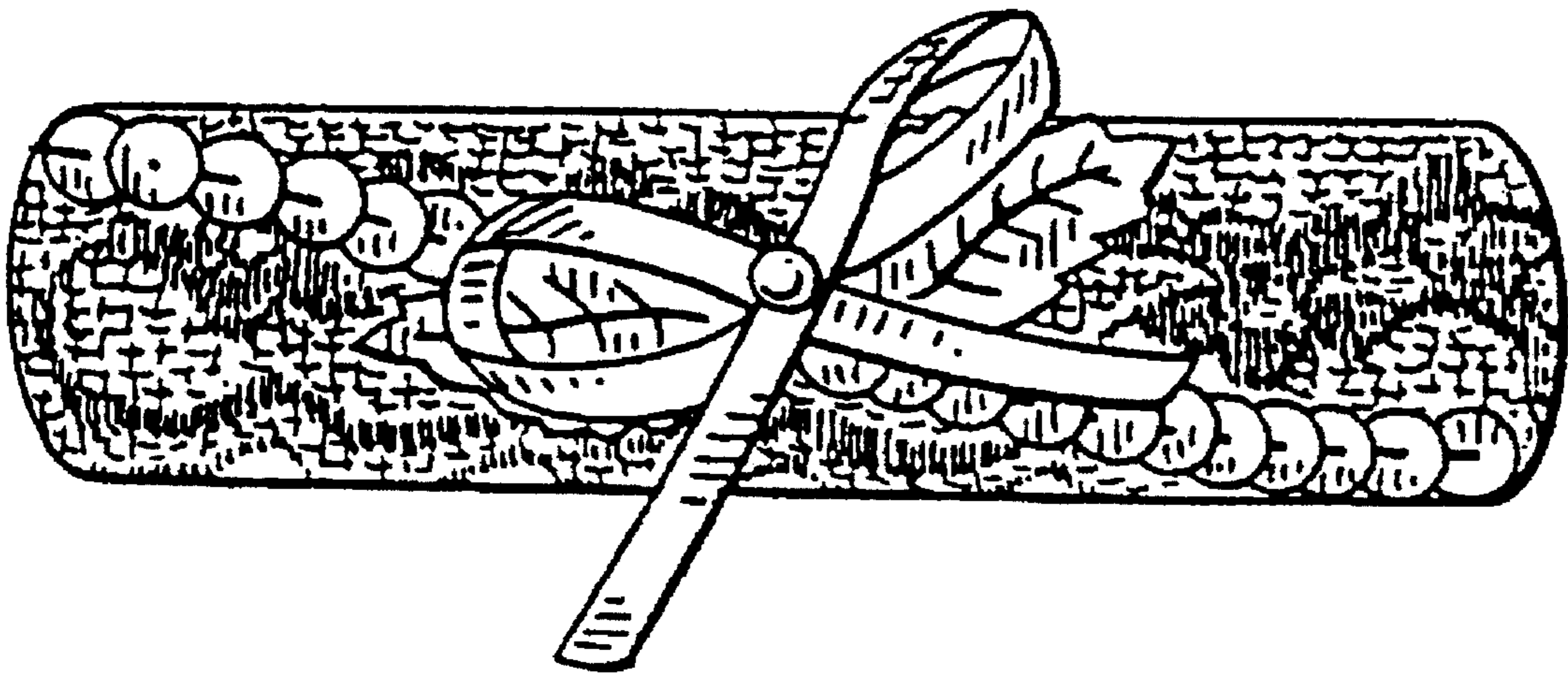
FIG. 9 is a top, left perspective view of the bandage illustrated in FIG. 3;

FIG. 10 is a bottom, right perspective view thereof;

FIG. 11 is a top, left perspective view of the bandage illustrated in FIG. 4; and,

FIG. 12 is a bottom, right perspective view thereof.

**1 Claim, 3 Drawing Sheets**



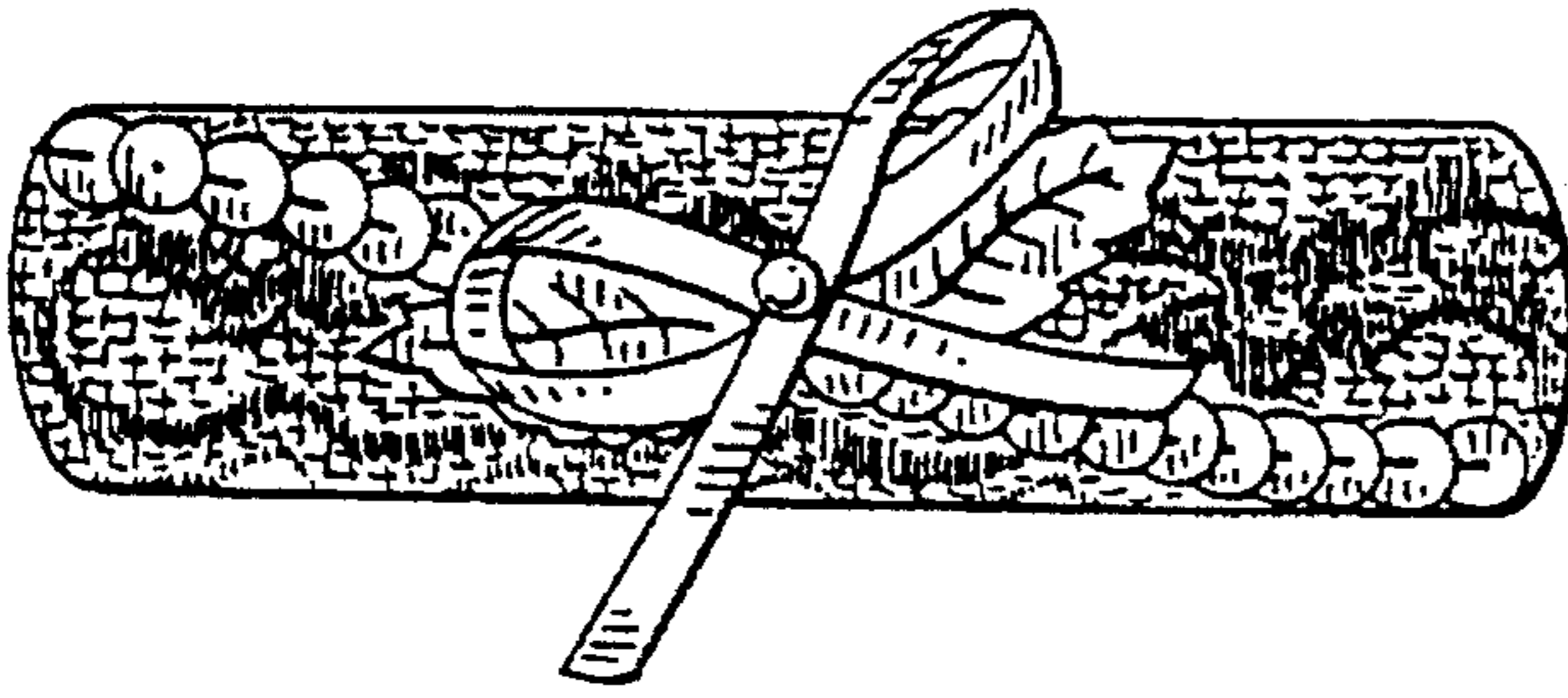


Fig. 1

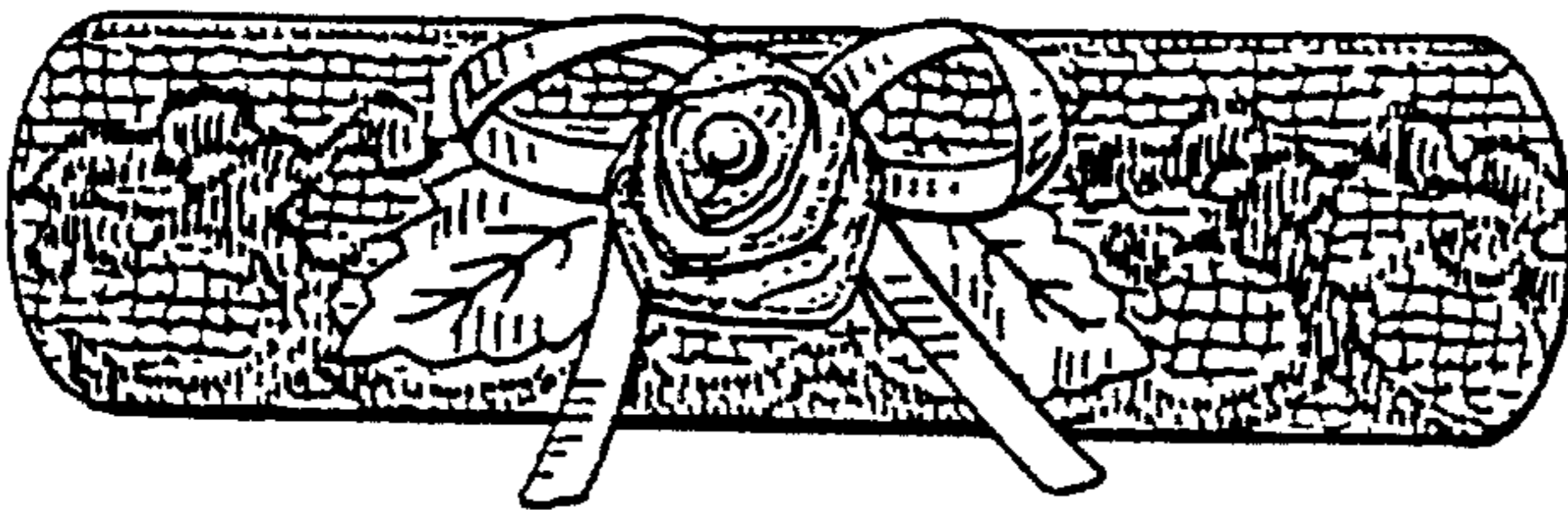


Fig. 2

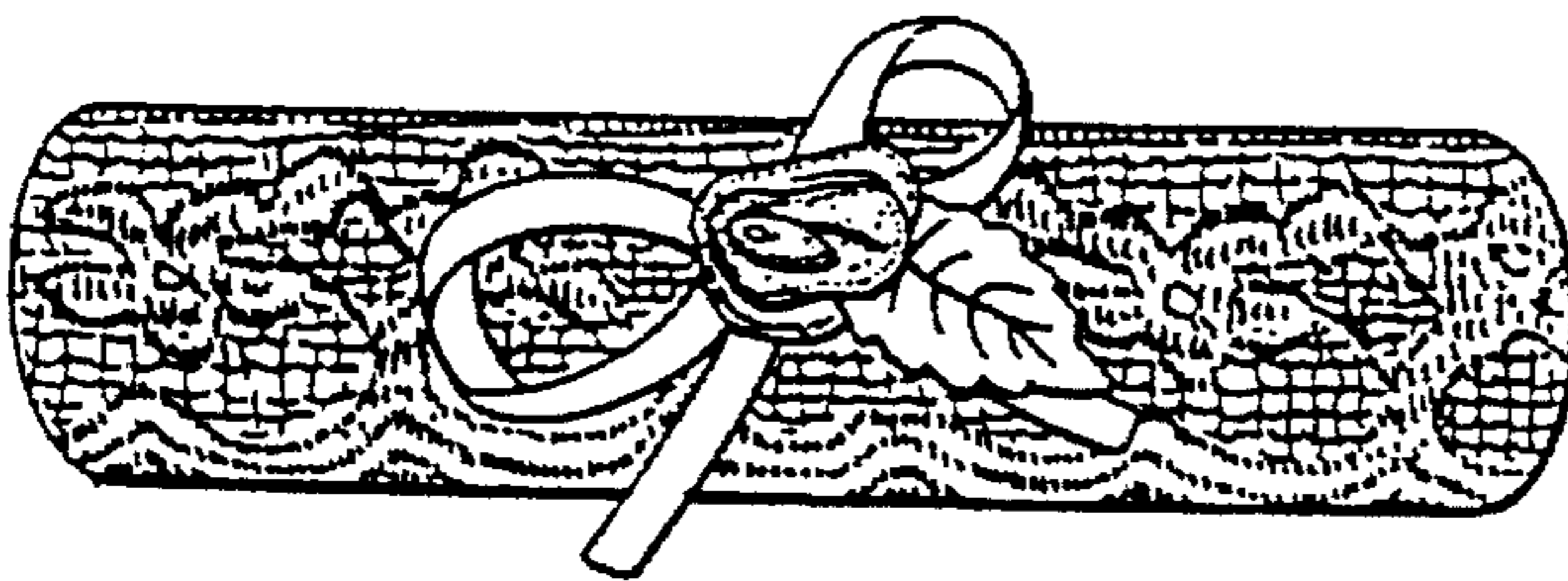


Fig. 3

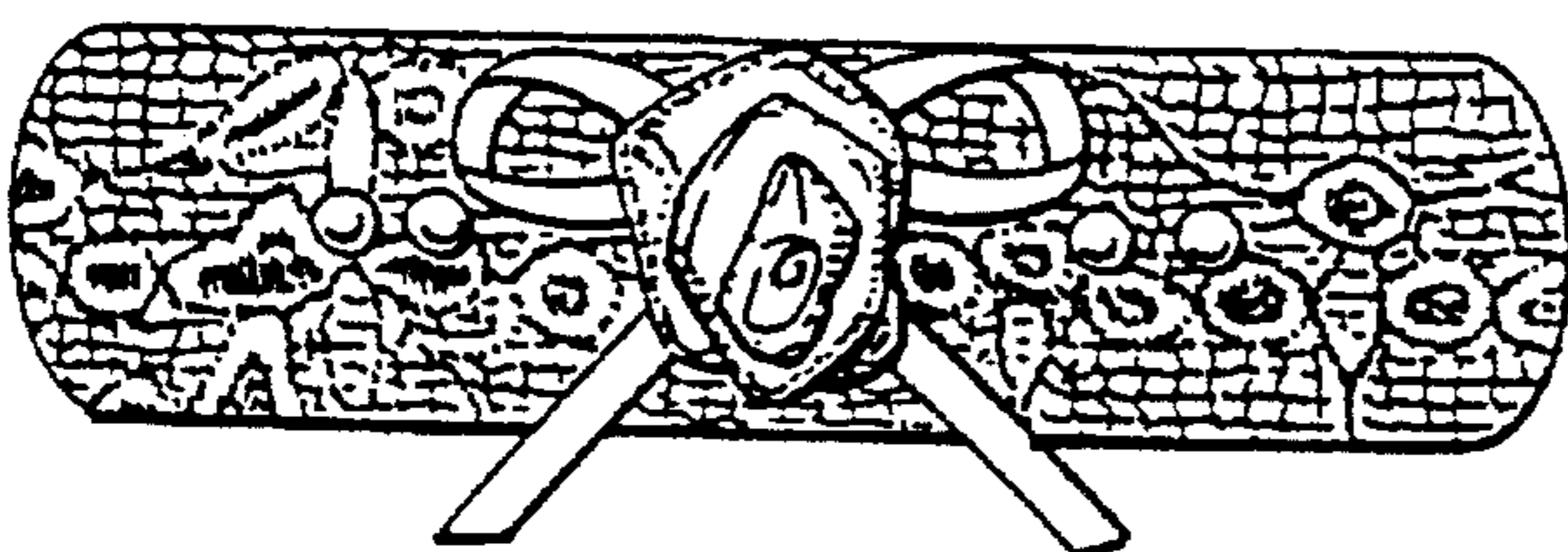


Fig. 4

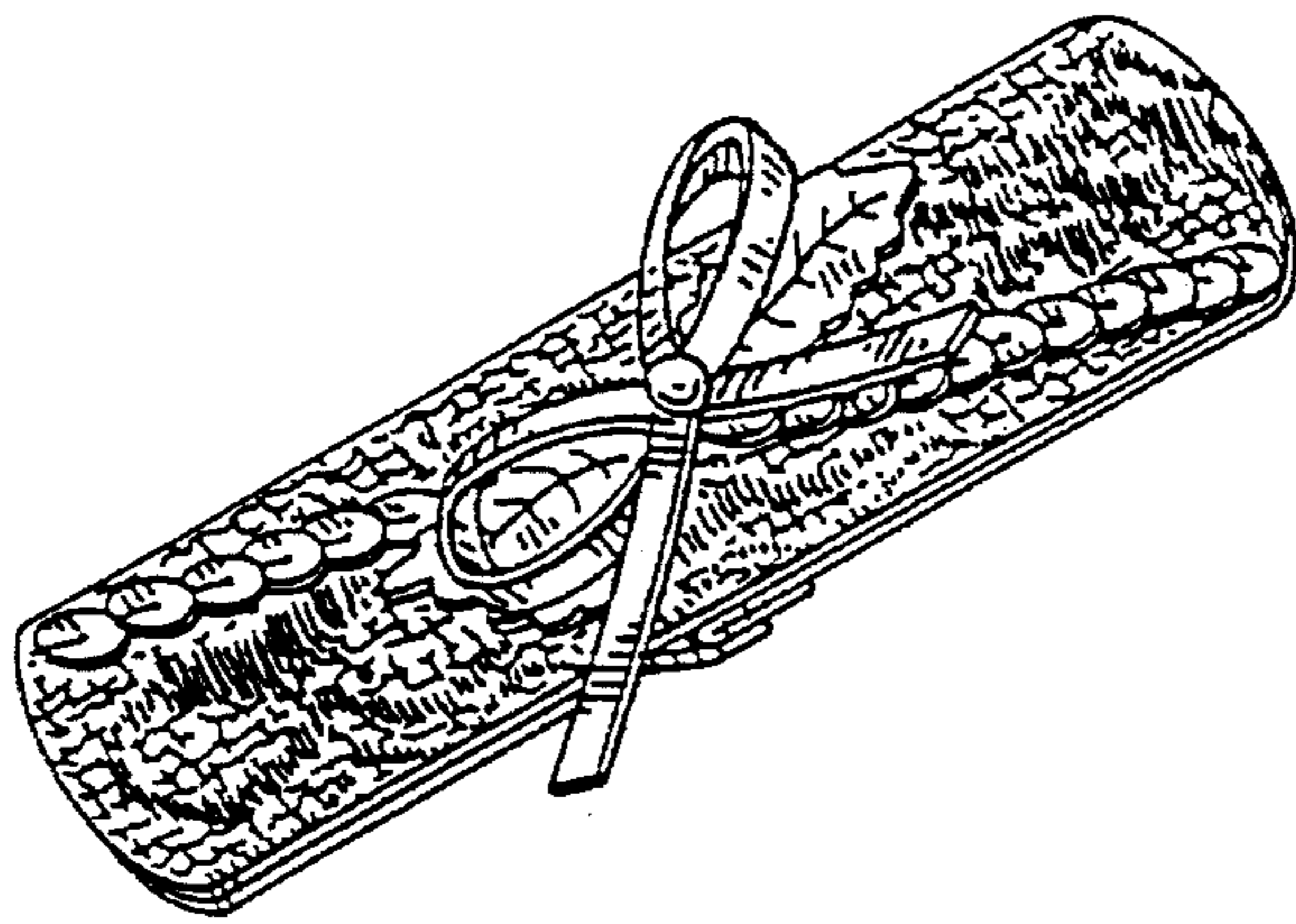


Fig. 5

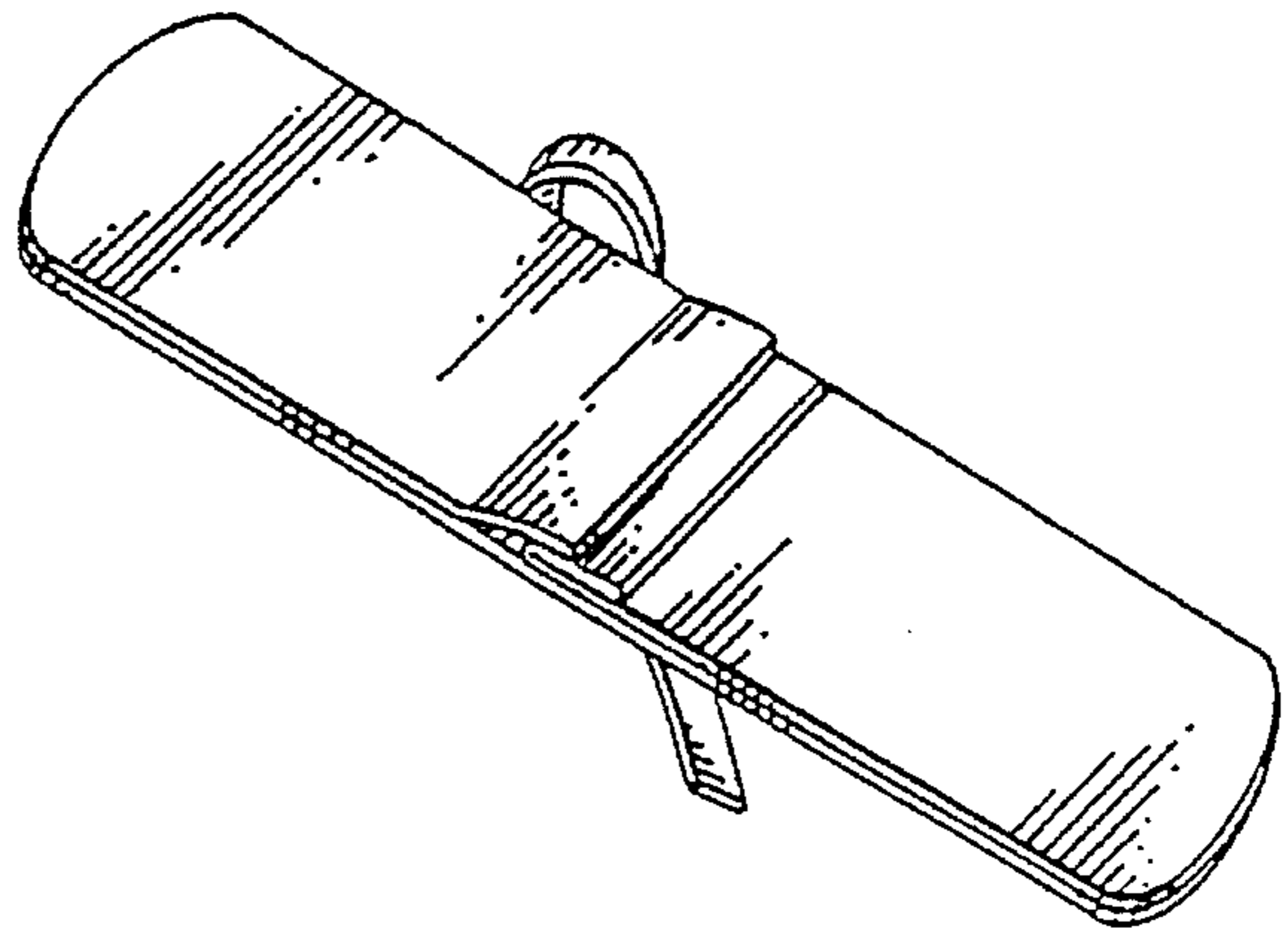


Fig. 6

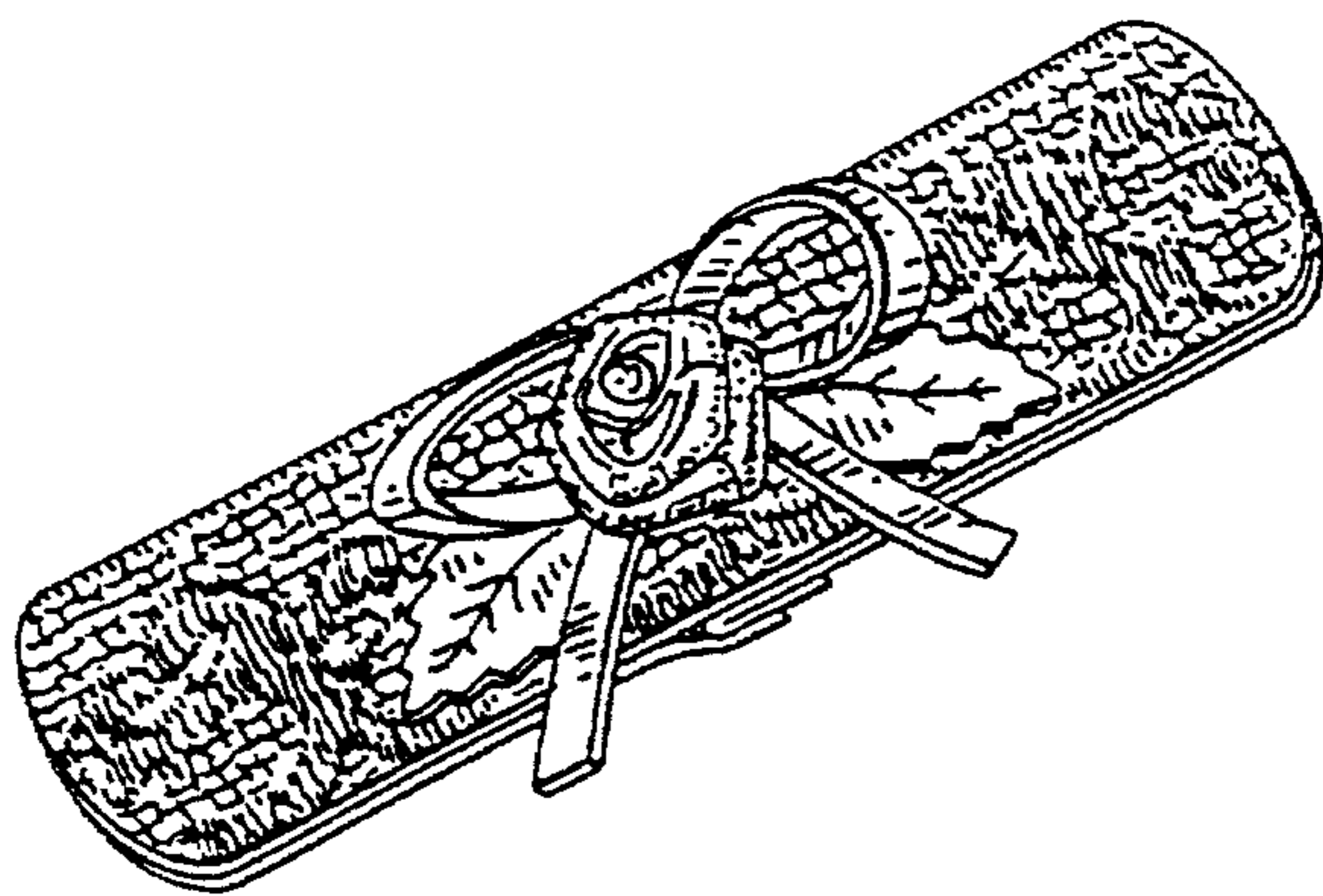


Fig. 7

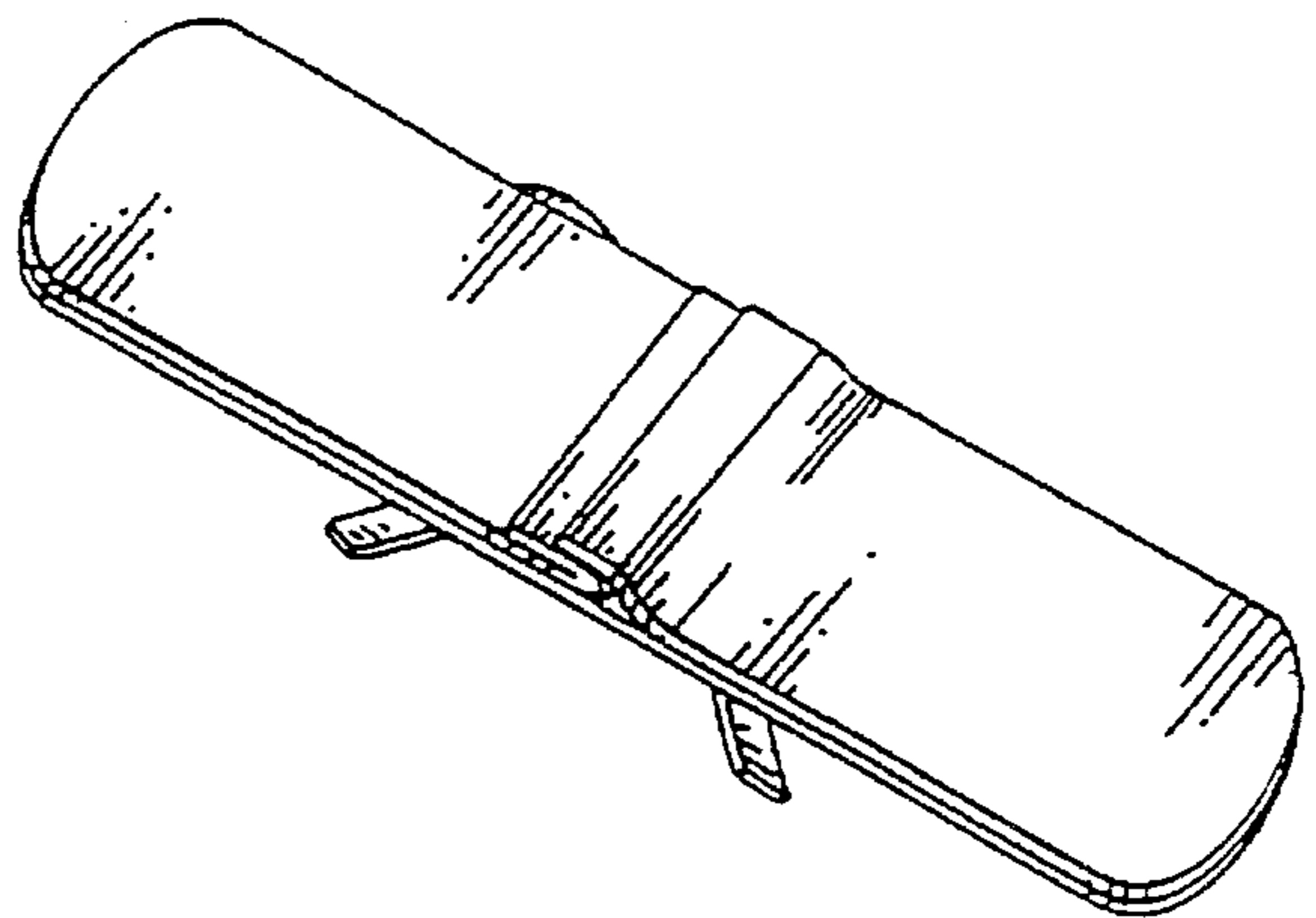


Fig. 8

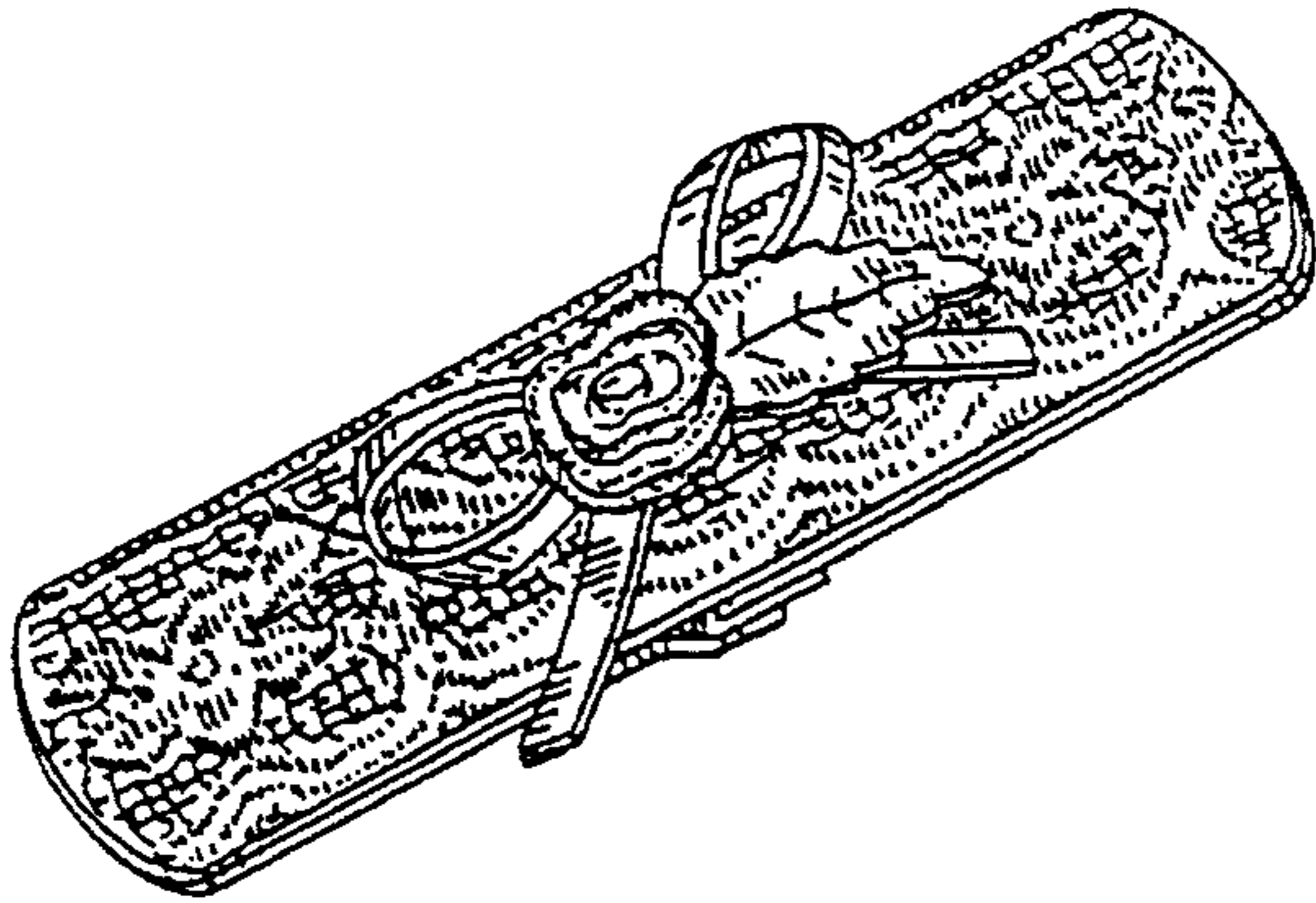


Fig. 9

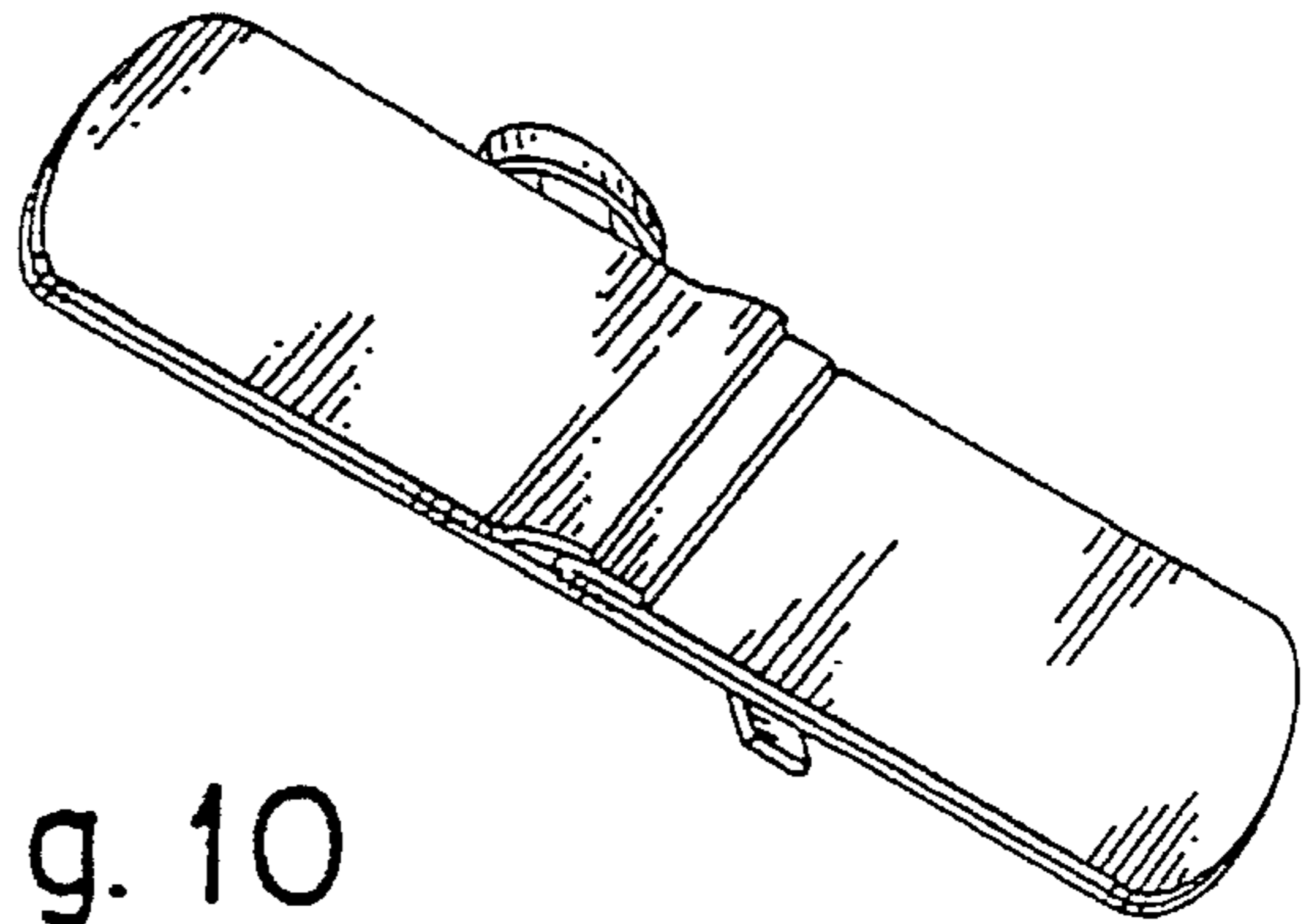


Fig. 10

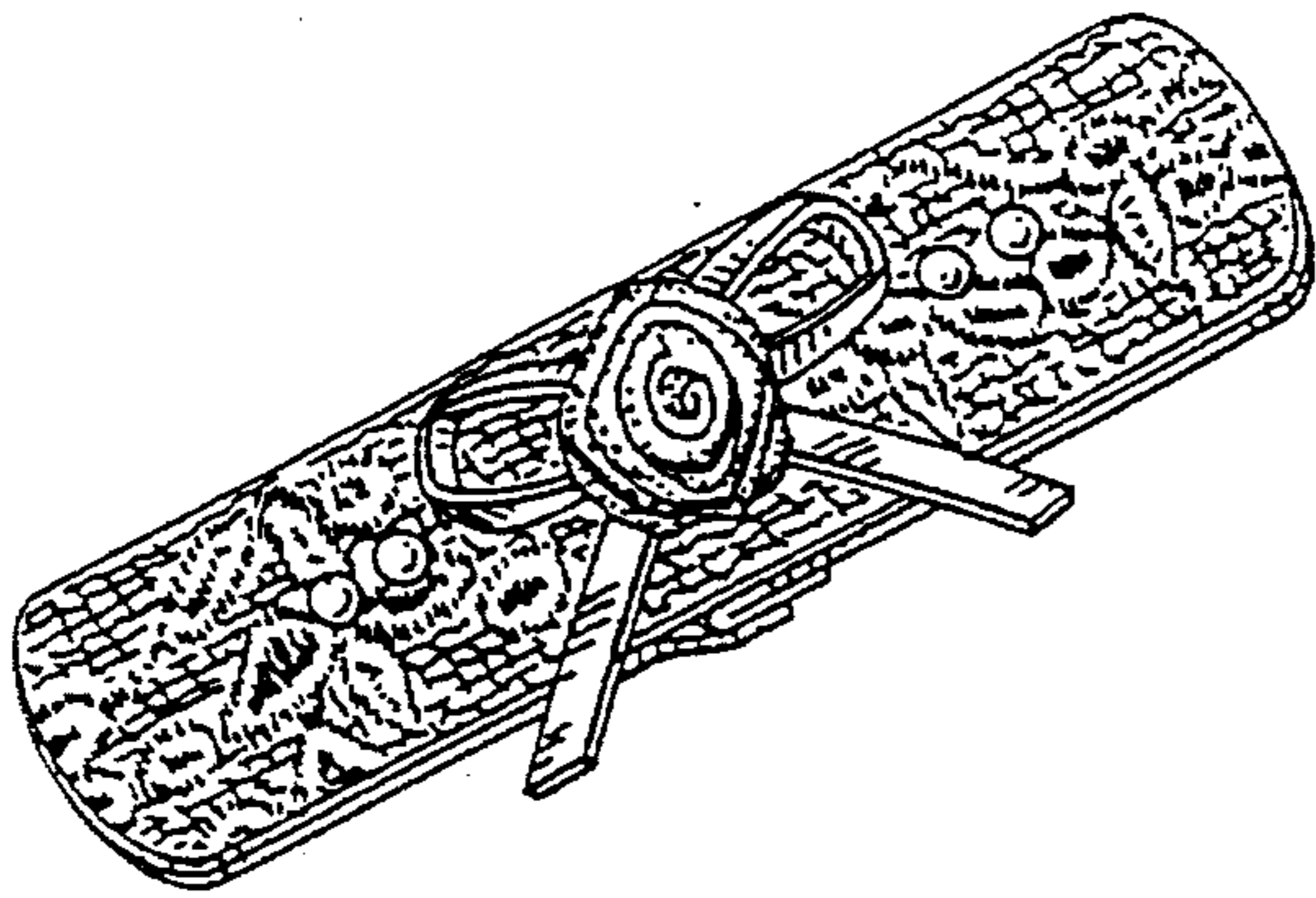


Fig. 11

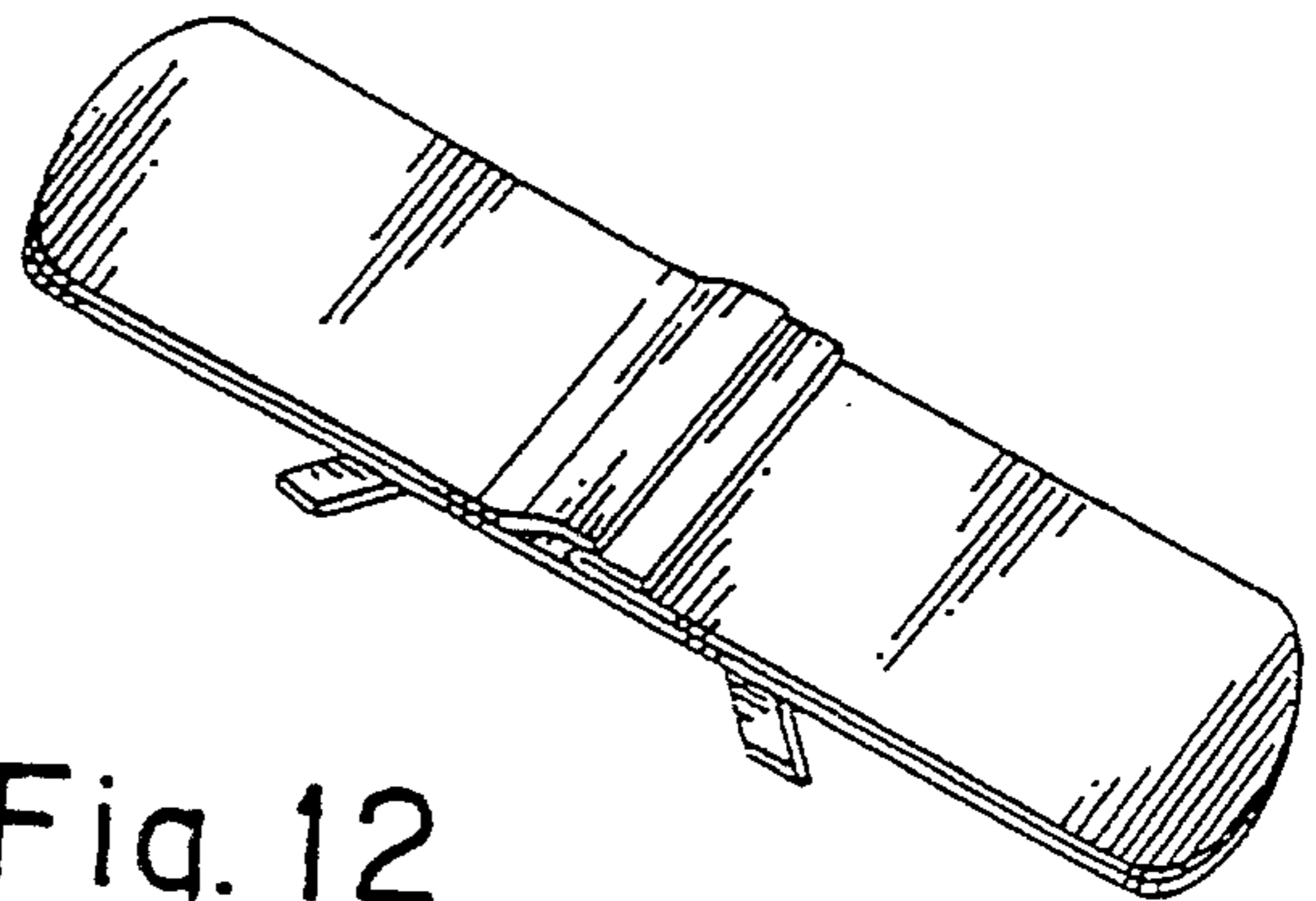


Fig. 12