



US00D368525S

United States Patent [19]

Karten et al.

[11] Patent Number: **Des. 368,525**

[45] Date of Patent: ****Apr. 2, 1996**

[54] **COMBINED BED BRACKET AND TETHER STRAP FOR SUSPENDING AN AIR PUMP ON A HOSPITAL BED**

[76] Inventors: **Stuart Karten**, 4222-D Glencoe Ave., Marina Del Rey, Calif. 90292; **Dennis Schroeder**, 240 30th St., Hermosa Beach, Calif. 90254; **Kam Leung**, 2260 Robles Ave., San Marino, Calif. 91108

[**] Term: **14 Years**

[21] Appl. No.: **390**

[22] Filed: **Oct. 13, 1992**

[52] U.S. Cl. **D24/184**

[58] Field of Search D24/200, 206, D24/186; 601/149, 150, 152; 607/104; 128/DIG. 12

[56] References Cited

U.S. PATENT DOCUMENTS

5,117,812 6/1992 McWhorter 601/149
5,211,162 5/1993 Gillen, Jr. et al. 601/149

Primary Examiner—Stella Reid
Attorney, Agent, or Firm—Kay H. P. Hannafan

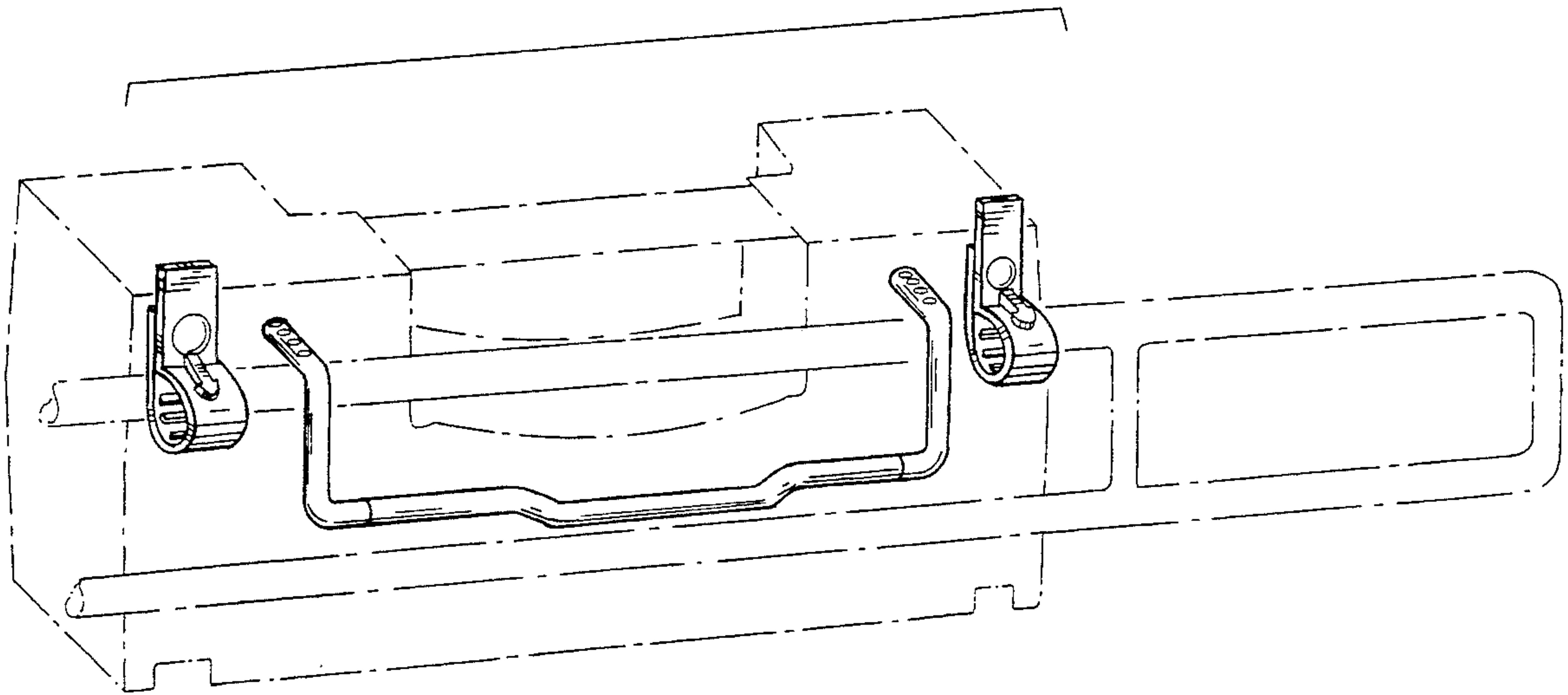
[57] CLAIM

The ornamental design for a combined bed bracket and tether strap for suspending an air pump on a hospital bed, as shown and described.

DESCRIPTION

FIG. 1 is a perspective view of a combined bed bracket and tether strap for suspending an air pump on a hospital bed, showing our new design, with the tether straps in closed position;
FIG. 2 is a front elevational view thereof, with the tether strap in closed position;
FIG. 3 is a side elevational view thereof, with both tether straps in open position, and the bed bracket in open position;
FIG. 4 is a top plan view thereof;
FIG. 5 is a side elevational view thereof opposite that shown in FIG. 3, with both tether straps in closed position and the bed bracket in open position;
FIG. 6 is a top plan view thereof, with both tether straps in closed position and the bed bracket in open position;
FIG. 7 is a bottom plan view thereof; and,
FIG. 8 is another perspective view thereof.
The broken line showing in FIGS. 1–8 is for illustrative purposes only and forms no part of the claimed design.

1 Claim, 5 Drawing Sheets



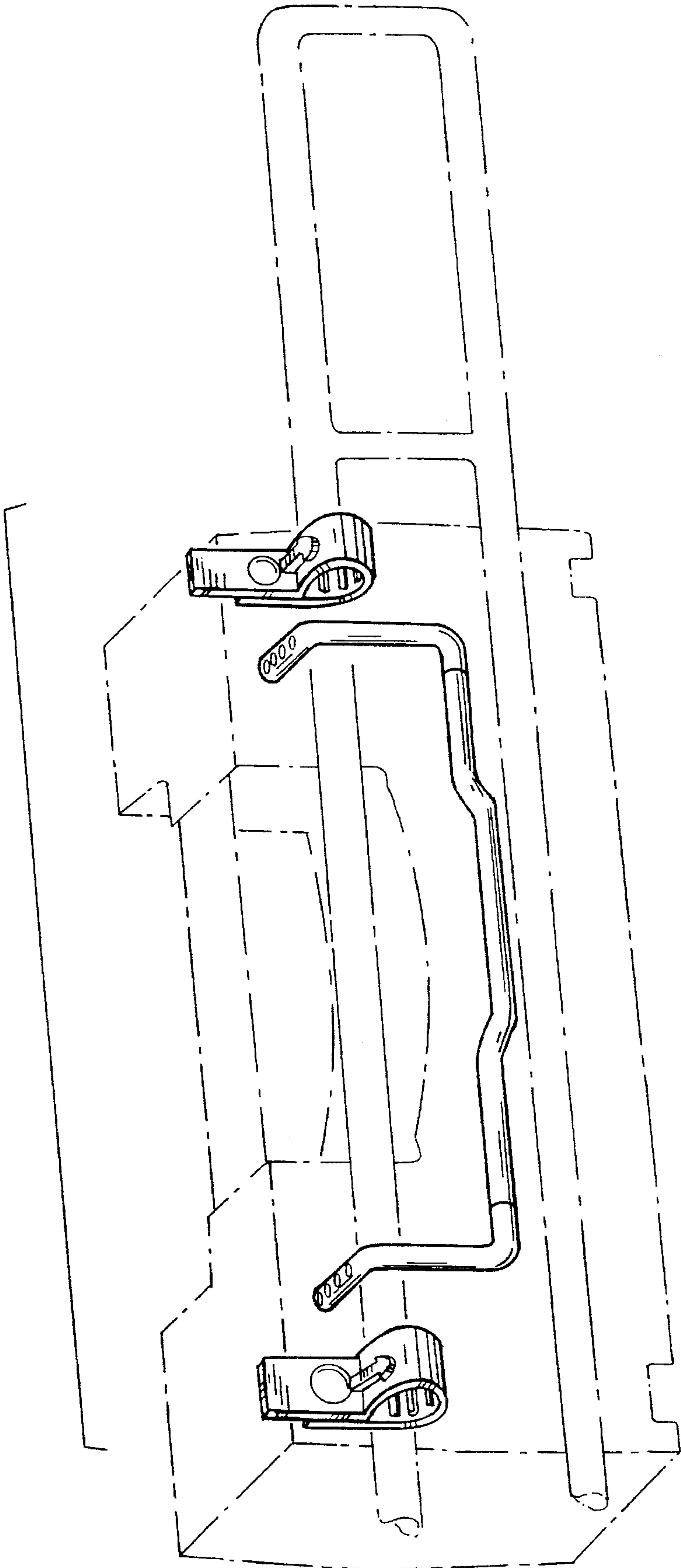


FIG. 1

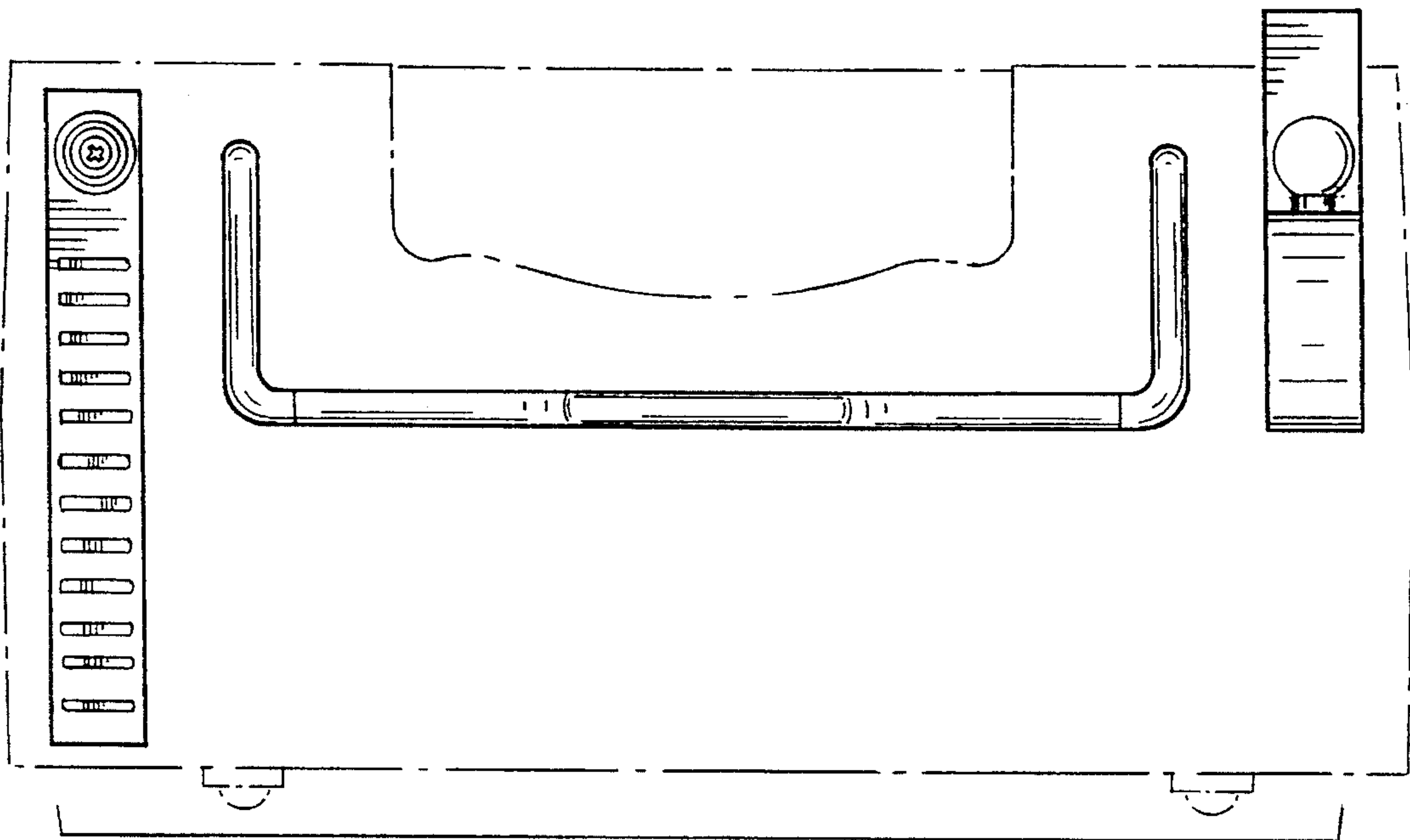


FIG. 2

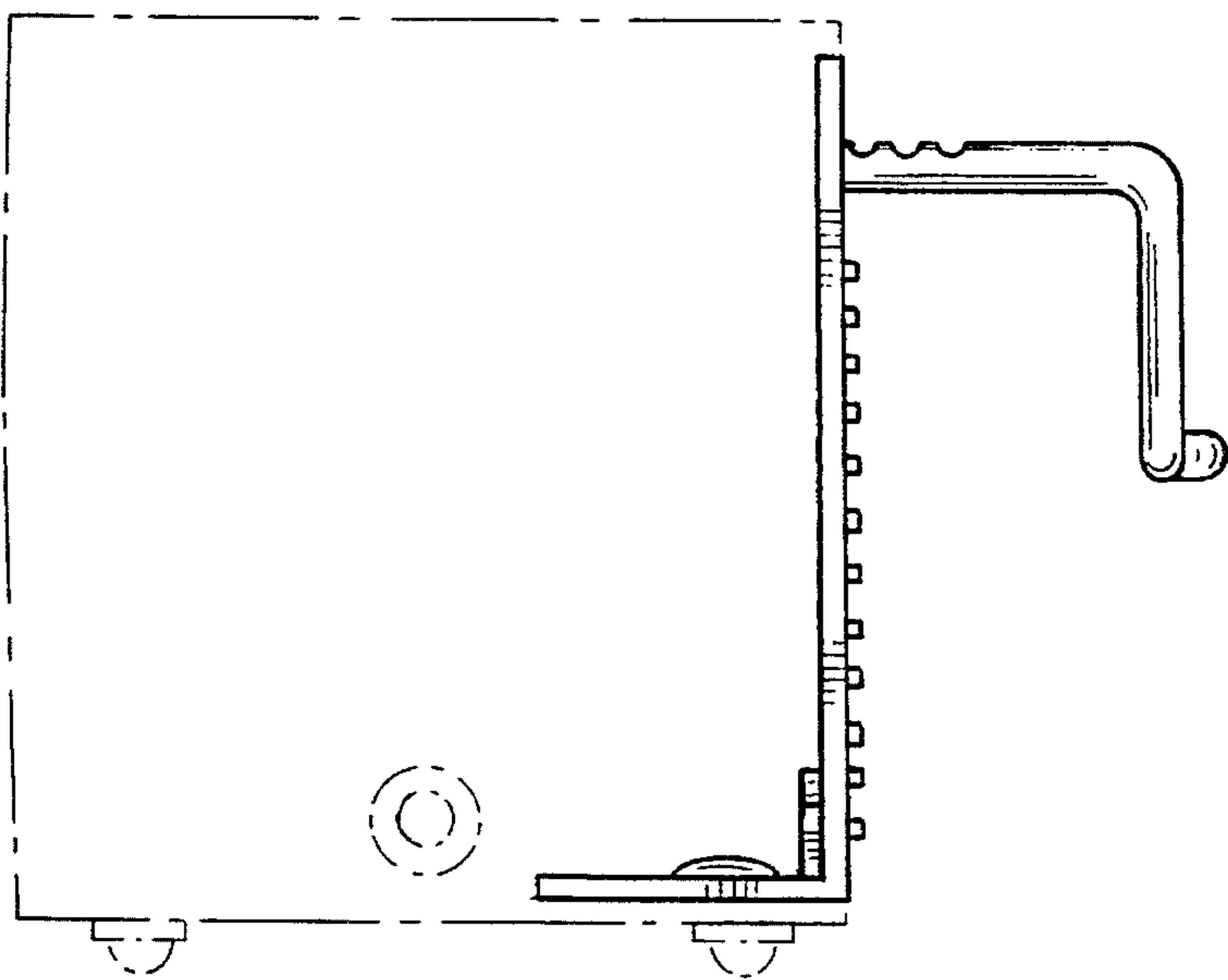


FIG. 3

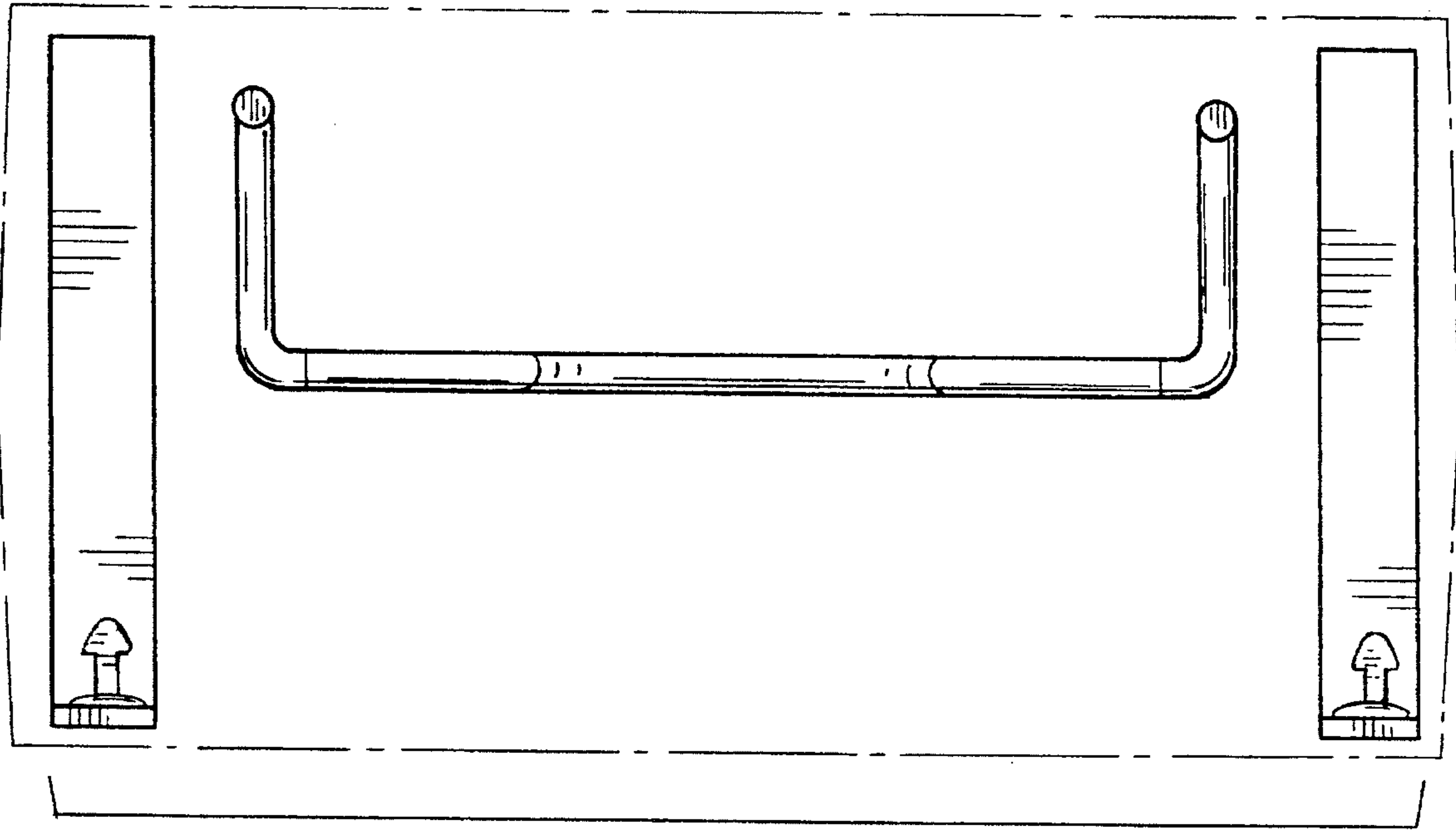


FIG. 4

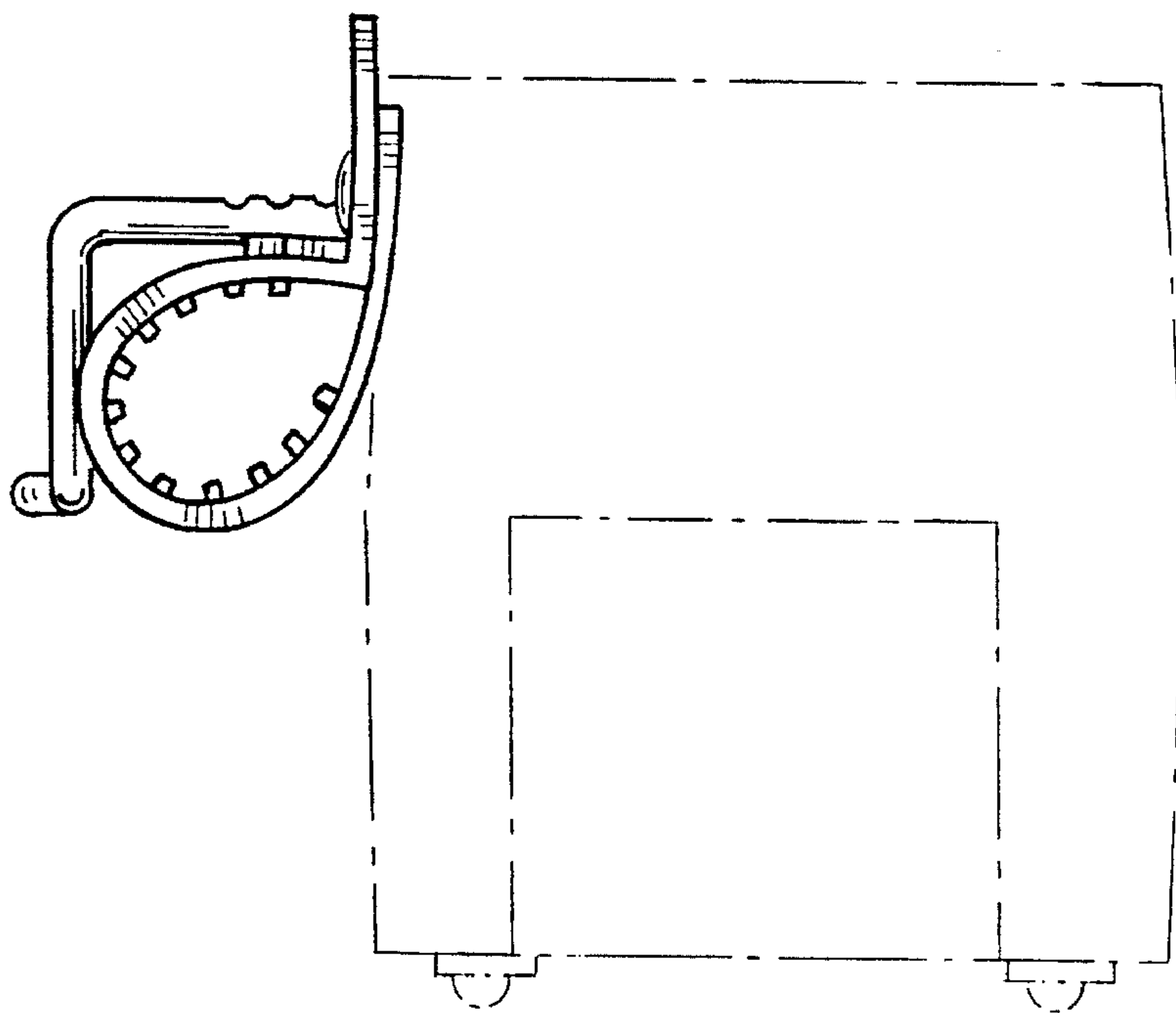


FIG. 5

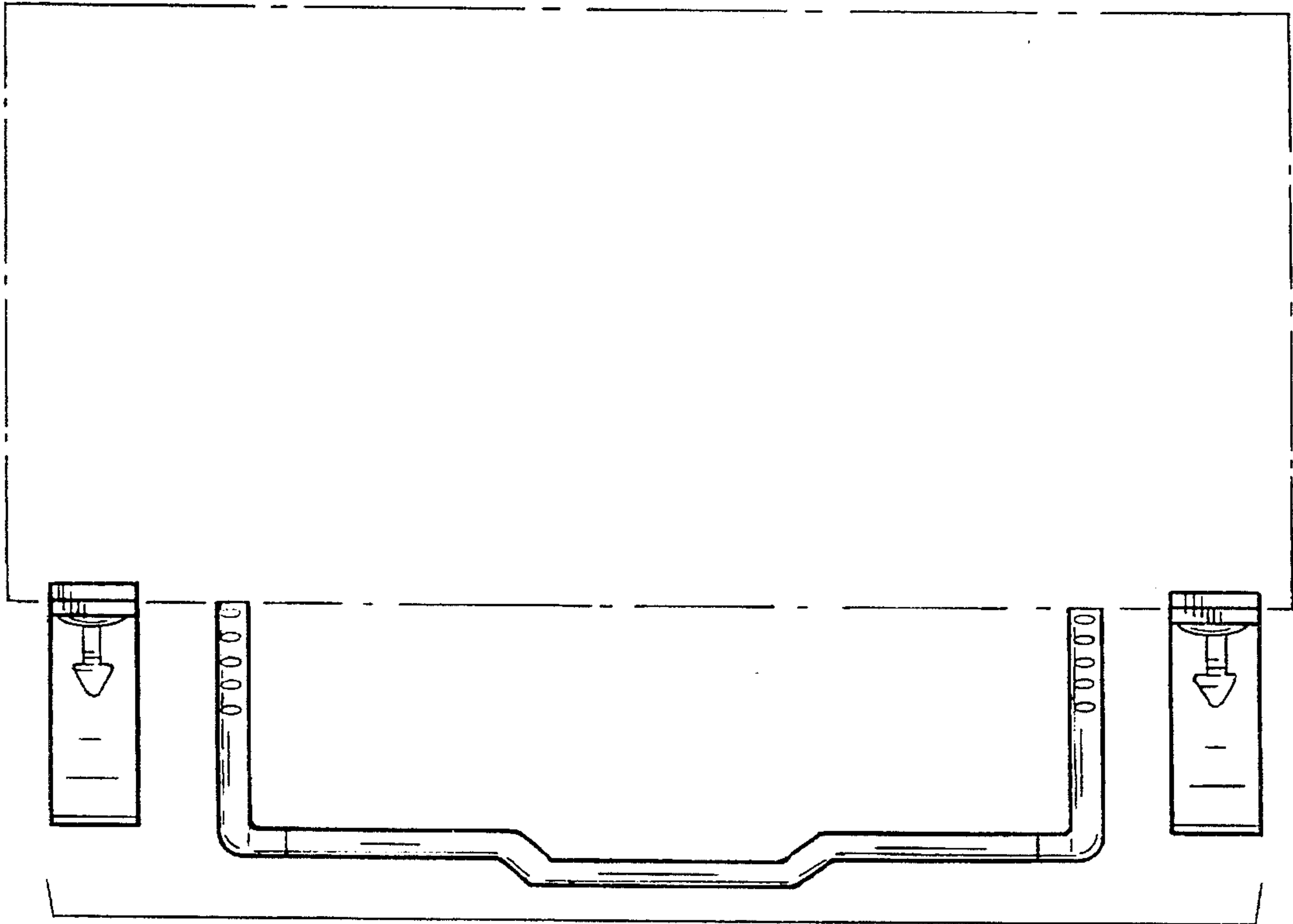


FIG. 6

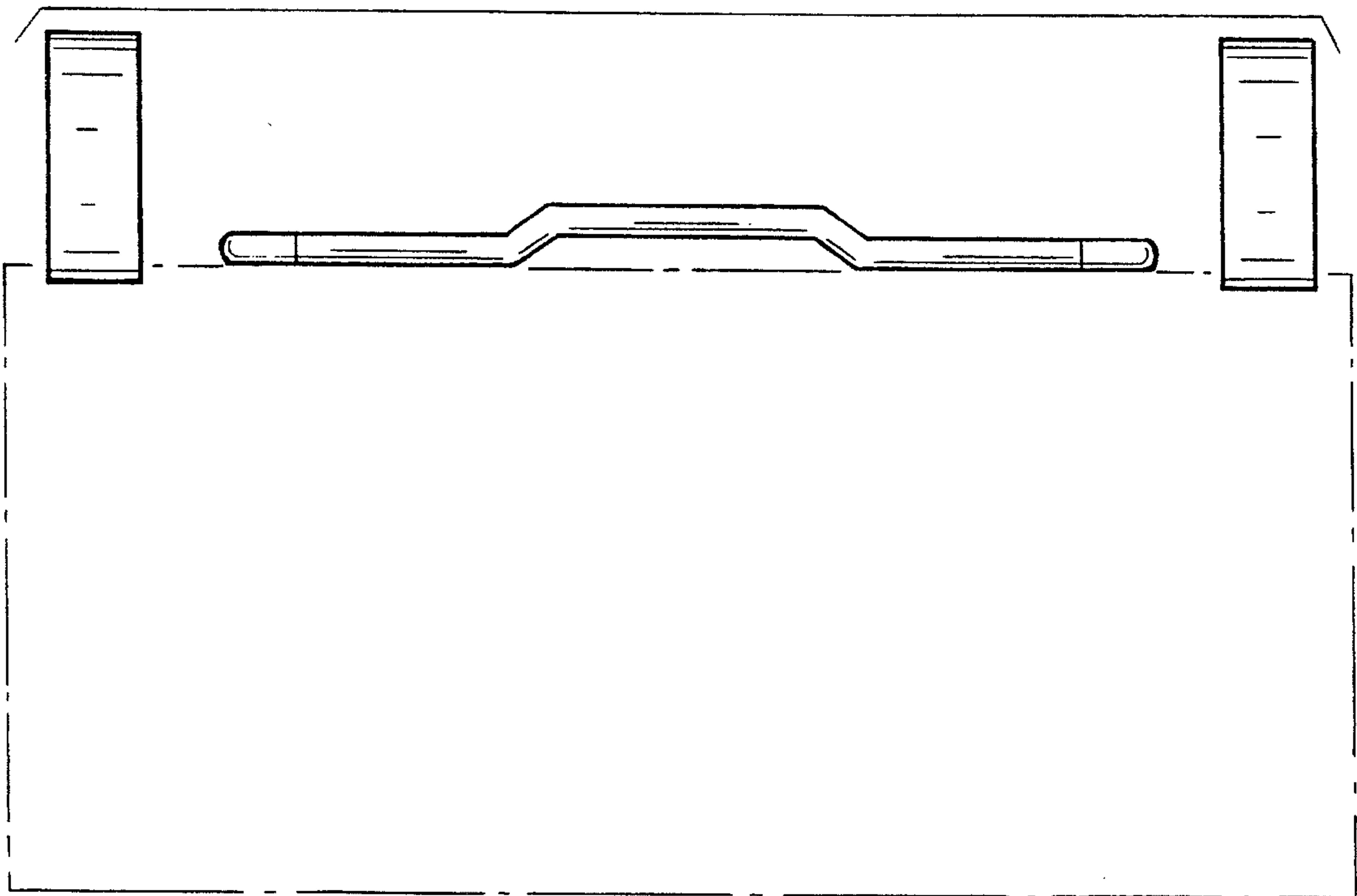


FIG. 7

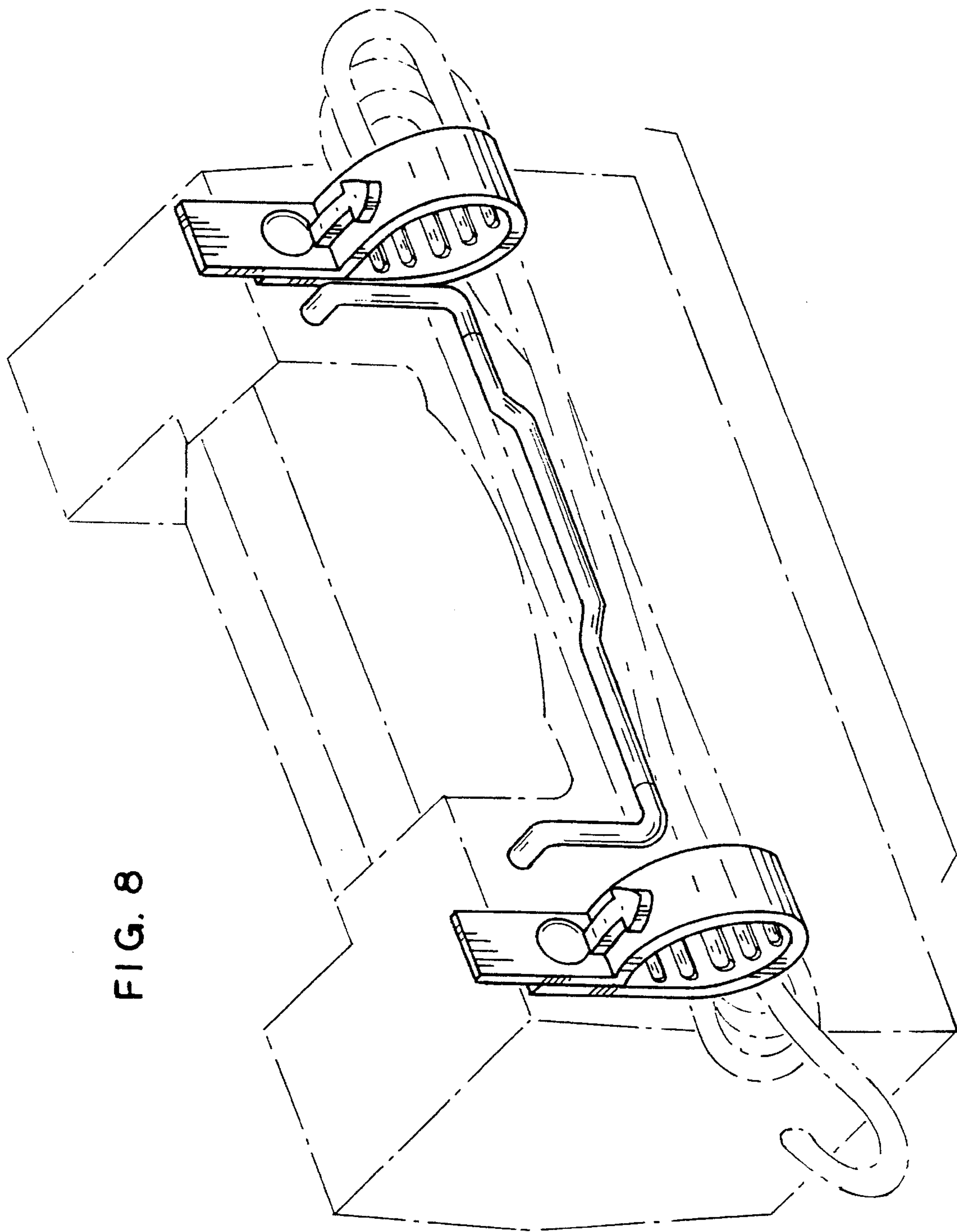


FIG. 8