



US00D368523S

# United States Patent [19]

Mendoza

[11] Patent Number: **Des. 368,523**

[45] Date of Patent: **\*\*Apr. 2, 1996**

[54] **DENTAL PROPHYLAXIS CUP**

[75] Inventor: **Jose L. Mendoza**, Rancho Cordova, Calif.

[73] Assignee: **Denticator International, Inc.**, Rancho Cordova, Calif.

[\*\*] Term: **14 Years**

[21] Appl. No.: **18,271**

[22] Filed: **Jan. 31, 1994**

[52] U.S. Cl. .... **D24/180; D24/176**

[58] Field of Search ..... **D24/176-182; 433/166, 133**

4,795,343	1/1989	Choisser .....	433/116
4,842,516	6/1989	Choisser .....	433/132
4,929,180	5/1990	Moreschini .....	433/166
4,941,828	7/1990	Kimura .....	433/114
5,020,994	6/1991	Huang .....	433/126
5,028,233	7/1991	Witherby .....	433/125
5,040,978	8/1991	Falcon et al. ....	433/125
5,083,922	1/1992	Yale .....	433/166
5,094,615	3/1992	Bailey .....	433/88
5,120,220	6/1992	Butler .....	433/125
5,156,547	10/1992	Bailey .....	433/125
5,334,020	8/1994	Eckert .....	433/166

### FOREIGN PATENT DOCUMENTS

646193	6/1937	Germany .....	30/202 B
102433	5/1951	New Zealand .....	433/132
2209284	5/1989	United Kingdom .....	A61C 1/05

### OTHER PUBLICATIONS

Denticator; Product Brochure; 1990; entire brochure.  
 Oralsafe; Advertisement for oralsafe disposable handpiece;  
 Dentistry Today Trade Journal; Aug., 1992; entire advertisement.  
 Dental Products Report, "Disposable Handpiece", Nov. 1992, p. 96.  
 The National Magazine for Dental Hygiene Professionals, Product Report, "Prophy Cups", Jan. 1992, p. 38.  
 Dental Products Report, New Products, "Prophy Cups", Jan. 1992, p. 30.

*Primary Examiner*—Kay H. Chin  
*Attorney, Agent, or Firm*—Bernhard Kreten

[57] **CLAIM**

The ornamental design for a dental prophylaxis cup, as shown and described.

### DESCRIPTION

FIG. 1 is a perspective view of a dental prophylaxis cup showing my new design;  
 FIG. 2 is a side view thereof, the opposite side being a mirror image thereof;  
 FIG. 3 is top perspective view thereof;

**1 Claim, 1 Drawing Sheet**

[56] **References Cited**

#### U.S. PATENT DOCUMENTS

Re. 24,391	11/1957	McFadden .....	51/170
263,814	9/1882	Schmitz .	
1,999,488	4/1935	Swisher et al. ....	32/27
2,017,881	10/1935	Wiseman .....	32/59
2,025,779	12/1935	Roelke .....	32/11
2,135,933	11/1938	Blair .....	128/48
2,226,145	12/1940	Smith .....	15/29
2,300,828	11/1942	Goldenberg .....	32/59
2,315,016	3/1943	Shotton .....	32/26
2,328,270	8/1943	Greenberg .....	74/56
2,789,352	4/1957	Wiseman .....	32/59
2,937,444	5/1960	Kern .....	32/27
3,163,934	1/1965	Wiseman .....	32/27
3,192,922	7/1965	Winkler .....	128/62
3,229,369	1/1966	Hoffmeister et al. ....	32/27
3,421,224	1/1969	Brehm et al. ....	32/27
3,727,313	4/1973	Graham .....	32/27
3,740,853	6/1973	Brahler .....	32/59
3,855,704	12/1974	Booth .....	32/28
3,877,574	4/1975	Killick .....	206/368
3,955,284	5/1976	Balson .....	32/27
3,987,550	10/1976	Danne et al. ....	32/59
4,053,983	10/1977	Flatland .....	32/27
4,182,041	1/1980	Girard .....	433/115
4,248,589	2/1981	Lewis .....	433/80
4,259,071	3/1981	Warden et al. ....	433/166
4,266,933	5/1981	Warden et al. ....	433/82
4,365,956	12/1982	Bailey .....	433/115
4,693,871	9/1987	Geller .....	433/116

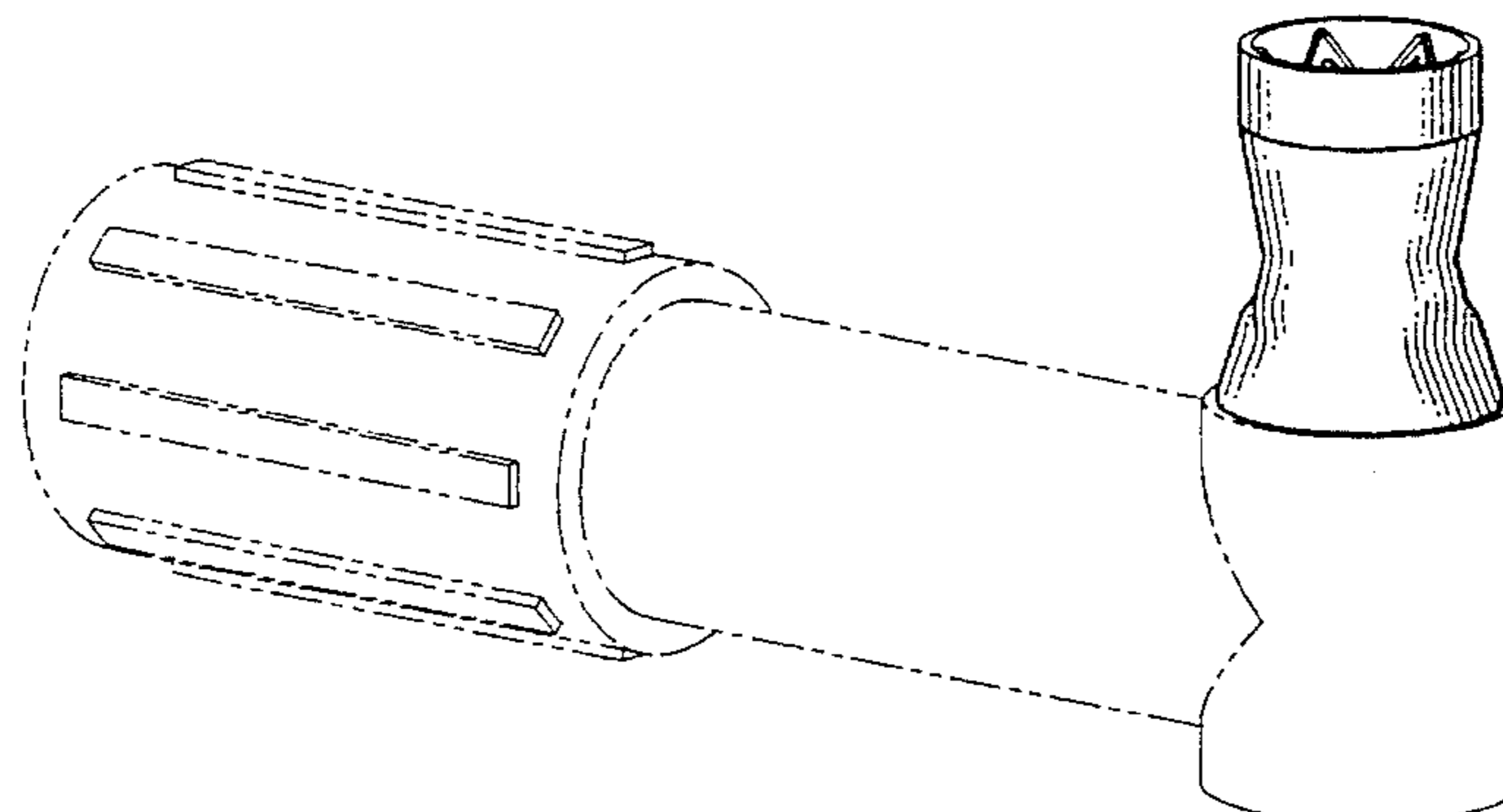


FIG. 4 is a perspective sectional view taken along lines 4—4 of FIG. 3;  
FIG. 5 is bottom view thereof; and,  
FIG. 6 is a side perspective thereof.

The broken-line showing of environmental structure in FIG. 6 is for illustrative purposes only and forms no part of the claimed design.

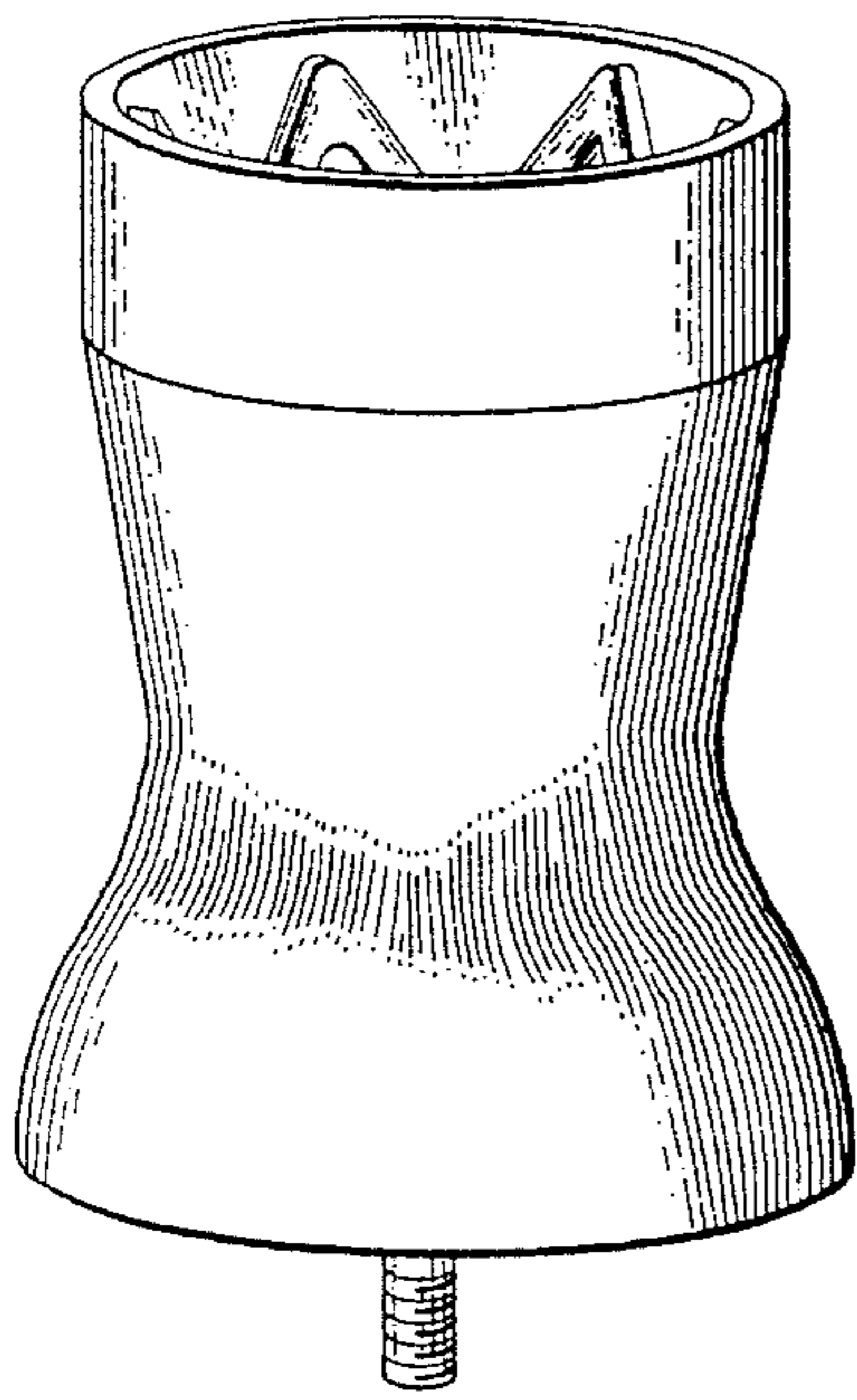


Fig. 1

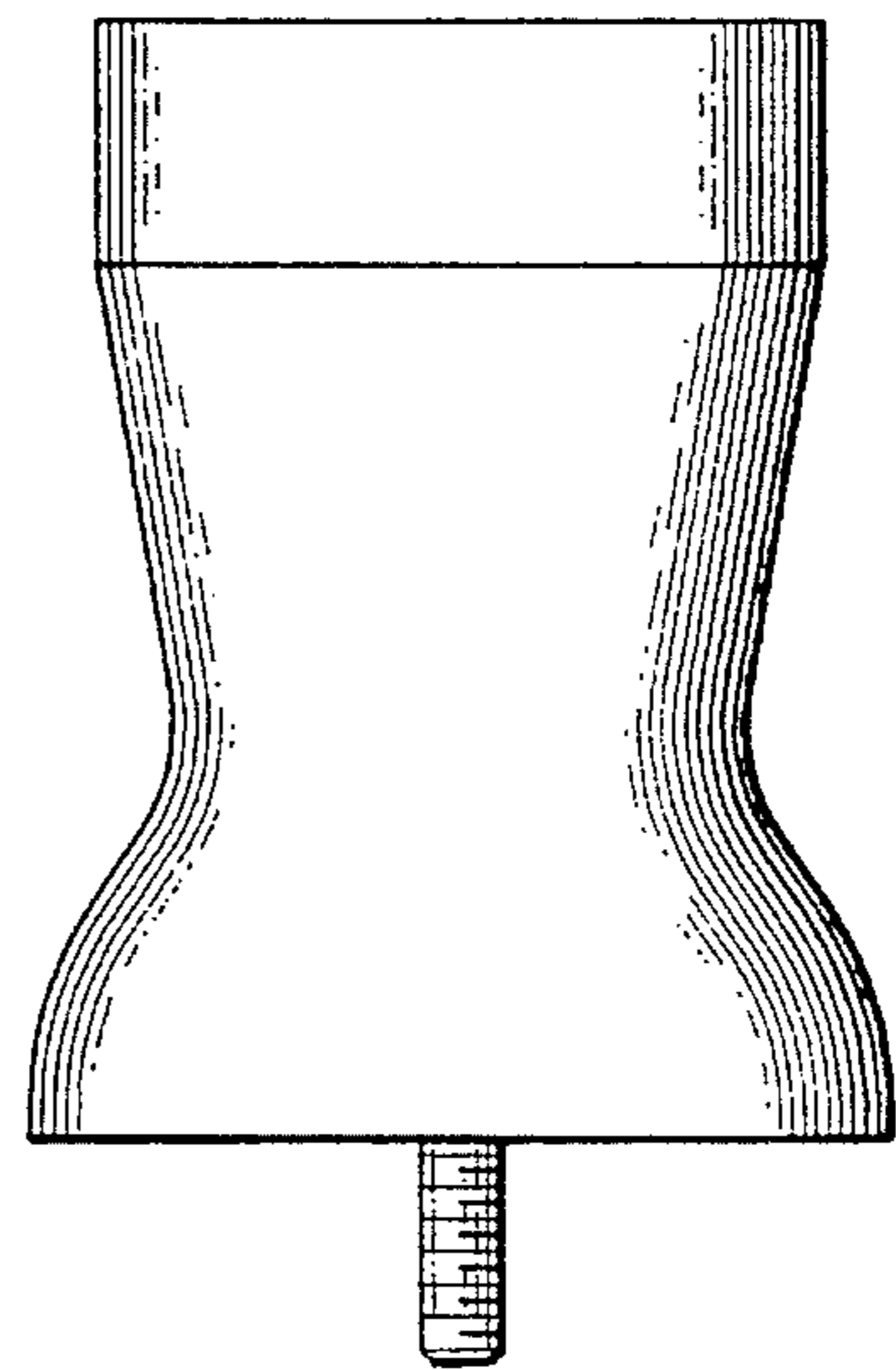


Fig. 2

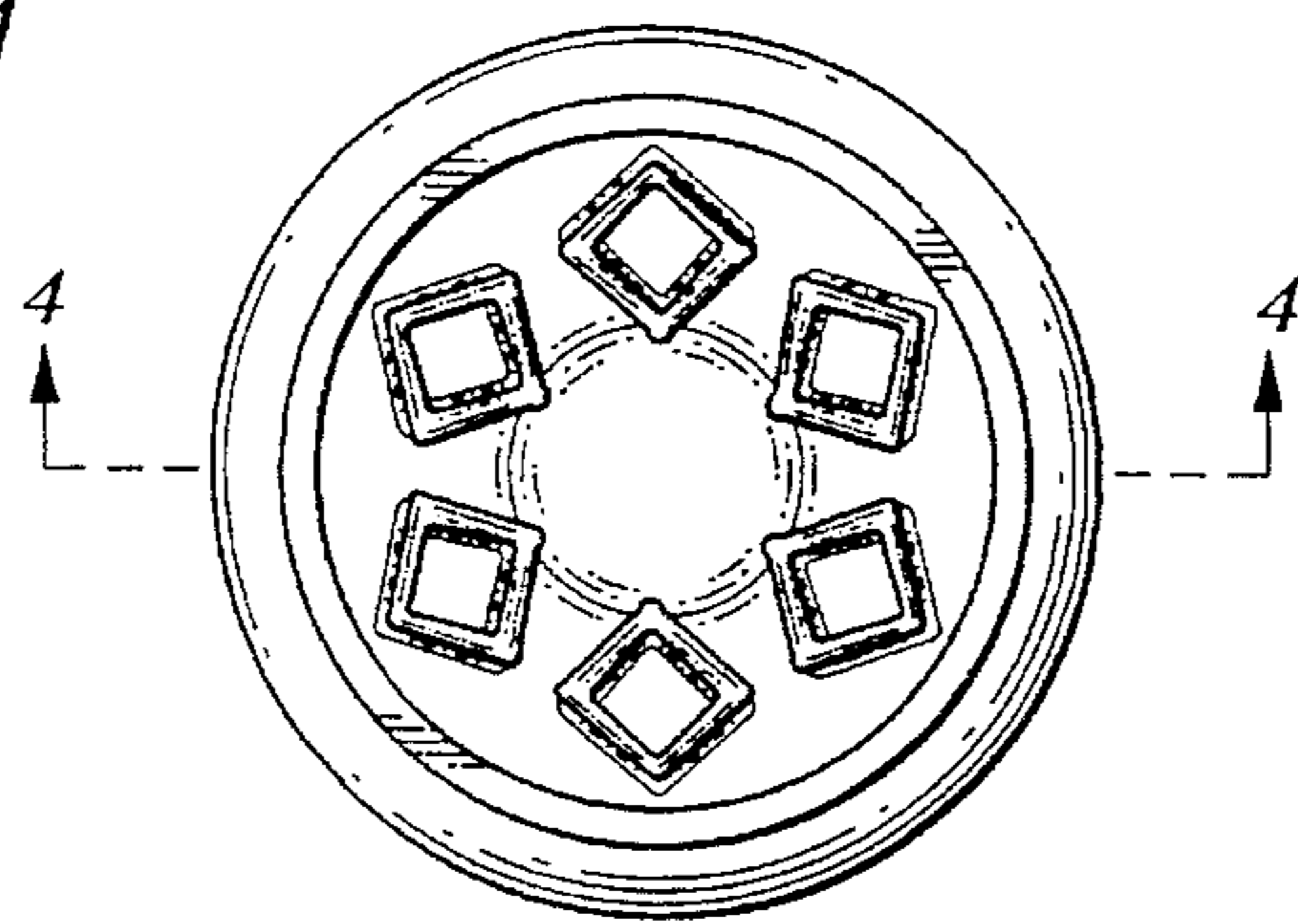


Fig. 3

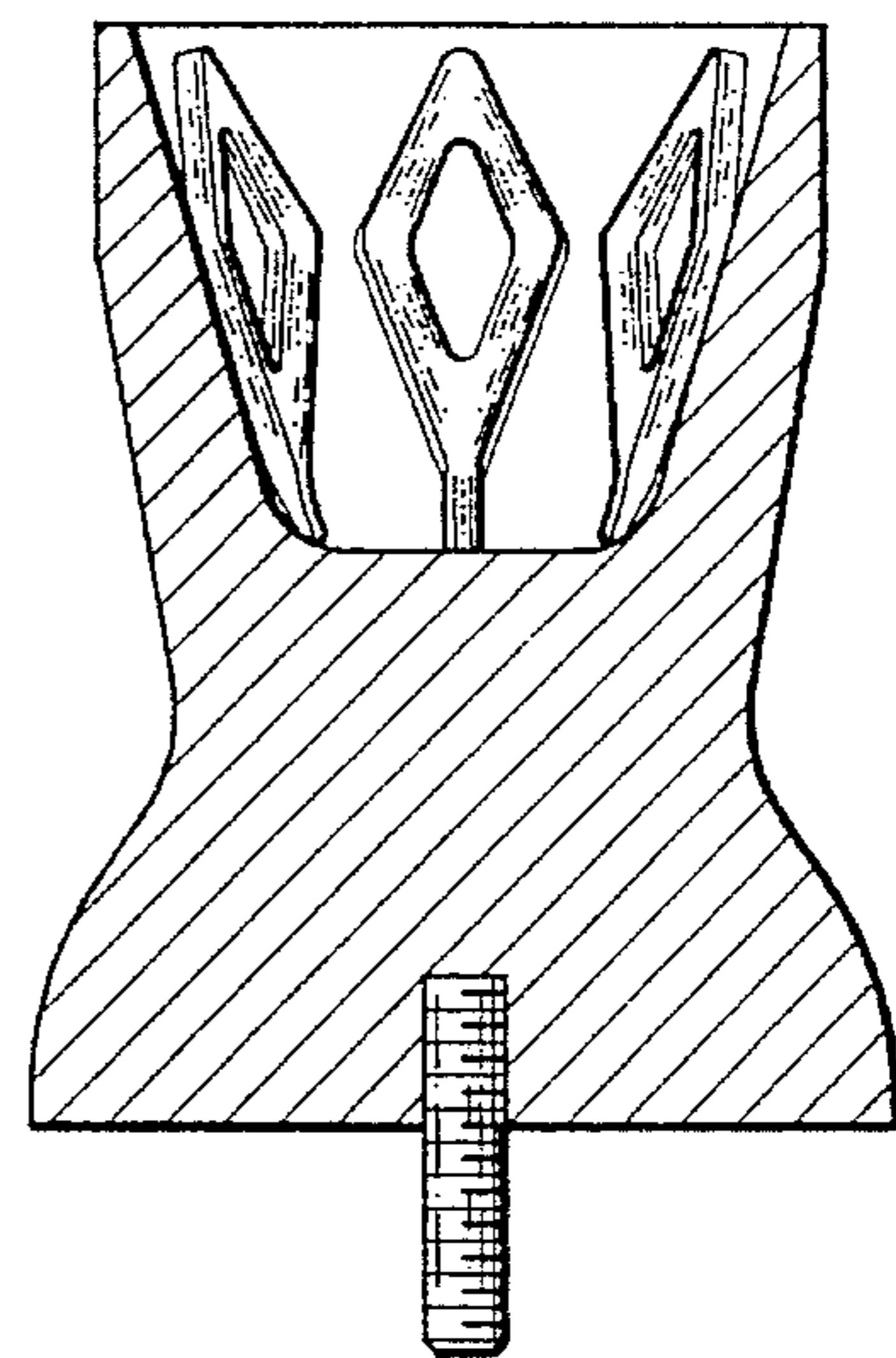


Fig. 4

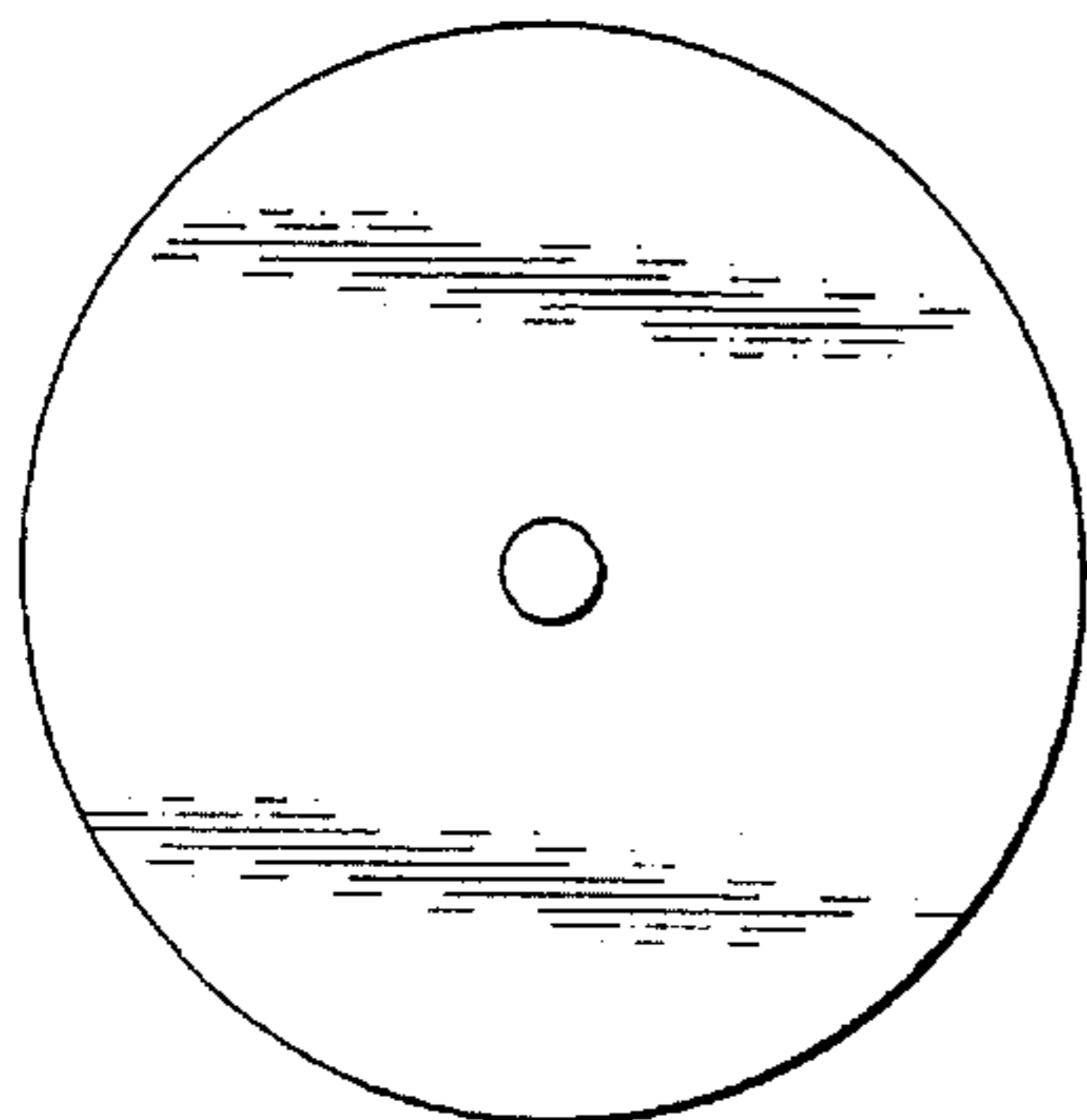


Fig. 5

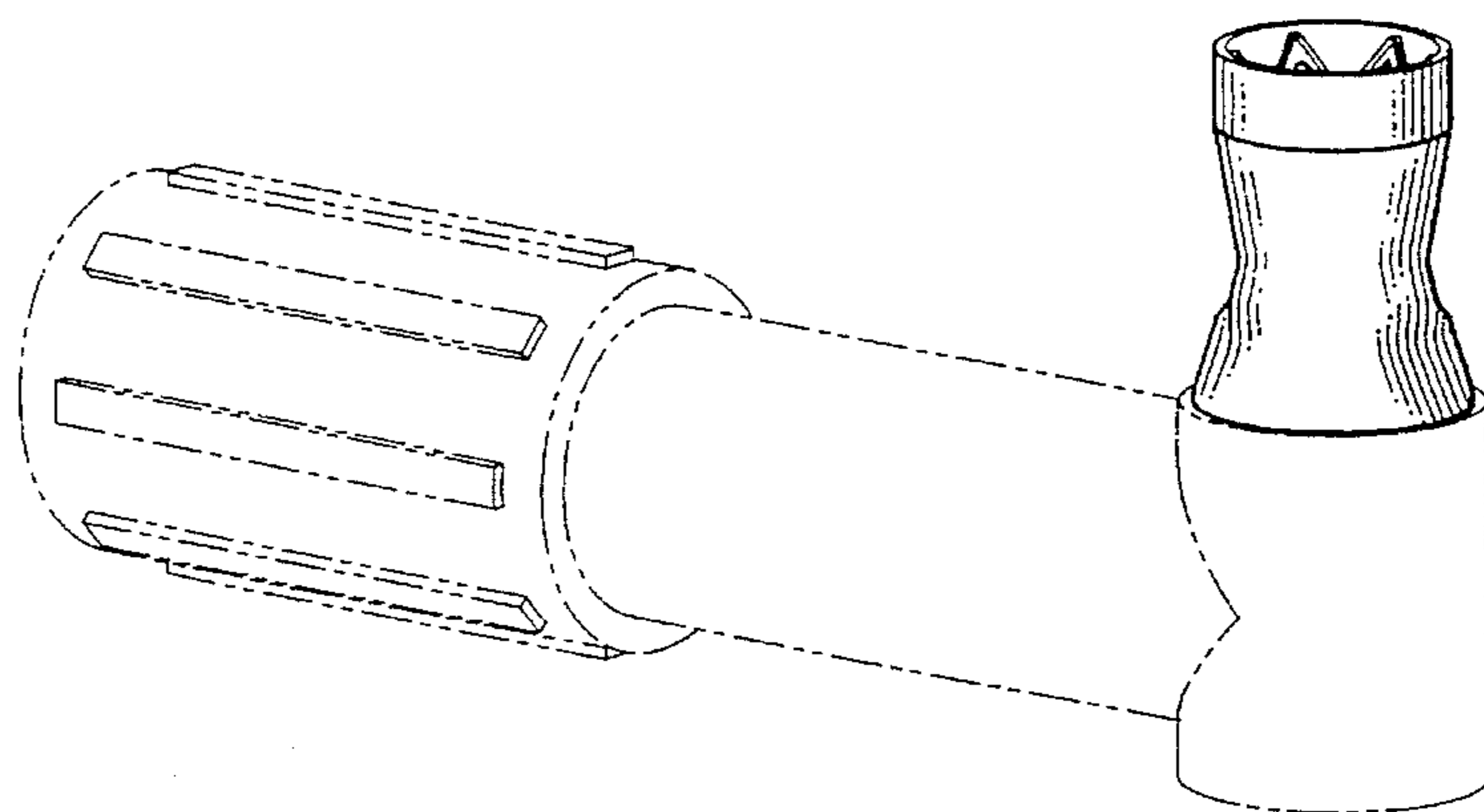


Fig. 6