



US00D368522S

United States Patent [19] Friedrich

[11] **Patent Number:** **Des. 368,522**
[45] **Date of Patent:** ****Apr. 2, 1996**

[54] **COMBINED STRESS TESTING CABLE AND BELT**

5,072,458 12/1991 Suzuki .
5,080,105 1/1992 Thornton 128/670
5,109,421 4/1992 Fox .

[76] Inventor: **Alice D. Friedrich**, 57 Ketcham Ave.,
Amityville, N.Y. 11701

Primary Examiner—Stella Reid

[**] Term: **14 Years**

[57] **CLAIM**

[21] Appl. No.: **19,764**

The ornamental design for the a combined stress testing cable and belt, as shown and described.

[22] Filed: **Mar. 11, 1994**

DESCRIPTION

[52] **U.S. Cl.** **D24/167**

[58] **Field of Search** D24/167, 168;
128/639-641, 696, 670, 700; 482/96

FIG. 1 is a front elevational view of the a combined stress testing cable and belt showing my new design;
FIG. 2 is a rear elevational view thereof;
FIG. 3 is a left side elevational view thereof;
FIG. 4 is a right side elevational view thereof;
FIG. 5 is a top plan view thereof;
FIG. 6 is a bottom plan view thereof; and,
FIG. 7 is an enlarged perspective view thereof.

[56] **References Cited**

U.S. PATENT DOCUMENTS

4,412,546 11/1983 Barthels .
4,698,848 10/1987 Buckley .
4,720,093 1/1988 Del Mar 482/96
4,781,200 11/1988 Baker .
4,883,063 11/1989 Bernard et al. 128/670

1 Claim, 4 Drawing Sheets

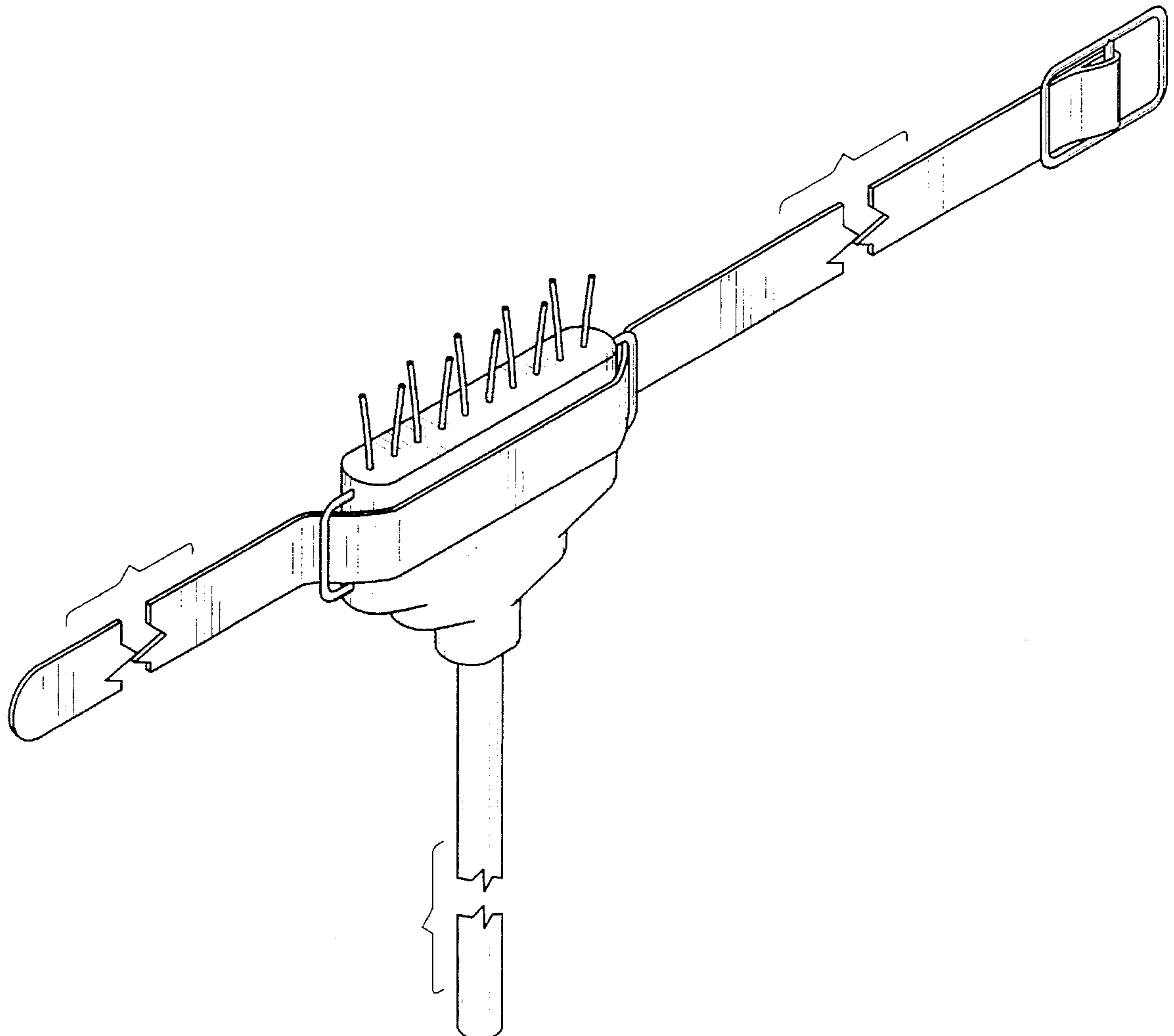


FIG. 1

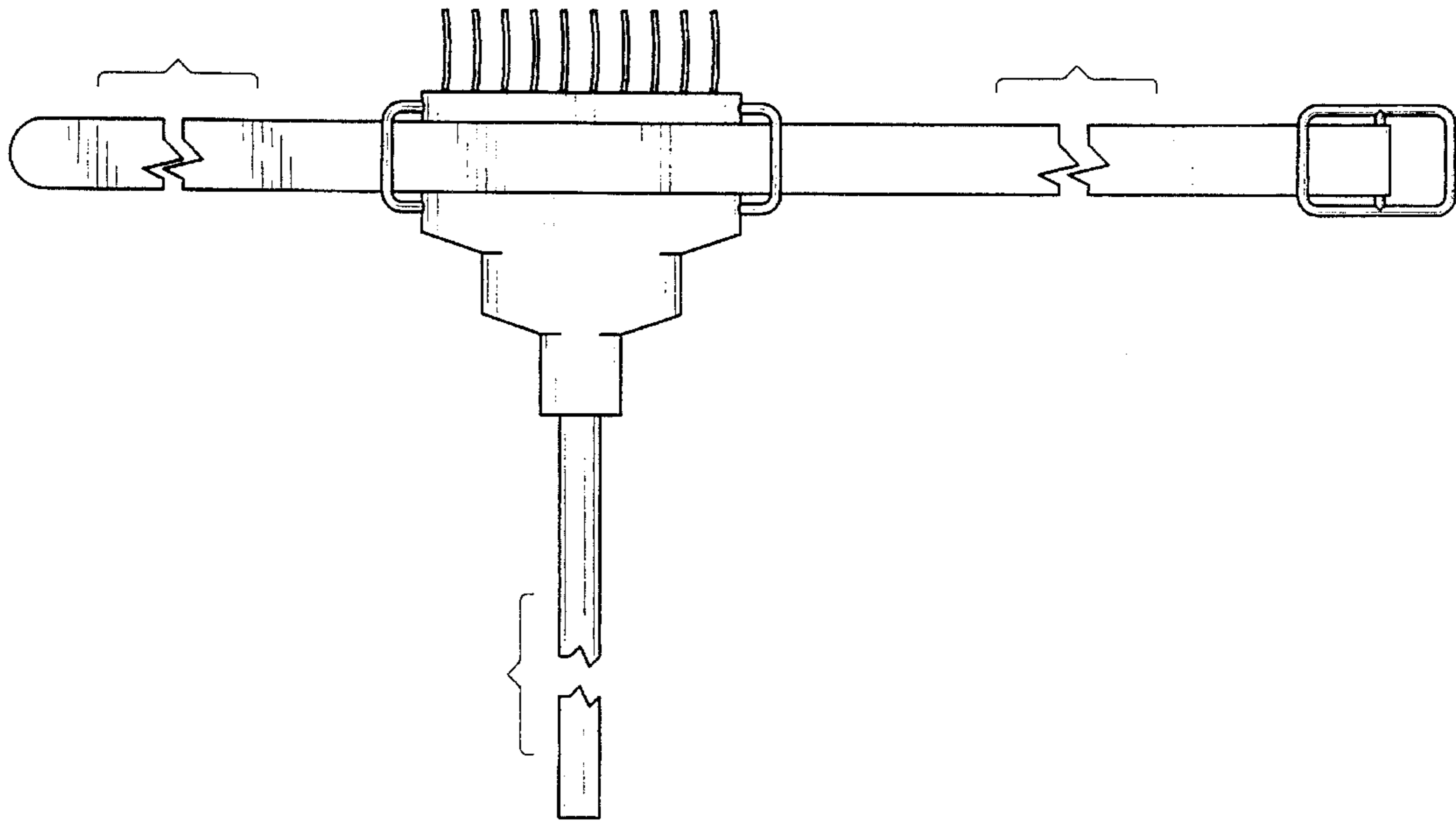


FIG. 2

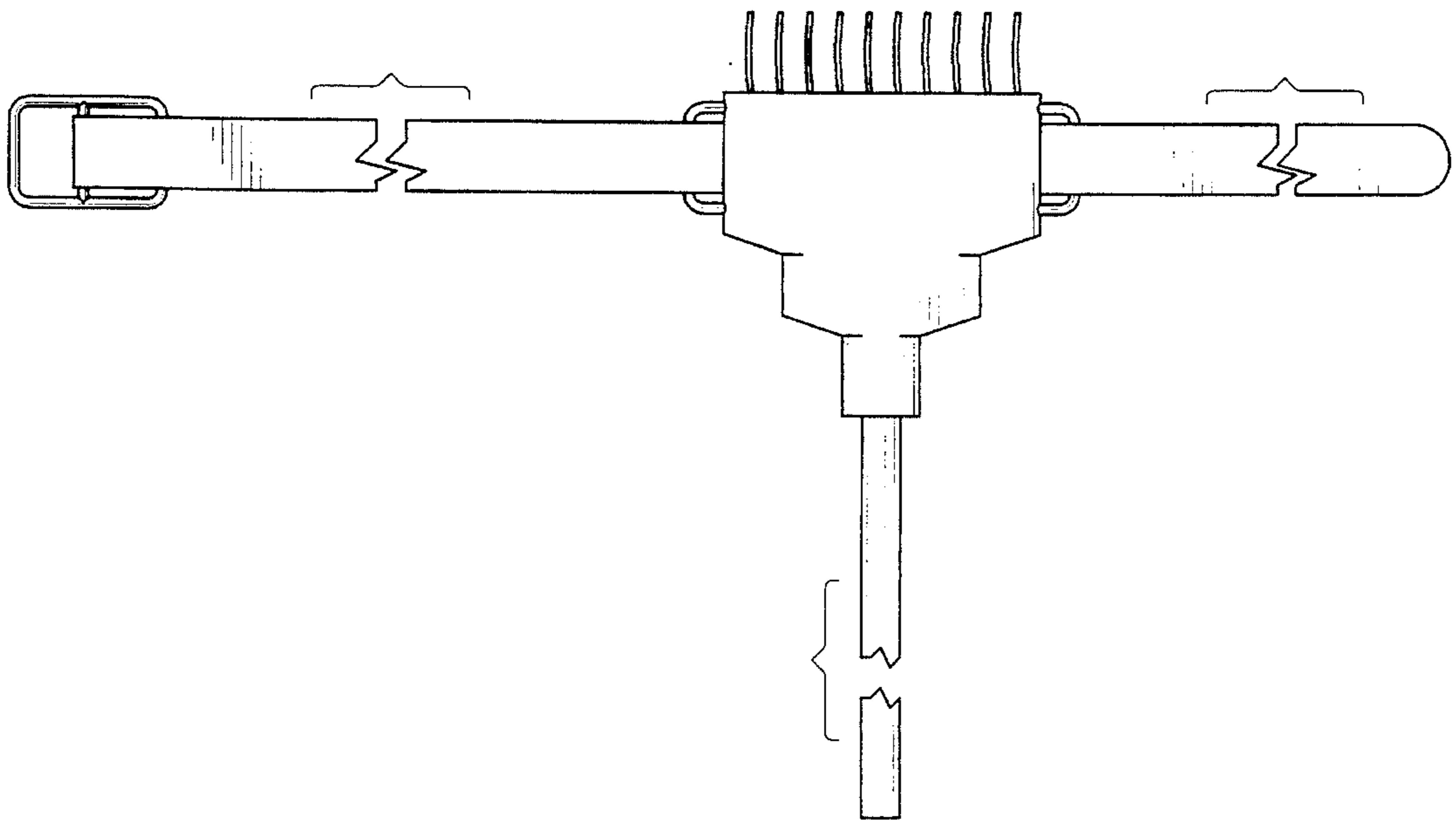


FIG. 3

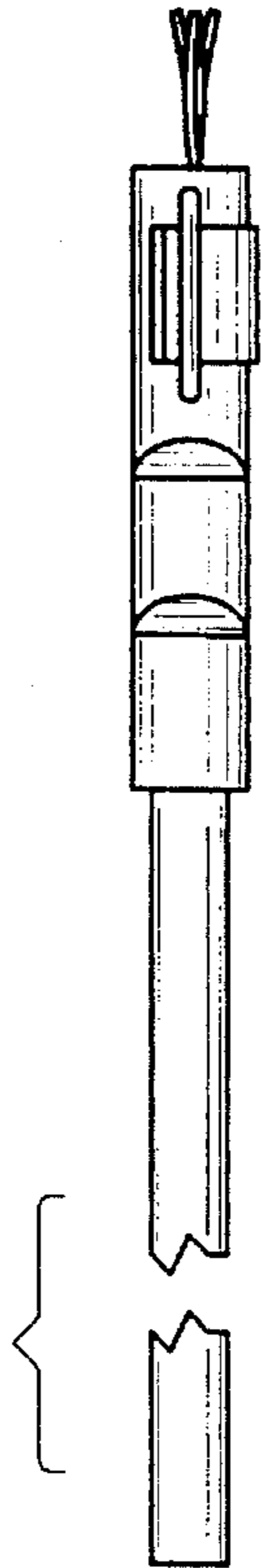


FIG. 4

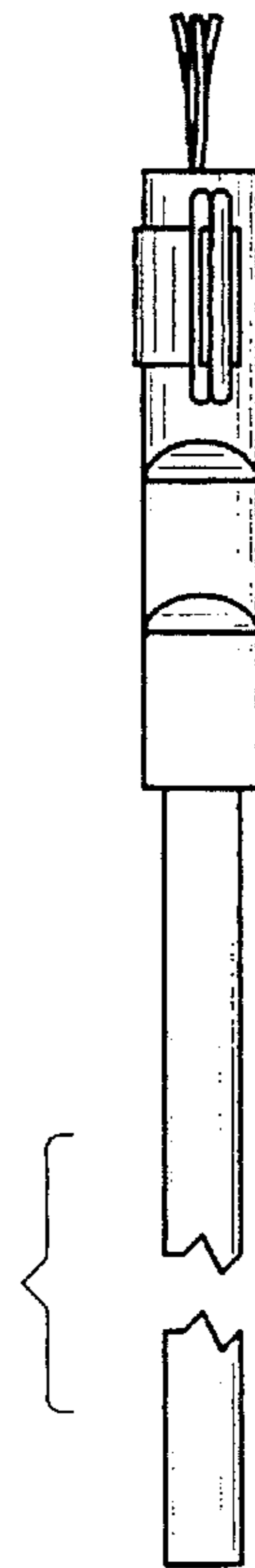


FIG. 5

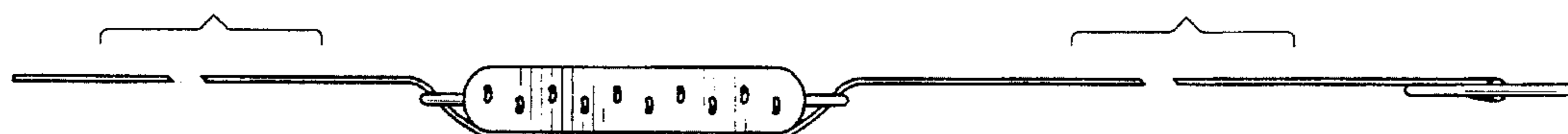


FIG. 6



FIG. 7

