



US00D368521S

United States Patent [19]

Asai et al.

[11] Patent Number: **Des. 368,521**

[45] Date of Patent: ****Apr. 2, 1996**

[54] **ULTRASONIC DIAGNOSTIC UNIT**

[75] Inventors: **Yoshihiko Asai**, Tokyo; **Satoru Kotani**, Kanagawa; **Kazutoshi Ishii**, Kanagawa; **Masayuki Yoshii**, Kanagawa; **Koji Kubo**, Kanagawa, all of Japan

[73] Assignee: **Matsushita Electric Industrial Co., Ltd.**, Osaka, Japan

[**] Term: **14 Years**

[21] Appl. No.: **22,060**

[22] Filed: **Apr. 28, 1994**

[30] **Foreign Application Priority Data**

Oct. 29, 1993 [JP] Japan 5-32879

[52] U.S. Cl. **D24/160**

[58] Field of Search D24/160, 186; 128/653, 660.01, 660.02, 660.03, 660.07

[56] **References Cited**

U.S. PATENT DOCUMENTS

D. 280,762 9/1985 LaCelle et al. D24/160
D. 306,343 2/1990 Ungar D24/160

D. 334,981 4/1993 Davis et al. D24/160
D. 347,896 6/1994 Dickinson et al. D24/185
4,625,731 12/1986 Quedens et al. 128/660.01

OTHER PUBLICATIONS

Luketron Catalog 1992 of May 1992 (Mochida Pharmaceutical Co., Ltd.), 4 pgs.

Primary Examiner—Stella Reid
Attorney, Agent, or Firm—Sughrue, Mion, Zinn, Macpeak & Seas

[57] **CLAIM**

The ornamental design for an ultrasonic diagnostic unit, as shown.

DESCRIPTION

FIG. 1 is a perspective view of the front and right side of an ultrasonic diagnostic unit showing our new design; FIG. 2 is a front elevational view thereof; FIG. 3 is a rear elevational view thereof; FIG. 4 is a side elevational view of the left side thereof; FIG. 5 is a side elevational view of the right side thereof; FIG. 6 is a top plan view thereof; and, FIG. 7 is a bottom plan view thereof.

1 Claim, 4 Drawing Sheets

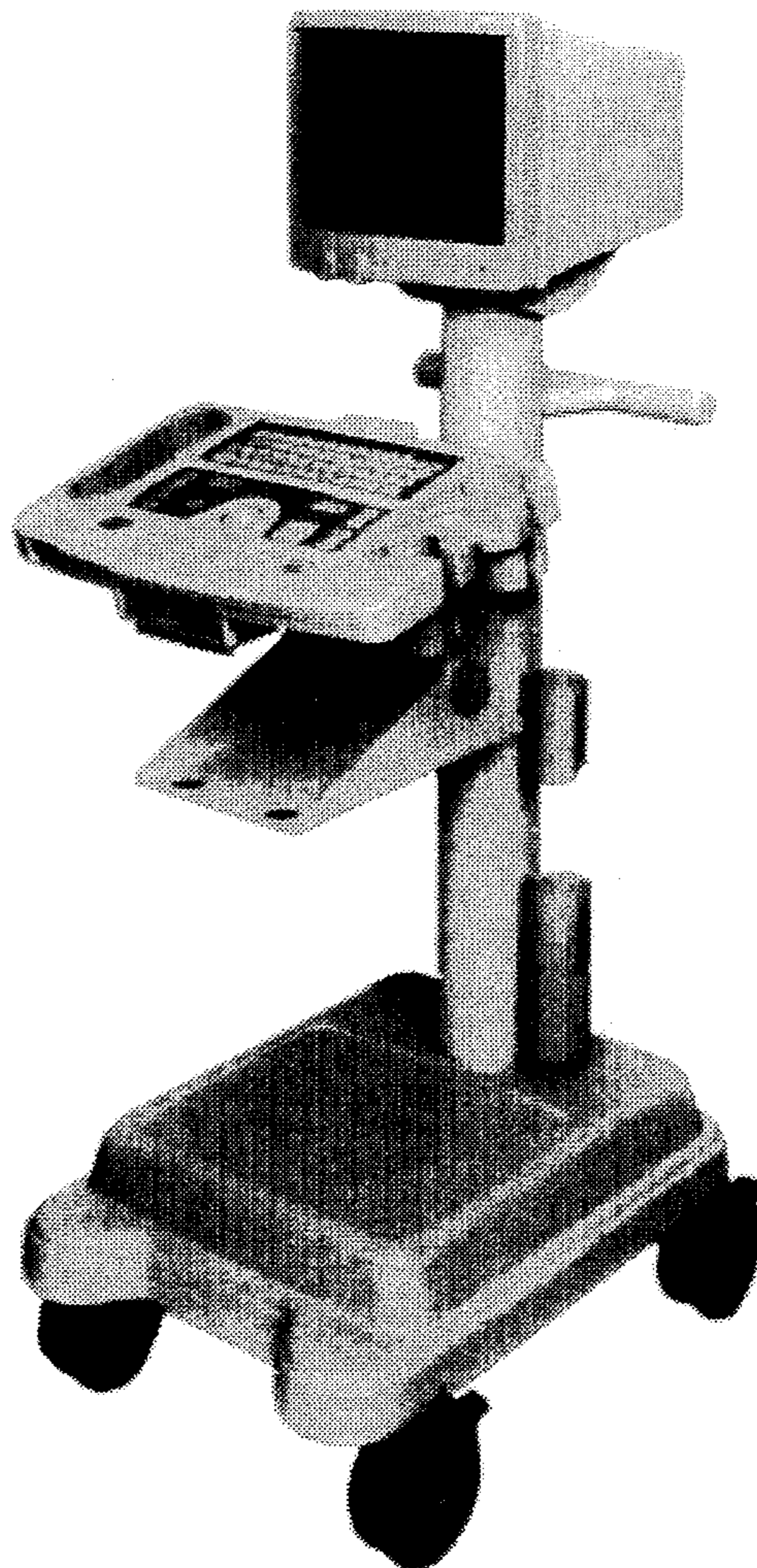


FIG. 1

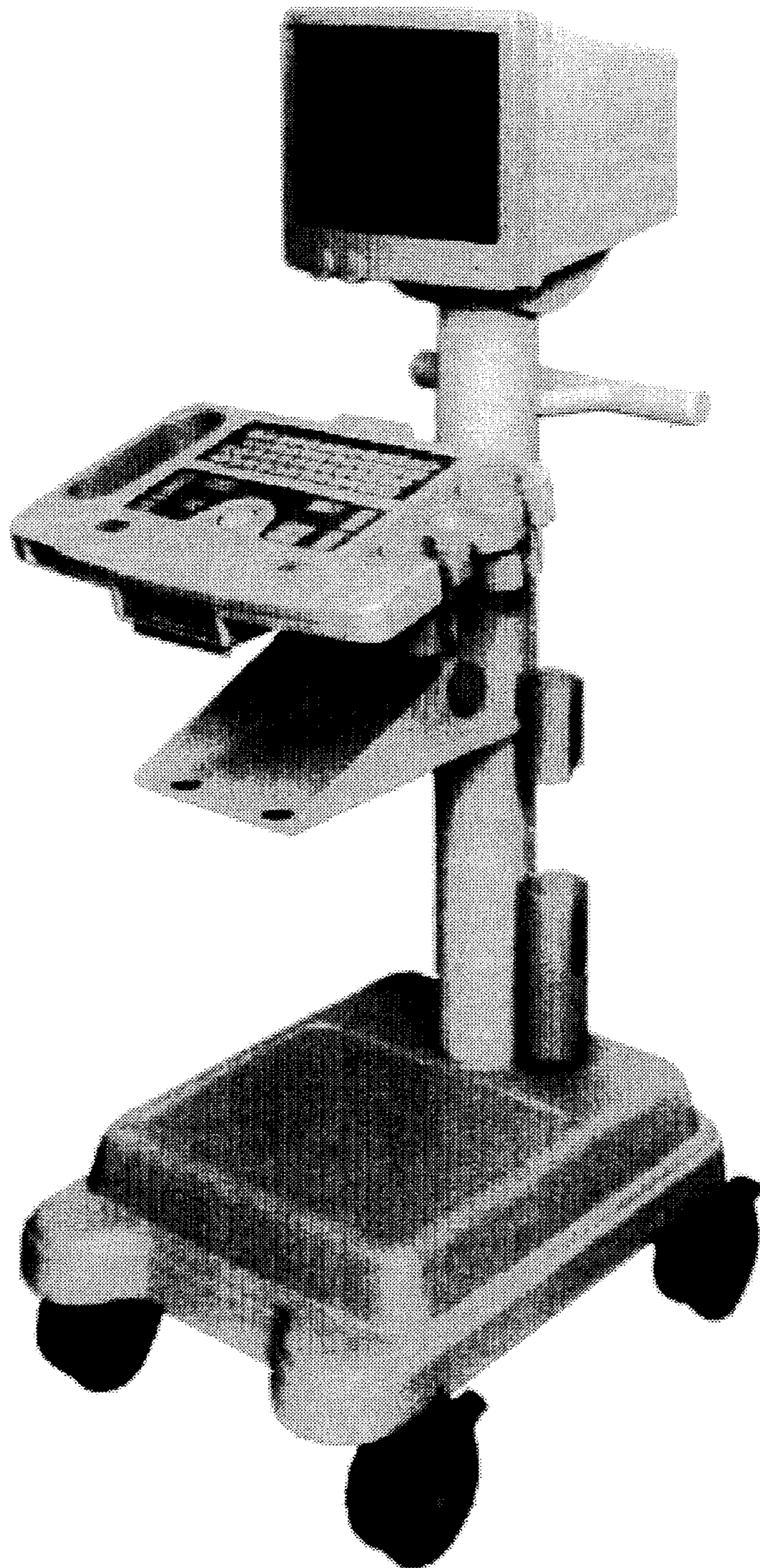


FIG. 3

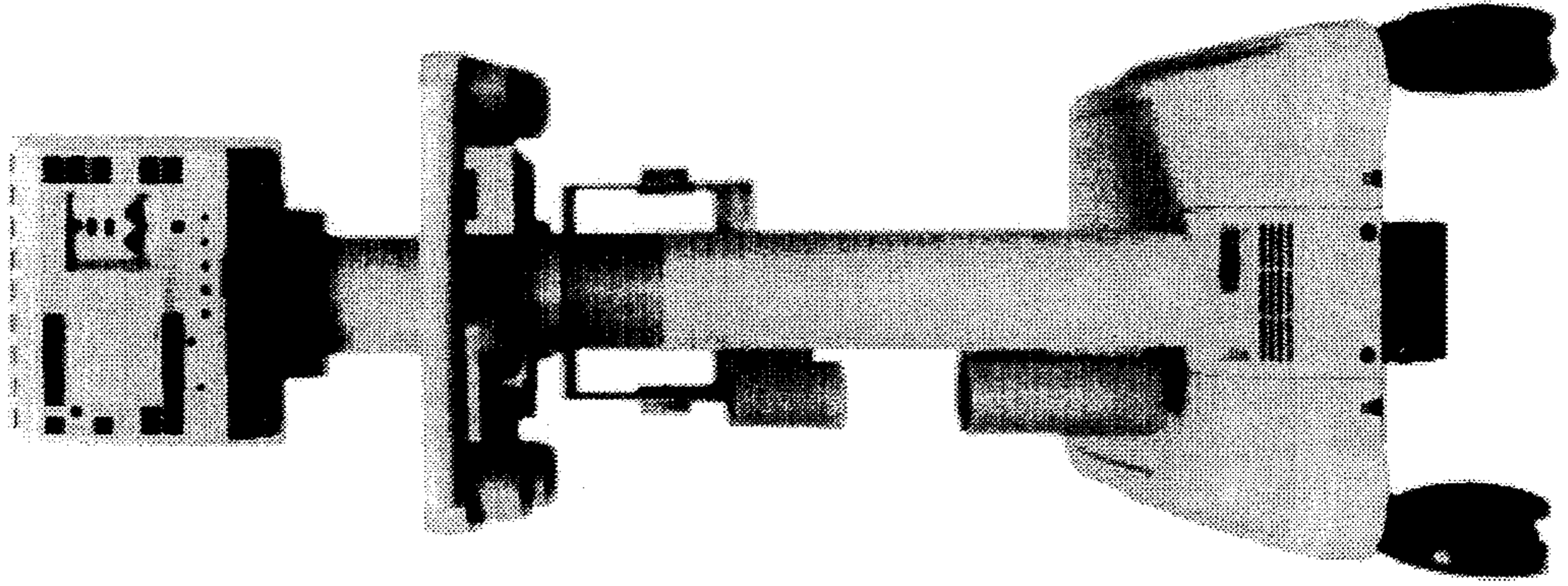


FIG. 2

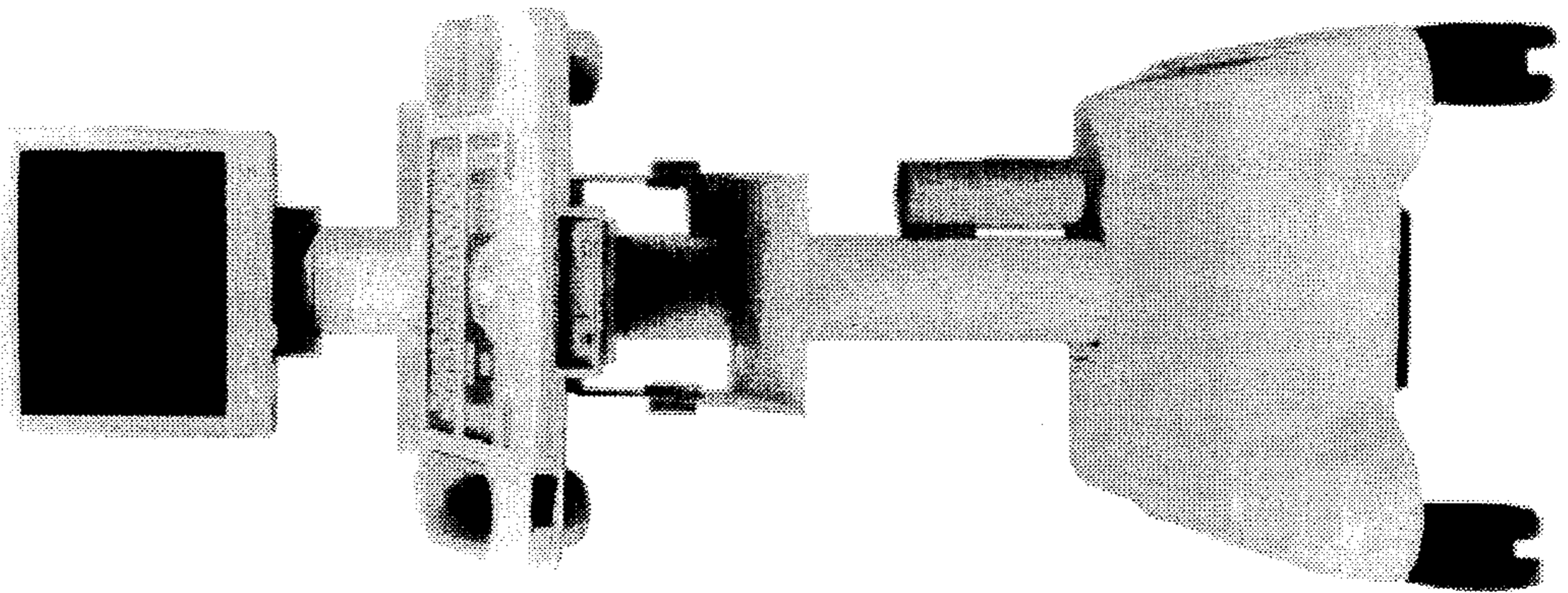


FIG. 5

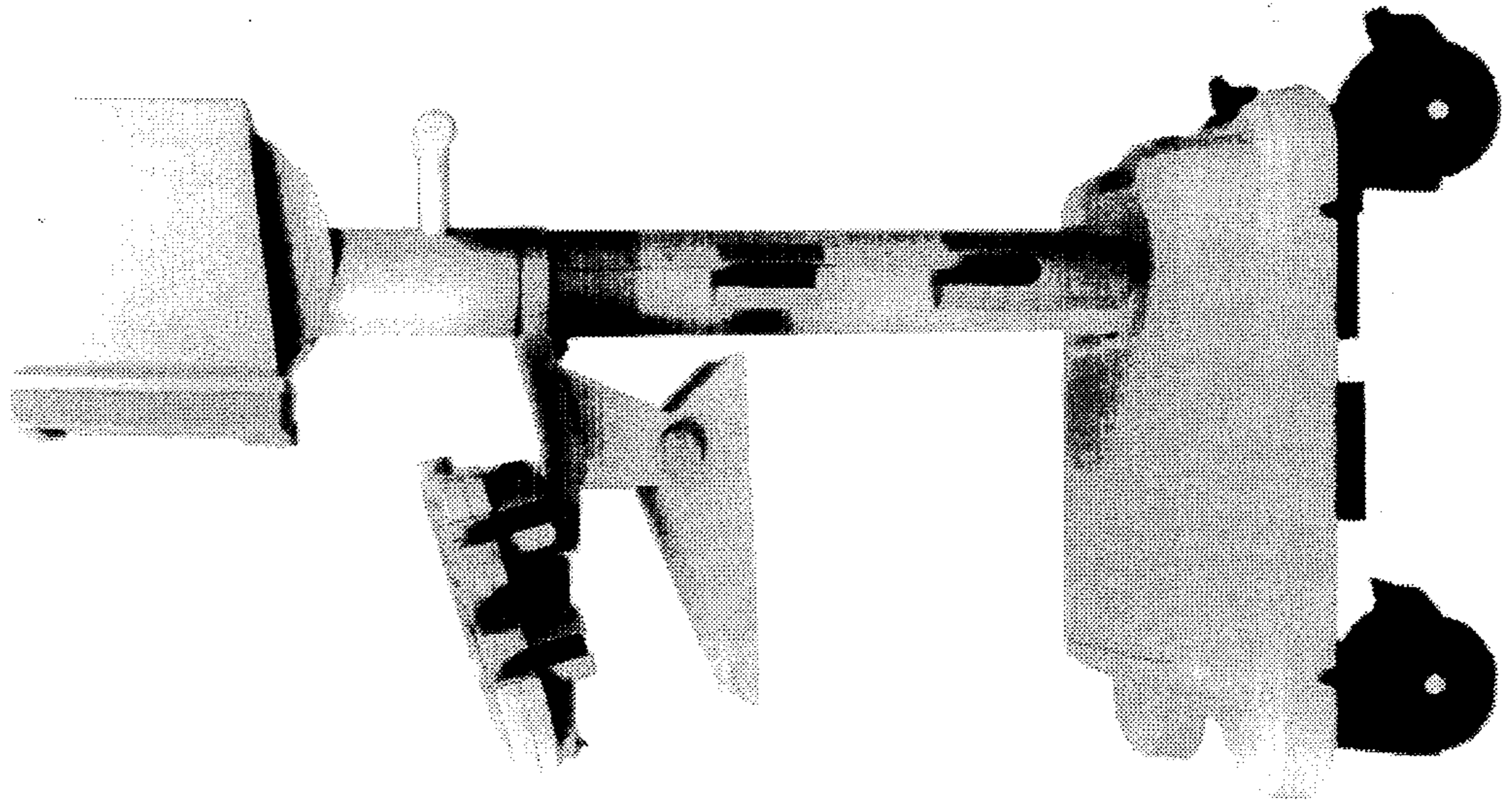


FIG. 4

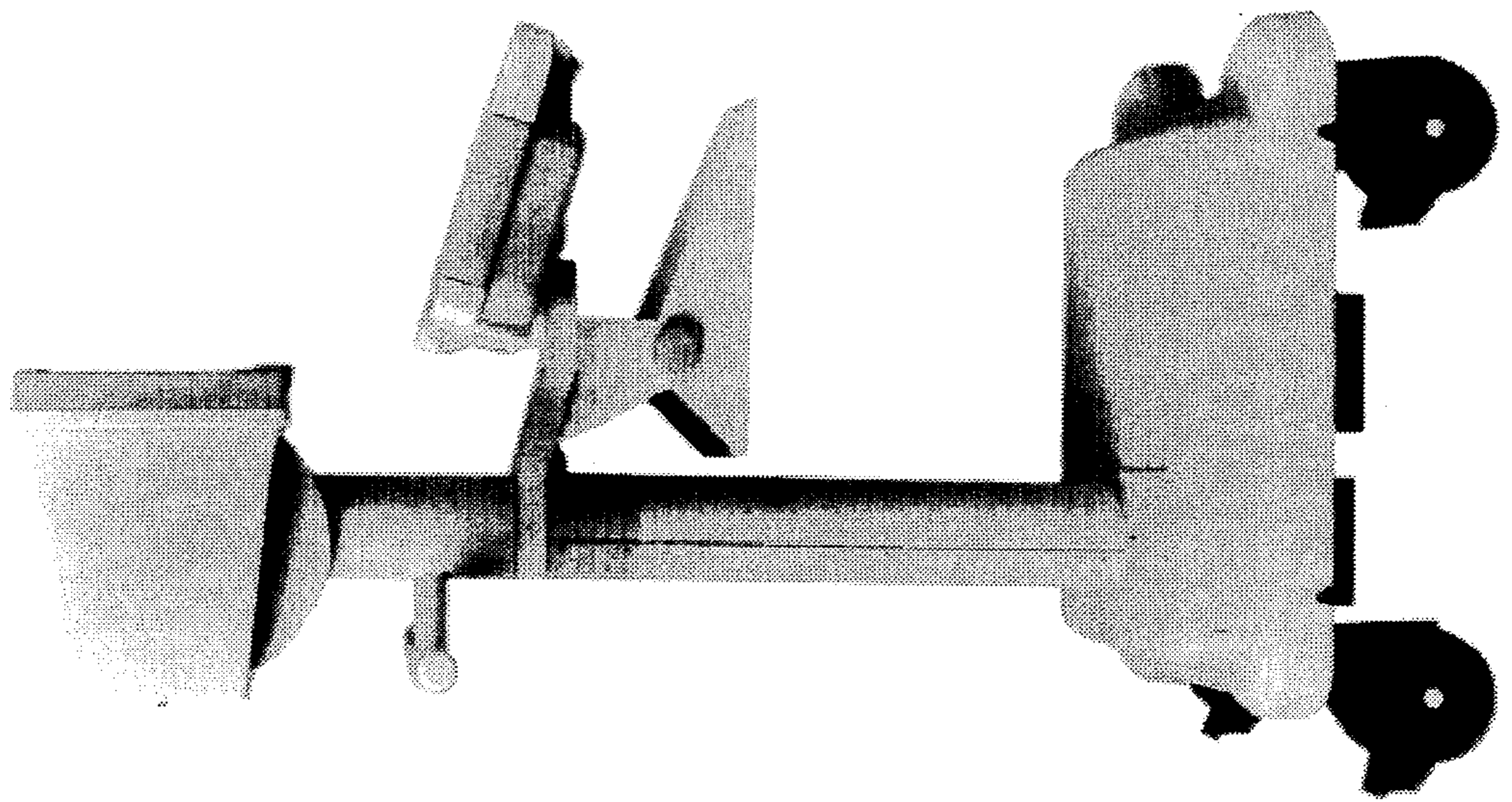


FIG. 7

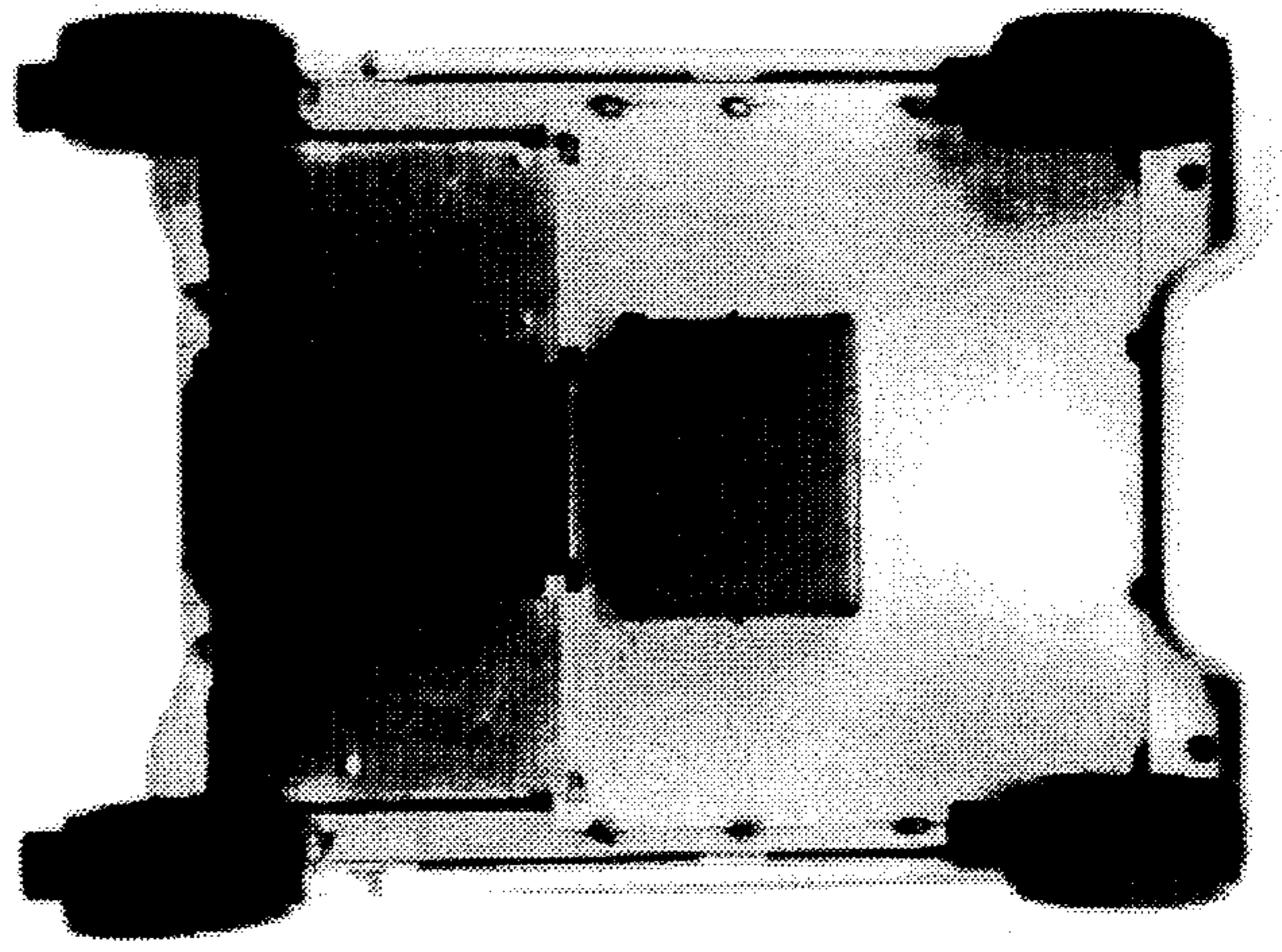


FIG. 6

