



US00D368515S

United States Patent [19]
Greubel

[11] **Patent Number: Des. 368,515**
[45] **Date of Patent: **Apr. 2, 1996**

[54] **HOSE GUIDE**
[76] Inventor: **Philip A. Greubel**, 19052 Willow Brook La., Trabuco Canyon, Calif. 92679
[**] Term: **14 Years**
[21] Appl. No.: **33,324**
[22] Filed: **Jan. 10, 1995**
[52] U.S. Cl. **D23/266**
[58] **Field of Search** D23/266; D8/354, D8/356; 226/197; 52/155; 242/157 R, 615.2; D24/112, 146, 130, 114; 128/749, 753, 754, 164; 248/87

3,829,065 8/1974 Less 254/190 C
4,452,386 6/1984 McElyes 226/197
4,815,645 3/1989 Higgins 226/197
5,090,647 2/1992 Clarke 248/87
5,203,526 4/1993 Green et al. 248/87

Primary Examiner—Stella Reid
Assistant Examiner—E. Watterson
Attorney, Agent, or Firm—Stetina Brunda & Buyan

[57] **CLAIM**

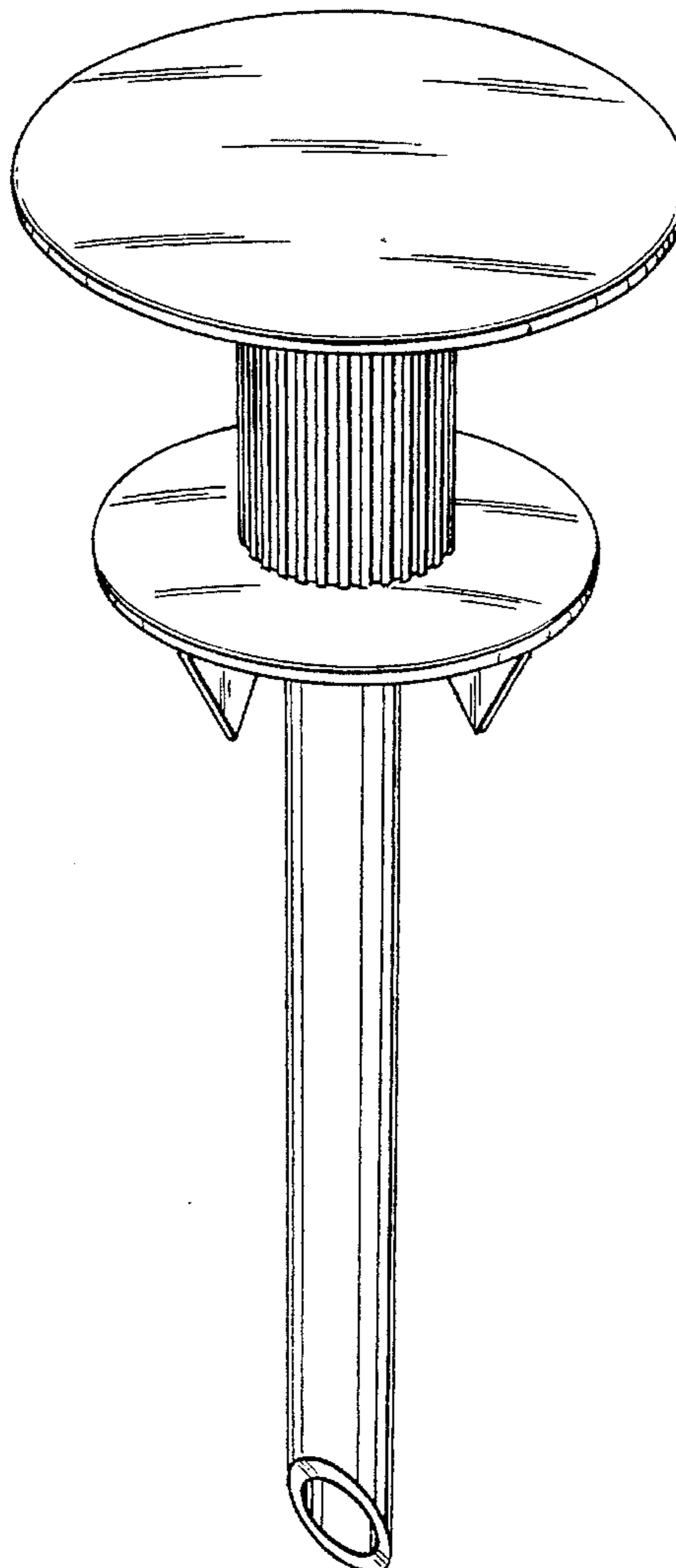
The ornamental design for a hose guide, as shown and described.

DESCRIPTION

FIG. 1 is a top perspective view of a hose guide showing my new design;
FIG. 2 is a front view thereof, the rear being a mirror image thereof;
FIG. 3 is a bottom perspective view of the invention; and,
FIG. 4 is a cross-sectional view taken along line 4—4 of FIG. 2.

[56] **References Cited**
U.S. PATENT DOCUMENTS
2,501,407 3/1950 Olson et al. 254/190
2,618,465 11/1952 Austin, Jr. 254/190
2,846,189 8/1958 MacLaughlin 254/190
2,974,933 3/1961 Belanger 254/190
3,249,337 5/1966 Neumann 254/190

1 Claim, 1 Drawing Sheet



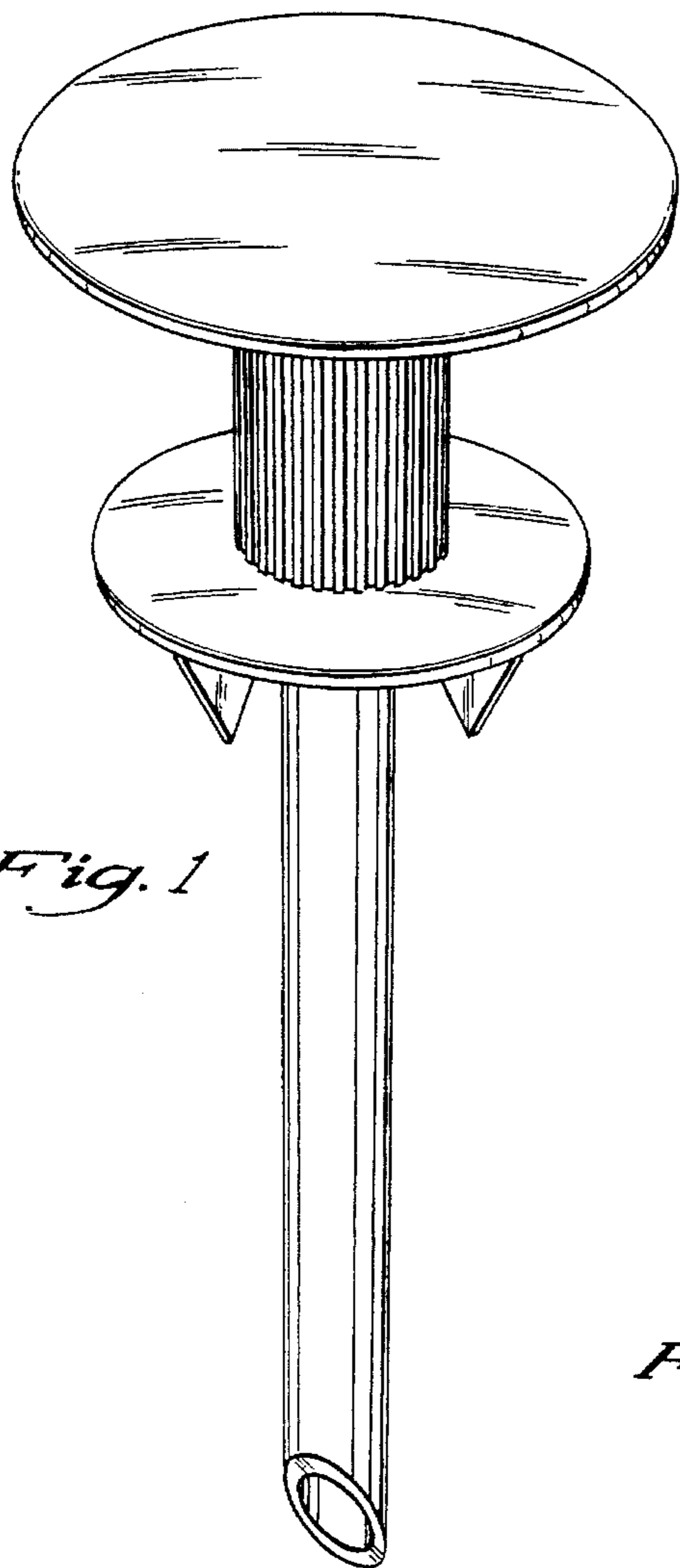


Fig. 1

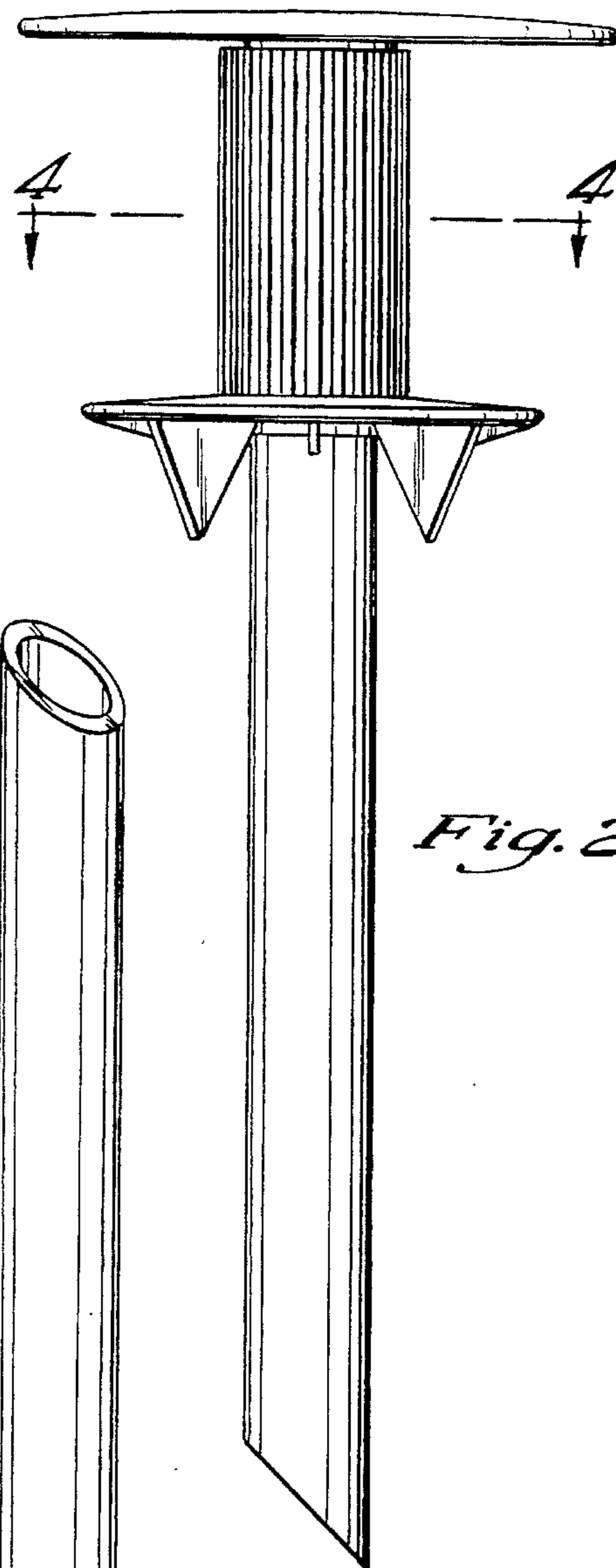


Fig. 2

Fig. 3

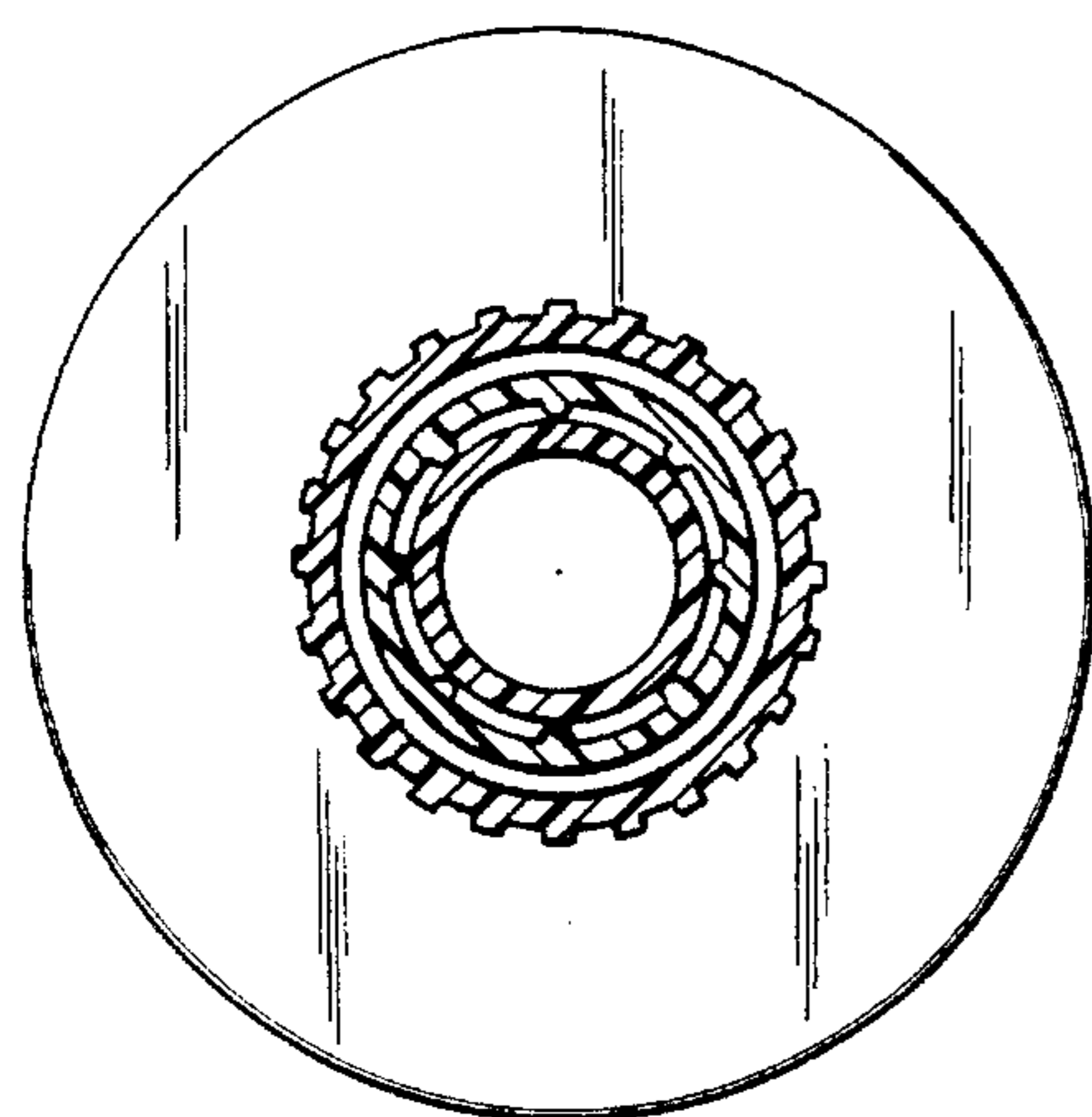
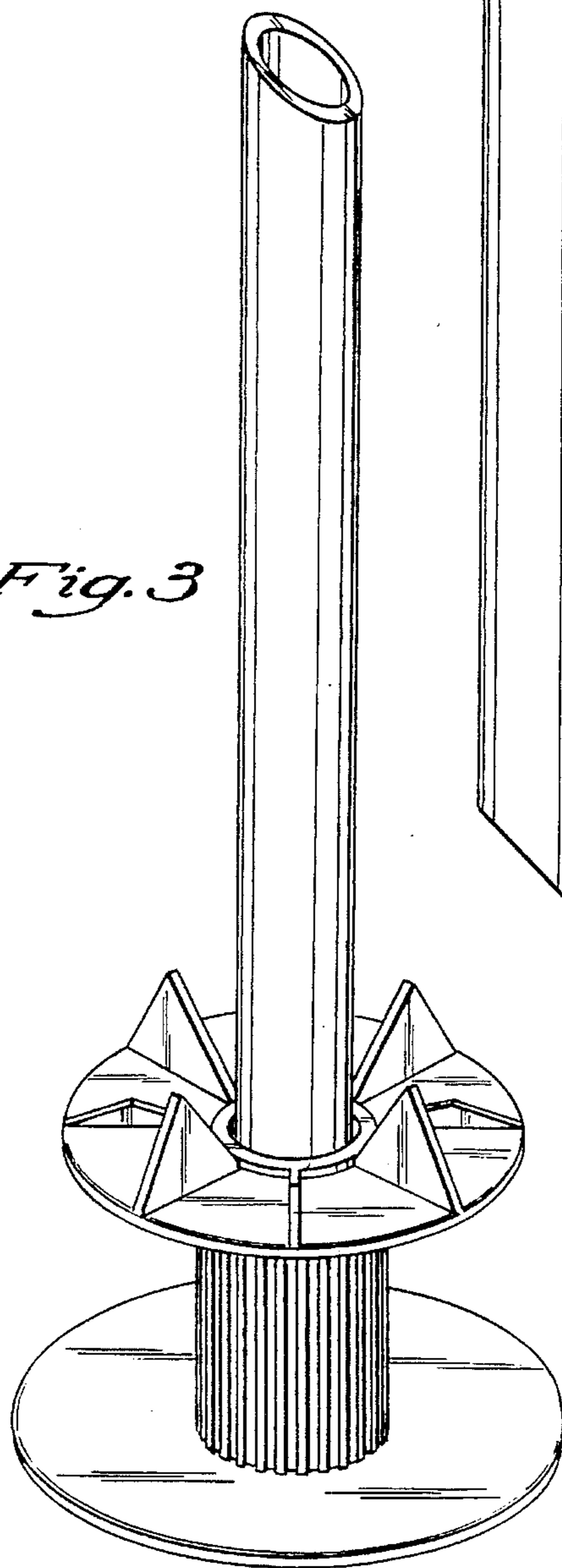


Fig. 4