



US00D368511S

United States Patent [19]

Williams

[11] Patent Number: **Des. 368,511**

[45] Date of Patent: ****Apr. 2, 1996**

[54] **HYDRAULIC POWER SOURCE FOR SHOTSHELL RELOADER**

2,452,035	10/1948	Chadwick et al.	89/46
3,884,119	5/1975	Zouck	89/46 X
4,819,518	4/1989	Pahnke	89/46

[76] Inventor: **Darin Williams**, S. 763 Hwy. 1, P.O. Box 8, Rathdrum, Id. 83858

Primary Examiner—Louis S. Zarfes
Assistant Examiner—Monica A. Hannon
Attorney, Agent, or Firm—Keith S. Bergman

[**] Term: **14 Years**

[21] Appl. No.: **30,670**

[57] **CLAIM**

[22] Filed: **Nov. 4, 1994**

The ornamental design for hydraulic power source for shotshell reloader, as shown and described.

[52] U.S. Cl. **D22/108; D22/199**

DESCRIPTION

[58] **Field of Search** D22/116, 100, D22/108, 199; 42/50; 86/29, 31, 32, 43, 46; 89/23, 36, 46; D34/31; 417/401; 91/341 A; D15/7

FIG. 1 is an isometric view of hydraulic power source for shotshell reloader showing my new design; FIG. 2 is a right side elevational view thereof; FIG. 3 is a left side elevational view thereof; FIG. 4 is a top plan view thereof; FIG. 5 is a rear elevational view thereof; and, FIG. 6 is a front elevational view thereof.

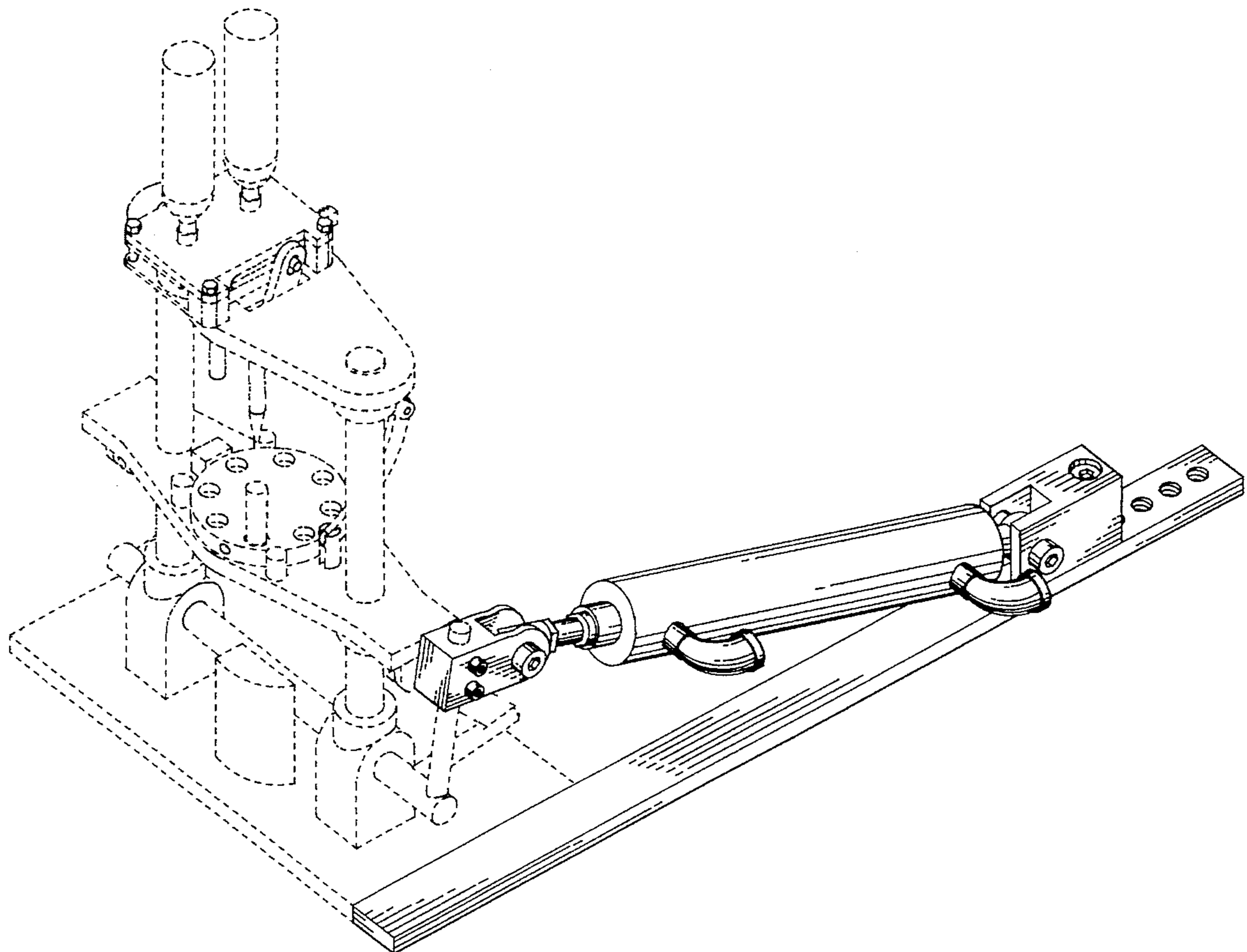
[56] **References Cited**

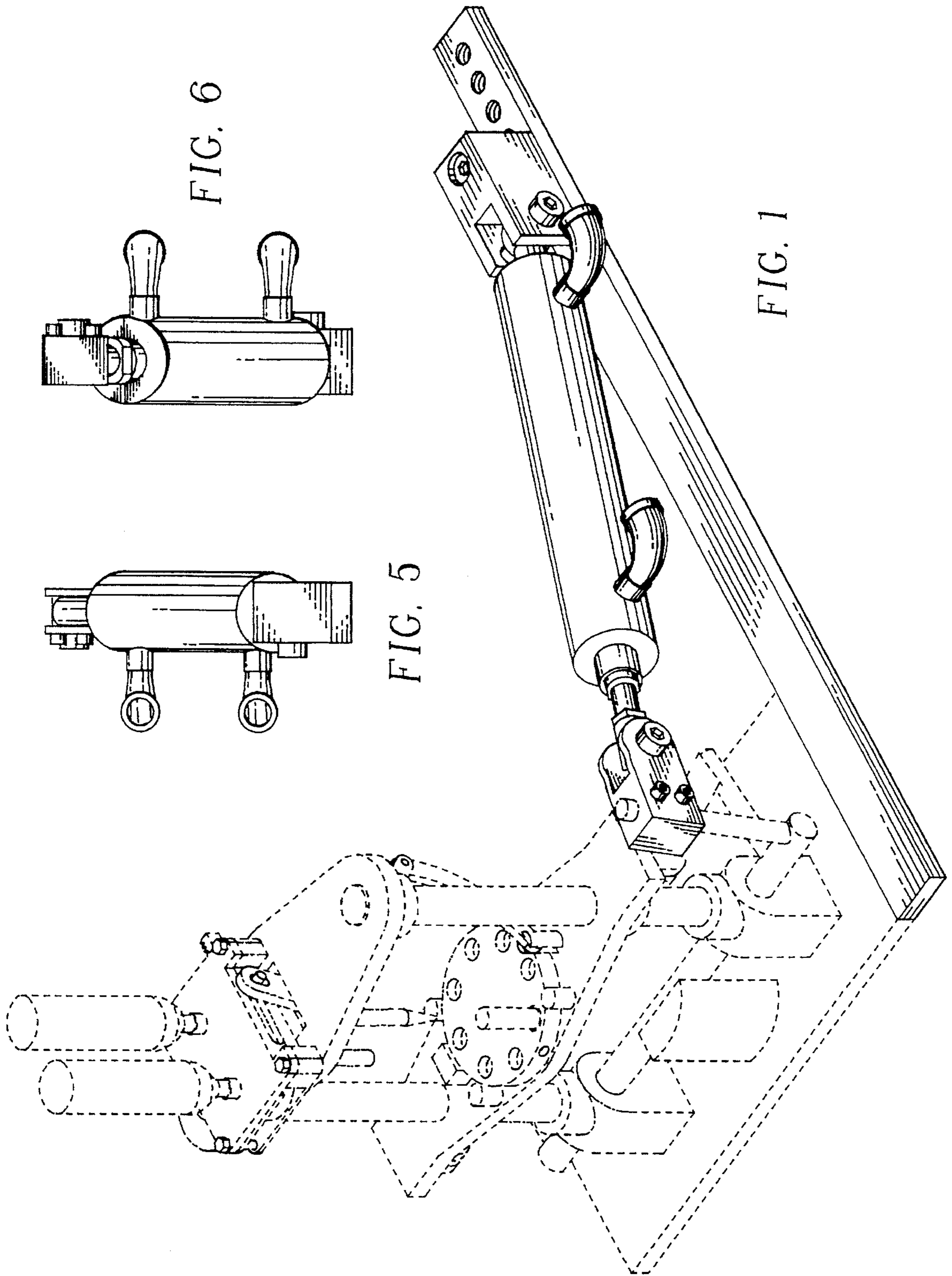
U.S. PATENT DOCUMENTS

D. 142,246	8/1945	Schuler	D22/199
D. 143,168	12/1945	Rockwell	34/31
D. 270,912	10/1983	Sessody	D15/7
D. 340,108	10/1993	Spolar	D22/199
380,688	4/1888	Murray	89/46
2,387,777	10/1945	Stanton et al.	89/46

The broken line showing of a shotshell reloader in FIG. 1 is for illustrative purposes only and forms no part of the claimed design.

1 Claim, 2 Drawing Sheets





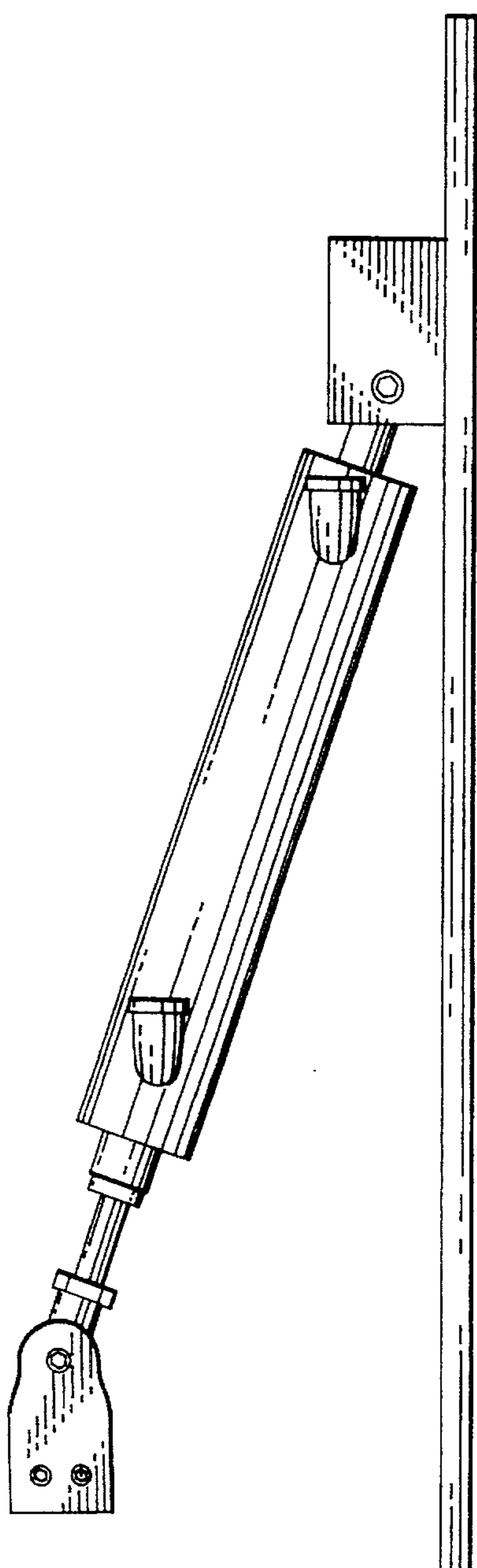


FIG. 2

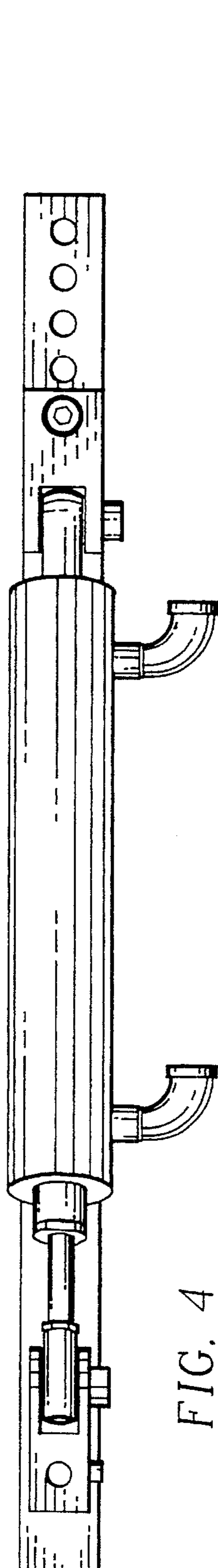


FIG. 4

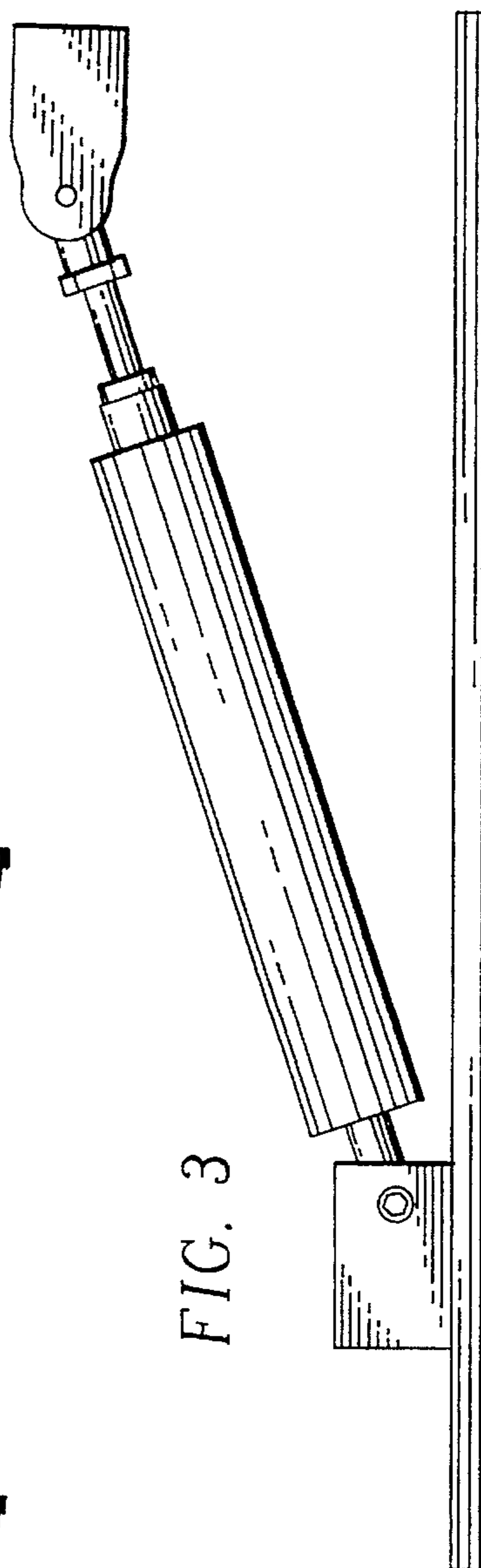


FIG. 3