



US00D368509S

United States Patent [19]

[11] Patent Number: **Des. 368,509**

Kenney

[45] Date of Patent: ****Apr. 2, 1996**

[54] **STREAMLINE BOUYANT SWIMMING AID**

D. 321,742 11/1991 Yu D21/238

[76] Inventor: **Cory Kenney**, P.O. Box 330, Hardin, Mont. 59034

4,936,805 6/1990 Piatt, Jr. 441/106

5,022,879 6/1991 Diforte 441/113

[**] Term: **14 Years**

Primary Examiner—Kay H. Chin
Attorney, Agent, or Firm—H. Jay Spiegel

[21] Appl. No.: **41,243**

[57] **CLAIM**

[22] Filed: **Jul. 10, 1995**

The ornamental design for a streamlined buoyant swimming aid, as shown and described.

Related U.S. Application Data

DESCRIPTION

[63] Continuation-in-part of Ser. No. 21,077, Apr. 8, 1994, abandoned.

[52] U.S. Cl. **D21/238**; D21/237

[58] Field of Search D21/236, 237, D21/238; 441/113, 94, 108, 122, 109, 110, 111, 81

FIG. 1 shows a bottom view of my claimed design; FIG. 2 shows a front view thereof; FIG. 3 shows a side view thereof; FIG. 4 shows a rear view thereof; FIG. 5 shows a perspective view thereof; and, FIG. 6 shows an exploded view of one of the strap fasteners thereof.

[56] **References Cited**

U.S. PATENT DOCUMENTS

D. 320,059 9/1991 Bedortha et al. D21/236

1 Claim, 3 Drawing Sheets

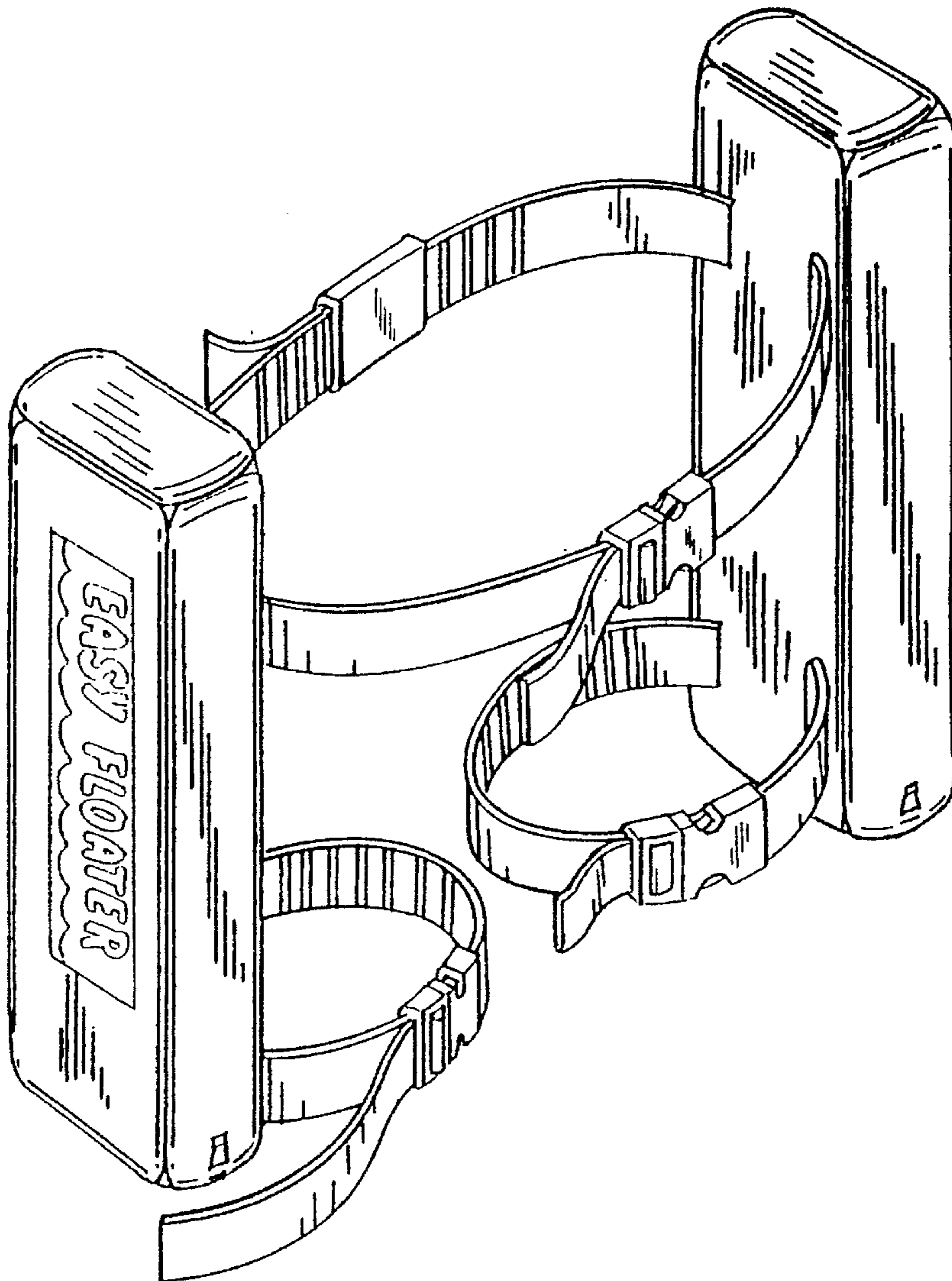


FIG. 1

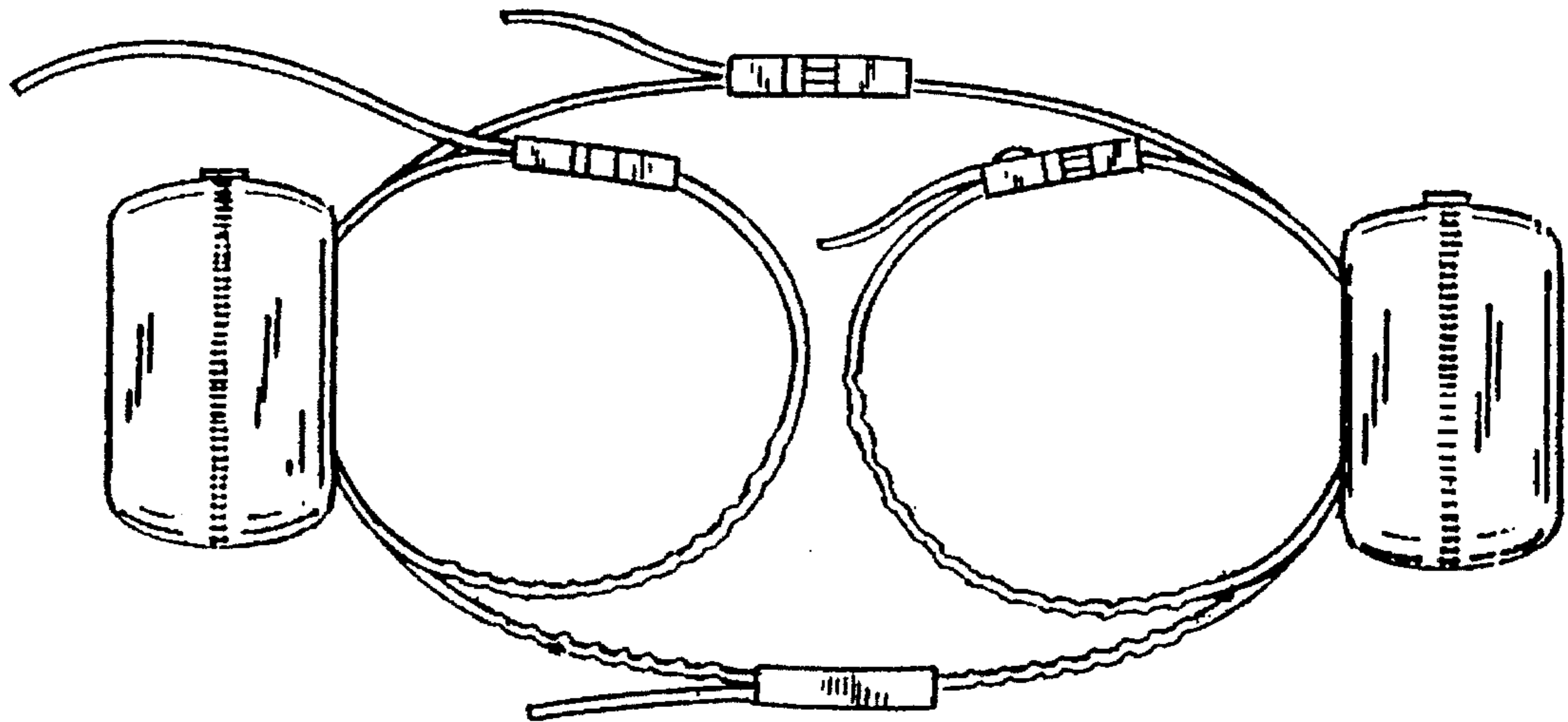


FIG. 2

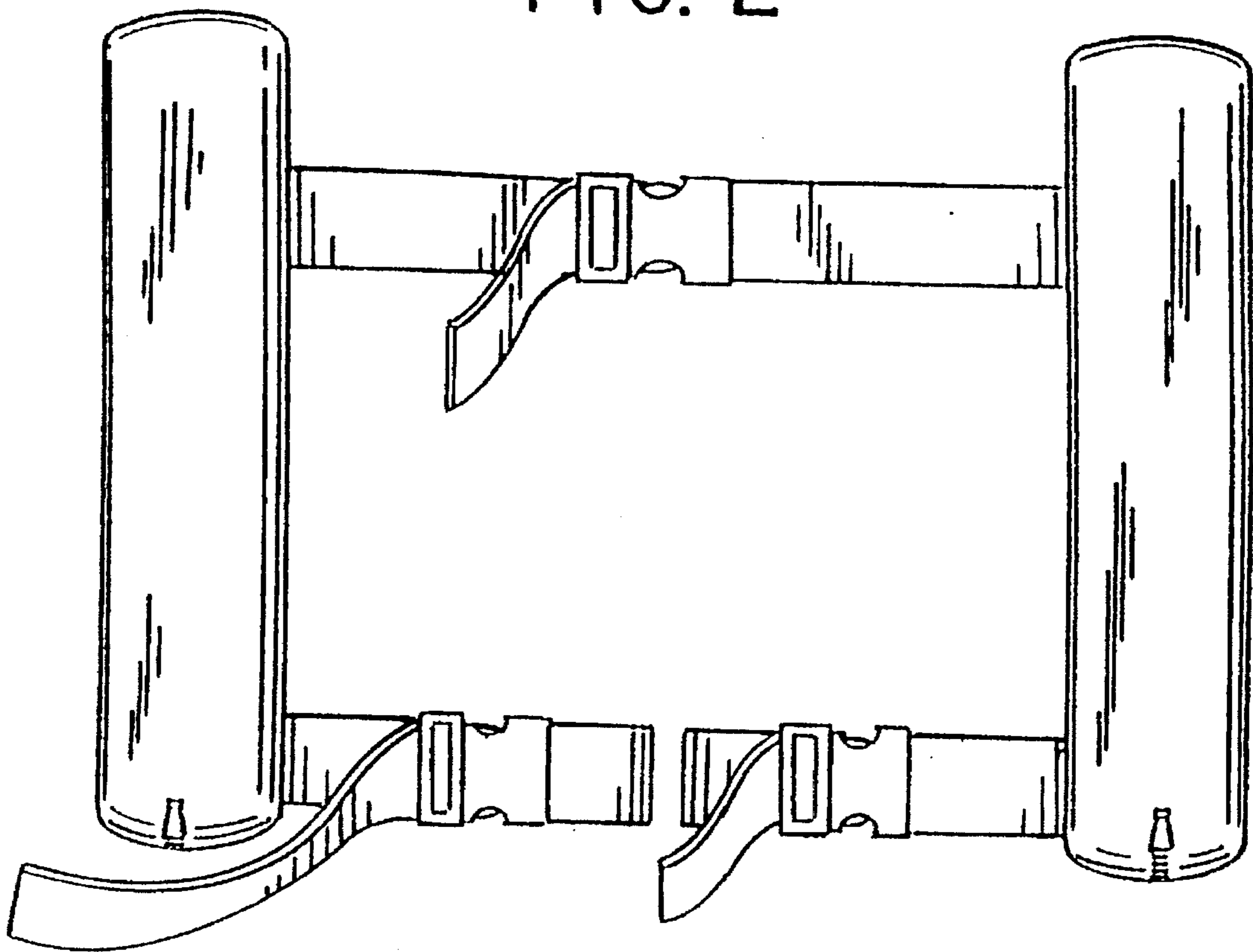


FIG. 3

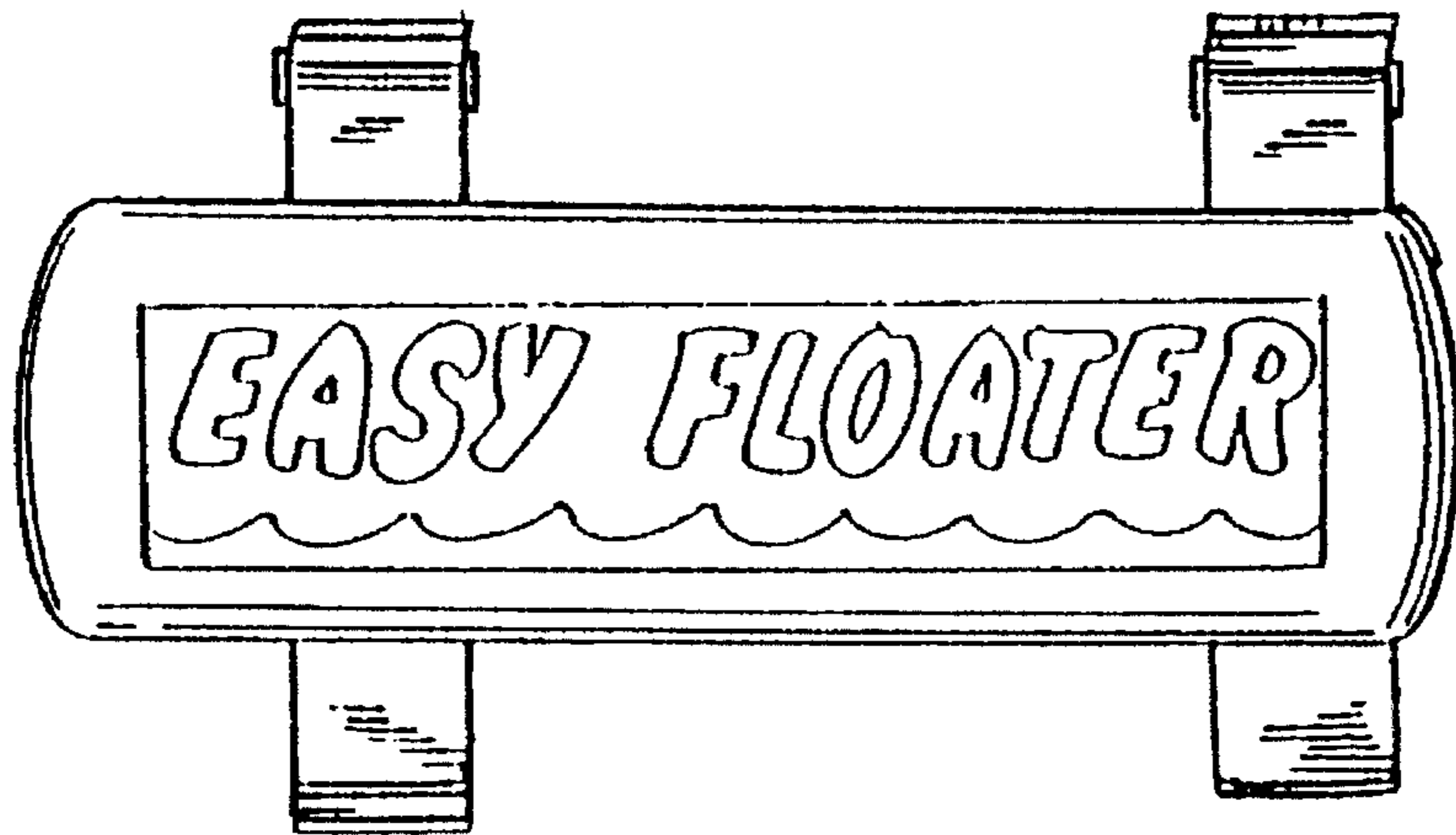


FIG. 4

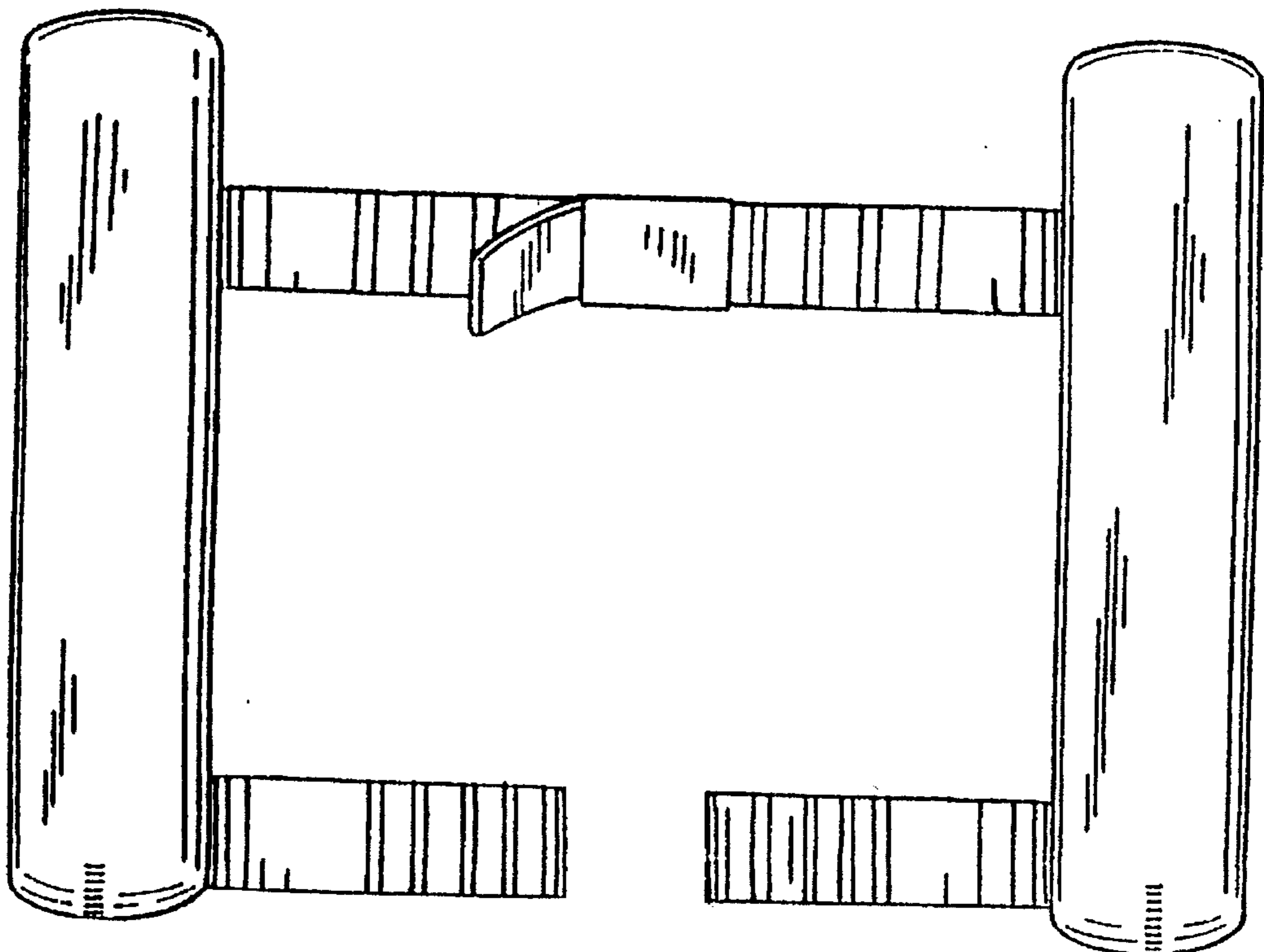


FIG. 5

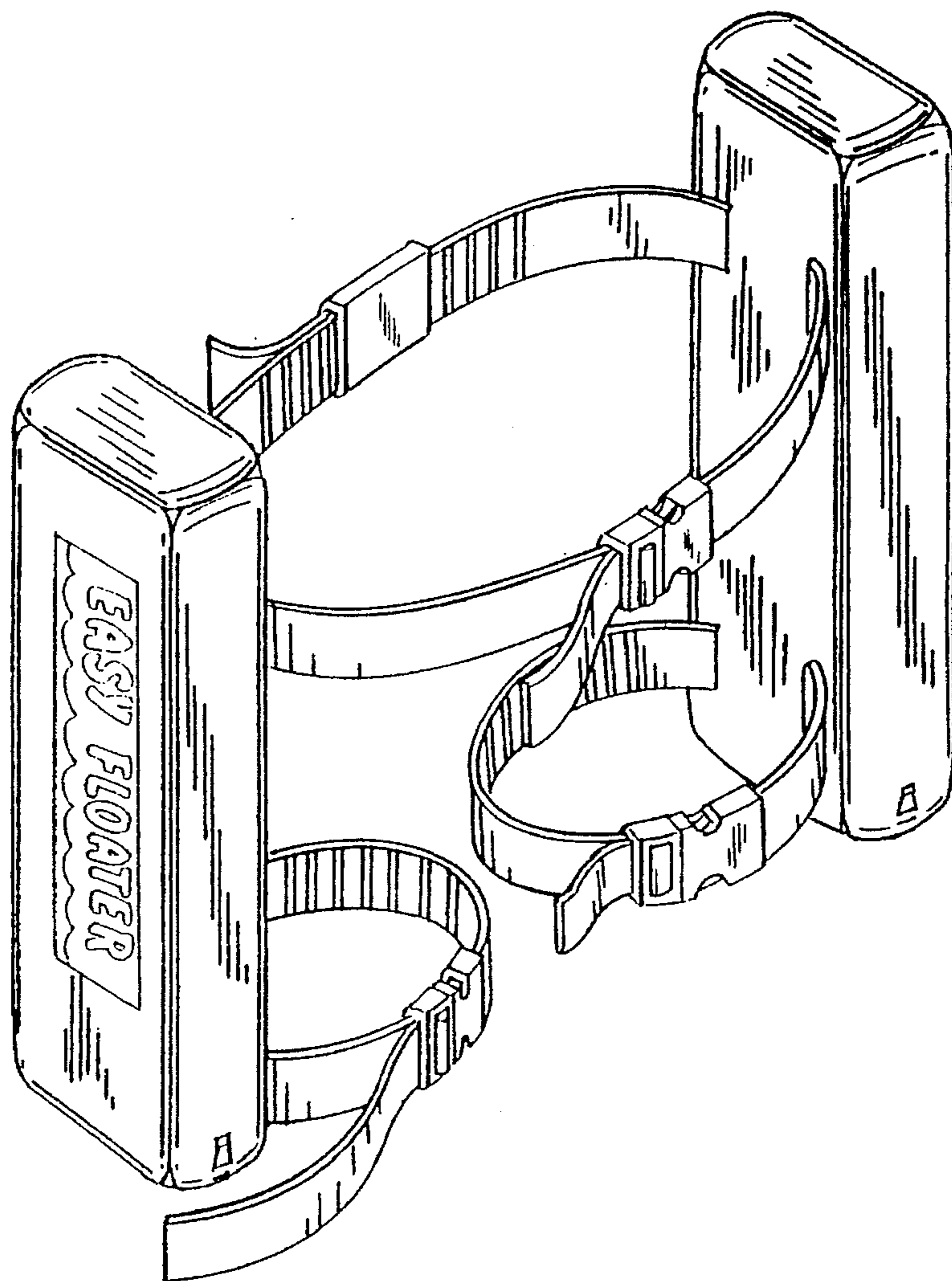


FIG. 6

