



US00D368506S

United States Patent [19]

Izett et al.

[11] Patent Number: **Des. 368,506**

[45] Date of Patent: ****Apr. 2, 1996**

[54] **TWO-SHAFTED GOLF CLUB NECK**

[76] Inventors: **George G. Izett**, 2538 Haverford Ave., Ardmore, Pa. 19003; **Jay Ciccarone**, 668 Woodland Ave., Pottstown, Pa. 19464

[**] Term: **14 Years**

[21] Appl. No.: **38,670**

[22] Filed: **May 10, 1995**

[52] U.S. Cl. **D21/221**

[58] Field of Search D21/214-221;
273/167-175, 80 G, 81 D

[56] **References Cited**

U.S. PATENT DOCUMENTS

D. 259,732	6/1981	Vella	D21/221
687,539	11/1901	Palmer	273/80.2
3,529,826	9/1970	Hulyk	273/81 D
5,209,475	5/1993	Loman	273/81.2 X
5,308,073	5/1994	McKoon et al.	273/81 R X

Primary Examiner—Prabhakar G. Deshmukh

Assistant Examiner—Mitchell I. Siegel

Attorney, Agent, or Firm—Daniel H. Golub

[57] **CLAIM**

The ornamental design for a two-shafted golf club neck, as shown and described.

DESCRIPTION

FIG. 1 is an isometric view of a two-shafted golf club neck in accordance with the invention;

FIG. 2 is a top view of the two-shafted golf club neck;

FIG. 3 is a bottom view of the two-shafted golf club neck;

FIG. 4 is a front view of the two-shafted golf club neck;

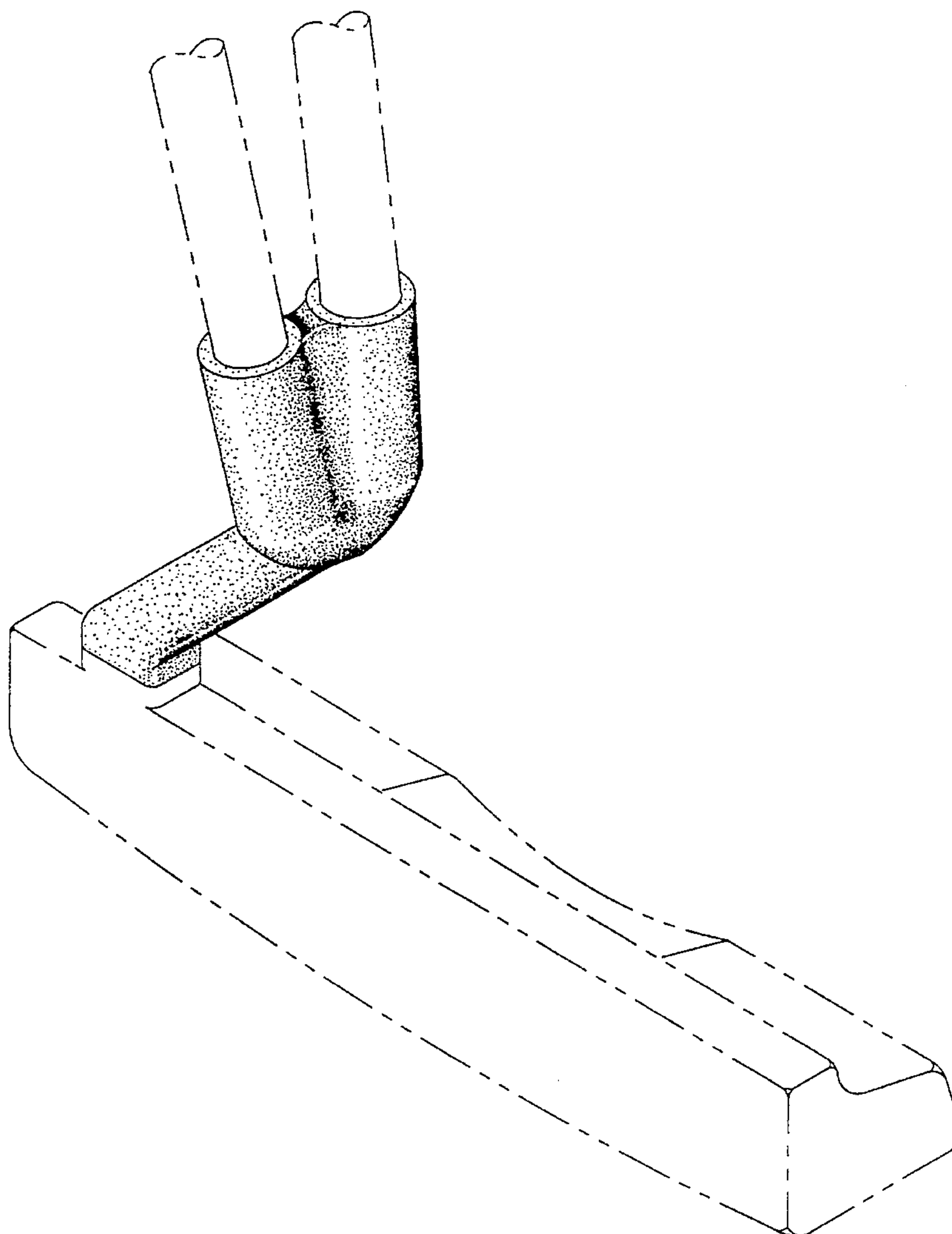
FIG. 5 is a rear view of the two-shafted golf club neck;

FIG. 6 is a side view of the two-shafted golf club neck;

FIG. 7 is a side view of the two-shafted golf club neck; and,

FIG. 8 is an isometric view of the two-shafted golf club neck, the broken line showing of the golf putter head and the fragmented shafts are for illustrative purposes only and forms no part of the claimed design.

1 Claim, 2 Drawing Sheets



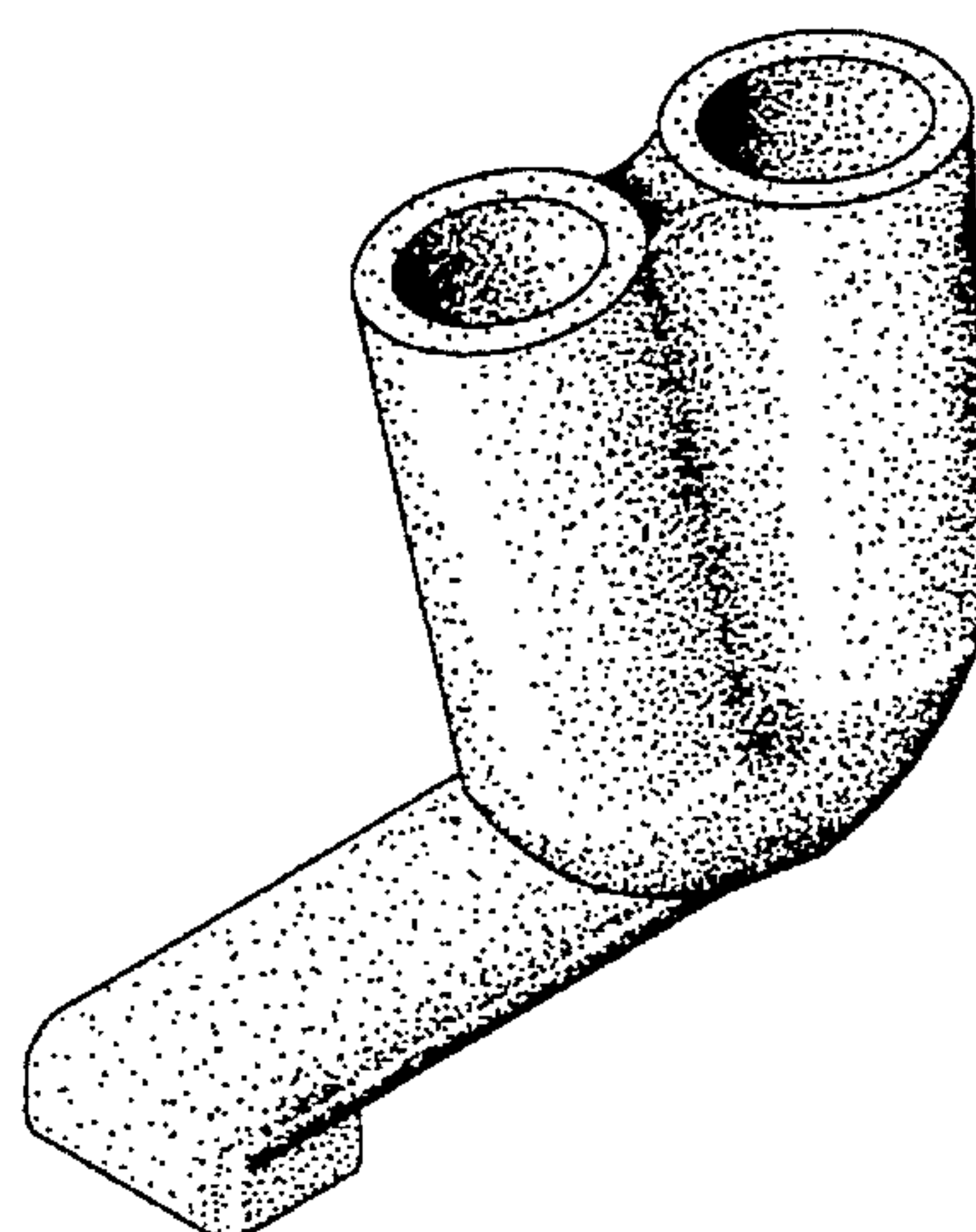


FIG. 1

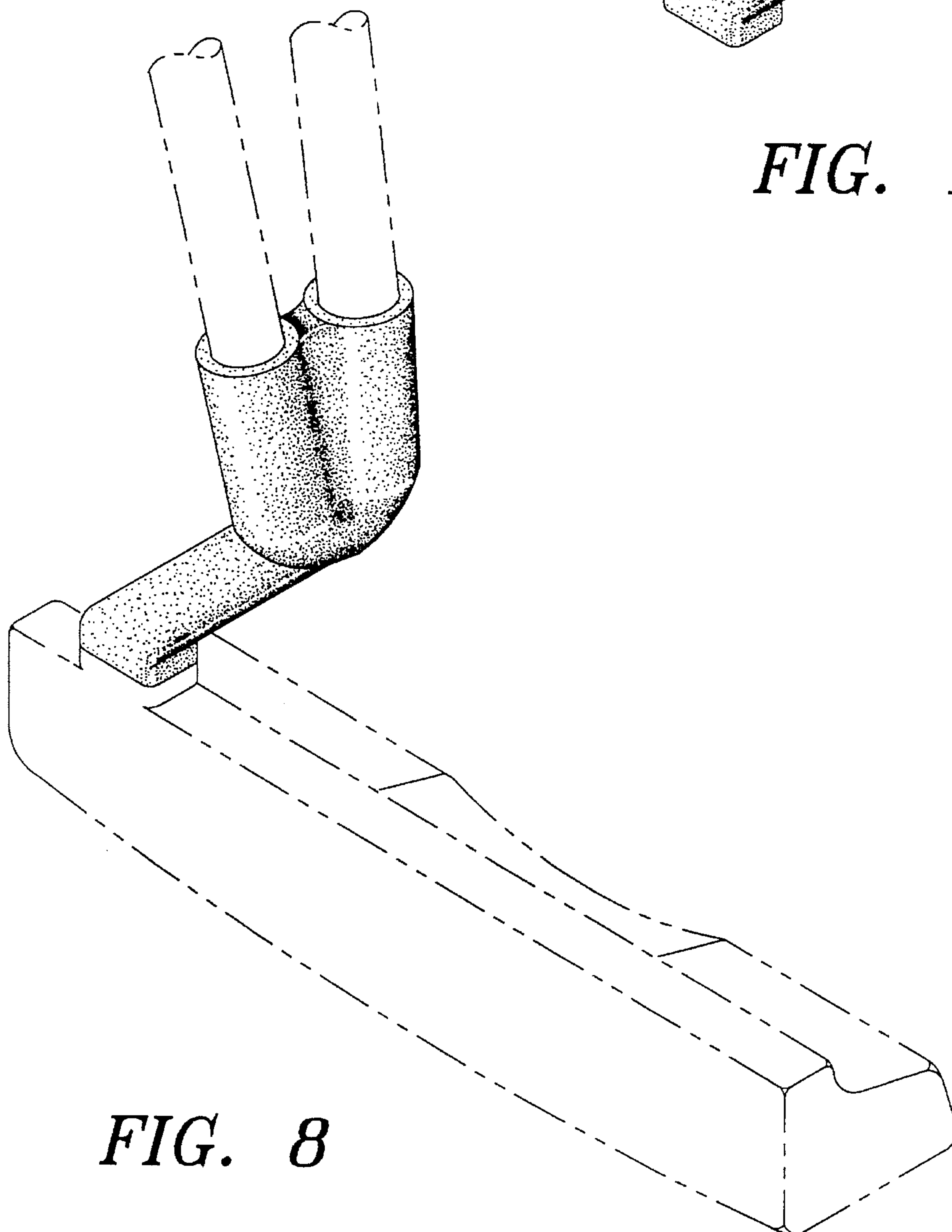


FIG. 8

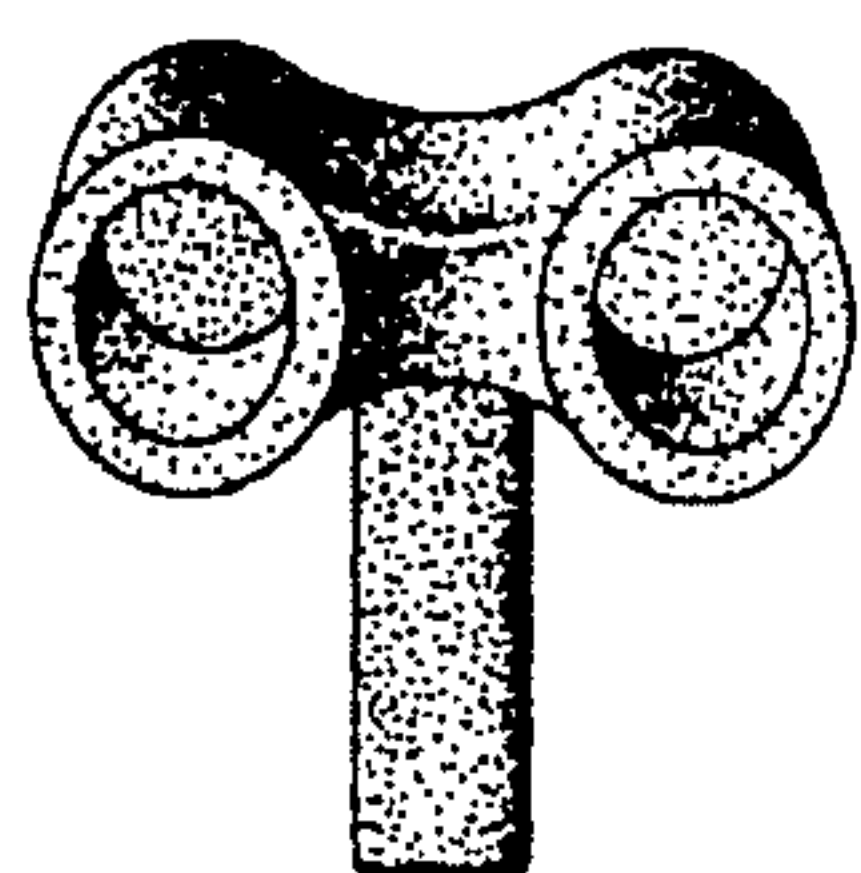


FIG. 2

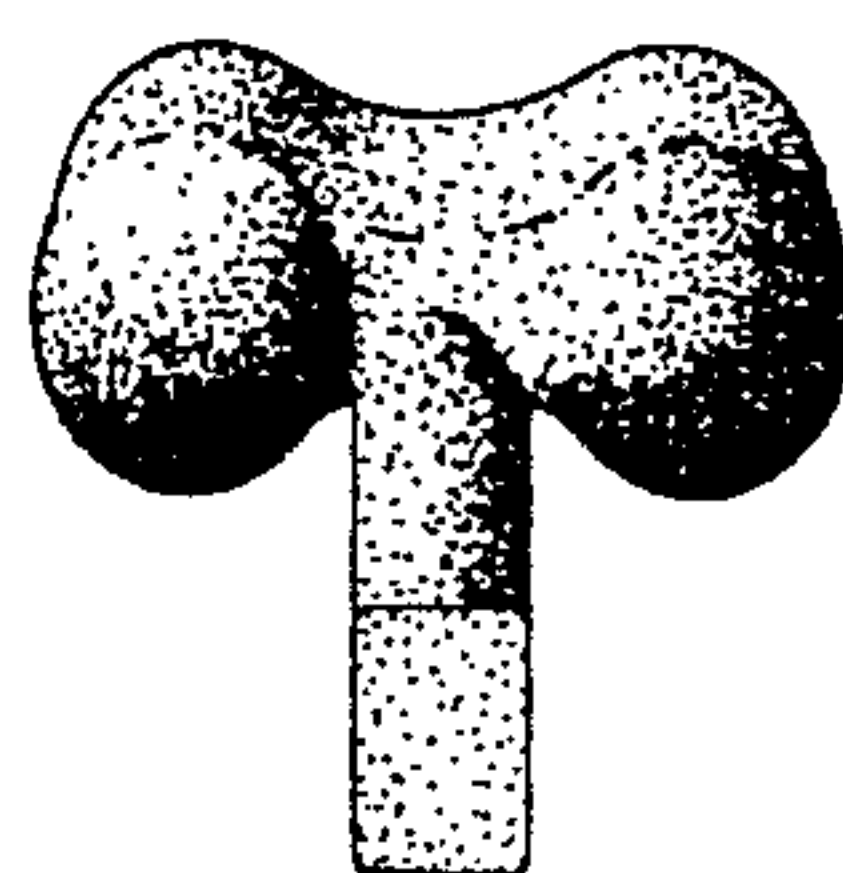


FIG. 3

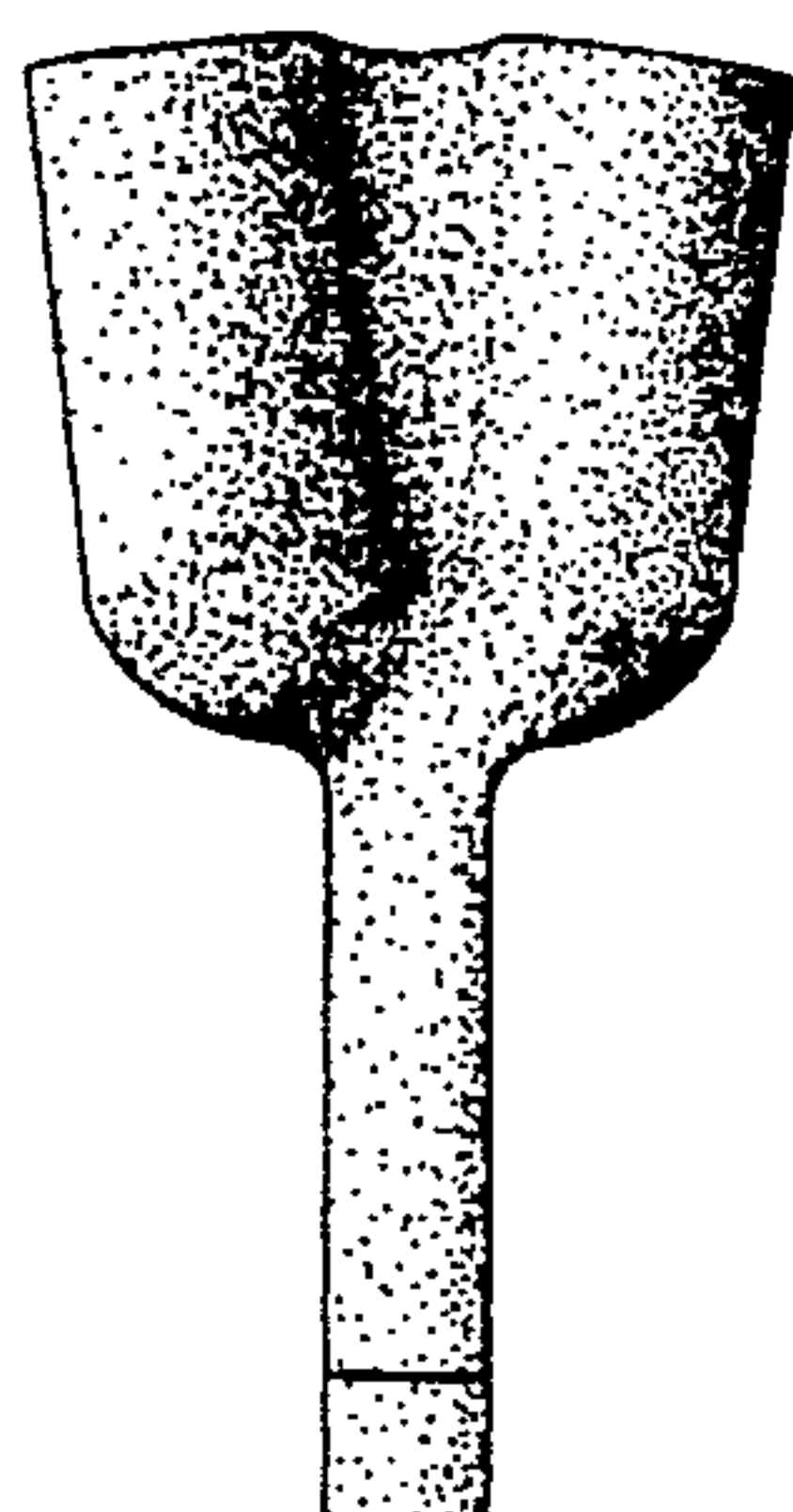


FIG. 4

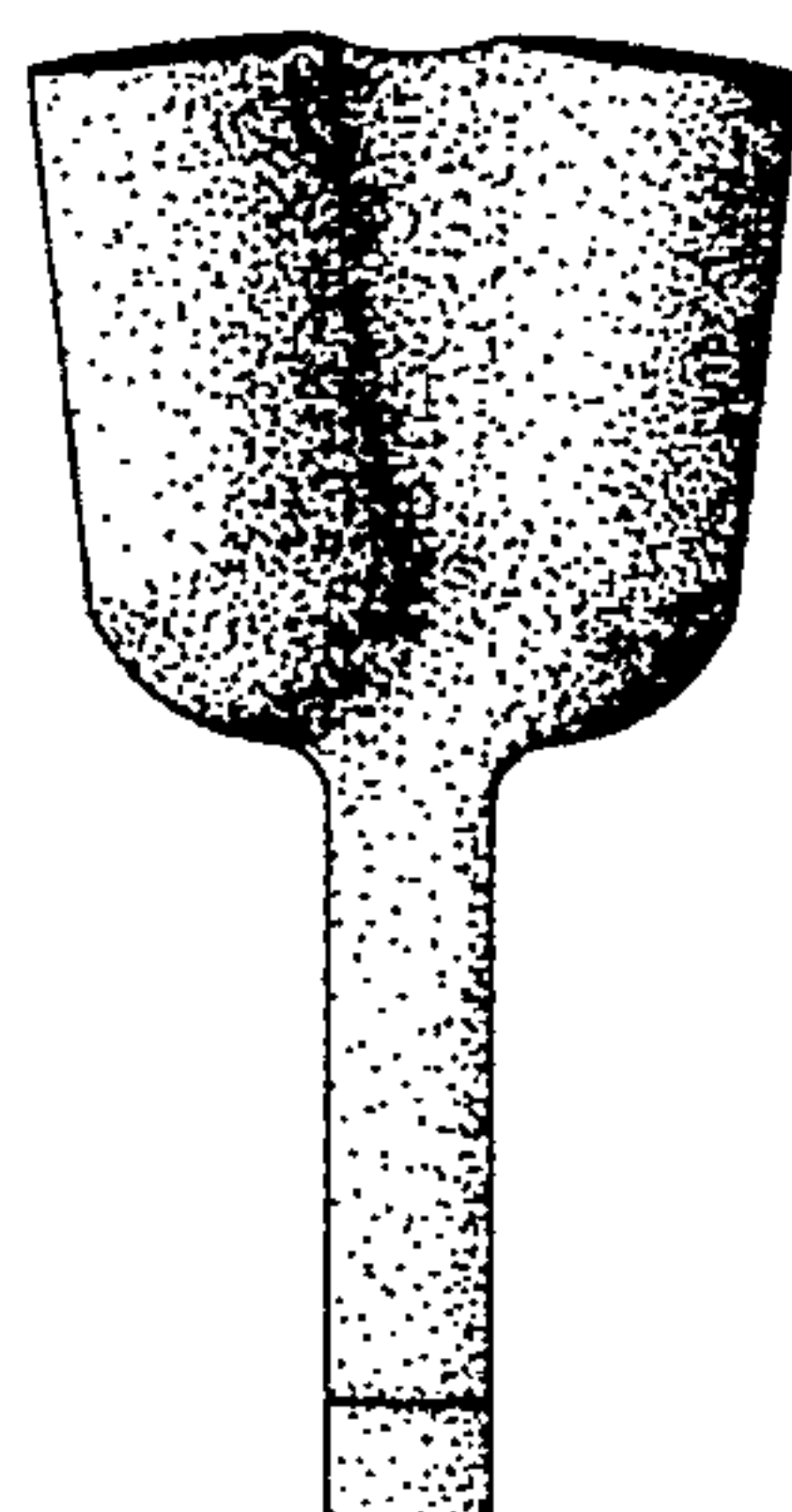


FIG. 5

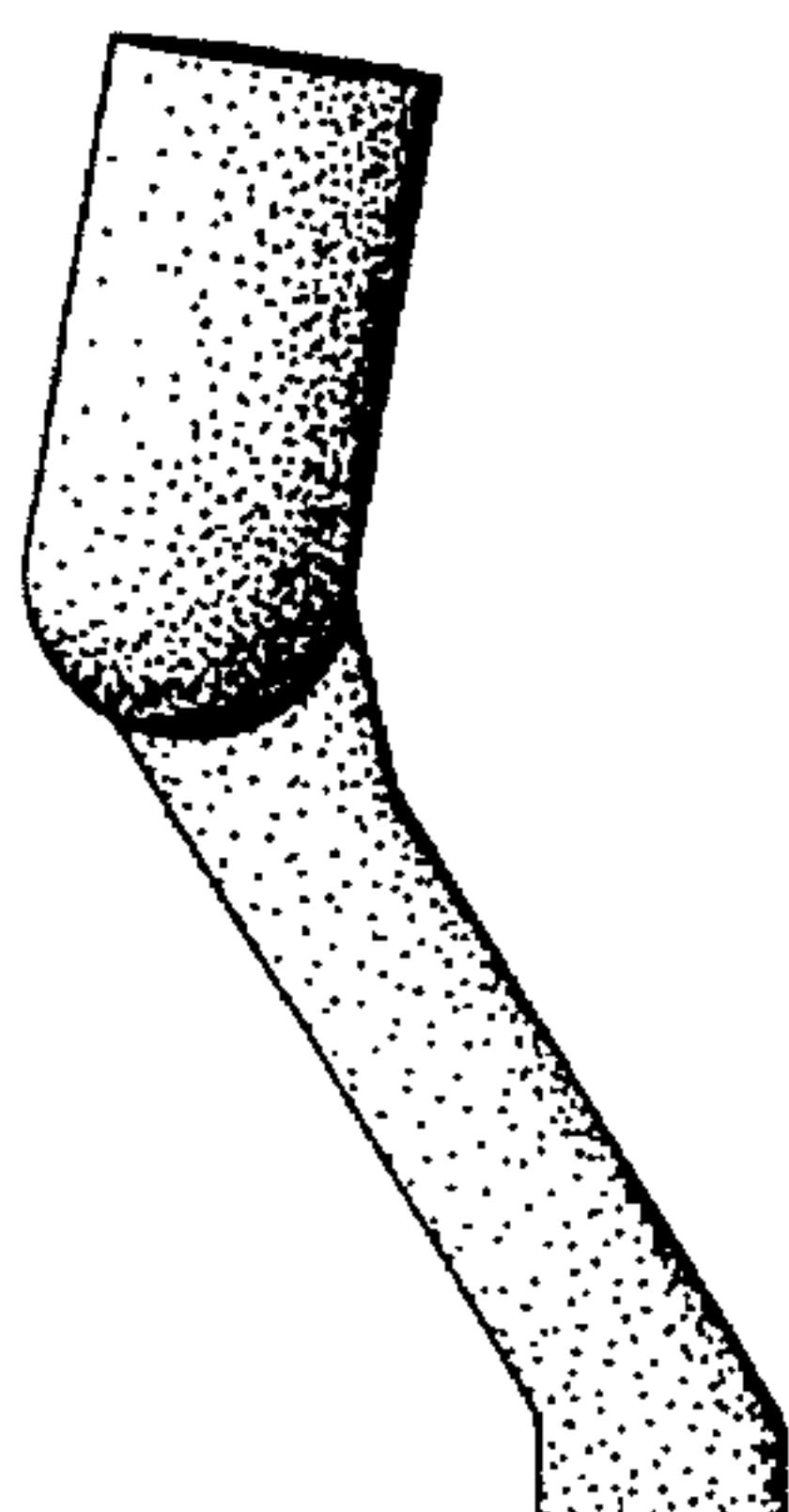


FIG. 6

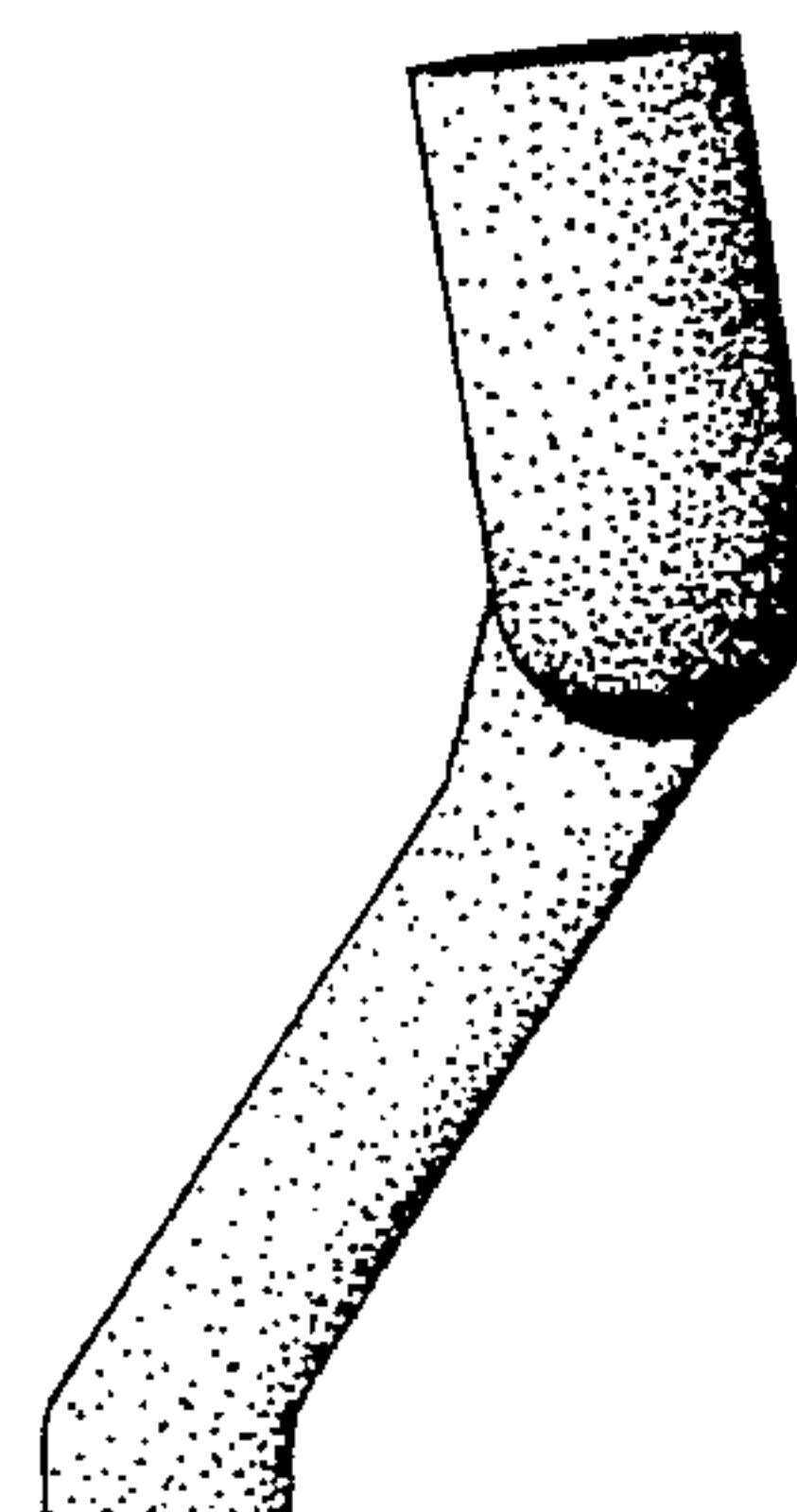


FIG. 7