



US00D368504S

# United States Patent [19]

[11] Patent Number: **Des. 368,504**

Sommerhauser

[45] Date of Patent: **\*\*Apr. 2, 1996**

[54] **GOLF PUTTER HEAD**

[76] Inventor: **Dave Sommerhauser**, 3 Taussaint Dr., O'Fallon, Mo. 63366

[\*\*] Term: **14 Years**

[21] Appl. No.: **36,037**

[22] Filed: **Mar. 10, 1995**

[52] U.S. Cl. .... **D21/217**

[58] Field of Search ..... **D21/217-219; 273/167-175**

[56] **References Cited**

**U.S. PATENT DOCUMENTS**

4,898,387 2/1990 Finney ..... 273/167 F  
5,257,807 11/1993 Baumann et al. .... 273/167 F

**OTHER PUBLICATIONS**

Golf Digest; Apr. 1974; p. 122; Penny putter, middle right of page.  
Golf World; Mar. 28, 1980; p. 35; Powerbilt putter, 2nd from bottom.

*Primary Examiner*—Prabhakar G. Deshmukh  
*Assistant Examiner*—Mitchell I. Siegel  
*Attorney, Agent, or Firm*—Polster, Lieder, Woodruff & Lucchesi

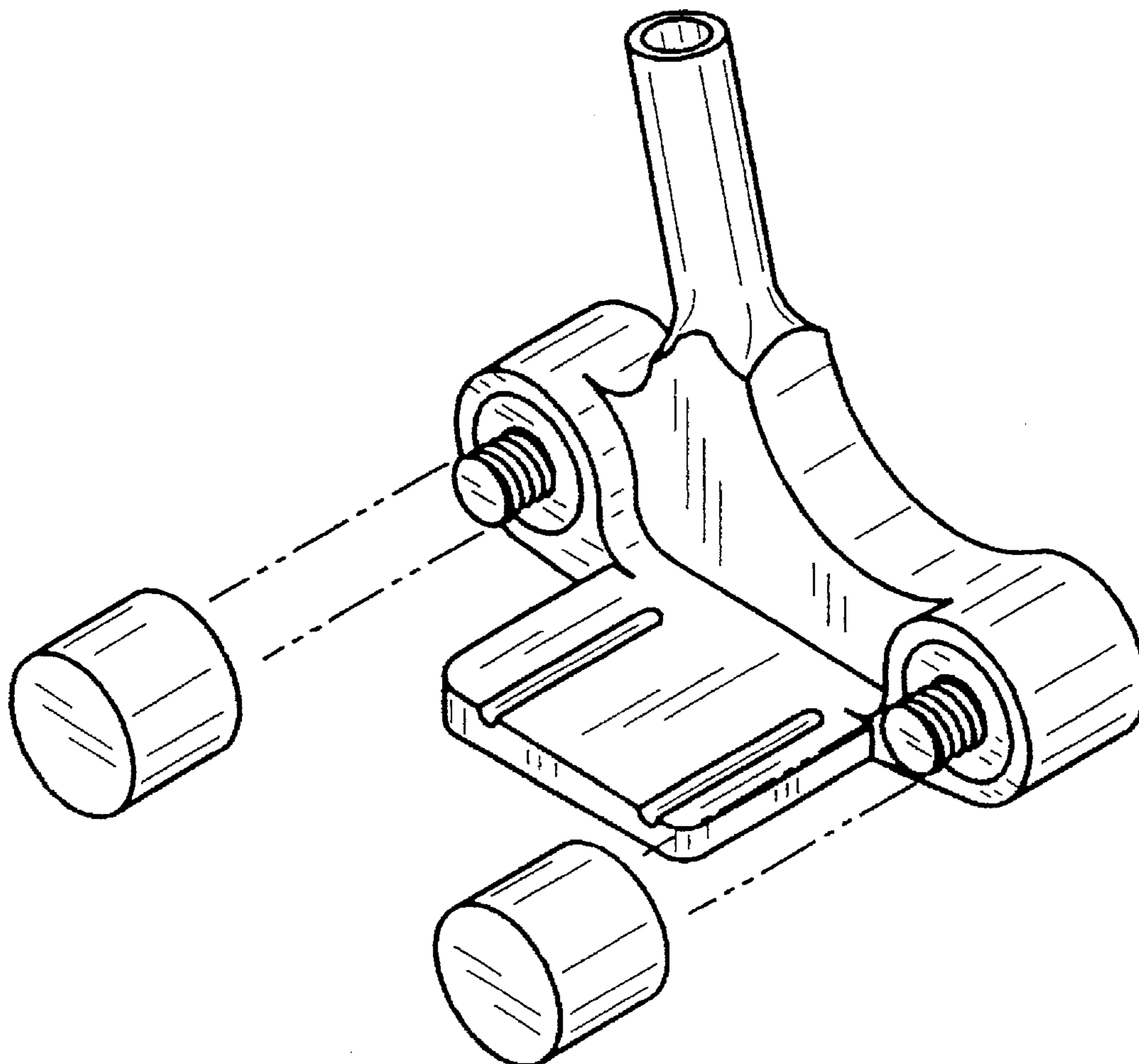
[57] **CLAIM**

The ornamental design for a golf putter head, as shown and described.

**DESCRIPTION**

FIG. 1 is a front perspective view of a golf putter head showing my new design, the broken line showing of shaft and handle is for illustrative purposes only and forms no part of the claimed design;  
FIG. 2 is an exploded rear perspective view thereof;  
FIG. 3 is a front elevational view of FIG. 1;  
FIG. 4 is a rear elevational view of FIG. 1;  
FIG. 5 is a left side elevational view of FIG. 1;  
FIG. 6 is a right side elevational view of FIG. 1;  
FIG. 7 is a top plan view of FIG. 1; and,  
FIG. 8 is a bottom plan view of FIG. 1.

**1 Claim, 1 Drawing Sheet**



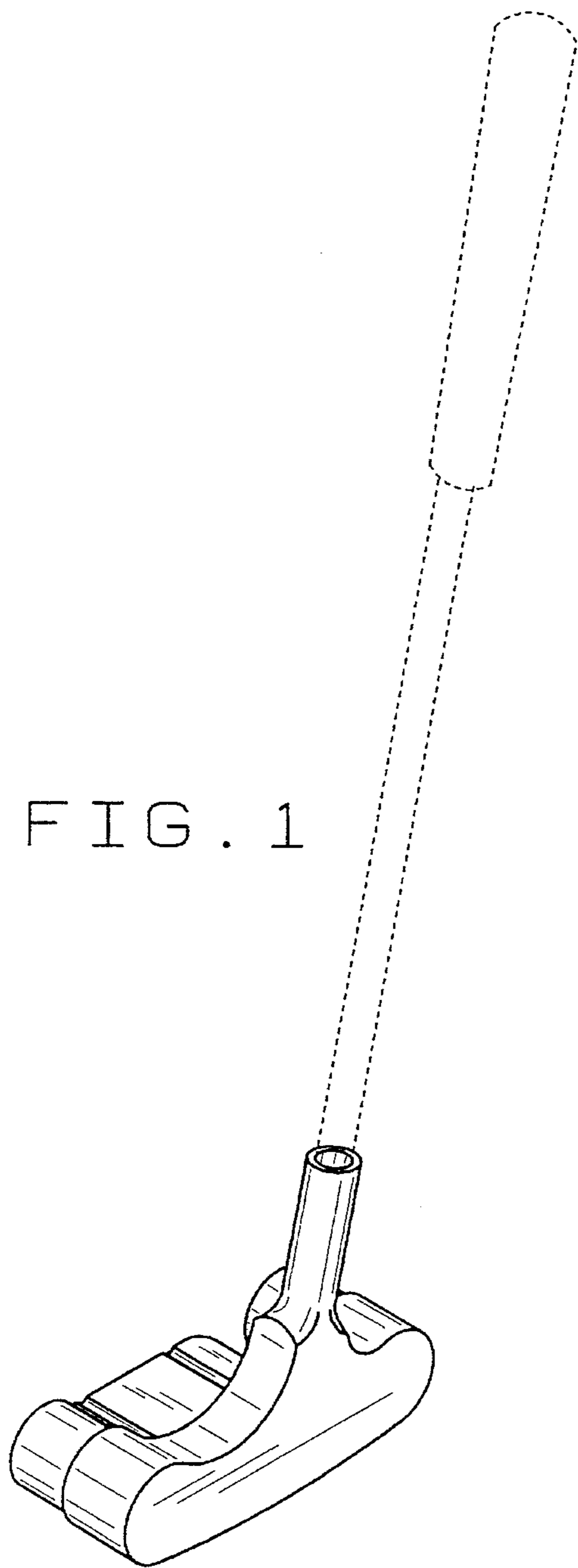


FIG. 1

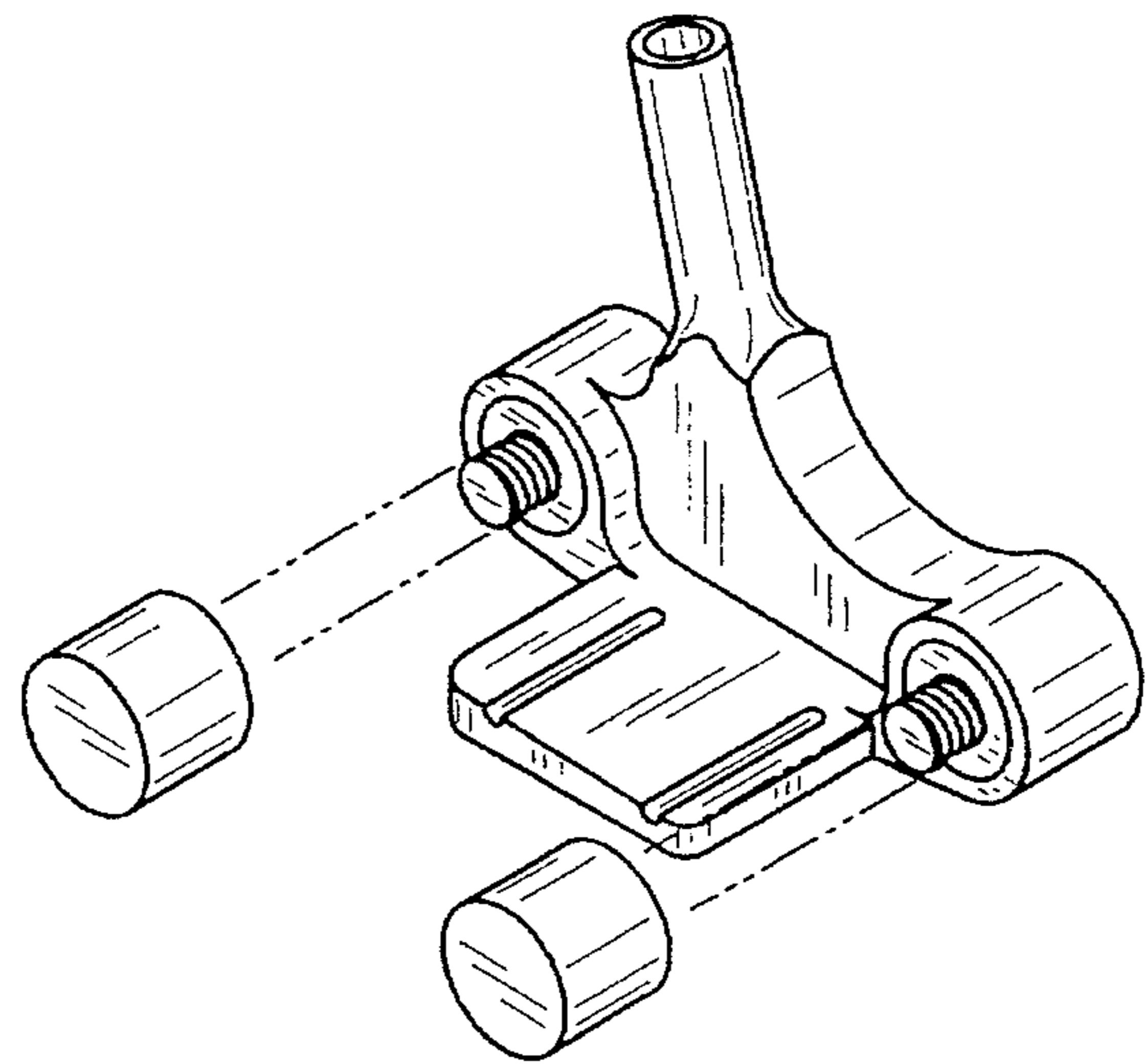


FIG. 2

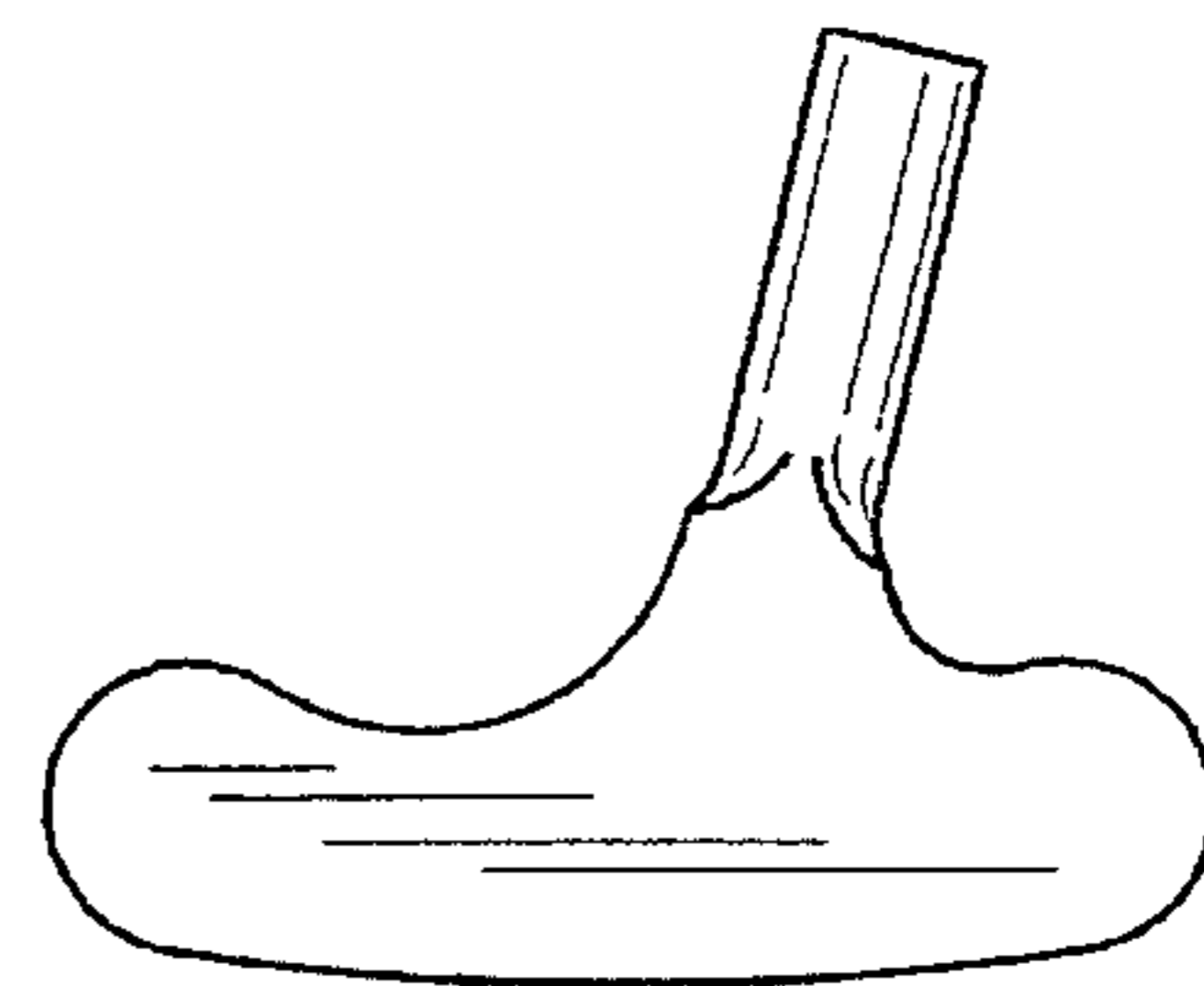


FIG. 3

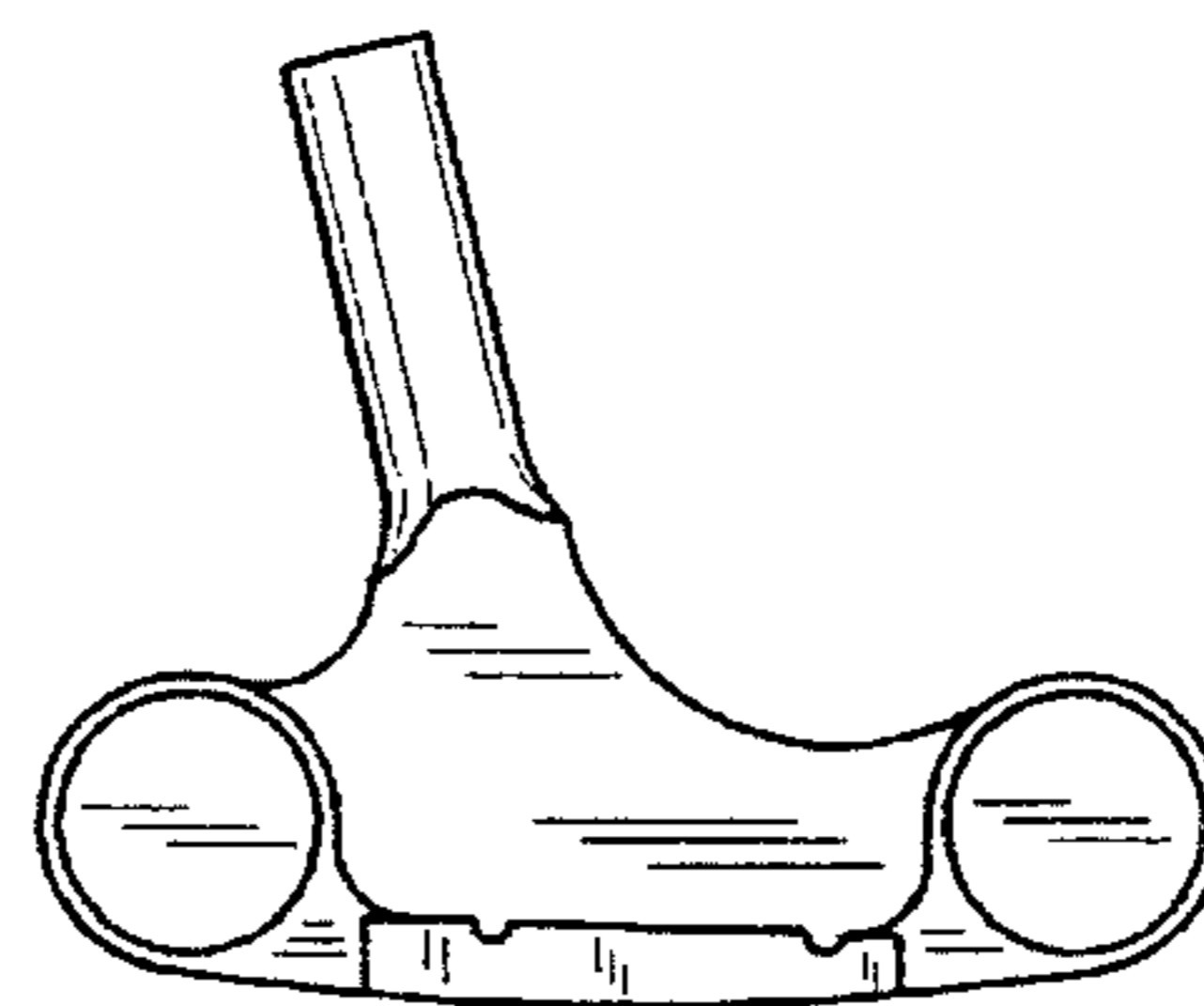


FIG. 4

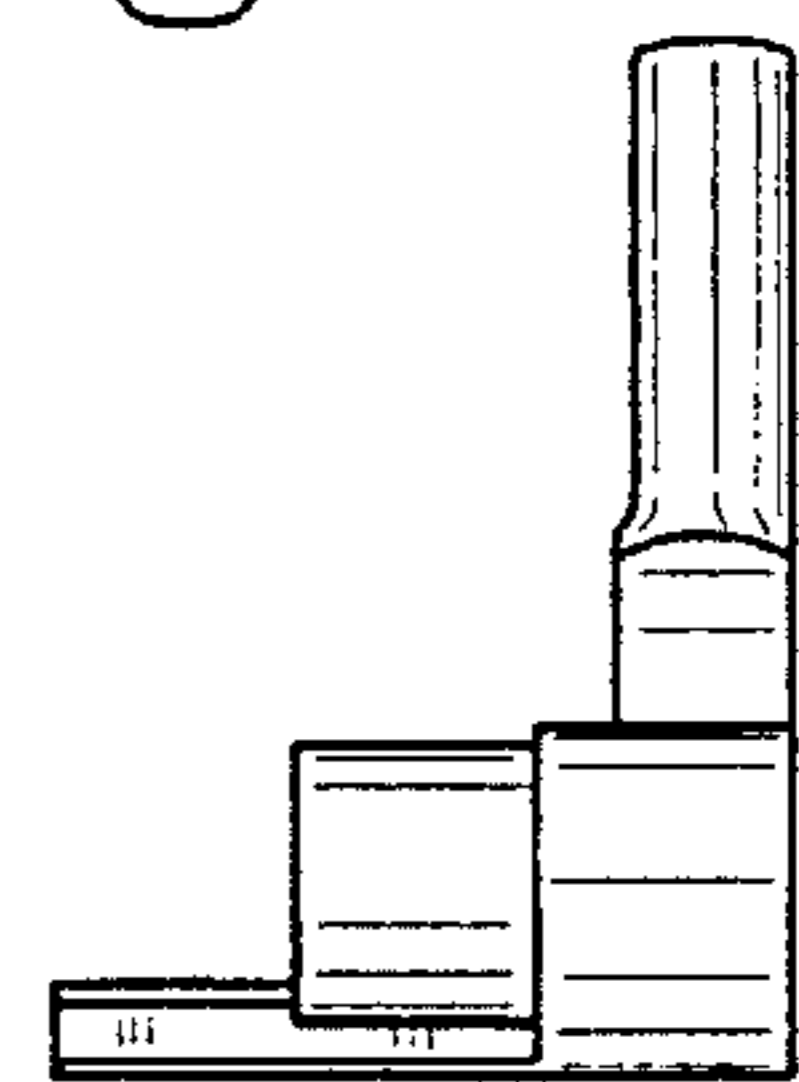


FIG. 5

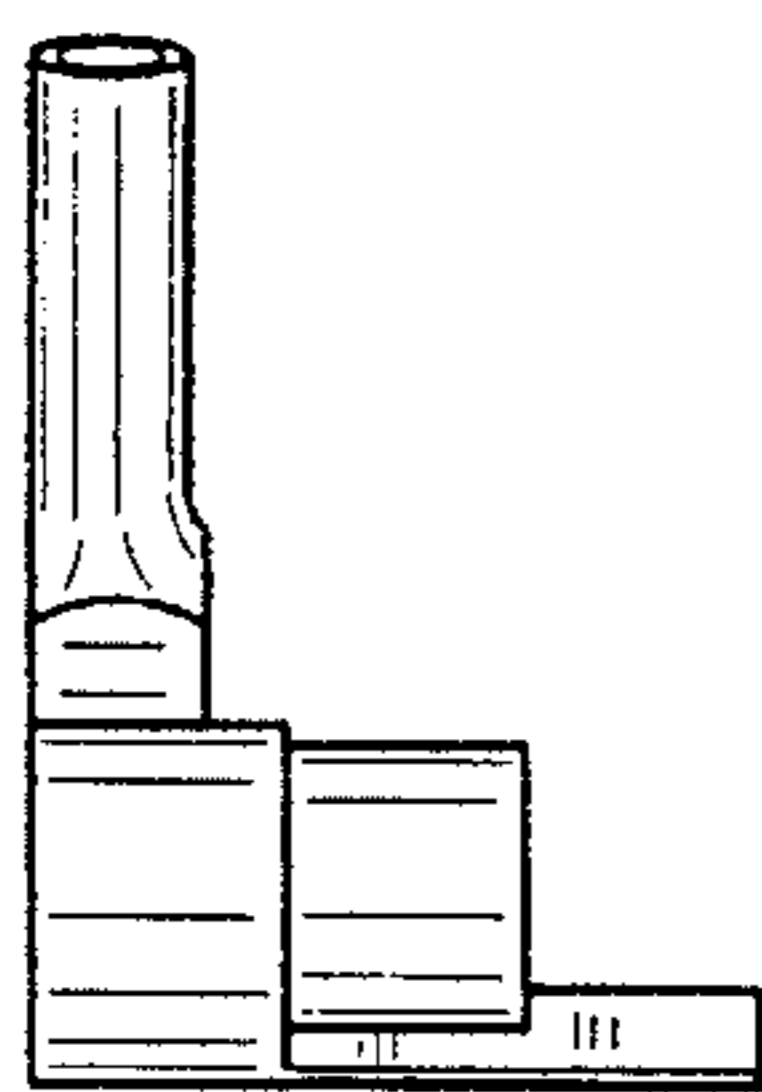


FIG. 6

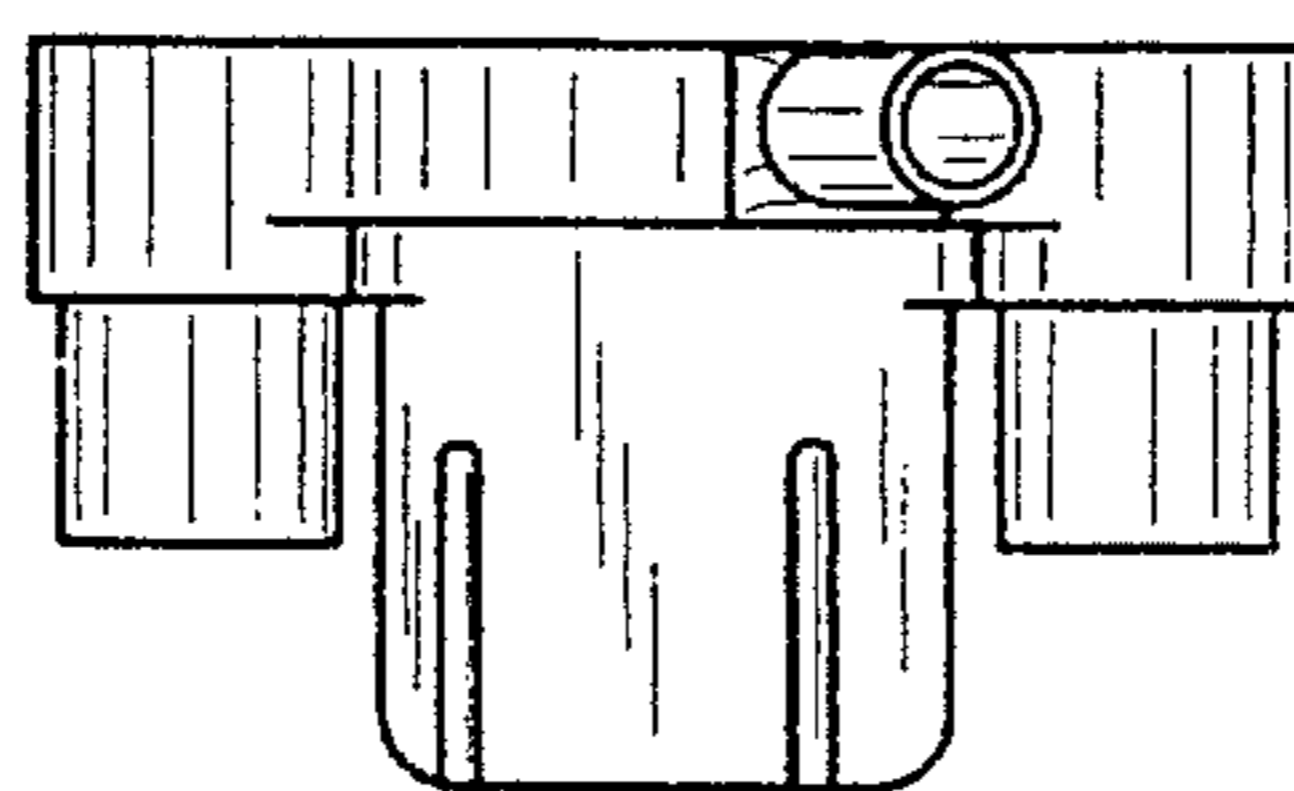


FIG. 7

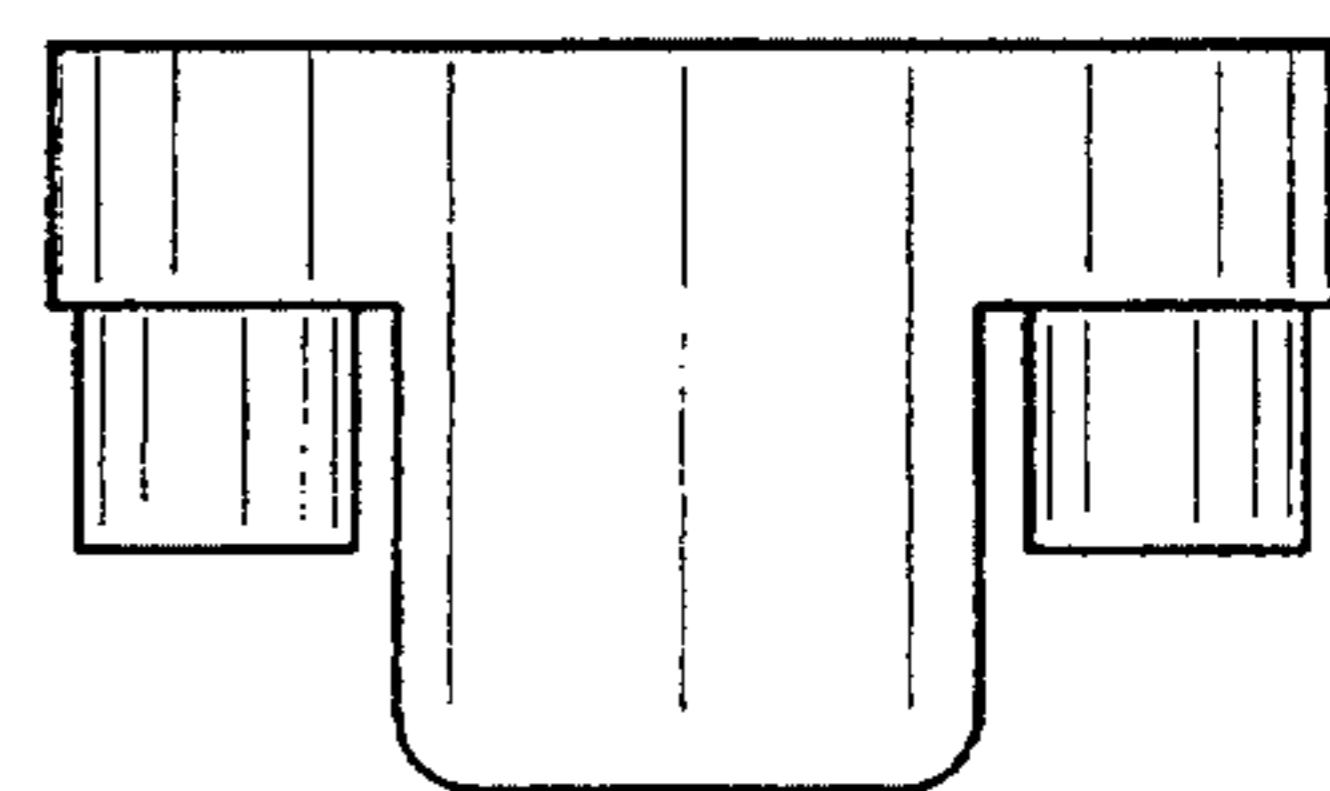


FIG. 8