



US00D368500S

United States Patent [19] Parzino

[11] Patent Number: **Des. 368,500**
[45] Date of Patent: ****Apr. 2, 1996**

[54] **GOAL TENDER TARGET FOR HOCKEY PRACTICE**

[76] Inventor: **James P. Parzino**, 128 - 12th Ave., Kirkland, Wash. 98033

[**] Term: **14 Years**

[21] Appl. No.: **29,336**

[22] Filed: **Oct. 3, 1994**

[52] U.S. Cl. **D21/177; D21/199**

[58] Field of Search D21/200, 199, D21/177, 171, 184; 273/57.2, 389, 400, 398, 401, 402, 411; D19/62

[56] **References Cited**

U.S. PATENT DOCUMENTS

3,765,675	10/1973	Dimarzio	273/57.2
3,840,228	10/1974	Greaney .	
3,856,298	2/1975	Frantti .	
3,887,181	6/1975	Samaras .	
4,489,940	12/1984	Amundson .	
4,489,940	12/1984	Amundson	273/57.2
5,238,243	8/1993	Grispi .	
5,246,229	9/1993	Carey .	
5,413,328	5/1995	Glancey et al.	273/400 X

FOREIGN PATENT DOCUMENTS

1207811 7/1986 Canada .

OTHER PUBLICATIONS

Advertisement: Slap-Away; Life Industries, Inc.; date unknown.

Product Advertisement: Shooter Tutor; Mylec; date unknown.

Primary Examiner—Ted Shooman

Assistant Examiner—Cheri Cohen

Attorney, Agent, or Firm—Graybeal Jackson Haley & Johnson

[57] **CLAIM**

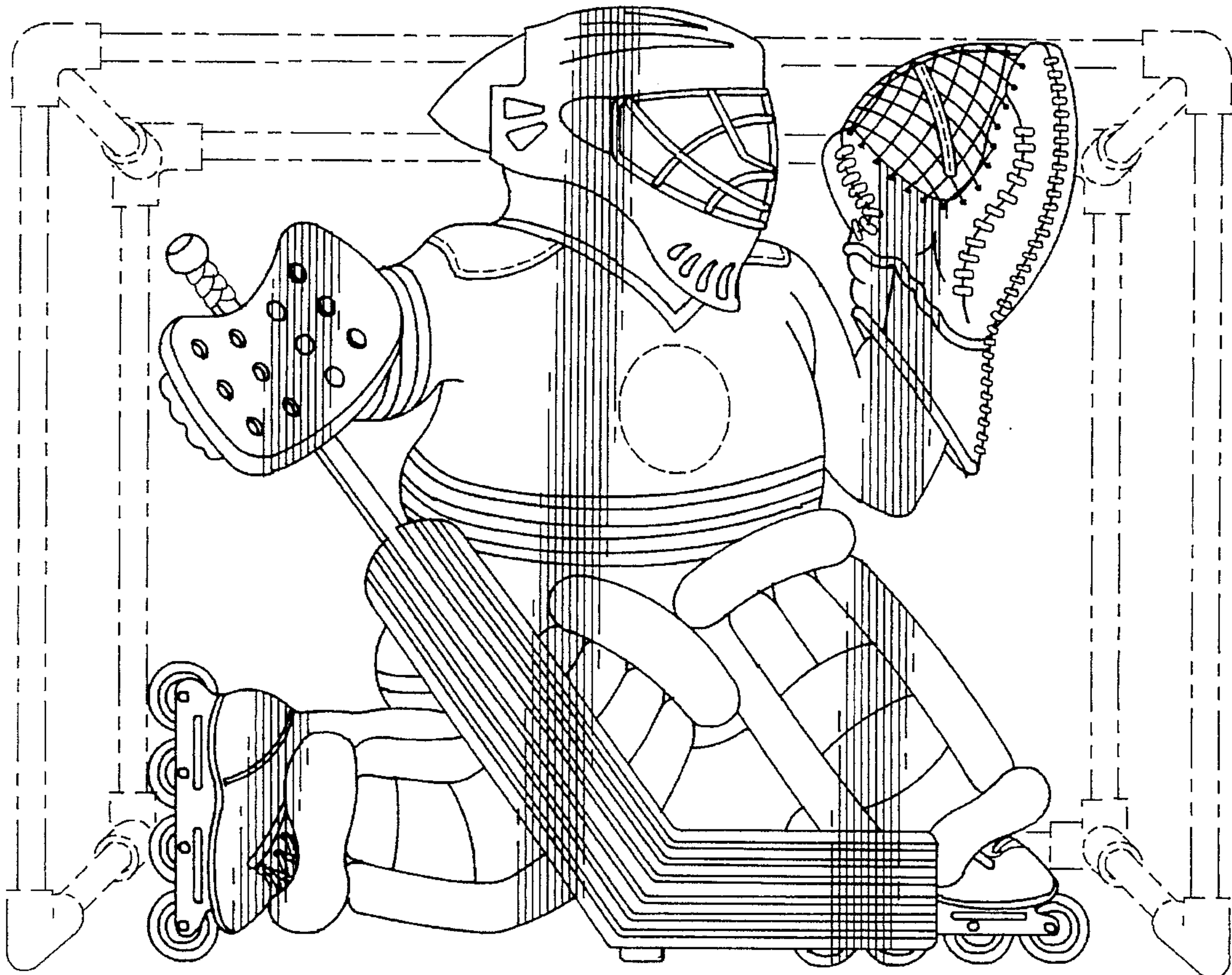
The ornamental design for a goal tender target for hockey practice, as shown and described.

DESCRIPTION

FIG. 1 is a reduced front elevation view of a goal tender target for hockey practice showing my new design; FIG. 2 is a front elevation view thereof; FIG. 3 is a rear elevation view thereof; FIG. 4 is a right side elevation view thereof; FIG. 5 is a left side elevation view thereof; FIG. 6 is a top plan view thereof; and, FIG. 7 is a bottom plan view thereof.

The broken line showing of the goal in FIG. 1 is for illustrative purposes only and forms no part of the claimed design.

1 Claim, 3 Drawing Sheets



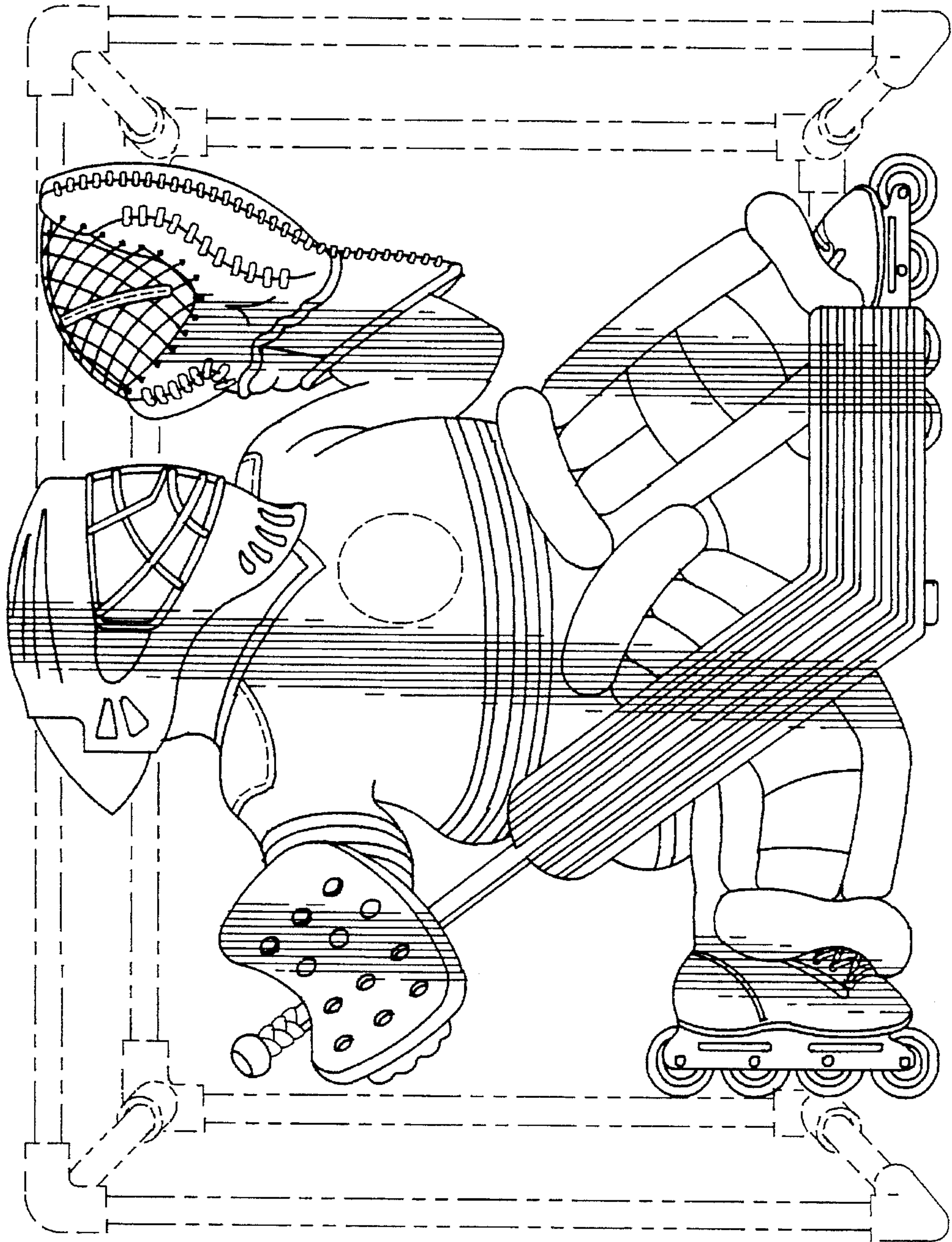


FIG. 1

FIG. 2

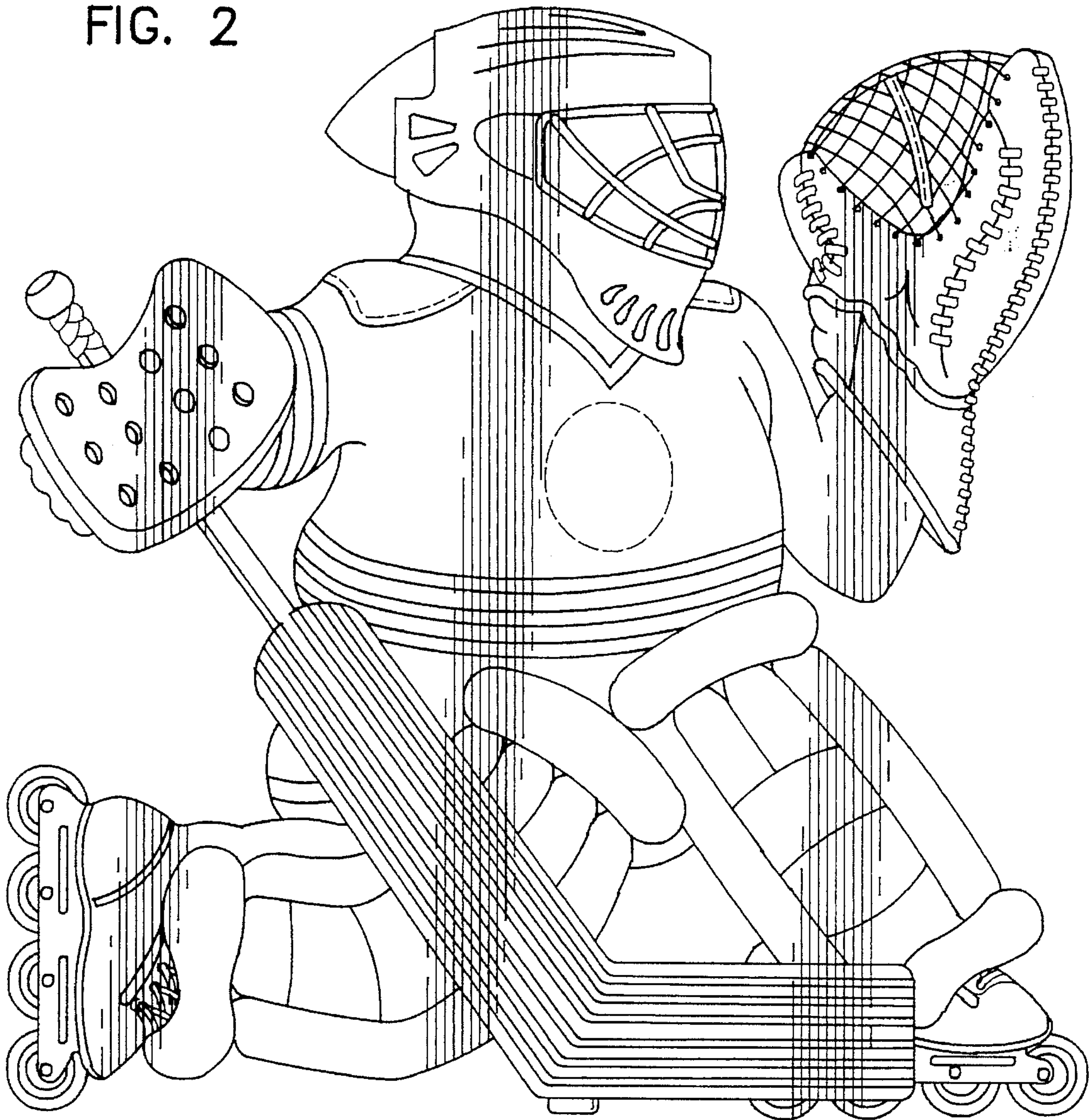


FIG. 6

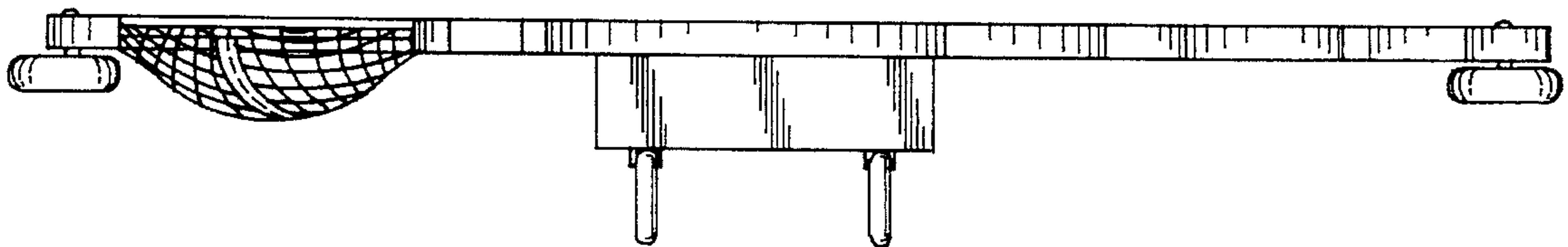


FIG. 7

