



US00D368495S

# United States Patent [19] Rypinski

[11] **Patent Number:** **Des. 368,495**  
[45] **Date of Patent:** **\*\*Apr. 2, 1996**

[54] **GAME FRAME**  
[75] Inventor: **Alan Rypinski**, Newport Beach, Calif.  
[73] Assignee: **Pog Unlimited**, Costa Mesa, Calif.  
[\*\*] Term: **14 Years**

|            |         |                |       |         |
|------------|---------|----------------|-------|---------|
| D. 339,172 | 9/1993  | Roberts et al. | ..... | D21/32  |
| 463,903    | 11/1891 | Kent           | ..... | D21/17  |
| 5,069,459  | 12/1991 | Zarnoti        | ..... | 273/241 |
| 5,139,259  | 8/1992  | Yeakley        | ..... | D21/32  |
| 5,184,829  | 2/1993  | Njaka          | ..... | 273/242 |

[21] Appl. No.: **30,175**  
[22] Filed: **Oct. 21, 1994**  
[52] U.S. Cl. .... **D21/32; D21/55**  
[58] Field of Search ..... D21/14-36, 54-57;  
273/126 R, 148 R, 161, 236-285, 424

*Primary Examiner*—Sandra L. Morris  
*Attorney, Agent, or Firm*—Ladas & Parry

### [57] CLAIM

The ornamental design for a game frame, as shown and described.

### DESCRIPTION

FIG. 1 is a perspective view of a game board showing my new design;  
FIG. 2 is a front elevational view thereof;  
FIG. 3 is a rear elevational view thereof;  
FIG. 4 is a left side elevational view thereof, with the right side elevation being a mirror image;  
FIG. 5 is a top plan view thereof; and,  
FIG. 6 is a bottom plan view thereof.

### [56] References Cited

#### U.S. PATENT DOCUMENTS

|            |         |               |       |        |
|------------|---------|---------------|-------|--------|
| D. 116,696 | 9/1939  | Holmdahl      | ..... | D21/17 |
| D. 139,868 | 1/1945  | Knobloch      | .     |        |
| D. 217,973 | 7/1970  | Kohner et al. | .     |        |
| D. 246,609 | 12/1977 | Kanno         | .     |        |
| D. 279,801 | 7/1985  | Brockenshire  | ..... | D21/14 |
| D. 324,887 | 3/1992  | Cecalek       | ..... | D21/17 |
| D. 331,607 | 12/1992 | Davis         | ..... | D21/14 |

**1 Claim, 2 Drawing Sheets**

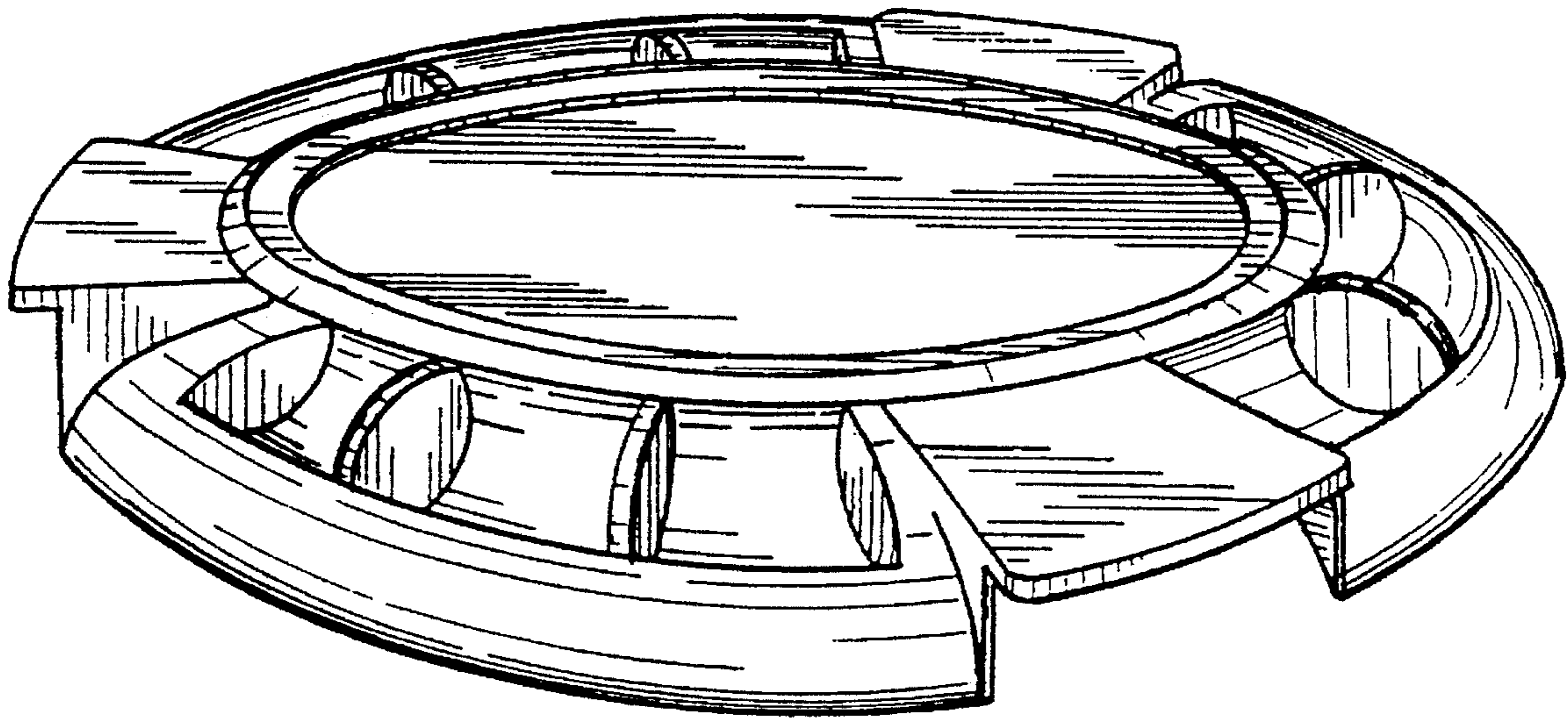


FIG. 1

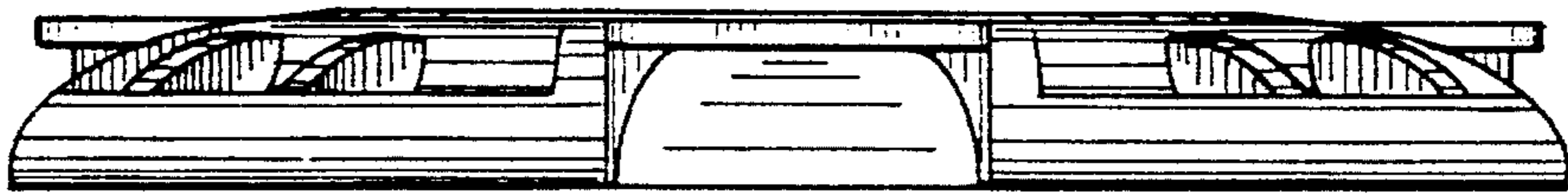
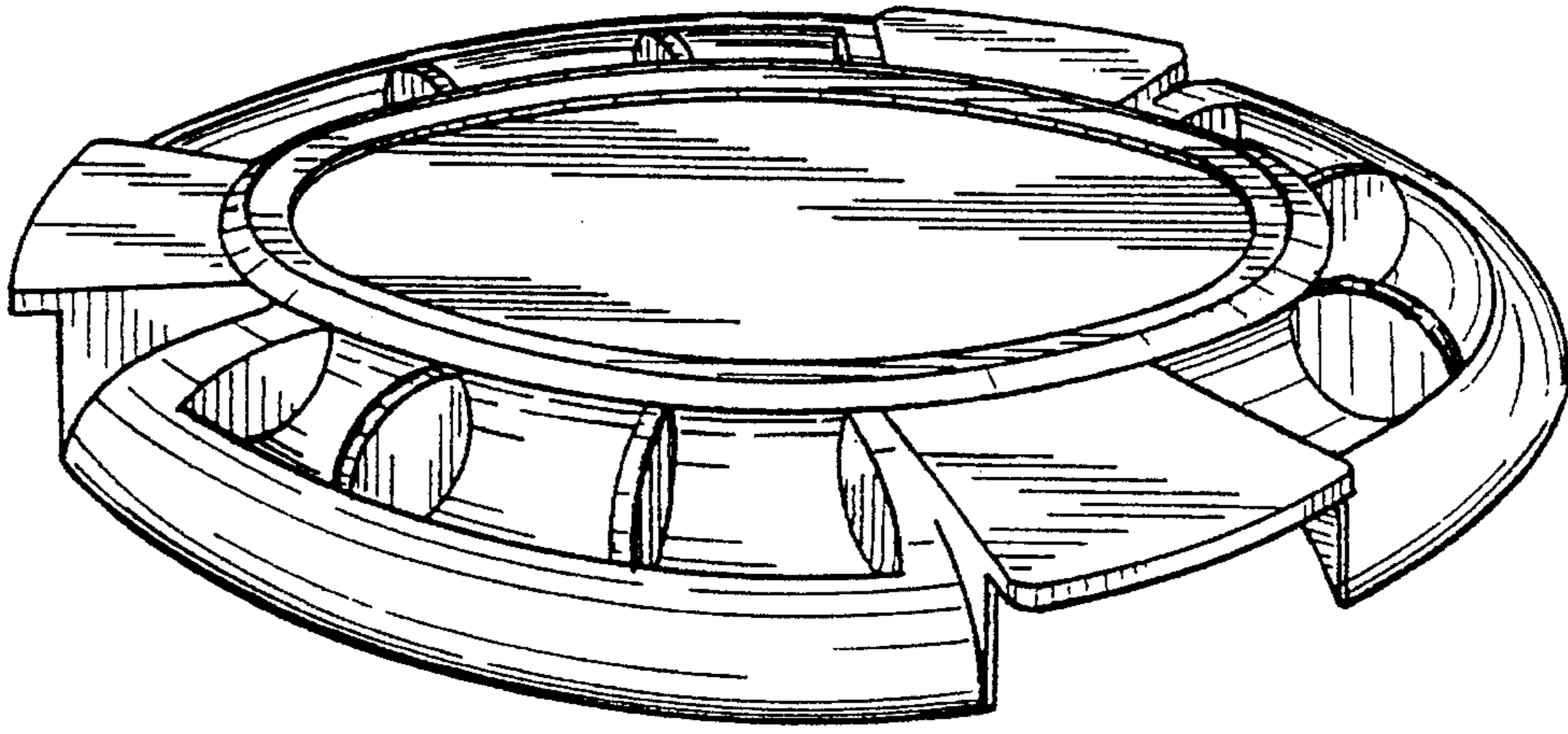


FIG. 2

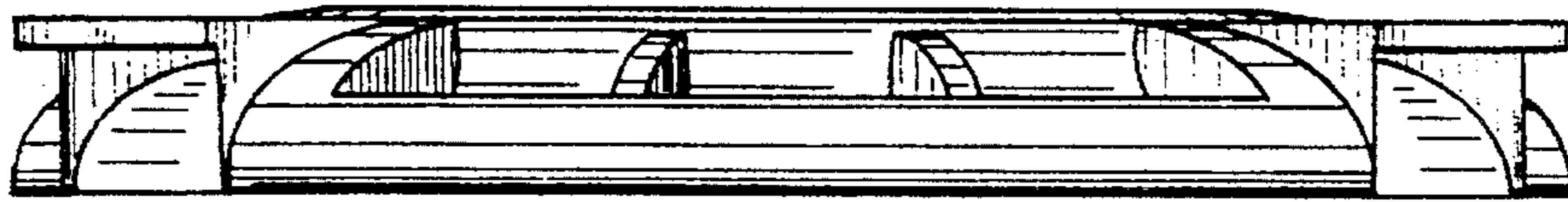


FIG. 3

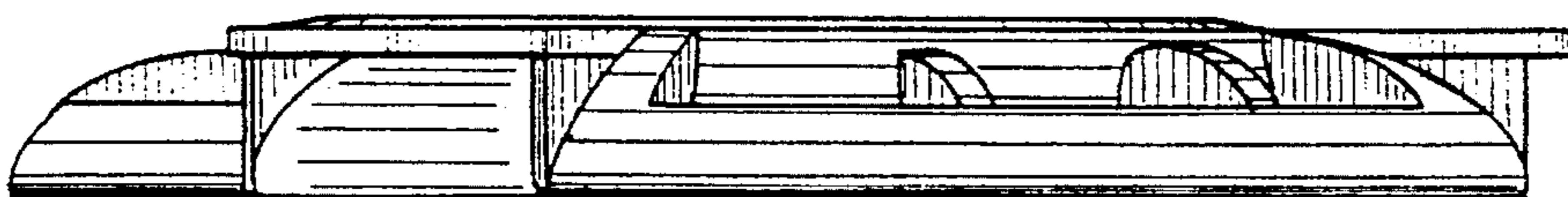


FIG. 4



FIG. 5

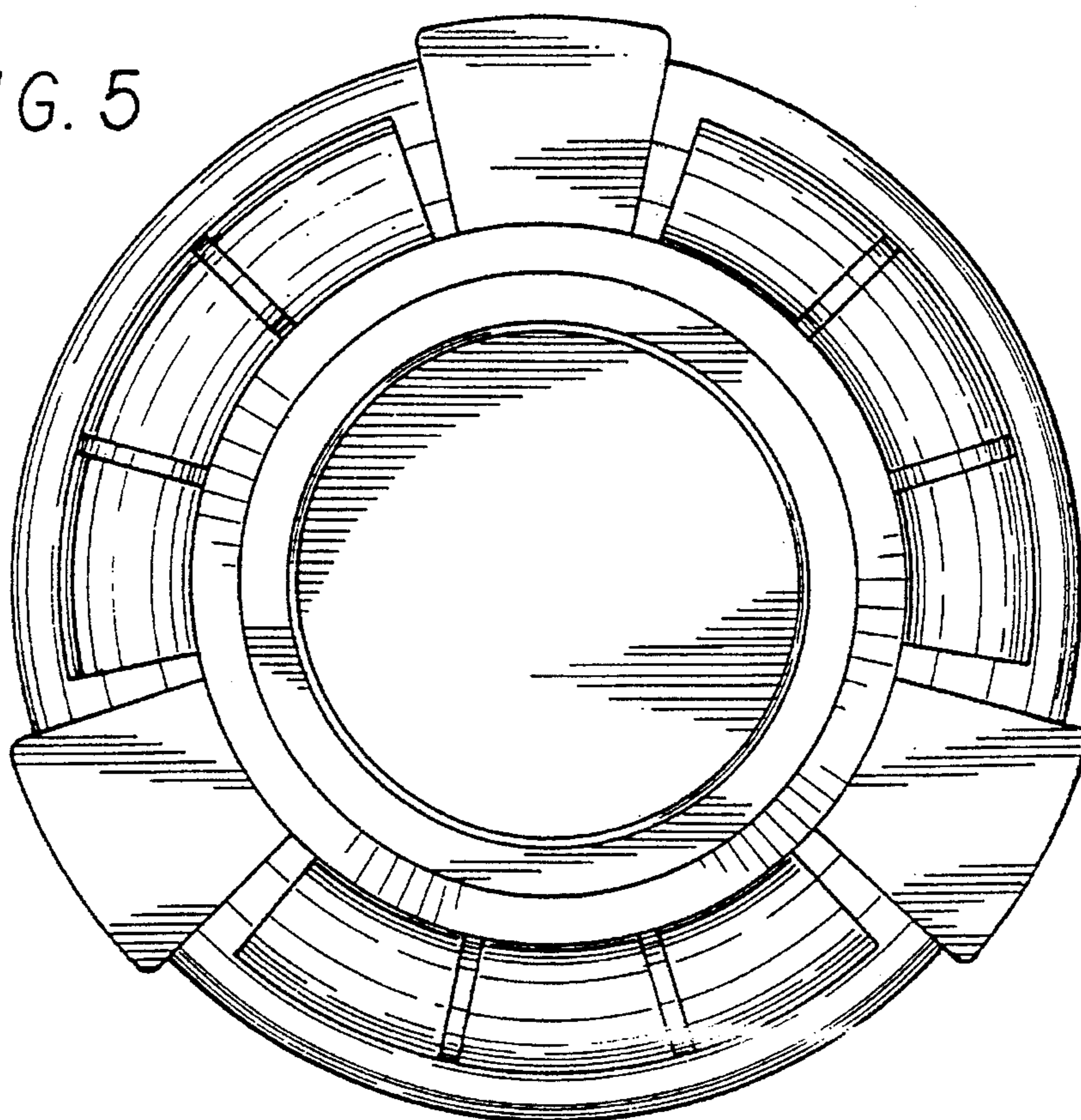


FIG. 6

