



US00D368494S

**United States Patent** [19]  
**Schneider**

[11] **Patent Number: Des. 368,494**

[45] **Date of Patent: \*\*Apr. 2, 1996**

[54] **DART BOARD FRAME**

*Attorney, Agent, or Firm*—Joseph S. Heino

[76] Inventor: **Paul Schneider**, 2604 N. Huebner Rd.,  
Oconomowoc, Wis. 53066

[57] **CLAIM**

[\*\*] Term: **14 Years**

The ornamental design for a dart board frame, as shown and described.

[21] Appl. No.: **34,349**

**DESCRIPTION**

[22] Filed: **Feb. 2, 1995**

[52] U.S. Cl. .... **D21/6; D21/48**

[58] **Field of Search** ..... D21/5, 6, 14-36,  
D21/48; 273/236-285, 347, 348, 407, 408

FIG. 1 is a right side, top and front perspective view of the dart board frame showing my new design;

[56] **References Cited**

**U.S. PATENT DOCUMENTS**

D. 261,667	11/1981	Griggs	.....	D21/6
3,151,741	10/1964	Haecker	.....	D21/15
3,300,216	1/1967	Haecker	.....	273/408
4,057,251	11/1977	Jones et al.	.....	273/408

FIG. 2 is an enlarged front elevational view thereof;

FIG. 3 is an enlarged right side elevational view thereof, the left side being a mirror image;

FIG. 4 is an enlarged top plan view thereof;

FIG. 5 is an enlarged bottom plan view thereof; and,

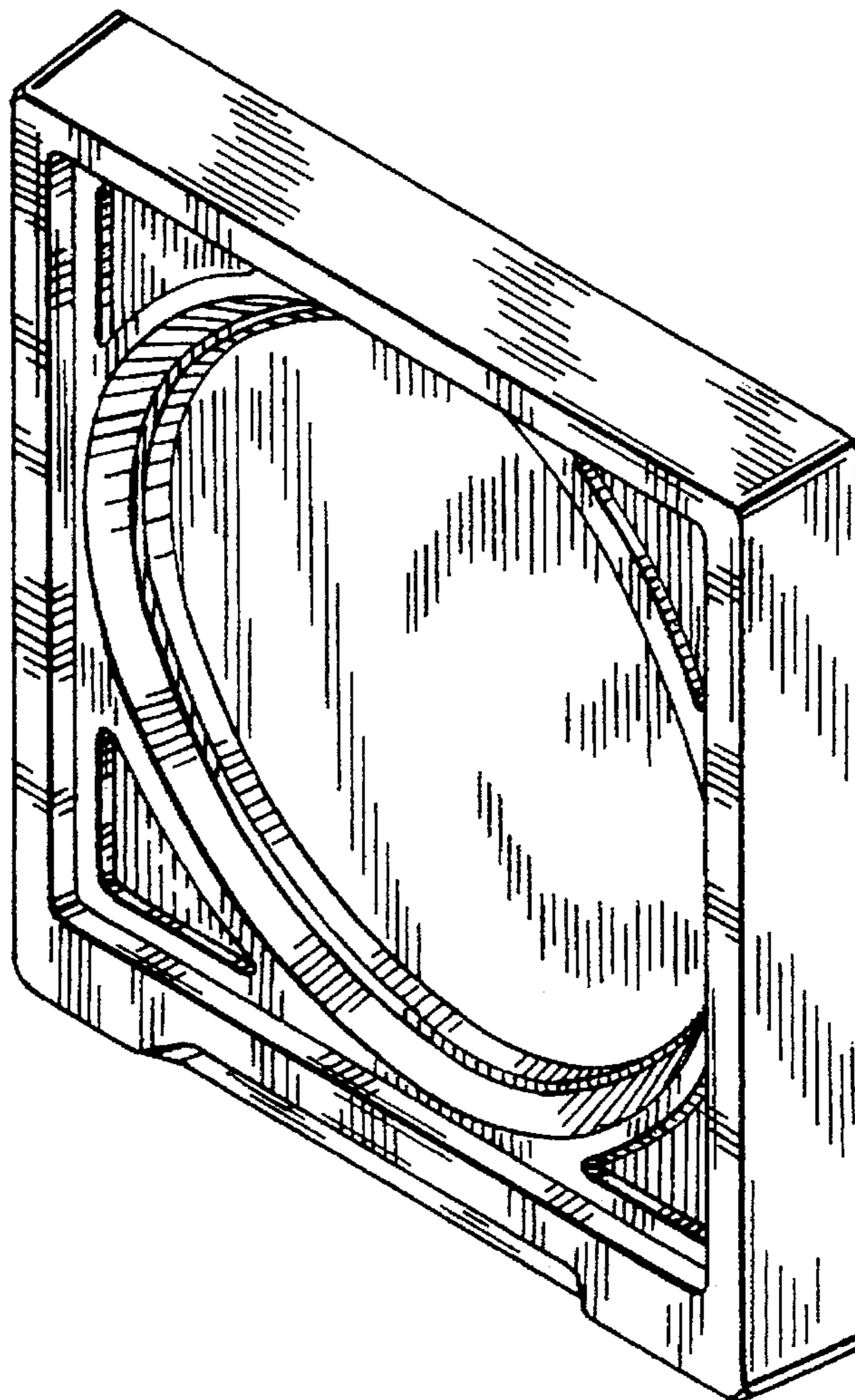
FIG. 6 is an enlarged rear elevational view thereof.

**OTHER PUBLICATIONS**

Playmeter Sep. 1987 p. 24 Pub Time Wall Mount Dart Board.

*Primary Examiner*—Sandra L. Morris

**1 Claim, 2 Drawing Sheets**



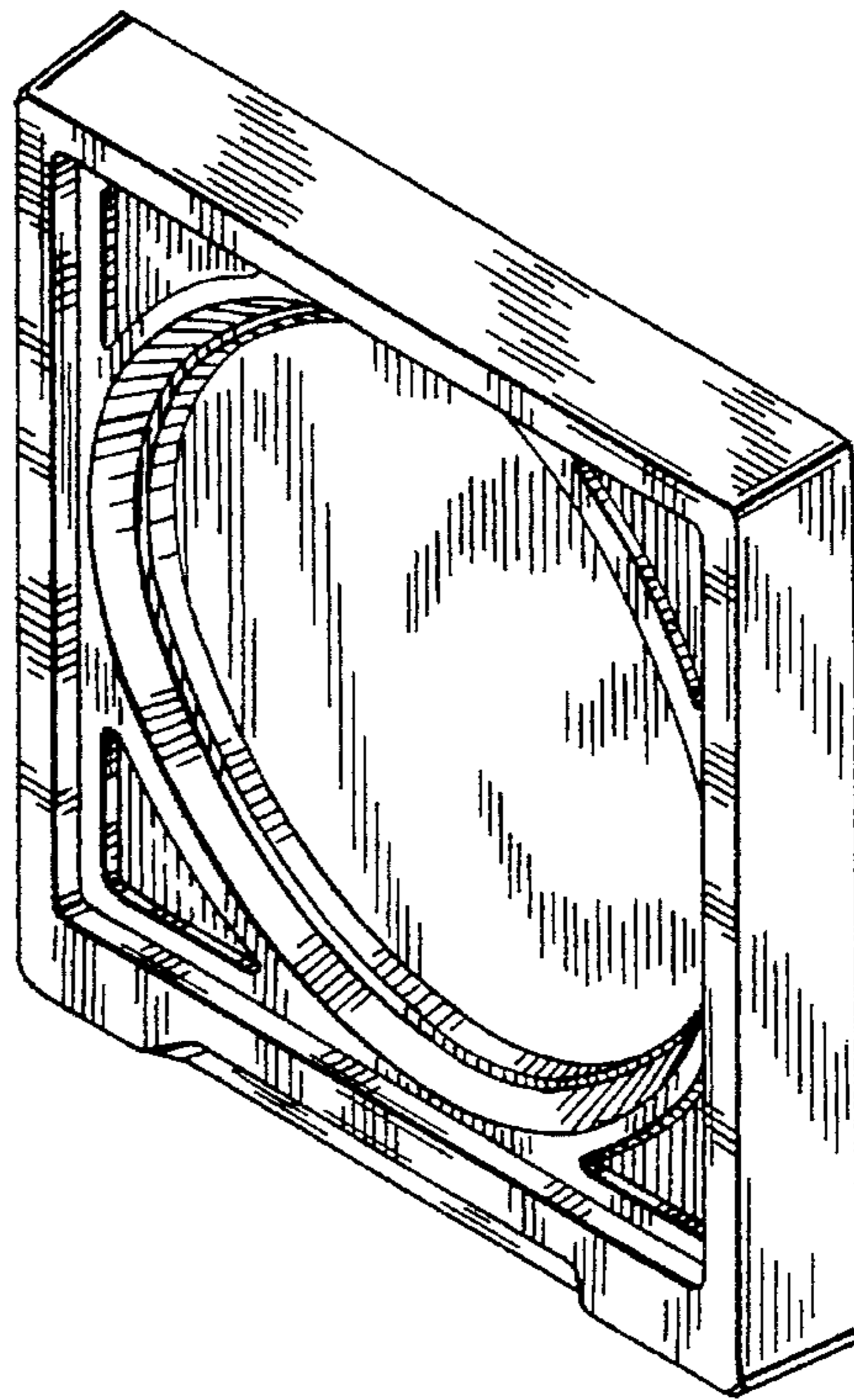


FIG. 1

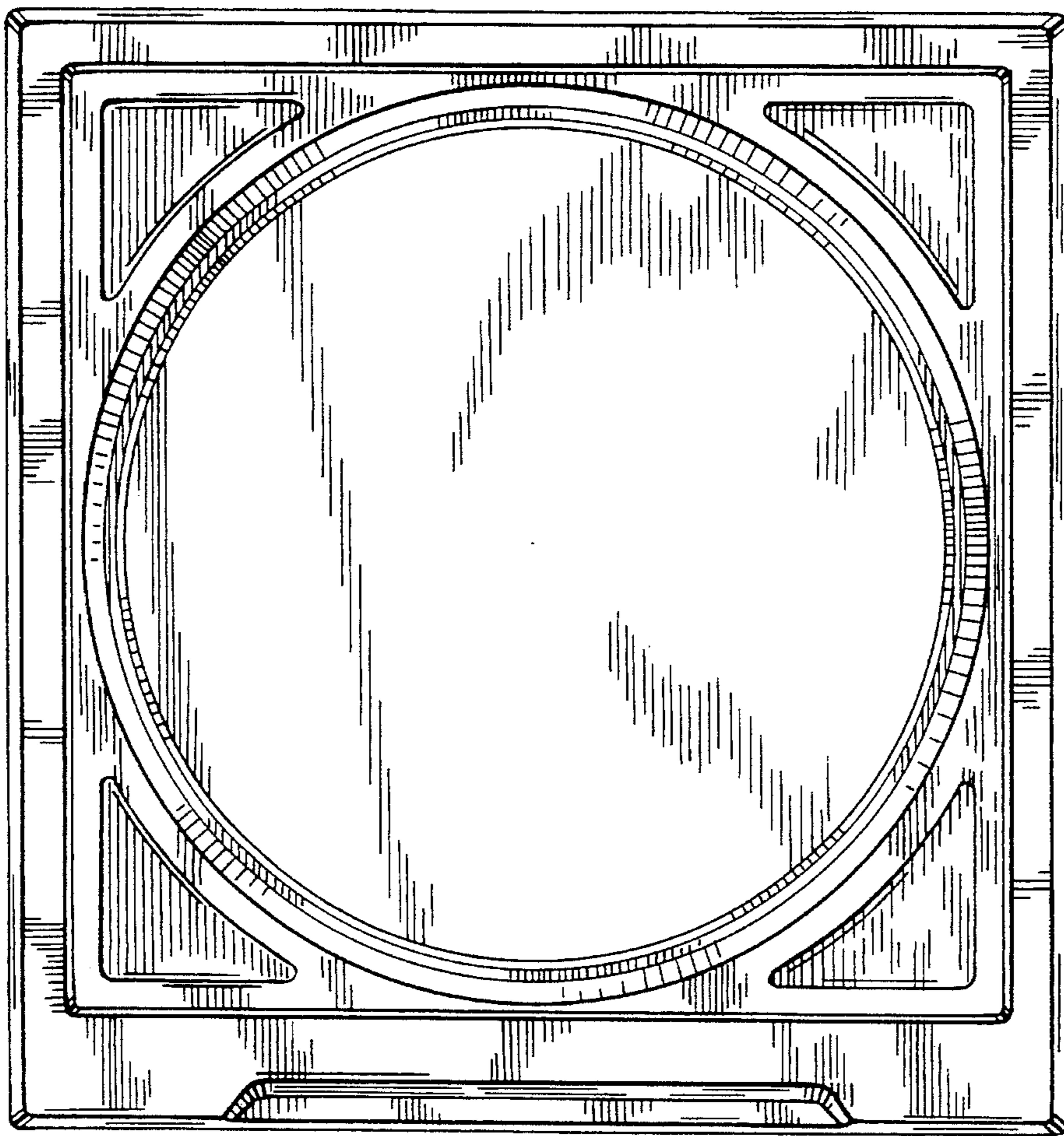


FIG. 2

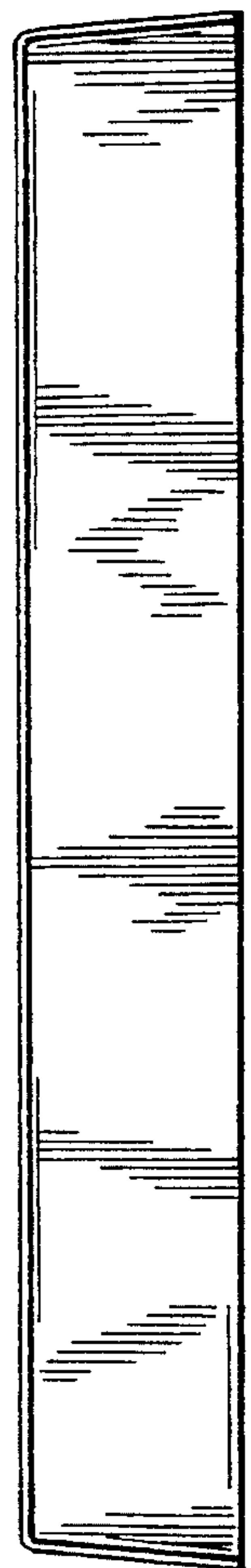


FIG. 3

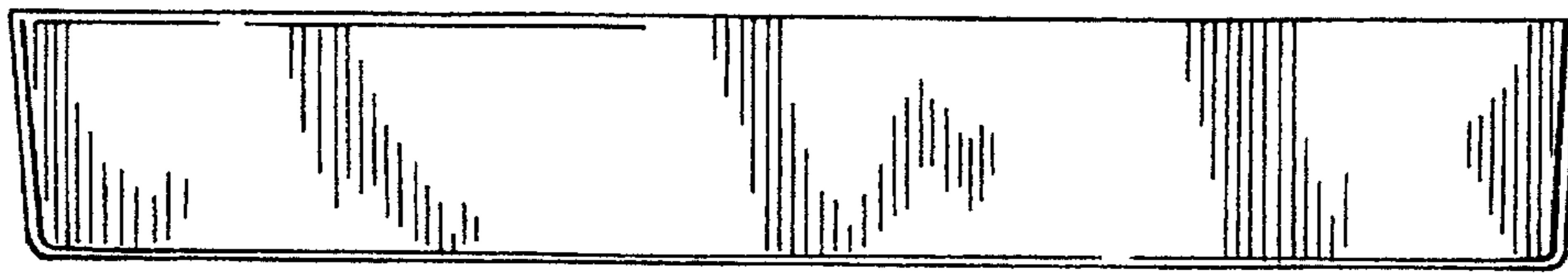


FIG. 4



FIG. 5

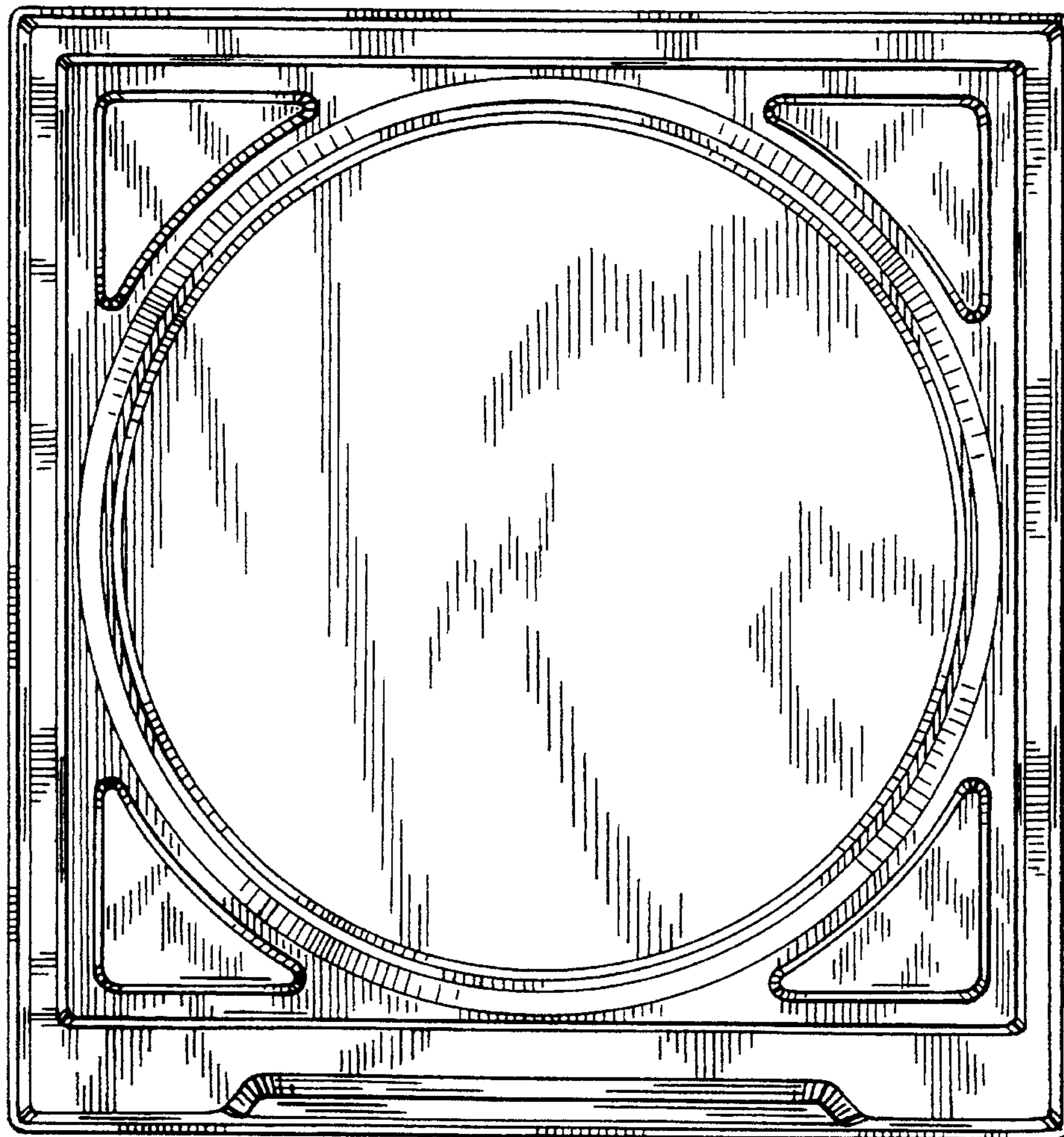


FIG. 6