



US00D368492S

United States Patent [19]
McLaughlin

[11] **Patent Number: Des. 368,492**
[45] **Date of Patent: **Apr. 2, 1996**

[54] **TOY FOR CHILDREN TO TIE KNOTS**

4,342,557 8/1982 Bandar 434/260

[76] Inventor: **Melody McLaughlin**, 215 Rasberry Cir., Hebron, Ohio 43025

Primary Examiner—A. Hugo Word
Assistant Examiner—Pamela Burgess
Attorney, Agent, or Firm—Sidney W. Millard

[**] Term: **14 Years**

[21] Appl. No.: **37,889**

[57] **CLAIM**

The ornamental design for a toy for children to tie knots, as shown and described.

[22] Filed: **Apr. 24, 1995**

[52] U.S. Cl. **D19/64**

DESCRIPTION

[58] **Field of Search** D19/59, 62, 64;
D21/185; D11/157; D14/230, 234, 235,
236, 238; 434/258, 259, 260, 203, 204

FIG. 1 is a perspective view of my invention for a design of a toy for children to tie knots;

FIG. 2 is a top plan view of FIG. 1;

FIG. 3 is a front elevational view of FIG. 2, the rear elevational view is the same; and,

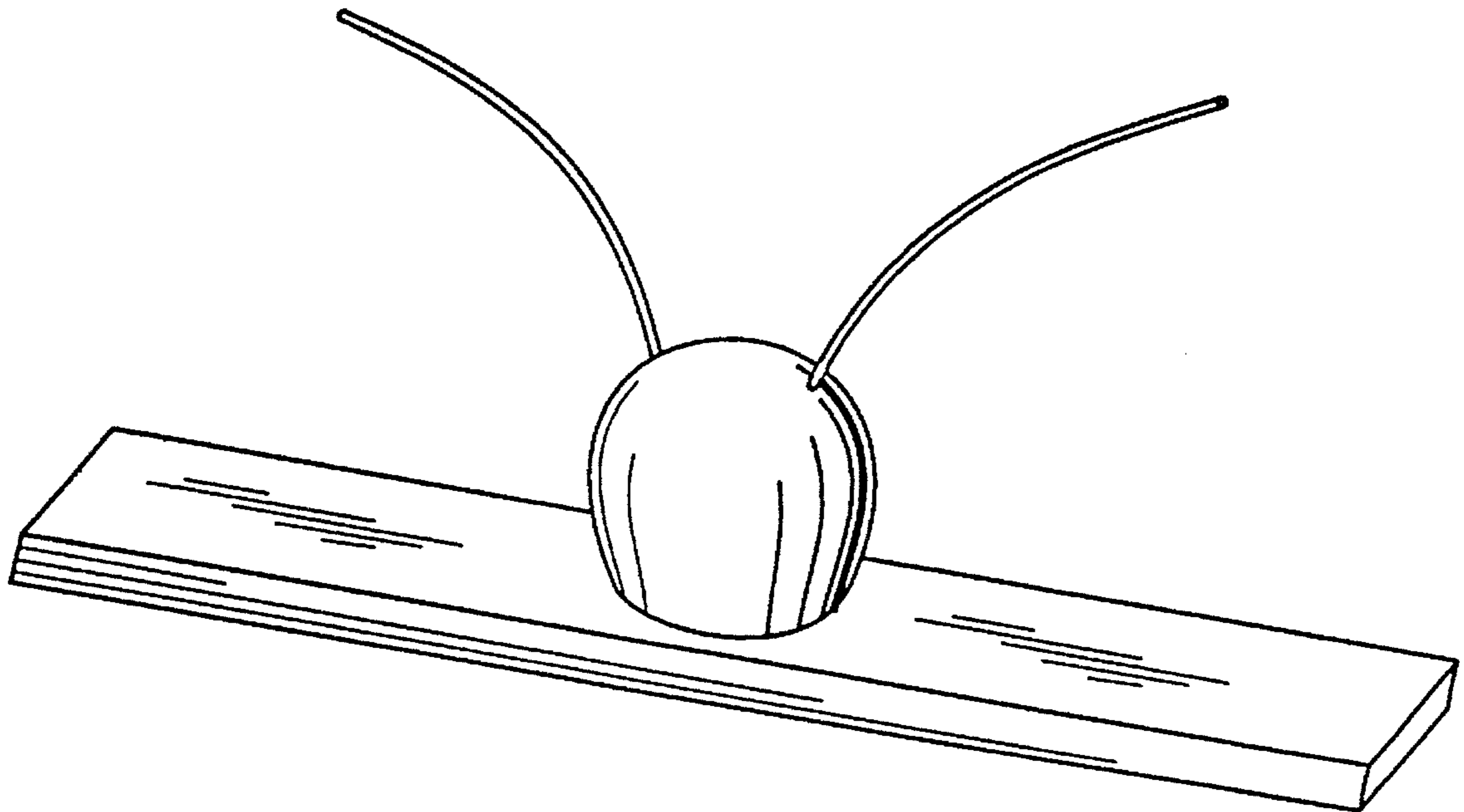
FIG. 4 is a side elevational view of FIG. 2, the opposite side appearing exactly the same.

[56] **References Cited**

U.S. PATENT DOCUMENTS

D. 152,990	3/1949	Leonard	D14/235
2,385,197	9/1945	Eisel	434/260
2,624,957	1/1953	Collins	434/260
4,017,984	4/1977	Bonfigli	434/260

1 Claim, 1 Drawing Sheet



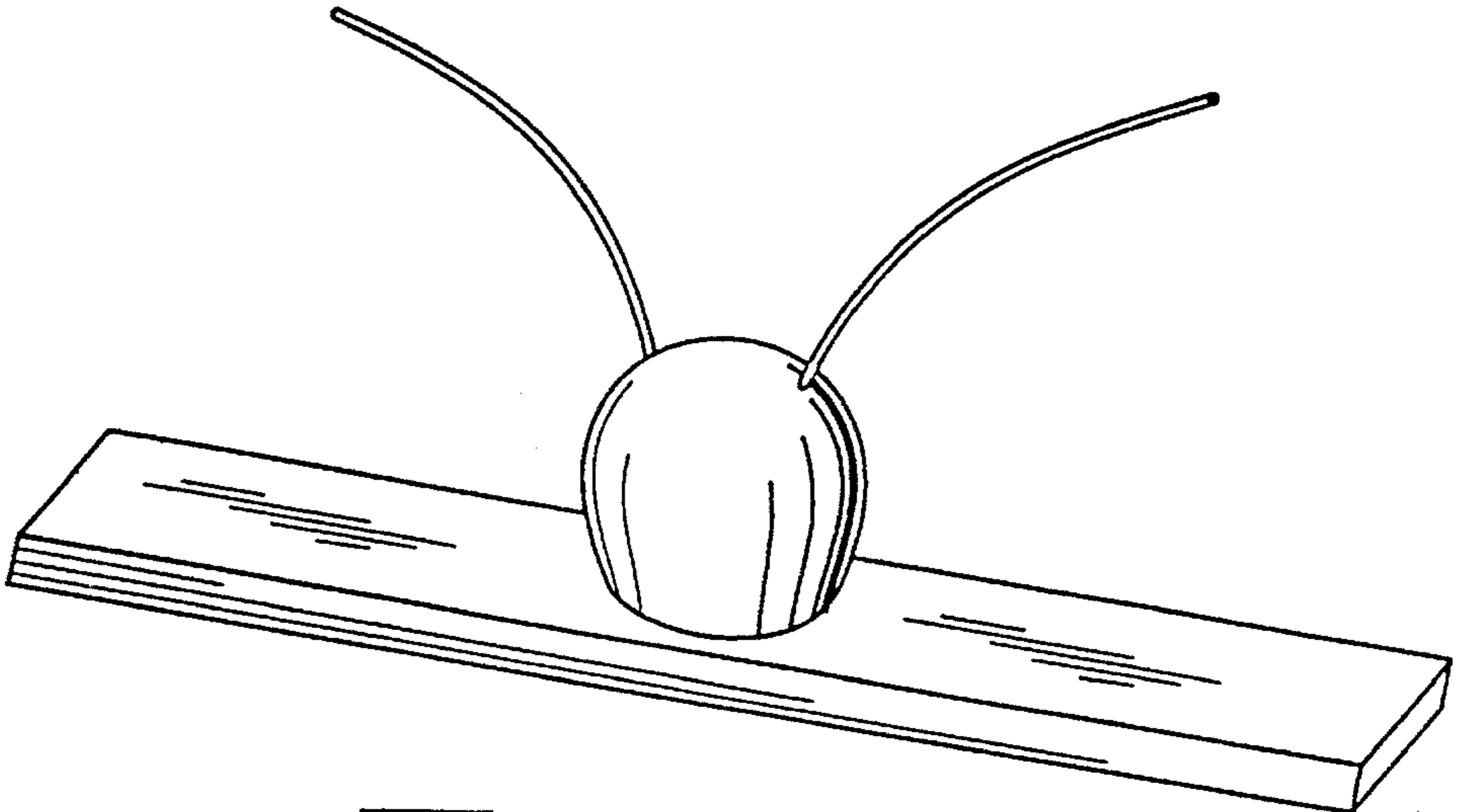


FIG. 1

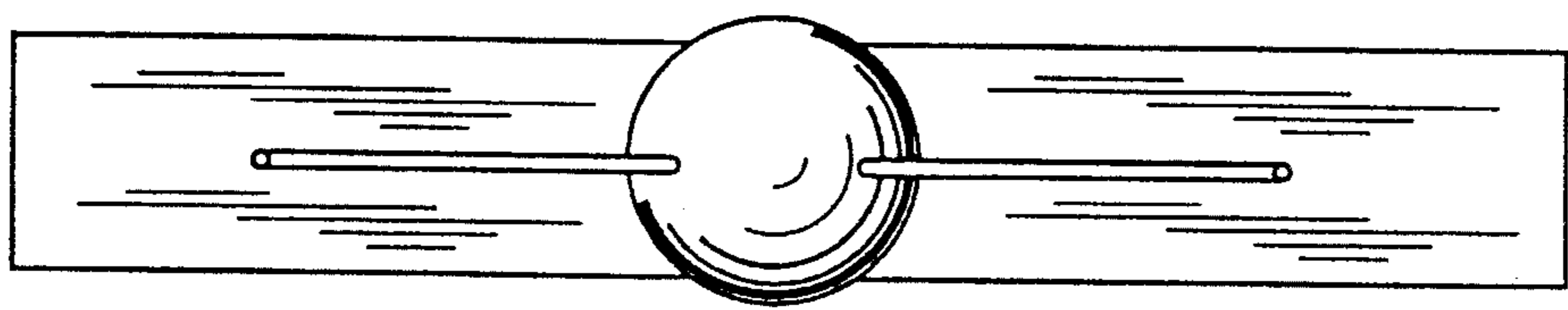


FIG. 2

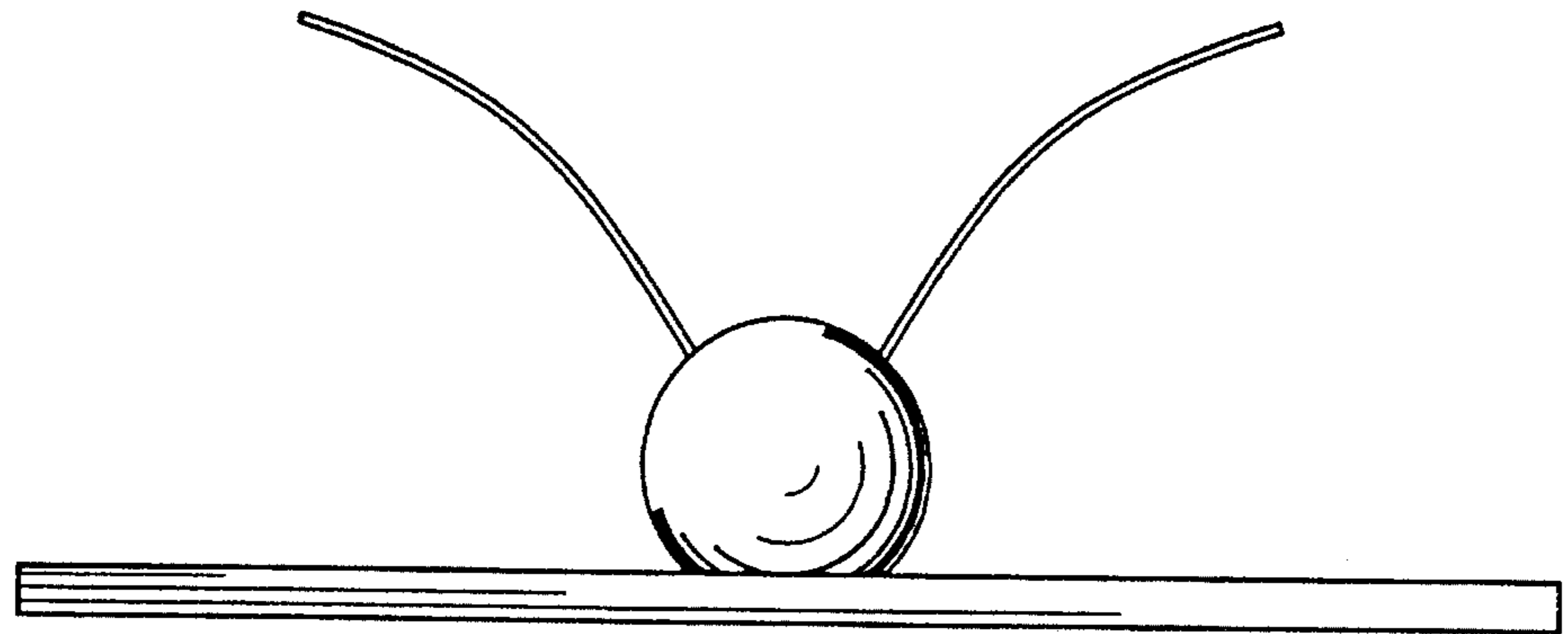


FIG. 3

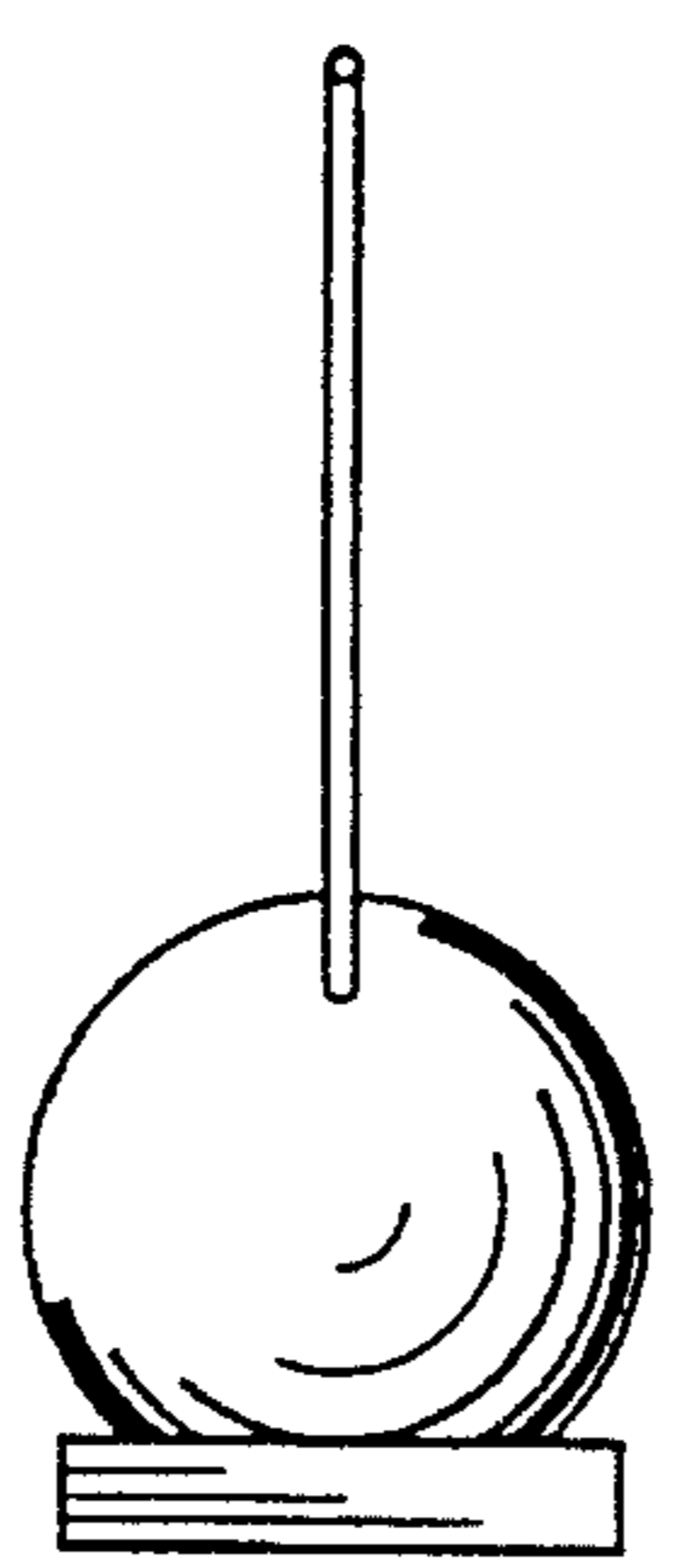


FIG. 4