



US00D368491S

United States Patent [19]
Berardi

[11] **Patent Number: Des. 368,491**
[45] **Date of Patent: **Apr. 2, 1996**

[54] **CLAP BOARD**

[76] Inventor: **Philip N. Berardi**, 1231 Euclid Ave. -
#4, Santa Monica, Calif. 90404

[**] Term: **14 Years**

[21] Appl. No.: **27,245**

[22] Filed: **Aug. 16, 1994**

[52] U.S. Cl. **D19/52; D20/10; D16/237;**
D19/100

[58] **Field of Search** D16/237; D20/10,
D20/19; D19/35, 36, 52, 65, 90, 88, 99,
100; 434/408, 413, 416, 417, 418, 422-425;
352/90, 24, 244; 116/67 R

[56] **References Cited**

U.S. PATENT DOCUMENTS

93,120	7/1869	Pritchard	434/416
D. 116,692	9/1939	Joyce et al.	D20/19
D. 265,486	7/1982	Lundell et al.	D20/10
2,102,905	12/1937	MaGee	116/67 R
2,303,181	11/1942	Thomas	352/24
3,528,731	9/1970	Bird	352/90
4,803,564	2/1989	Sakai	434/408 X

OTHER PUBLICATIONS

Two photographs of a clap board which was in public use and on sale in the United States as early as Aug. 7, 1993.

Primary Examiner—Martie Thompson
Attorney, Agent, or Firm—Jones, Day, Reavis & Pogue

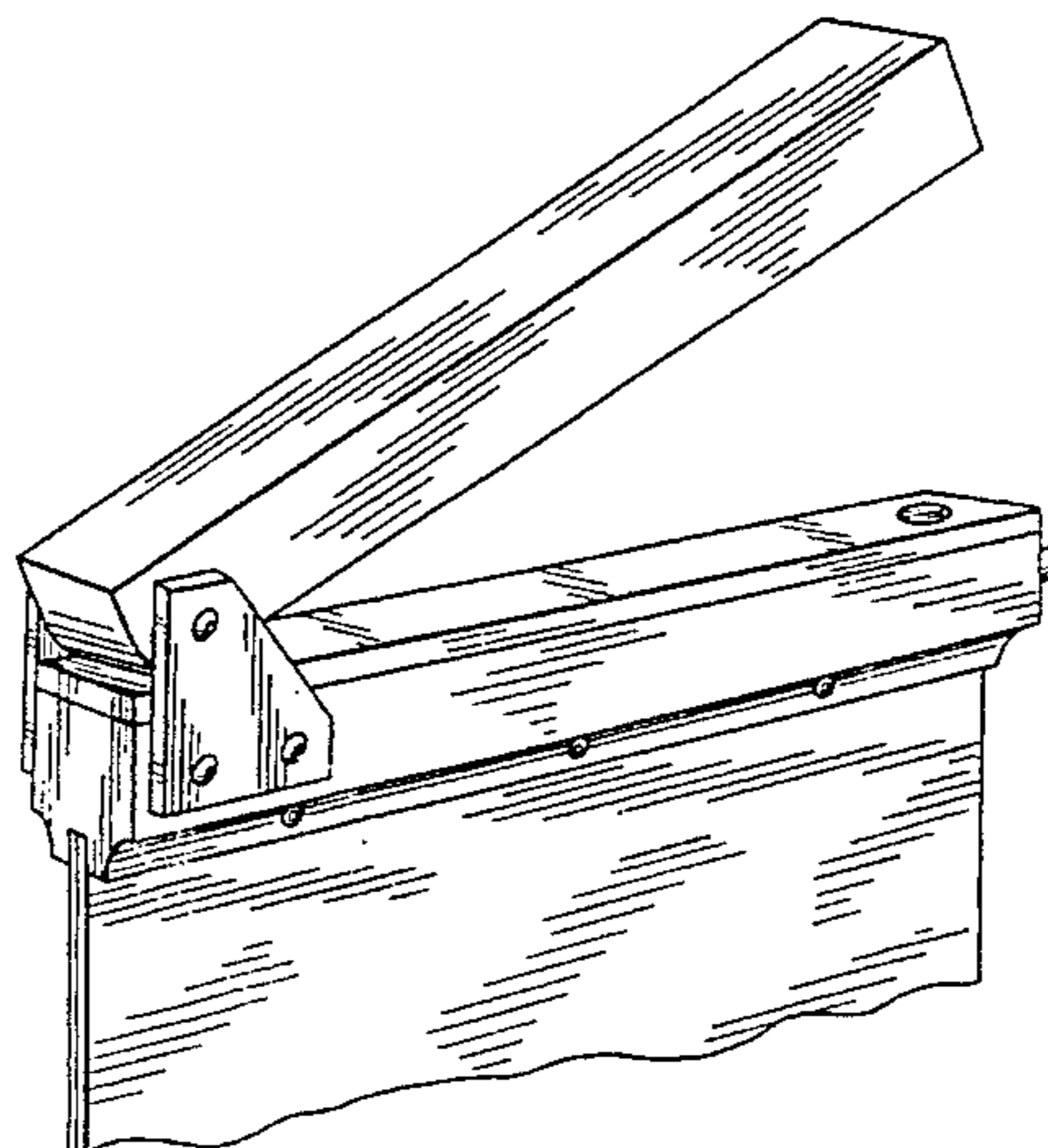
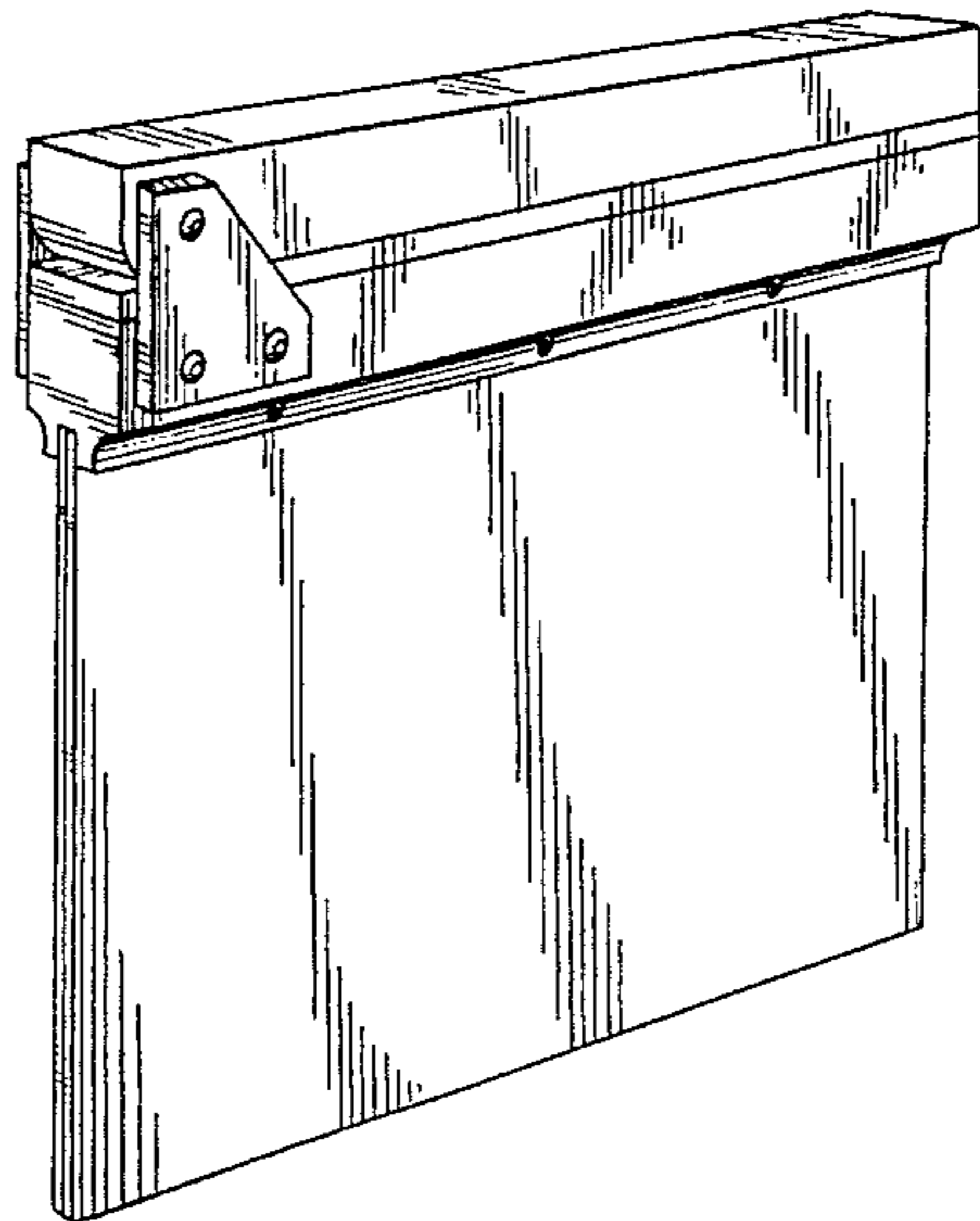
[57] **CLAIM**

The ornamental design for a clap board, as shown and described.

DESCRIPTION

FIG. 1 is a front perspective view of a clap board showing my new design;
FIG. 2 is a top plan view thereof;
FIG. 3 is a front elevational view thereof;
FIG. 4 is a left side elevational view thereof;
FIG. 5 is a right side elevational view thereof;
FIG. 6 is a rear elevational view thereof;
FIG. 7 is a bottom plan view thereof; and,
FIG. 8 is a partial perspective view thereof showing the clap arm in a raised position.

1 Claim, 2 Drawing Sheets



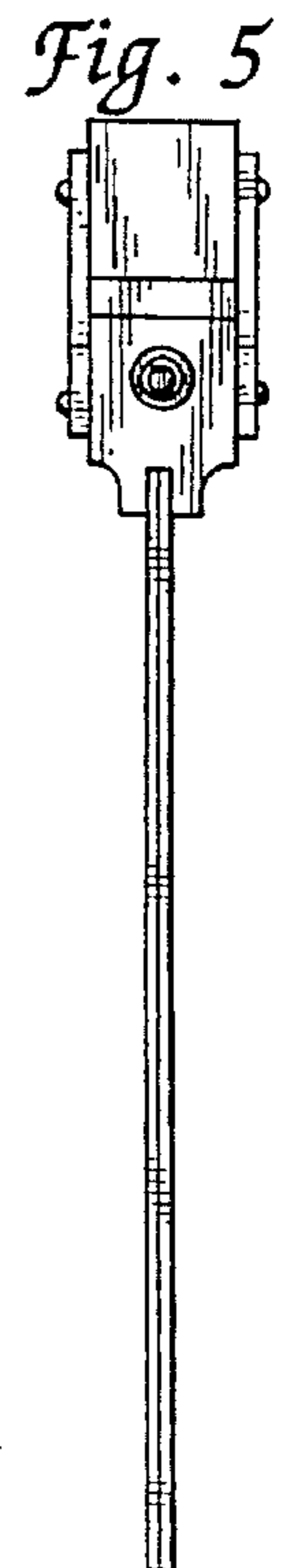
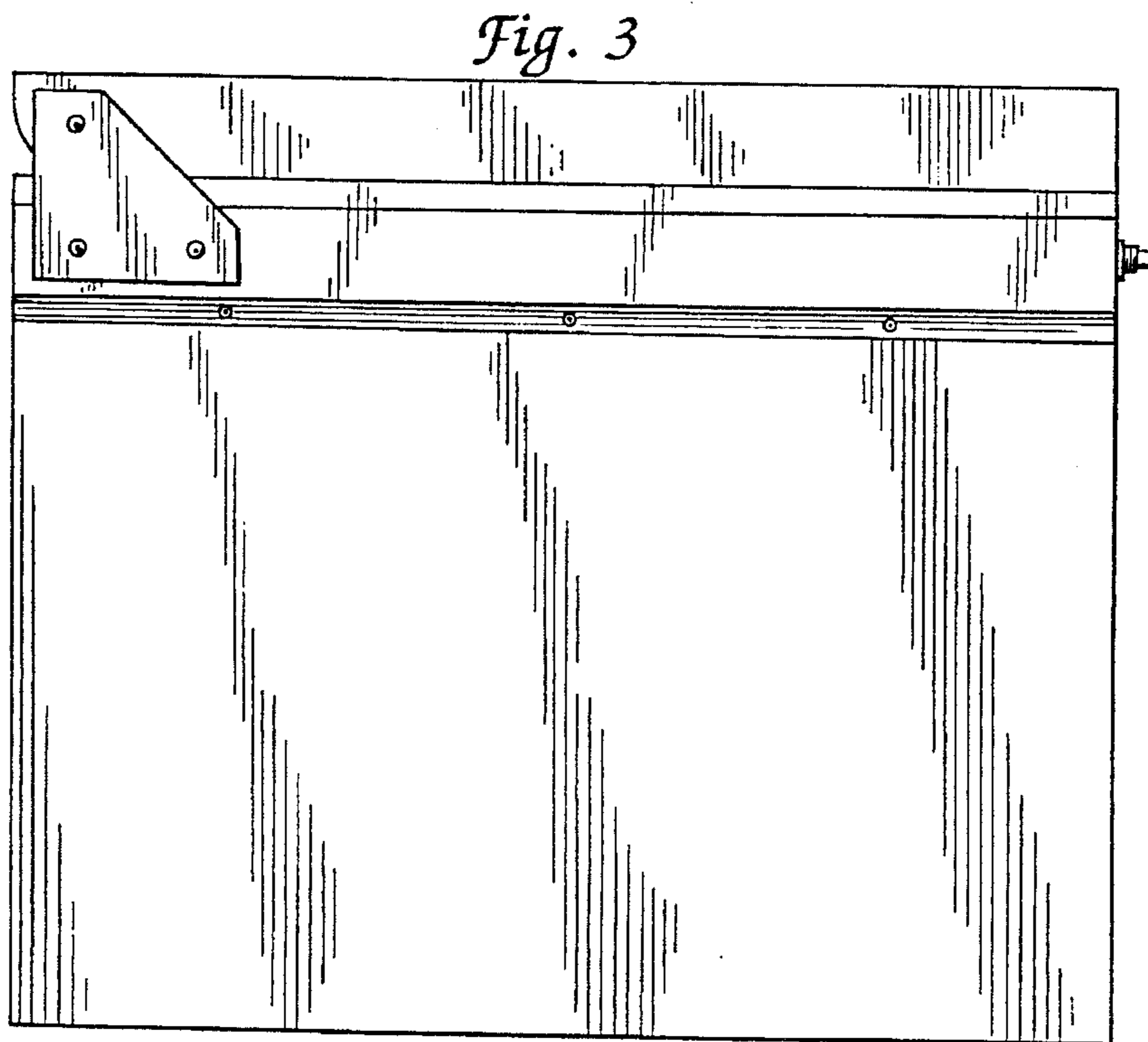
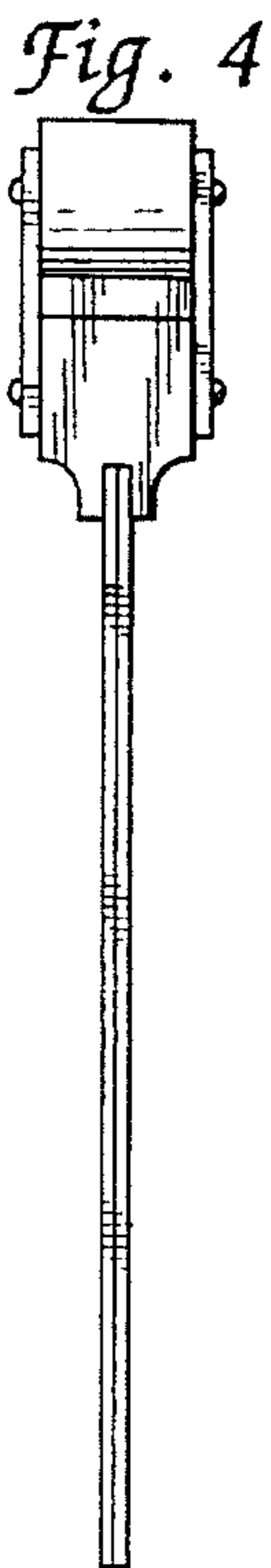
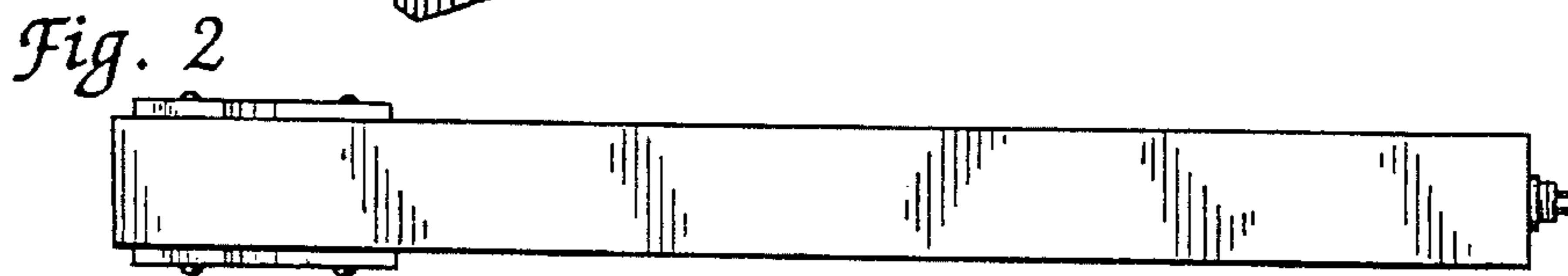
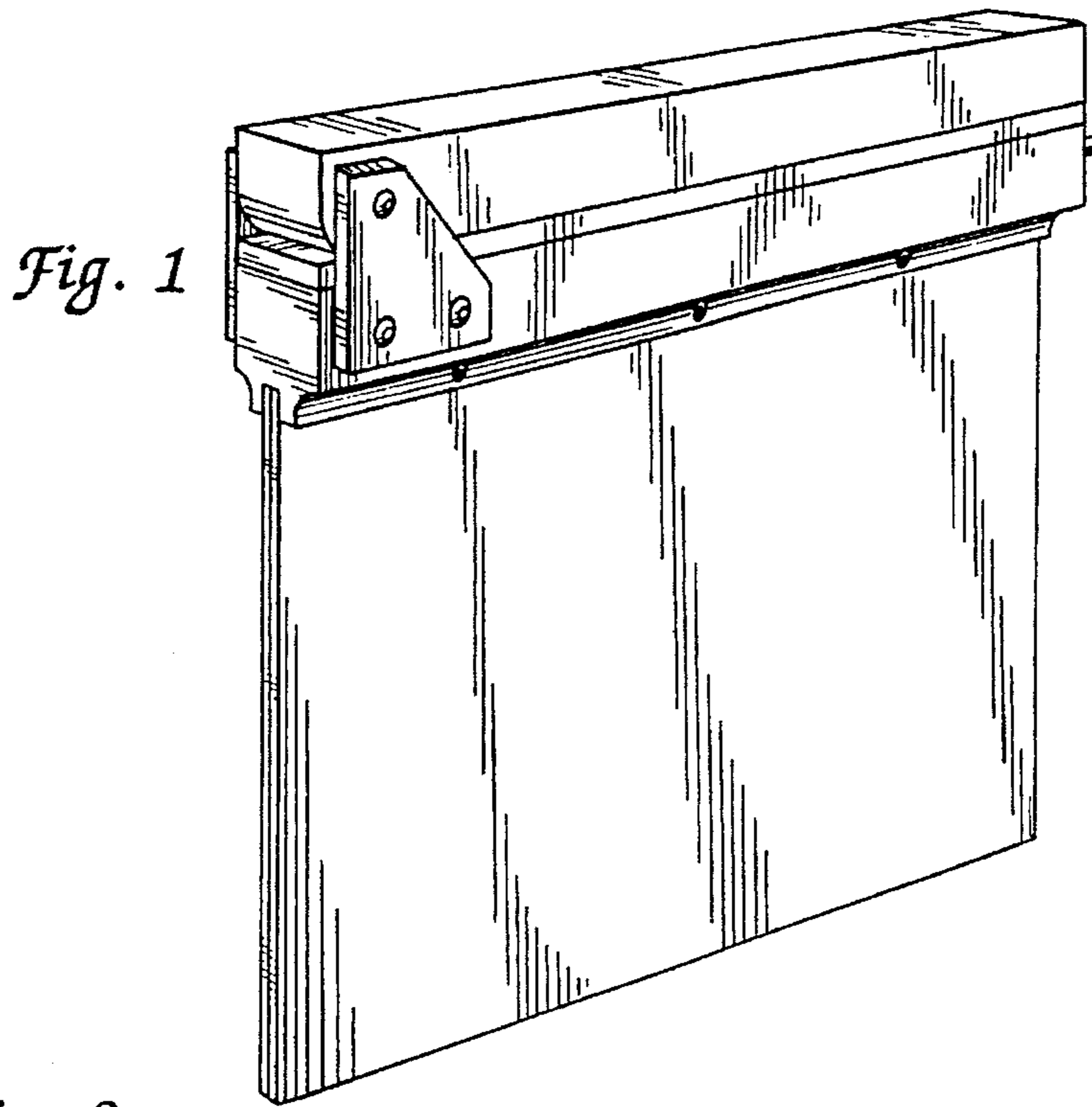


Fig. 6

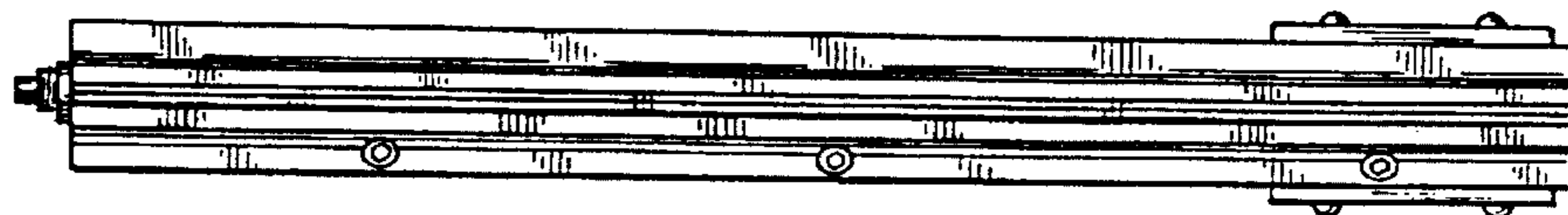
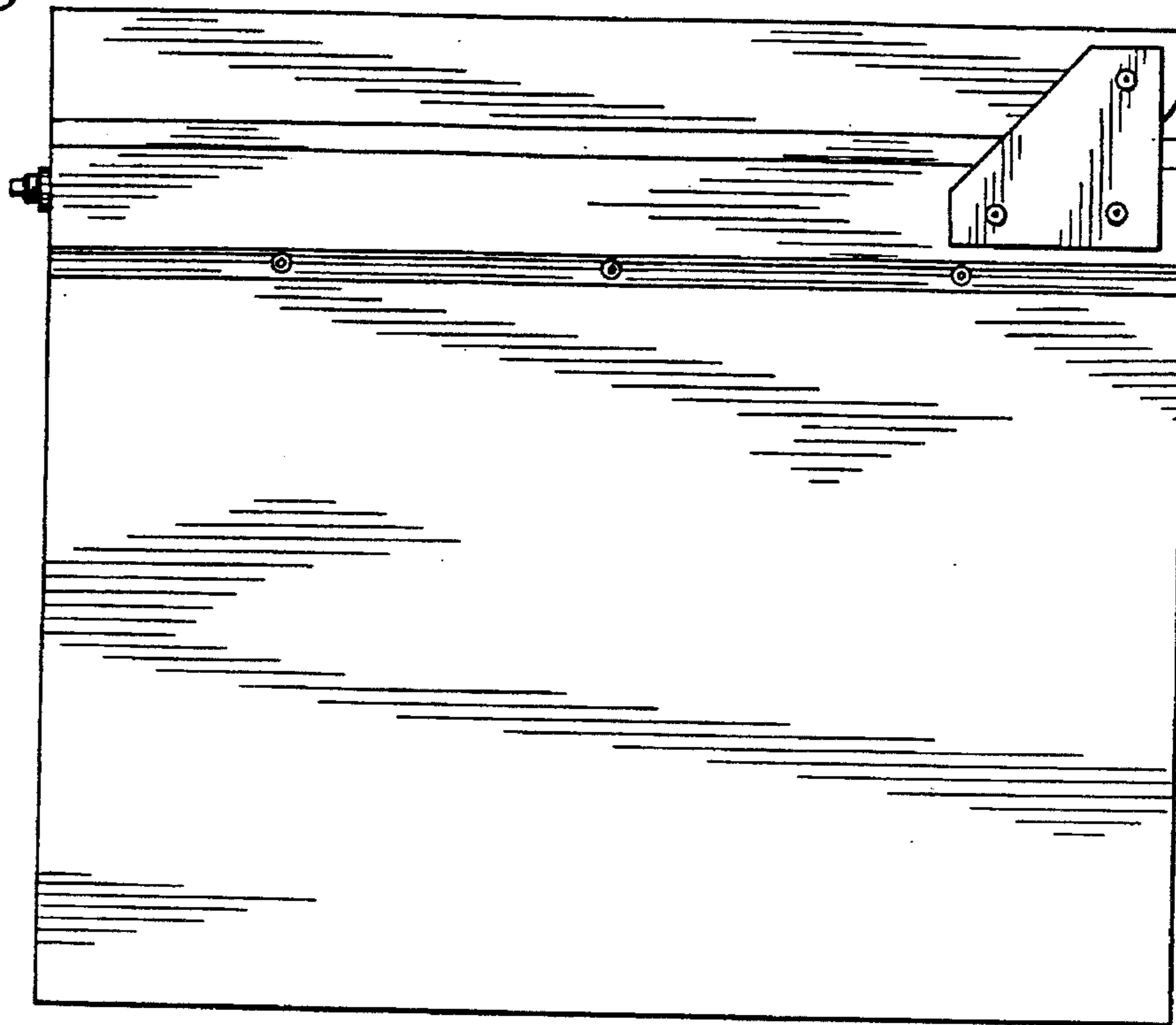


Fig. 7

Fig. 8

