



US00D368484S

# United States Patent [19] Bone

[11] **Patent Number: Des. 368,484**  
[45] **Date of Patent: \*\*Apr. 2, 1996**

[54] **COMBINED REFRIGERATOR AND MICROWAVE OVEN**  
[76] Inventor: **Charles A. Bone**, 235 Sandringham Ct., Knoxville, Tenn. 37922  
[\*\*] Term: **14 Years**  
[21] Appl. No.: **37,639**  
[22] Filed: **Apr. 18, 1995**  
[52] U.S. Cl. .... **D15/81; D7/351**  
[58] **Field of Search** ..... D7/350-351; D6/470-472, D6/397, 432; D15/79-91; 62/246-252, 371, 444, 445, 457.1; 312/114, 116, 128, 236, 237

vol. 13 Cervitor, p. 8, RE-30.  
Sweets General Building & Renovation 1994 Catalog File vol. 13 Dwyer p. 6, wet bar.

*Primary Examiner*—Sandra L. Morris  
*Attorney, Agent, or Firm*—Michael E. McKee

### [57] CLAIM

The ornamental design for a combined refrigerator and microwave oven, as shown and described.

### DESCRIPTION

FIG. 1 is an enlarged perspective view of a combined refrigerator and microwave oven, showing my new design; FIG. 2 is a front elevational view thereof; FIG. 3 is a right side elevational view thereof, the opposite side being a mirror image; FIG. 4 is a rear elevational view thereof; FIG. 5 is a top plan view thereof; FIG. 6 is a front elevational view of another embodiment of a combined refrigerator and microwave oven; and, FIG. 7 is a right side view thereof, the opposite side being a mirror image.  
The bottom view of the design is plain.

### [56] References Cited

#### U.S. PATENT DOCUMENTS

D. 252,730 8/1979 Mazurosky ..... D15/81  
D. 286,882 11/1986 Hong ..... D15/81  
D. 300,898 5/1989 Kido et al. .... D7/351  
D. 324,466 3/1992 Yamagami et al. .... D7/351

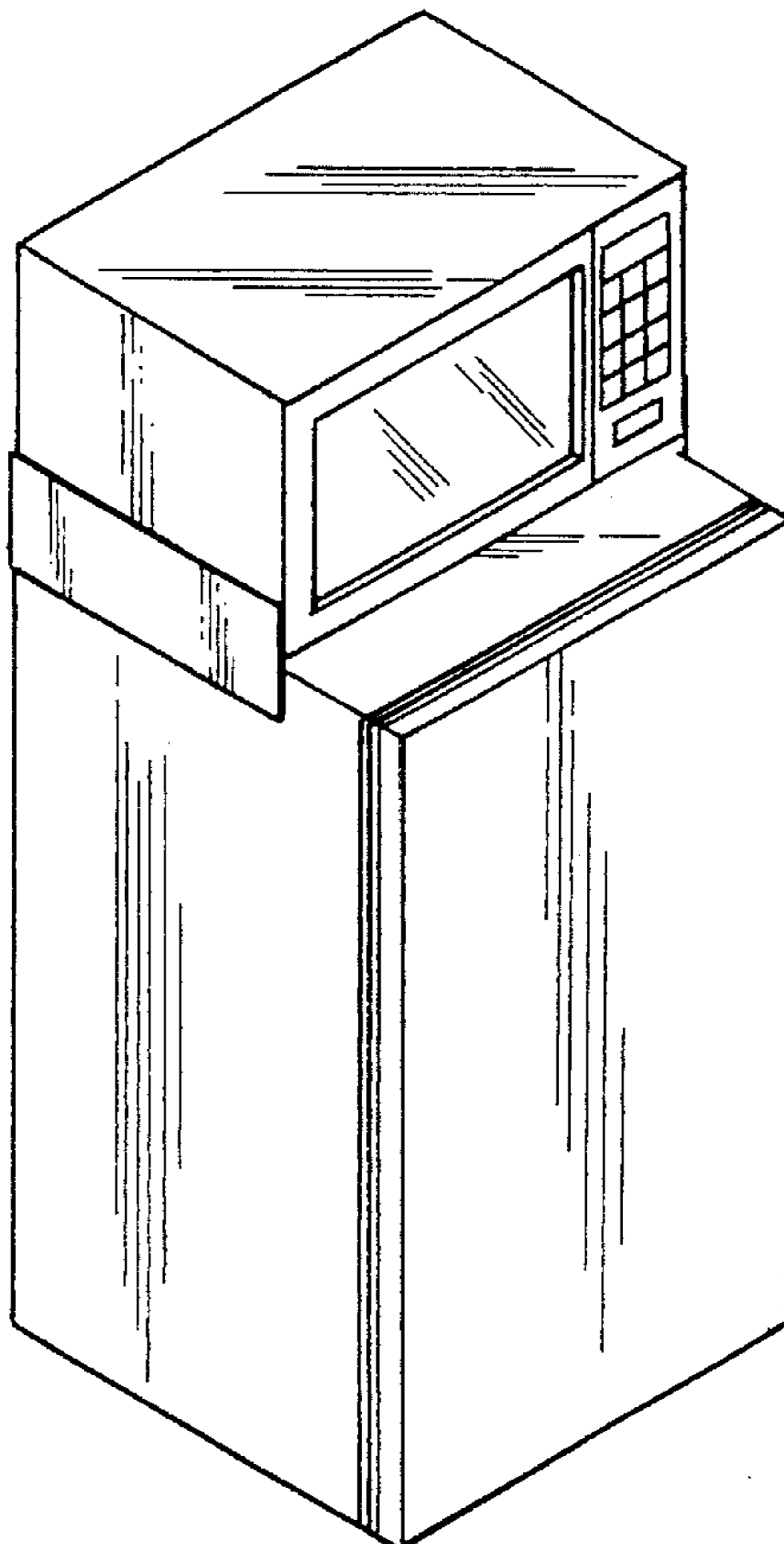
#### FOREIGN PATENT DOCUMENTS

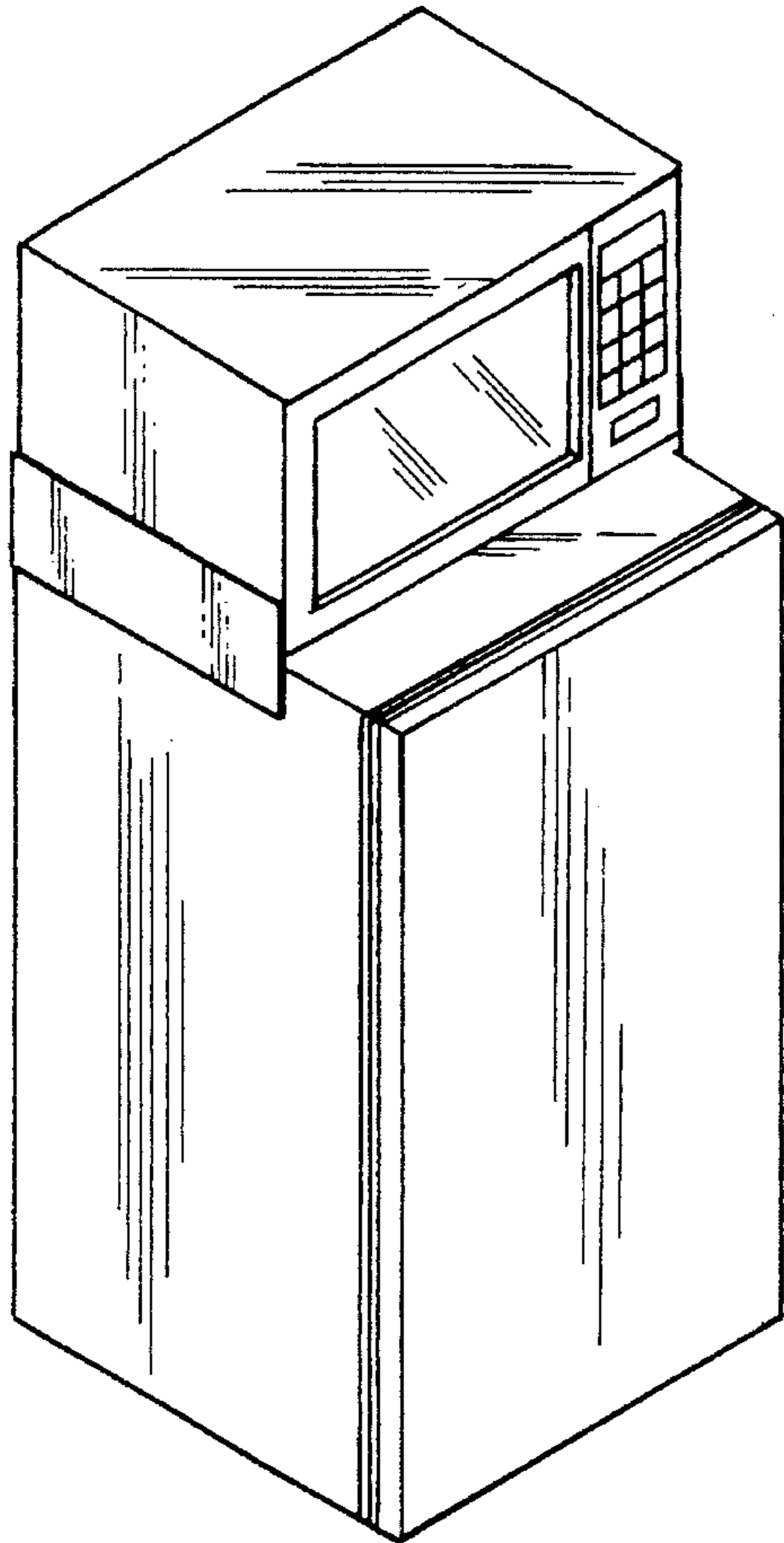
4-194575 7/1992 Japan ..... 62/246

#### OTHER PUBLICATIONS

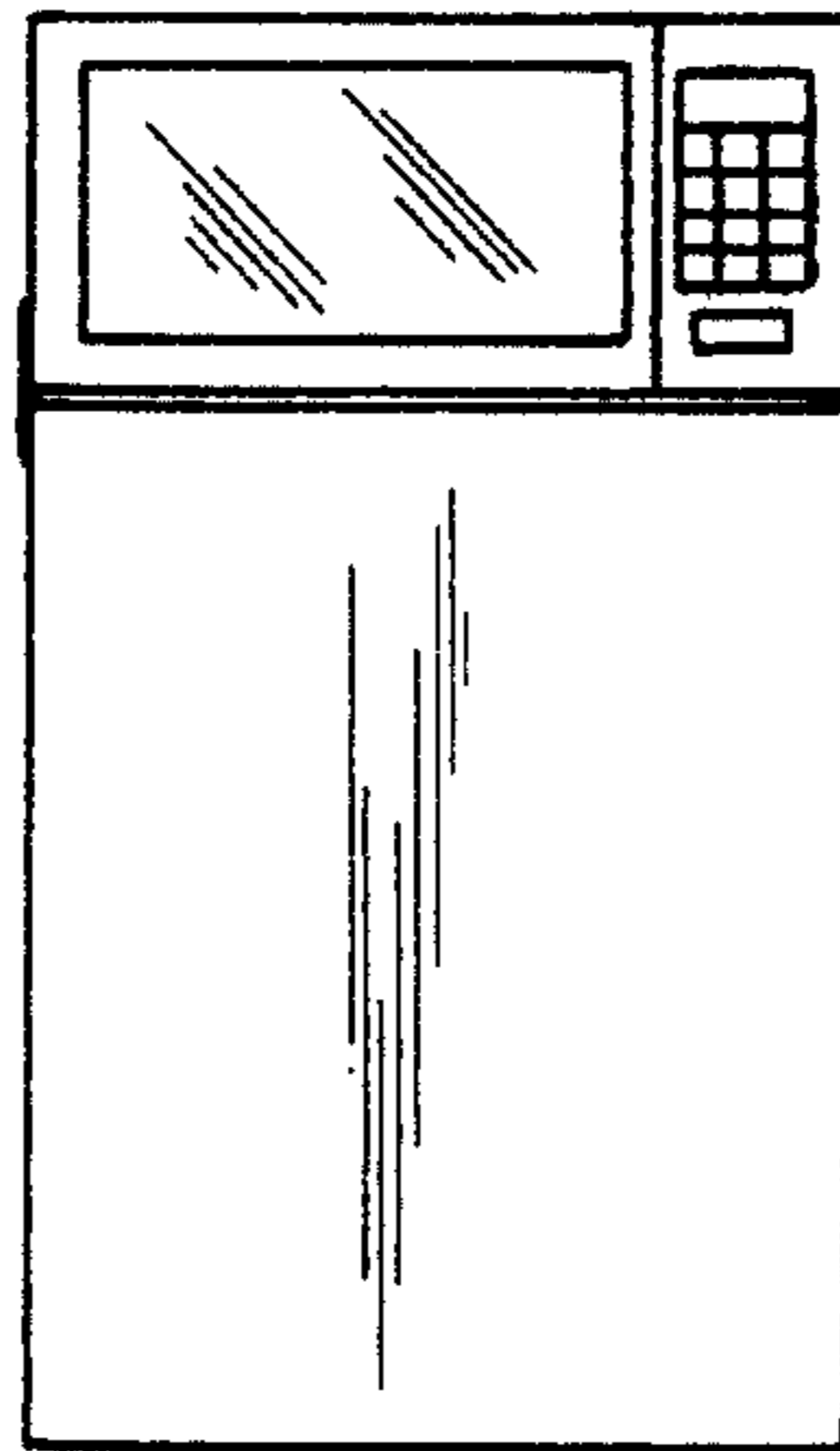
Montgomery Ward Spring Summer 1985 Catalog p. 185 compact kitchen "K".  
Sweets General Building & Renovation 1994 Catalog File

**1 Claim, 1 Drawing Sheet**

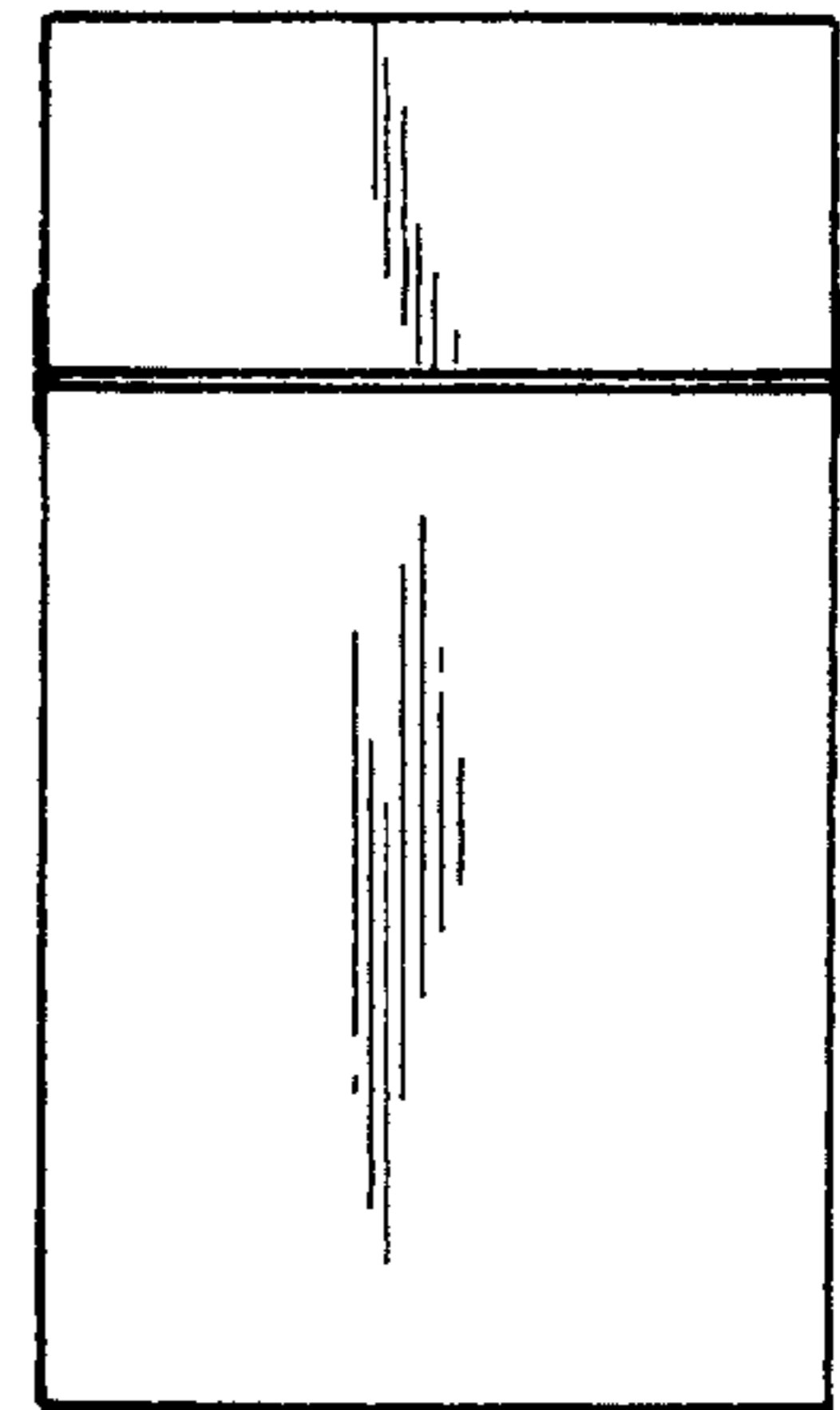




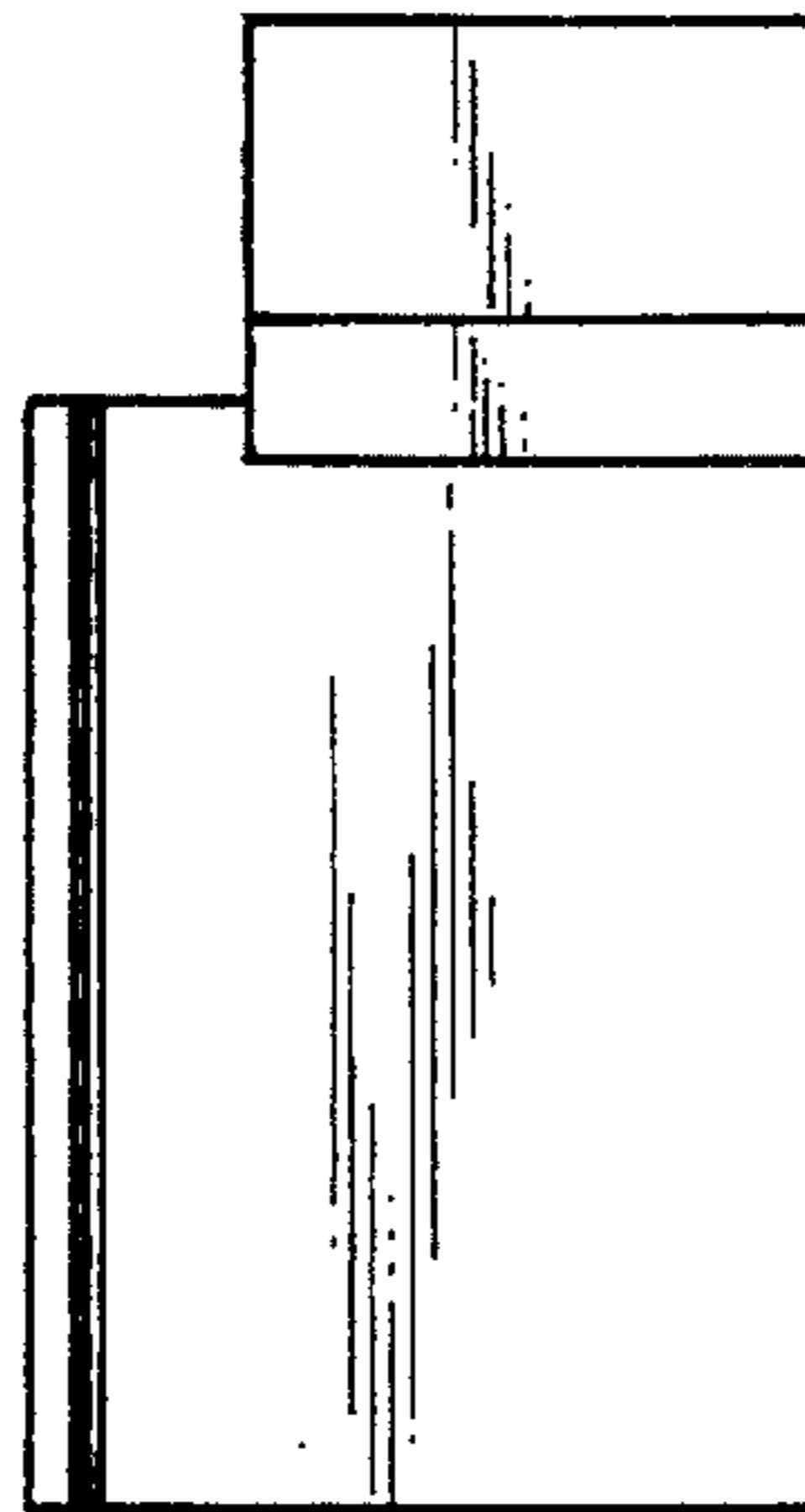
**Fig. 1**



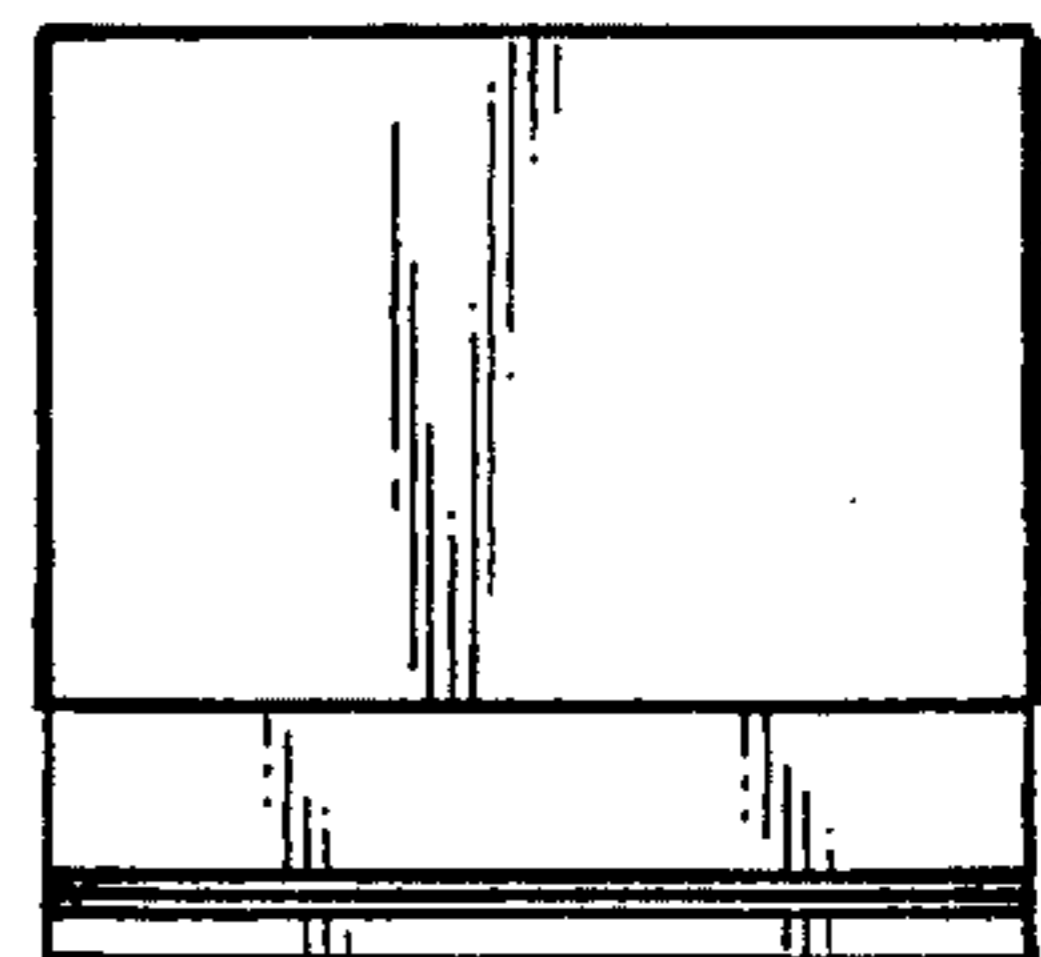
**Fig. 2**



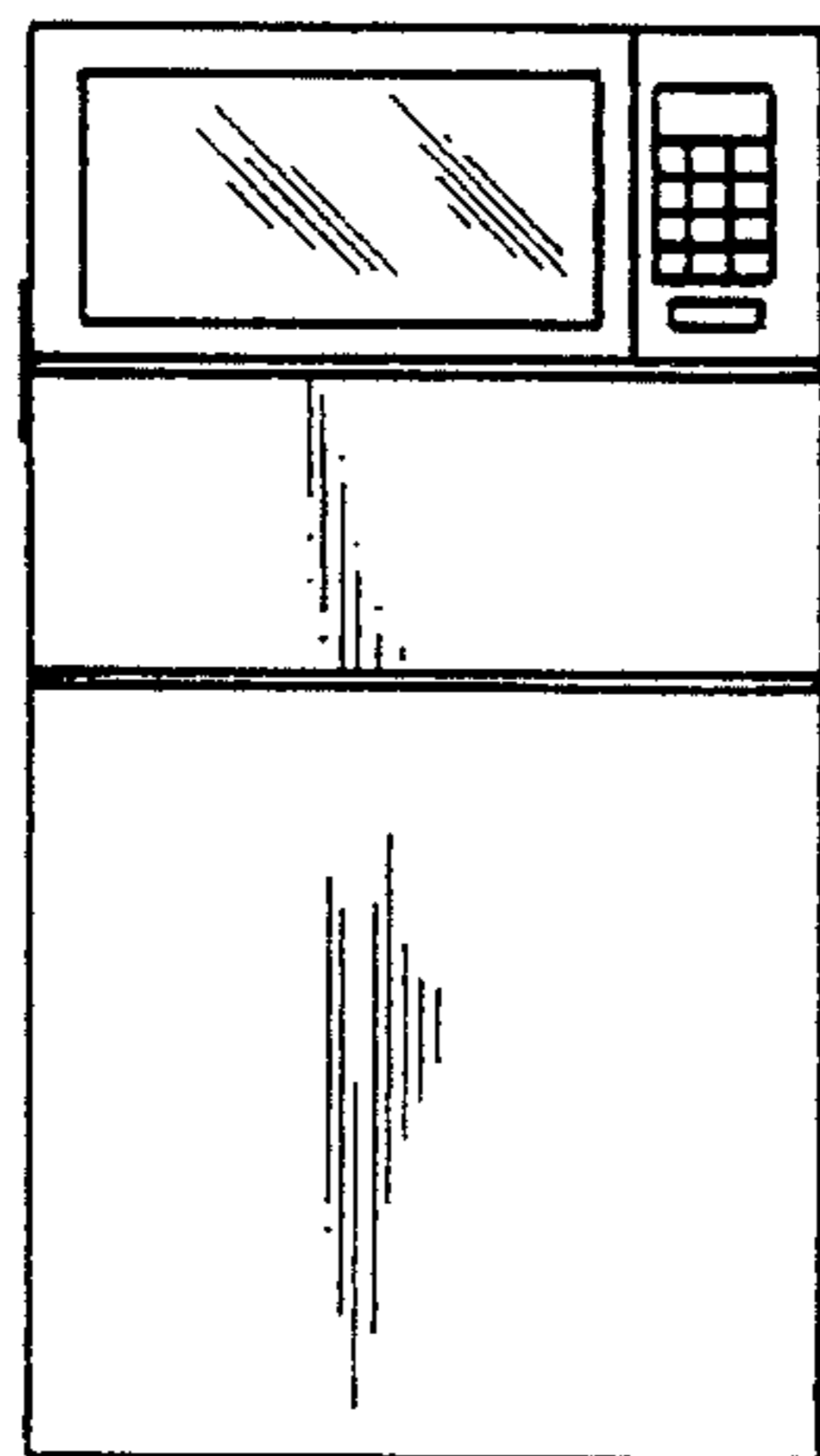
**Fig. 4**



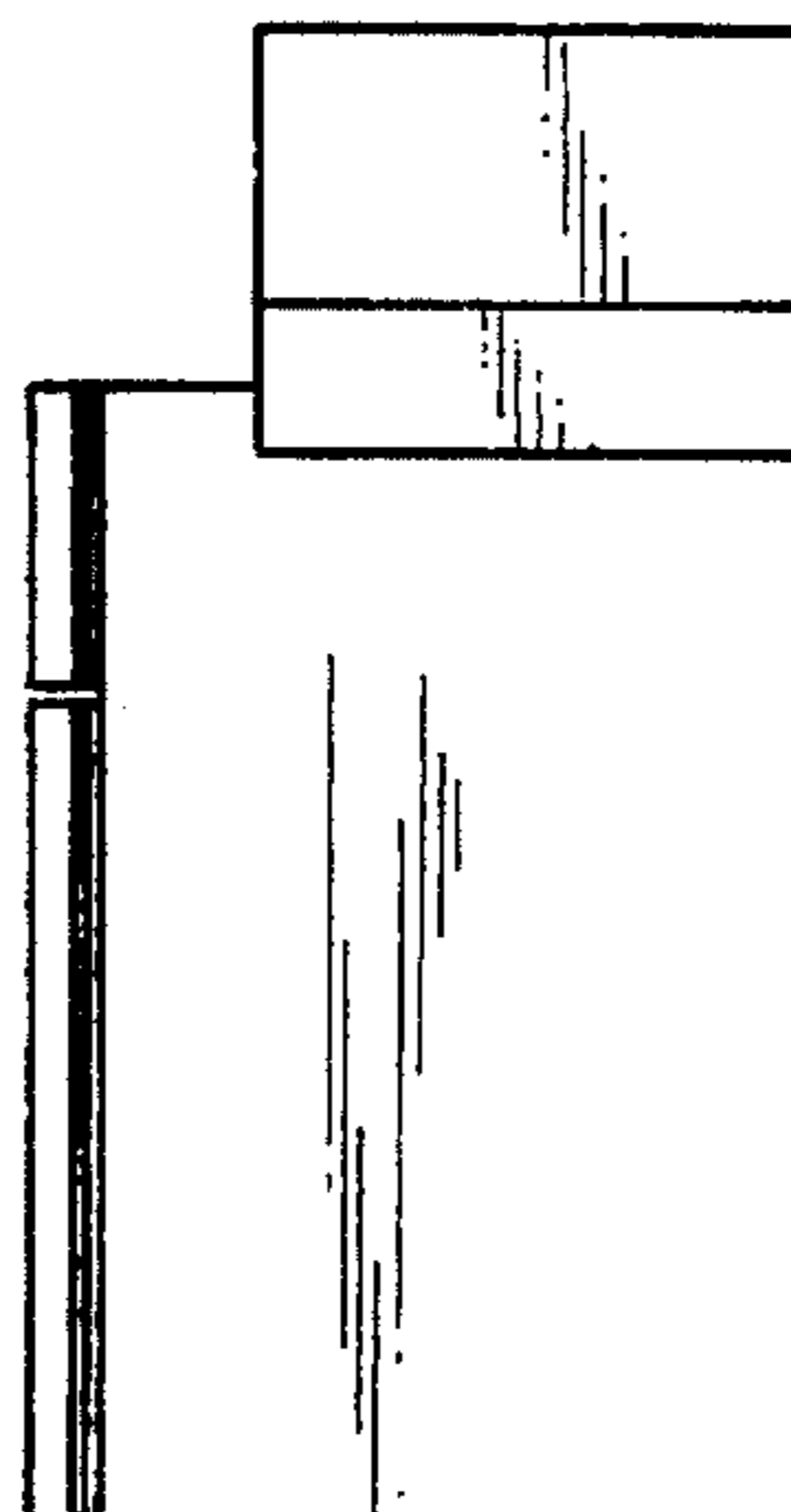
**Fig. 3**



**Fig. 5**



**Fig. 6**



**Fig. 7**