



US00D368481S

United States Patent [19]

Ijames

[11] Patent Number: **Des. 368,481**

[45] Date of Patent: ****Apr. 2, 1996**

[54] **CLUTCH RETAINER**

[75] Inventor: **Carl E. Ijames**, Sullivan, Mo.

[73] Assignee: **Ace Manufacturing and Parts Co.**,
Sullivan, Mo.

[**] Term: **14 Years**

[21] Appl. No.: **37,833**

[22] Filed: **Apr. 20, 1995**

Related U.S. Application Data

[63] Continuation of Ser. No. 21,026, Apr. 7, 1994, abandoned.

[52] U.S. Cl. **D15/5**

[58] Field of Search D15/1-5; 64/27;
192/68, 69, 107, 107 R, 107 C, 70.25,
70.3; 29/182.5

[56] **References Cited**

U.S. PATENT DOCUMENTS

D. 334,197	3/1993	Flotow	D15/5
D. 335,290	5/1993	Flotow	D15/5
1,791,016	2/1931	Sundh .	
2,072,561	3/1937	Kuhns et al.	64/27
2,554,874	5/1951	Oetzel	192/107
2,966,737	1/1961	Spokes et al.	29/182.5
3,276,555	10/1966	Phelps et al.	192/70.3
3,394,788	7/1968	Sink	192/89

3,410,382	11/1968	Root et al.	192/70.3
3,605,967	9/1971	Warren et al.	192/107 R
3,696,902	10/1972	Dantele	192/107 C
3,724,623	4/1973	Thrower et al.	192/107 R
4,131,187	12/1978	Smith et al.	192/70.3
4,565,274	1/1986	Cameron	192/107 R
4,760,906	8/1988	Flotow et al.	192/70.25

OTHER PUBLICATIONS

Dana Corporation, Service Manual, Spicer Angle-Spring Clutches, 1968, pp. 1,5,8, 12-14.

Drawing by Ace Manufacturing & Parts Co., last revision 1993.

Primary Examiner—Ralf Seifert

Attorney, Agent, or Firm—Senniger, Powers, Leavitt & Roedel

[57] **CLAIM**

The ornamental design for a clutch retainer, as shown and described.

DESCRIPTION

FIG. 1 is a perspective view of a clutch retainer showing my new design;

FIG. 2 is a front elevational view thereof;

FIG. 3 is a rear elevational view thereof;

FIG. 4 is a right-side elevational view thereof; and,

FIG. 5 is a left-side elevational view thereof.

1 Claim, 2 Drawing Sheets

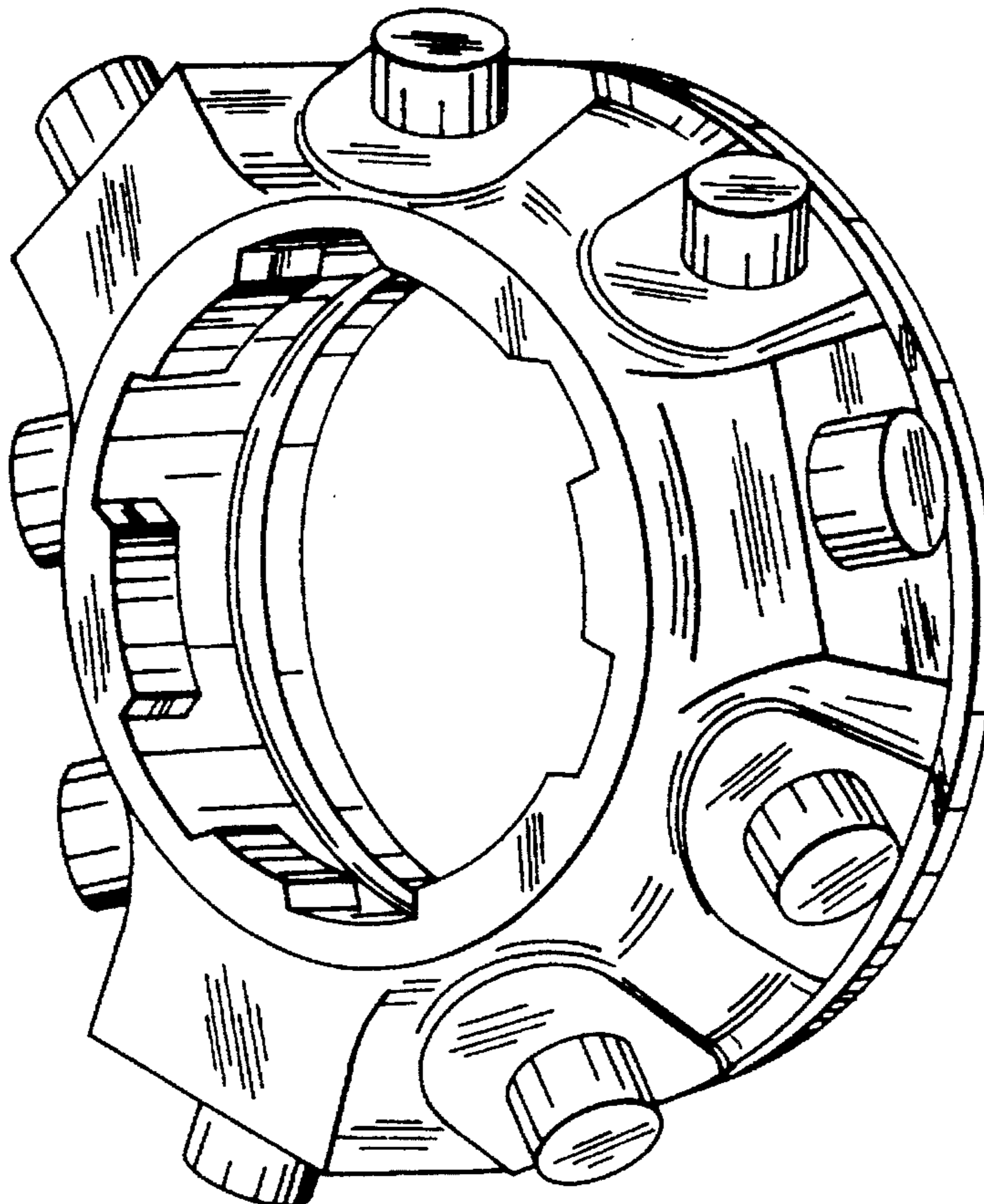
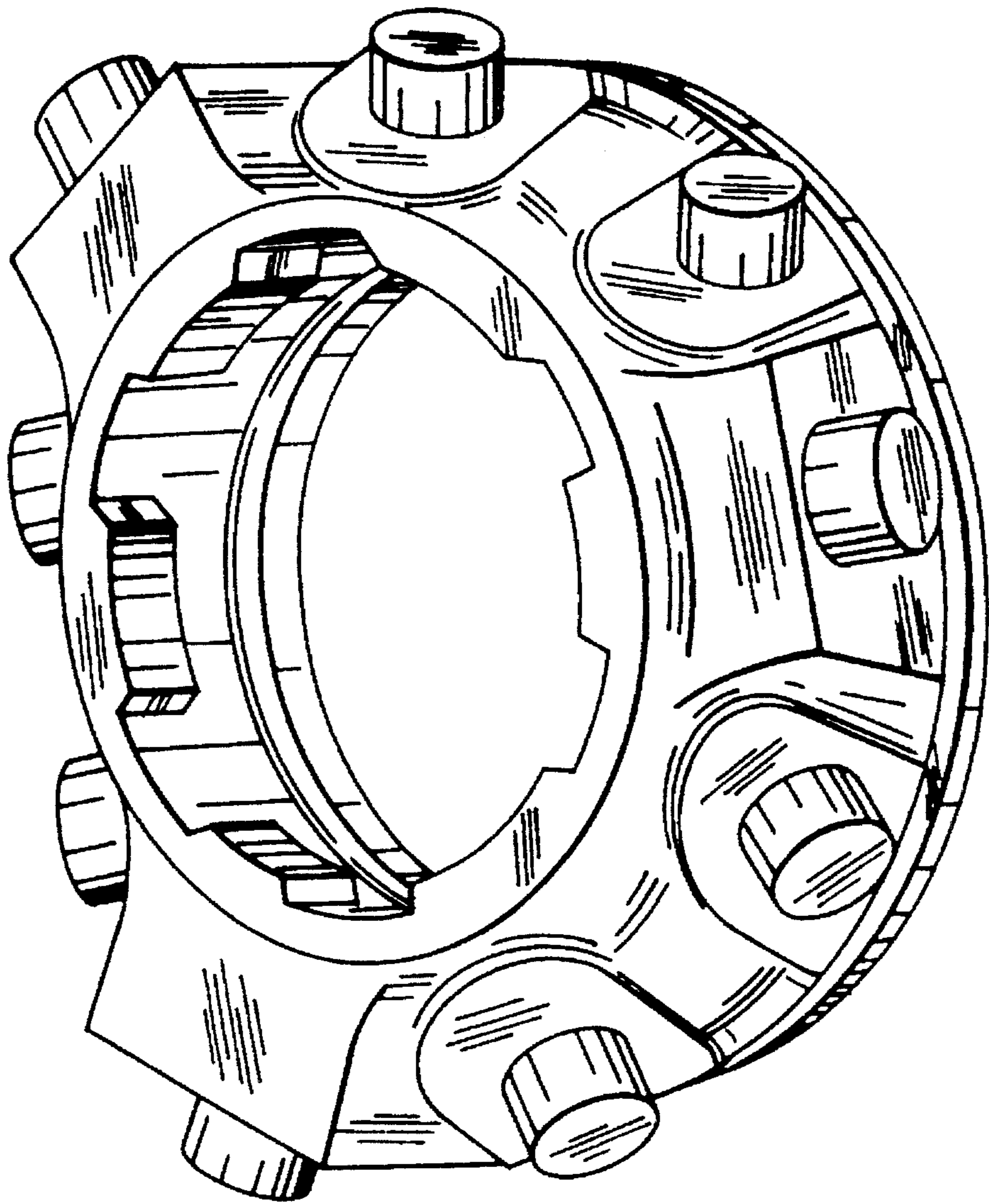


FIG. 1



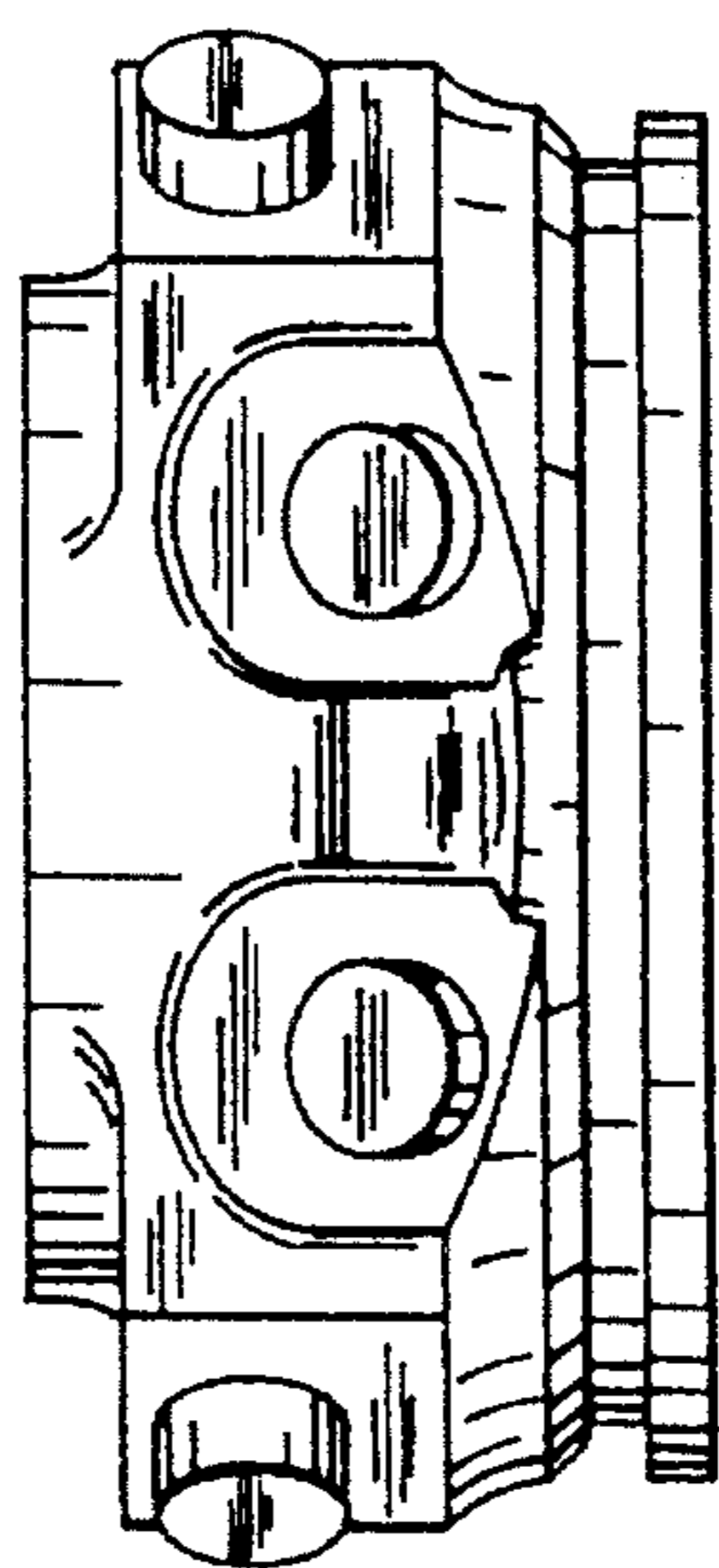


FIG. 4

FIG. 5

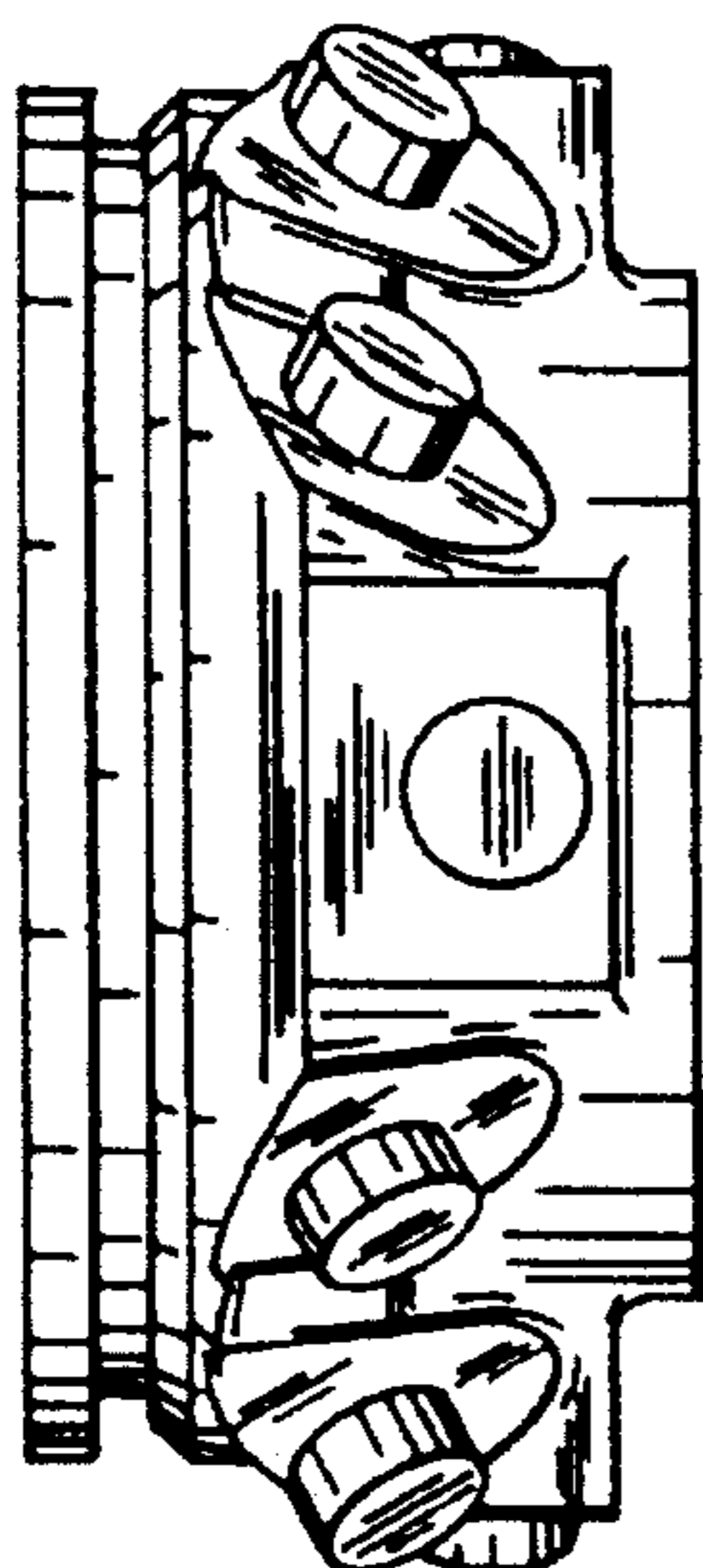


FIG. 2

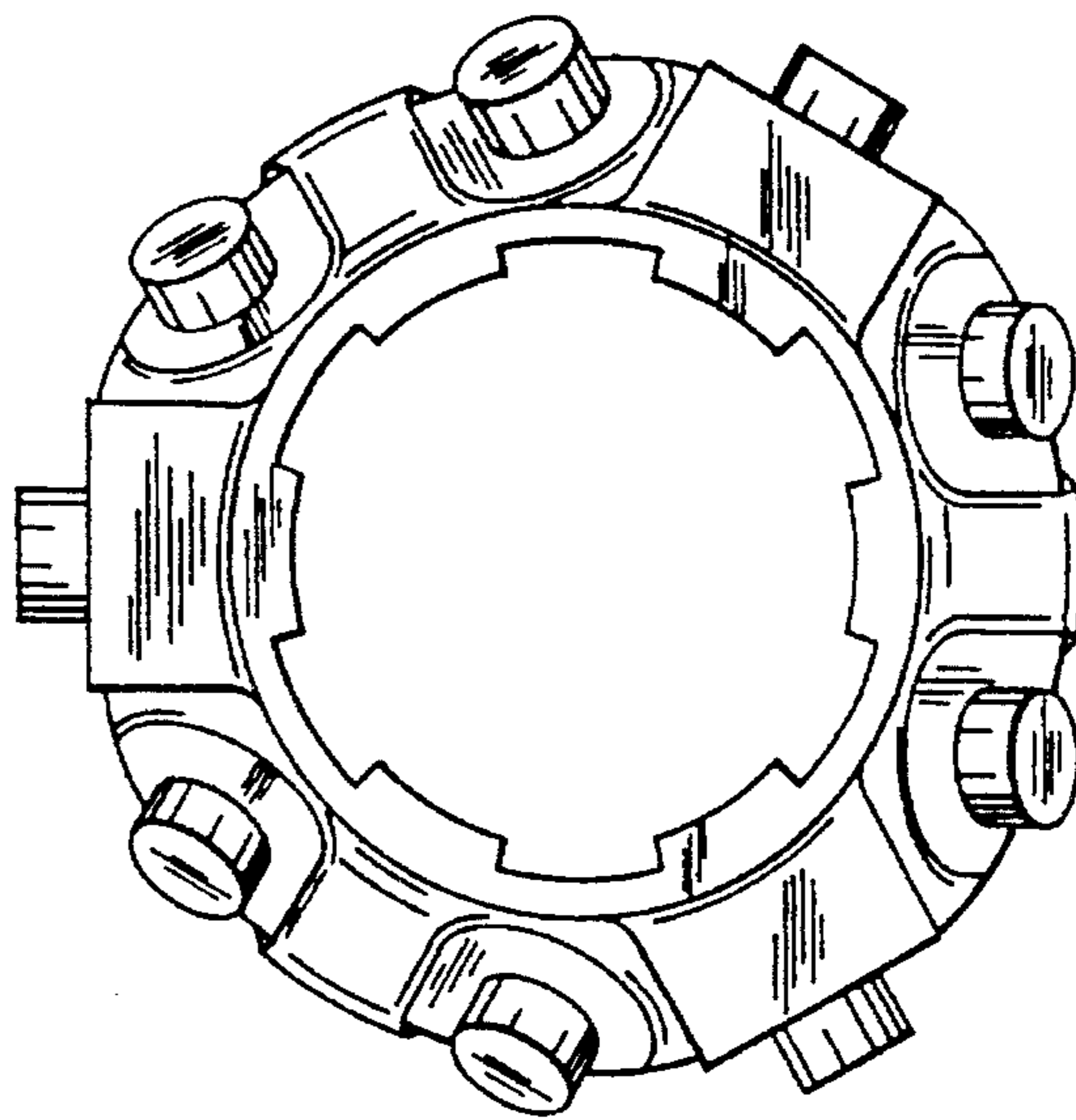


FIG. 3

