



US00D368480S

United States Patent [19]

Thirumalaisamy et al.

[11] Patent Number: **Des. 368,480**

[45] Date of Patent: ****Apr. 2, 1996**

[54] **TURBINE WHEEL**

2,465,671 3/1949 Von Millingen et al. D15/7

[75] Inventors: **Salaiyur N. Thirumalaisamy**, Newton;
Henry B. Faulkner, Dover, both of
Mass.

Primary Examiner—Ralf Seifert
Attorney, Agent, or Firm—Speckman, Pauley & Fejer

[73] Assignee: **Gas Research Institute**, Chicago, Ill.

[57] **CLAIM**

[**] Term: **14 Years**

The ornamental design for a turbine wheel, as shown and described.

[21] Appl. No.: **34,823**

DESCRIPTION

[22] Filed: **Feb. 13, 1995**

[52] U.S. Cl. **D15/5**

FIG. 1 is a front perspective view of a turbine wheel showing our new design;

[58] Field of Search D15/1-5, 7-9.2;
29/23.51

FIG. 2 is a front view of the turbine wheel shown in FIG. 1;
FIG. 3 is a side view of the turbine wheel shown in FIG. 1;
and,

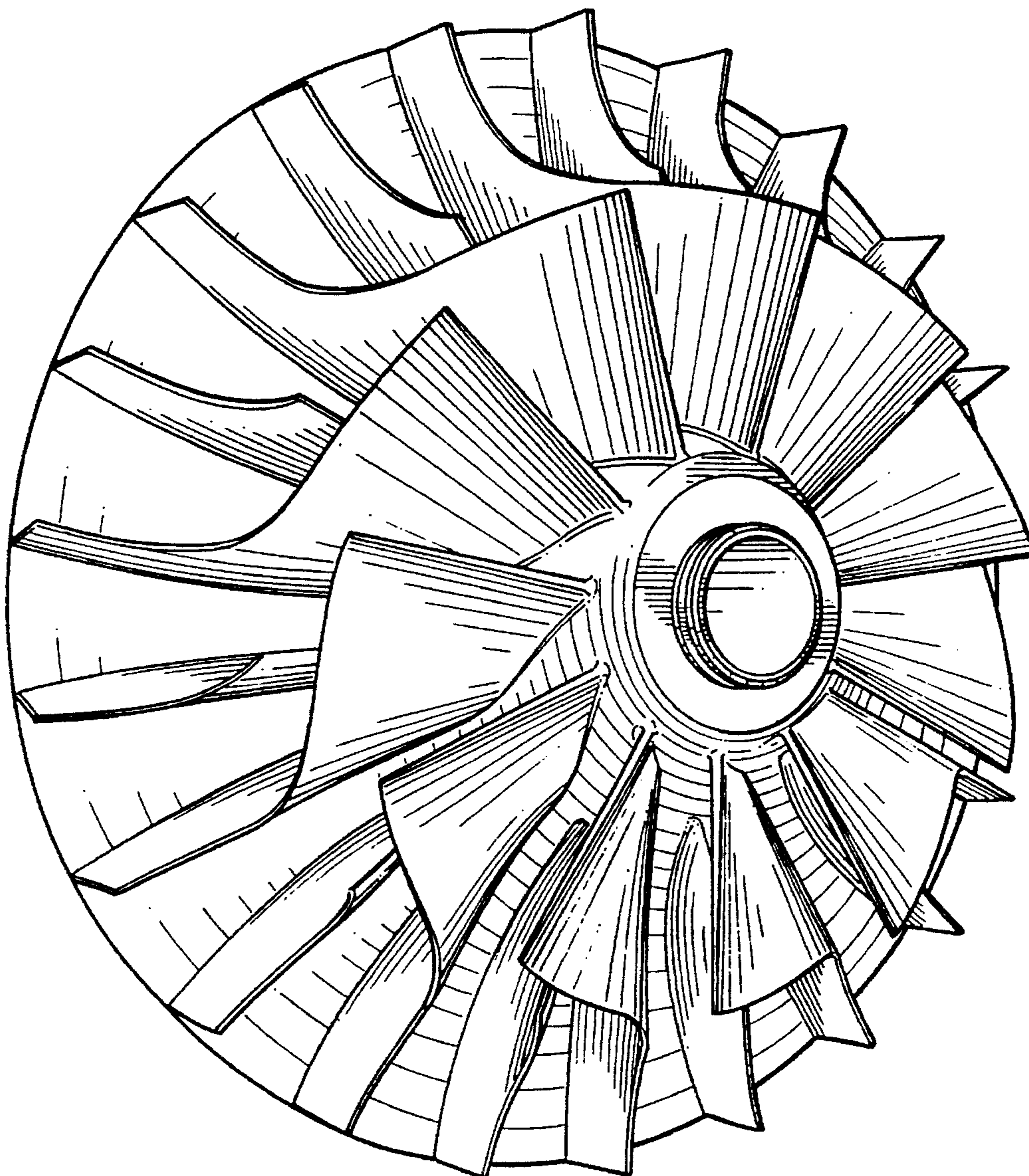
[56] **References Cited**

FIG. 4 is a rear view of the turbine wheel shown in FIG. 1.

U.S. PATENT DOCUMENTS

10,381 12/1877 Neally D15/5

1 Claim, 4 Drawing Sheets



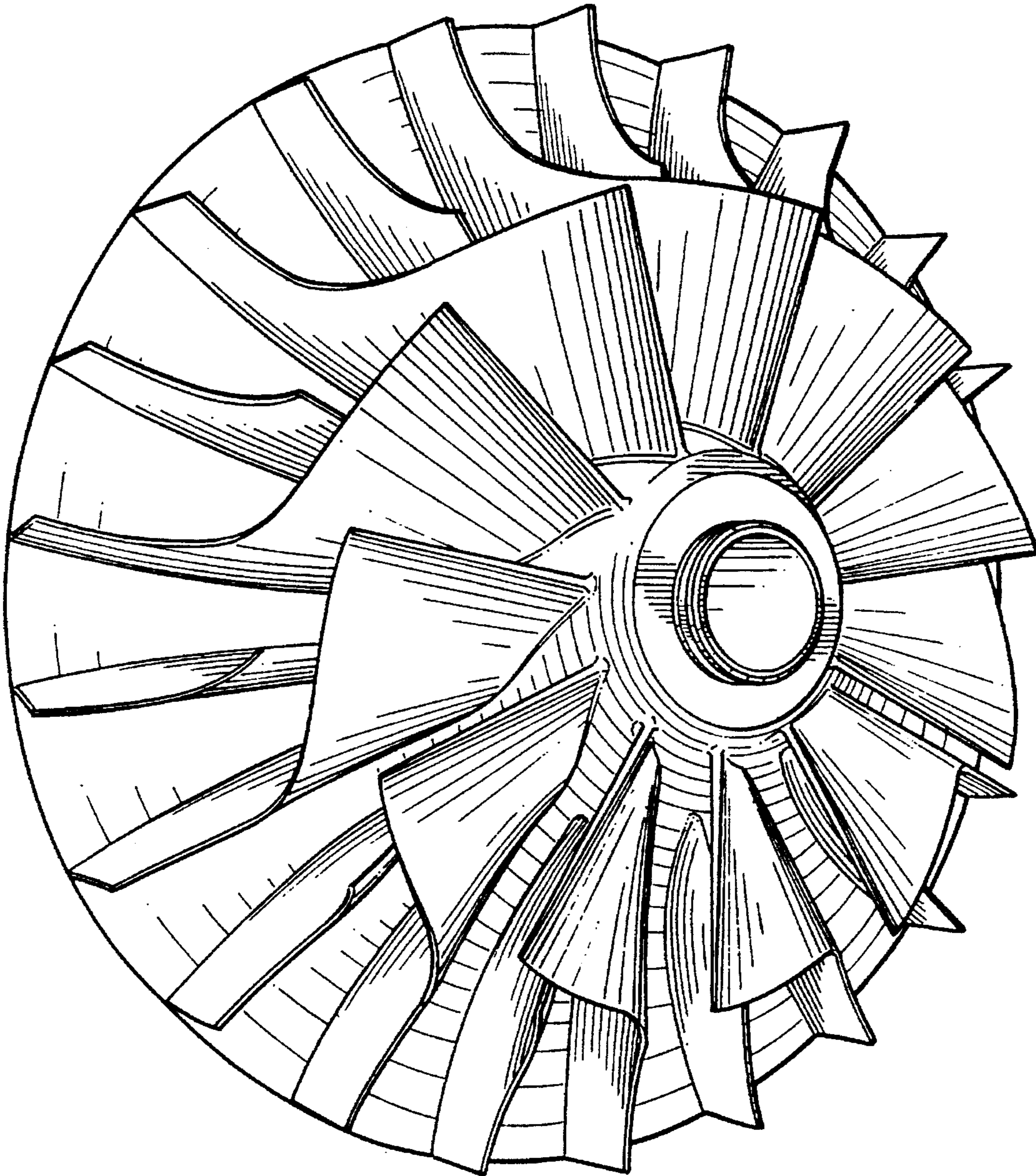


FIG. 1

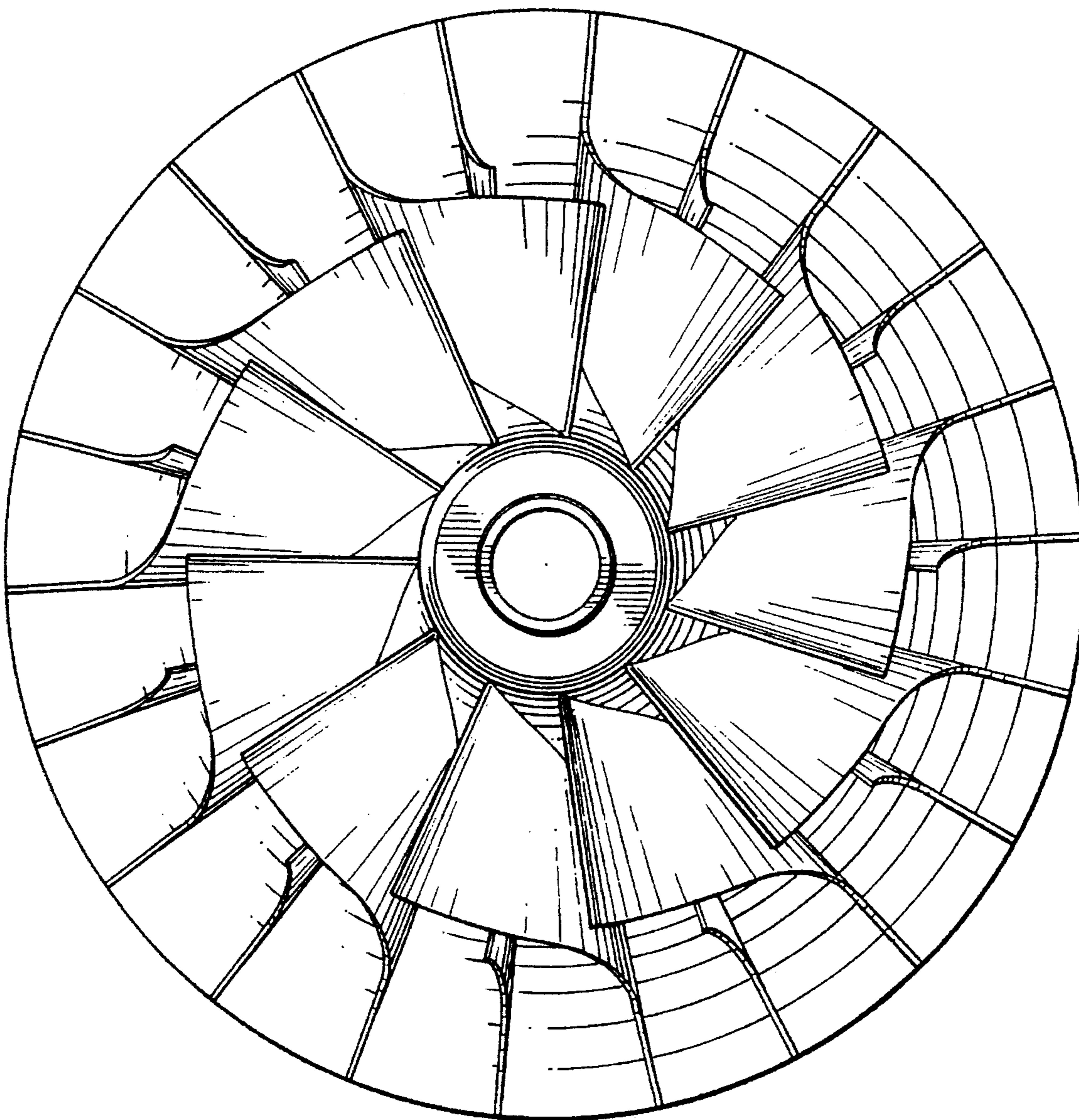


FIG. 2

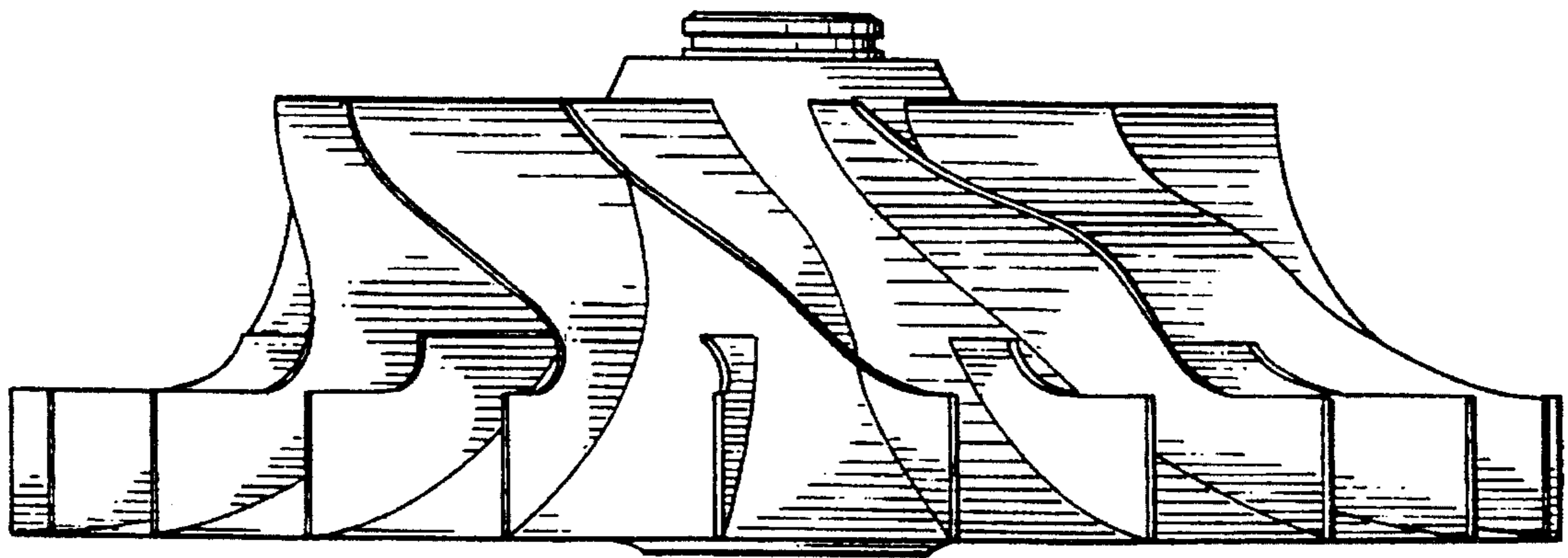


FIG. 3



FIG. 4