



US00D368479S

United States Patent [19]

Larson

[11] Patent Number: **Des. 368,479**

[45] Date of Patent: ****Apr. 2, 1996**

[54] **CATCHER HOUSING FOR A TELEPHONE**

[75] Inventor: **Kenneth W. Larson, Elmhurst, Ill.**

[73] Assignee: **Motorola, Inc., Schaumburg, Ill.**

[**] Term: **14 Years**

[21] Appl. No.: **35,292**

[22] Filed: **Feb. 24, 1995**

[52] U.S. Cl. **D14/253; D14/149**

[58] Field of Search **D14/251, 253, D14/149-151, 100, 114, 107, 142, 140, 240; D13/107, 108; 379/454, 455, 419, 420, 428, 440; 320/2, 3, 5**

[56] **References Cited**

U.S. PATENT DOCUMENTS

D. 215,303	9/1969	Carpenter	D13/108
D. 261,509	10/1981	Cobb	D14/253
D. 284,958	8/1986	Tsuji	D13/108
D. 292,912	11/1987	Muller et al.	D13/108
D. 313,221	12/1990	Skully et al.	D13/108
D. 314,173	1/1991	Soren et al.	D13/108

D. 315,161	3/1991	Watanabe	D14/253
D. 315,330	3/1991	Soren et al.	D13/107
D. 345,977	4/1994	Nagele	D14/149
D. 346,786	5/1994	Nagele et al.	D14/149 X
D. 346,798	5/1994	Nagele	D14/149
D. 352,711	11/1994	Solomita et al.	D14/149
D. 353,131	12/1994	Nagele	D13/107
D. 354,961	1/1995	Richards et al.	D14/253

Primary Examiner—Jeffrey Asch
Attorney, Agent, or Firm—Donald C. Kordich

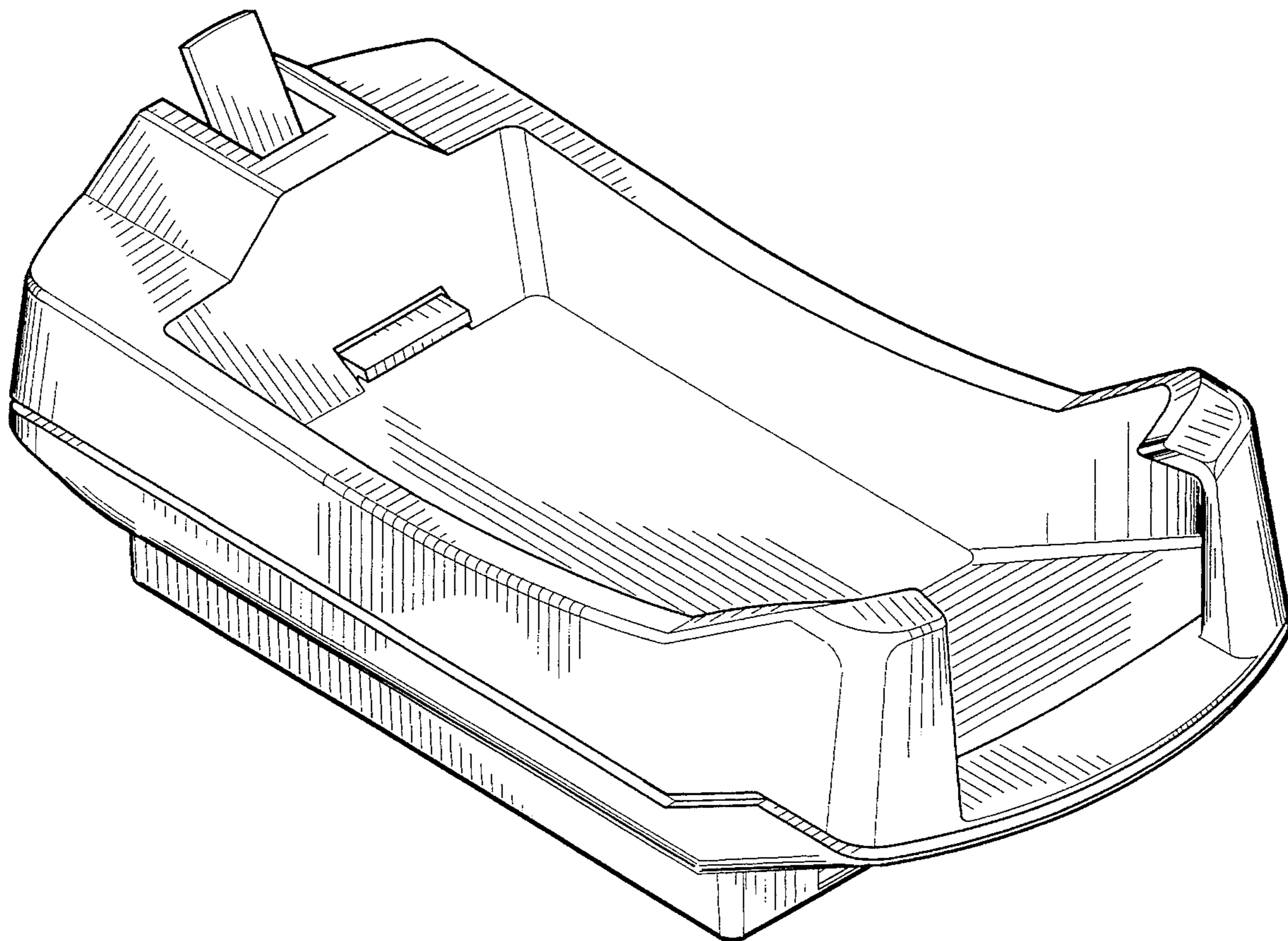
[57] CLAIM

The ornamental design for a catcher housing for a telephone, as shown and described.

DESCRIPTION

FIG. 1 is a top, left, front, perspective view of a telephone handset;
FIG. 2 is a bottom plan view thereof;
FIG. 3 is a right elevation view thereof;
FIG. 4 is a top plan view thereof;
FIG. 5 is a rear elevation view thereof; and,
FIG. 6 is a front elevation view thereof.

1 Claim, 3 Drawing Sheets



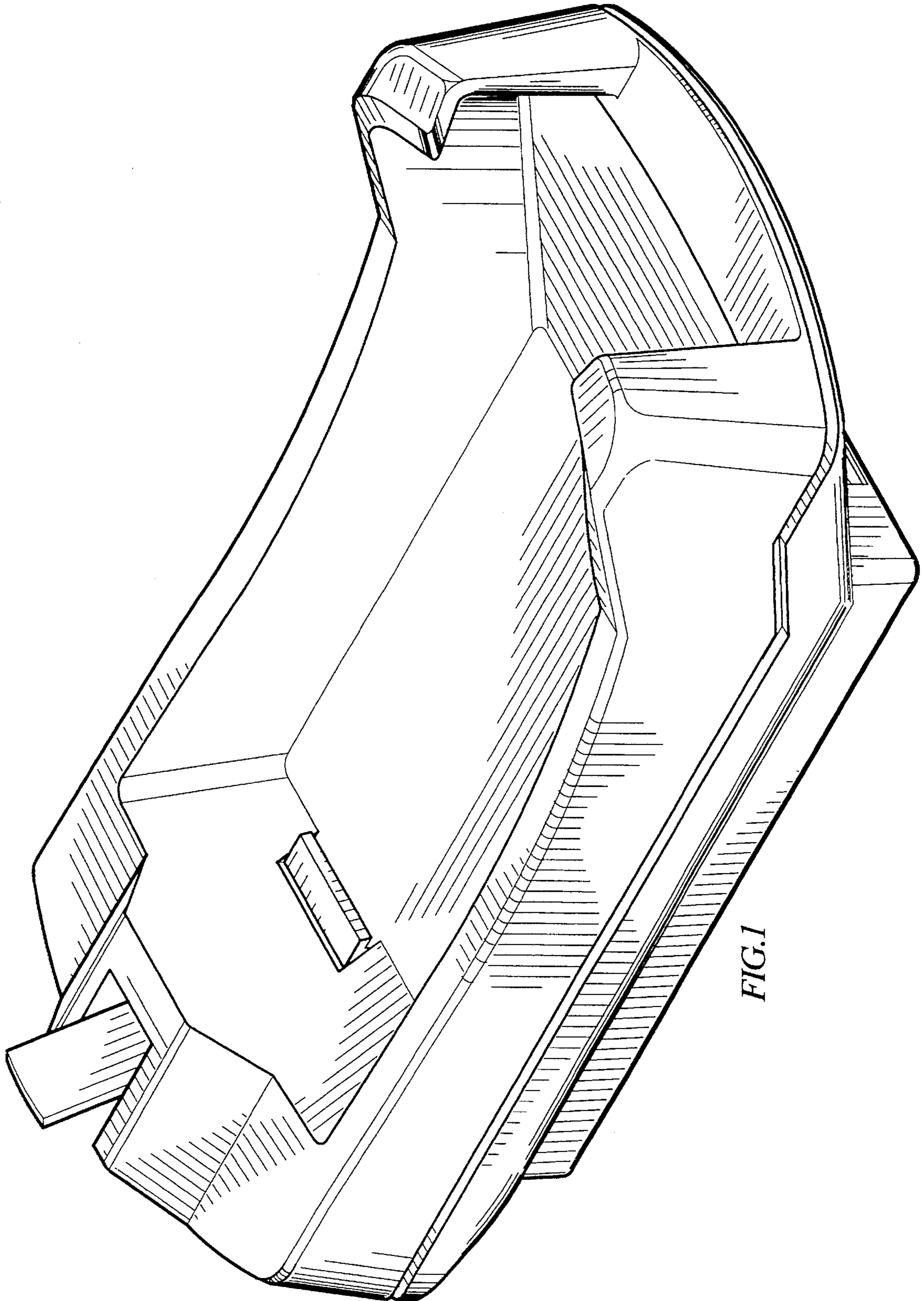


FIG. 1

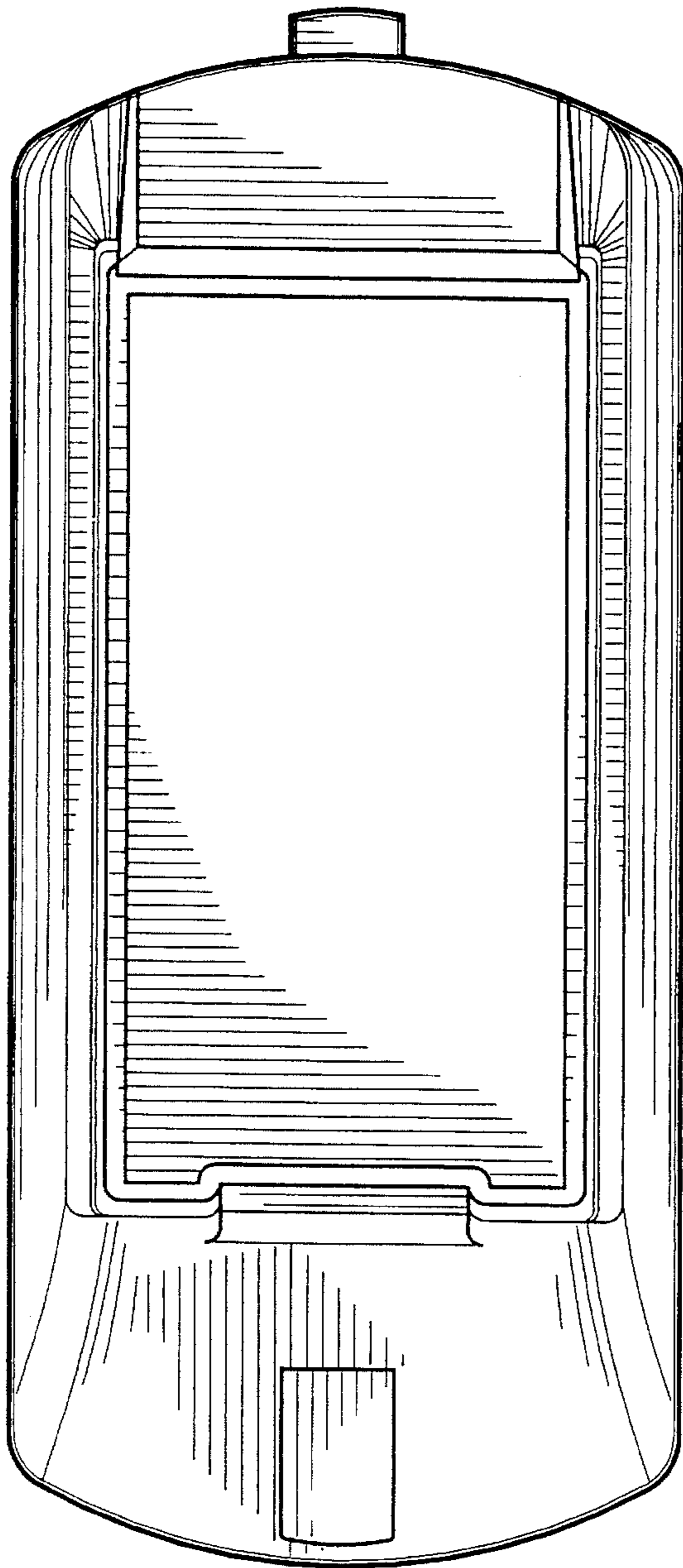


FIG. 2

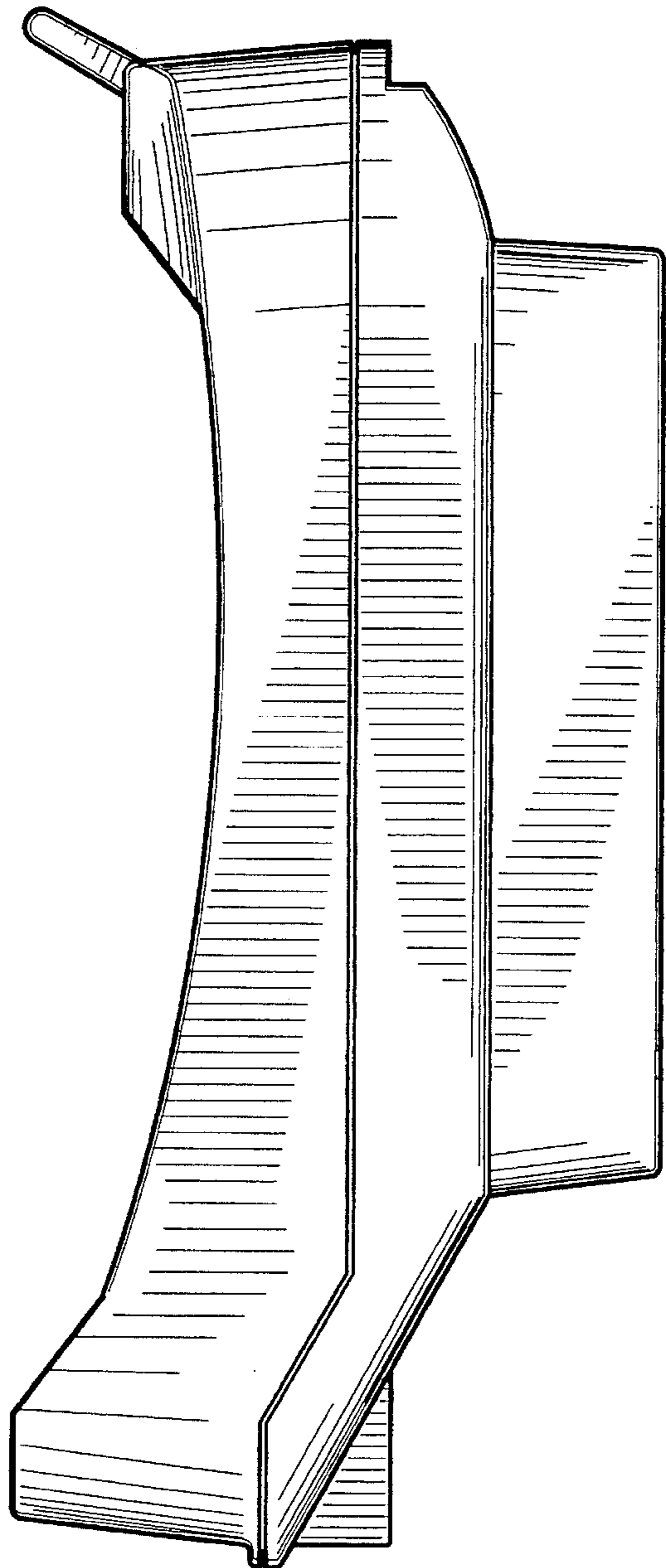


FIG. 3

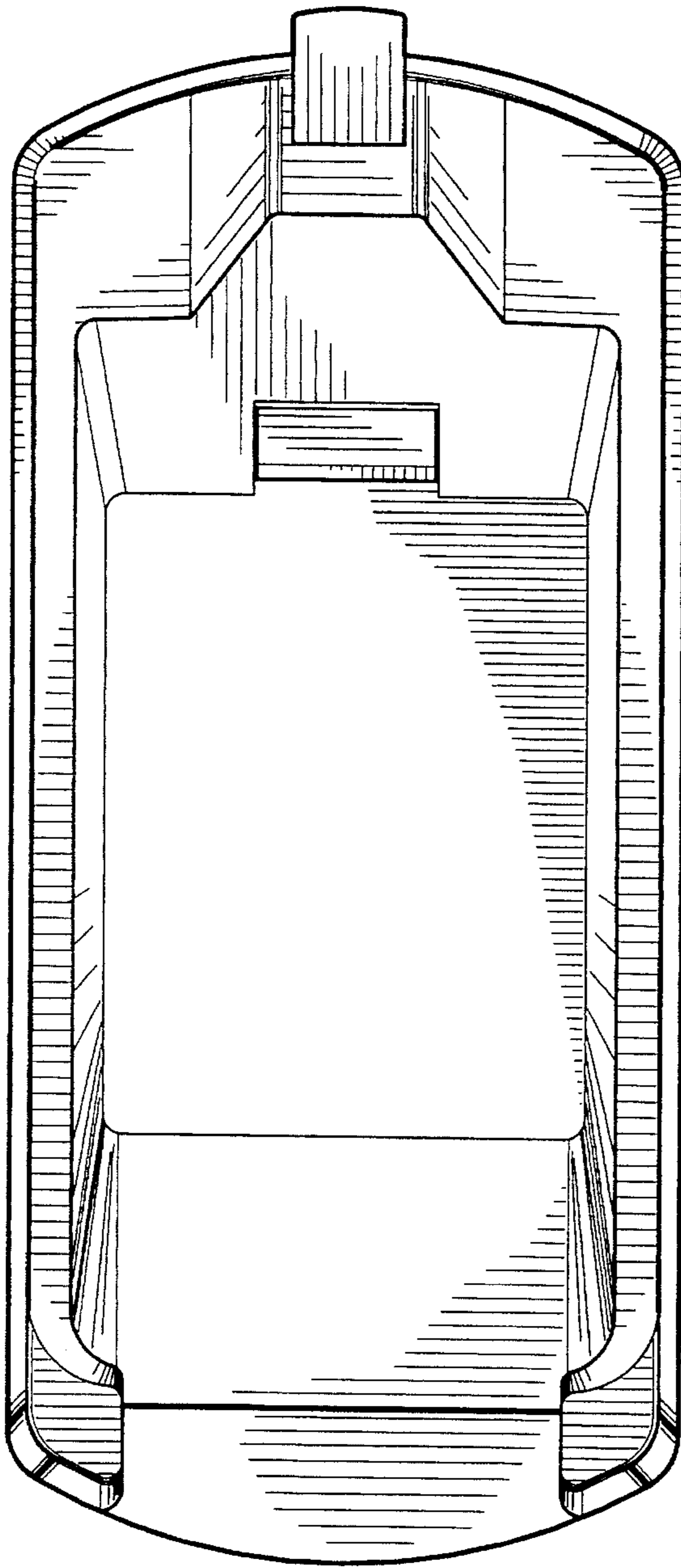


FIG.4

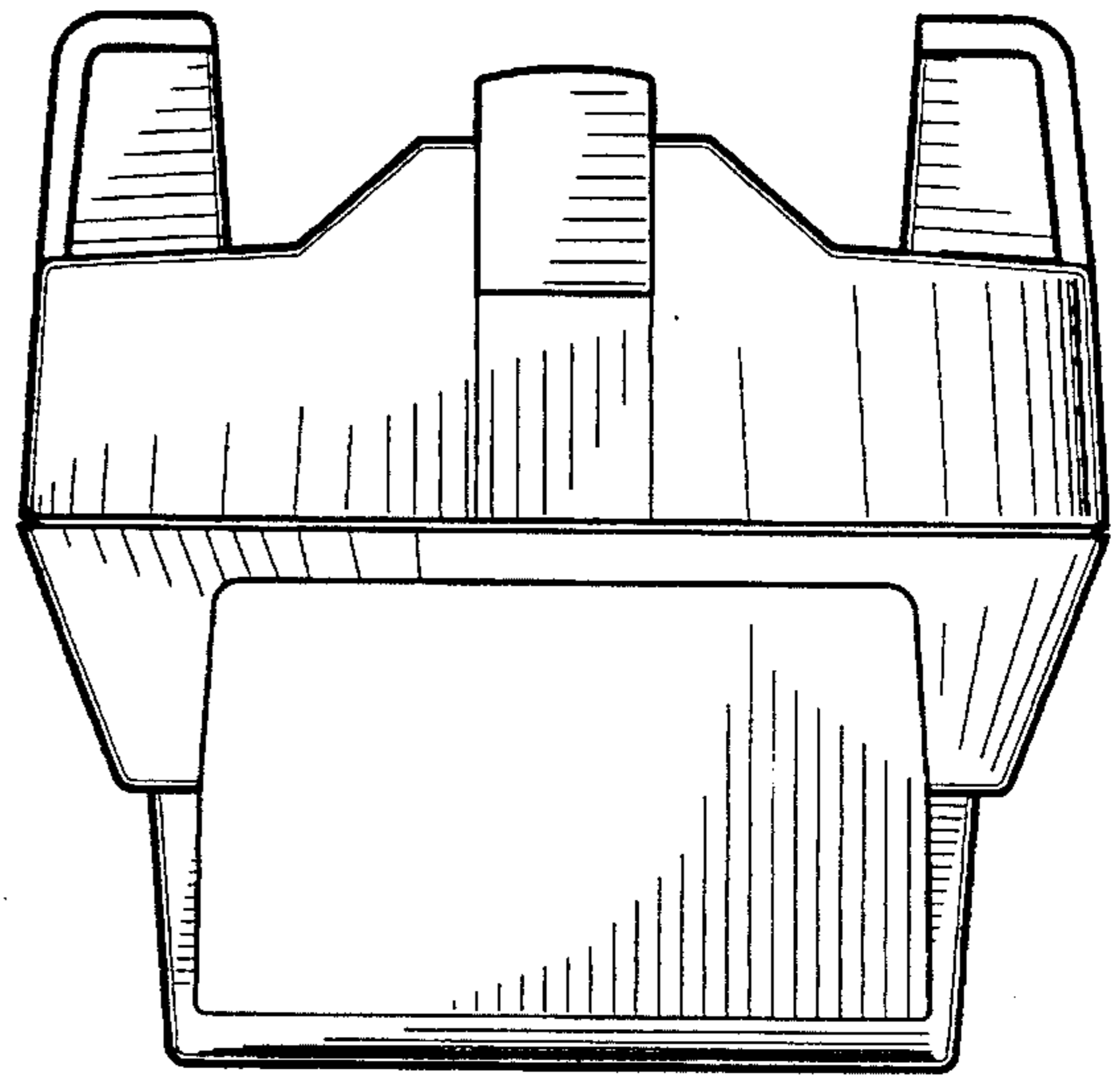


FIG.5

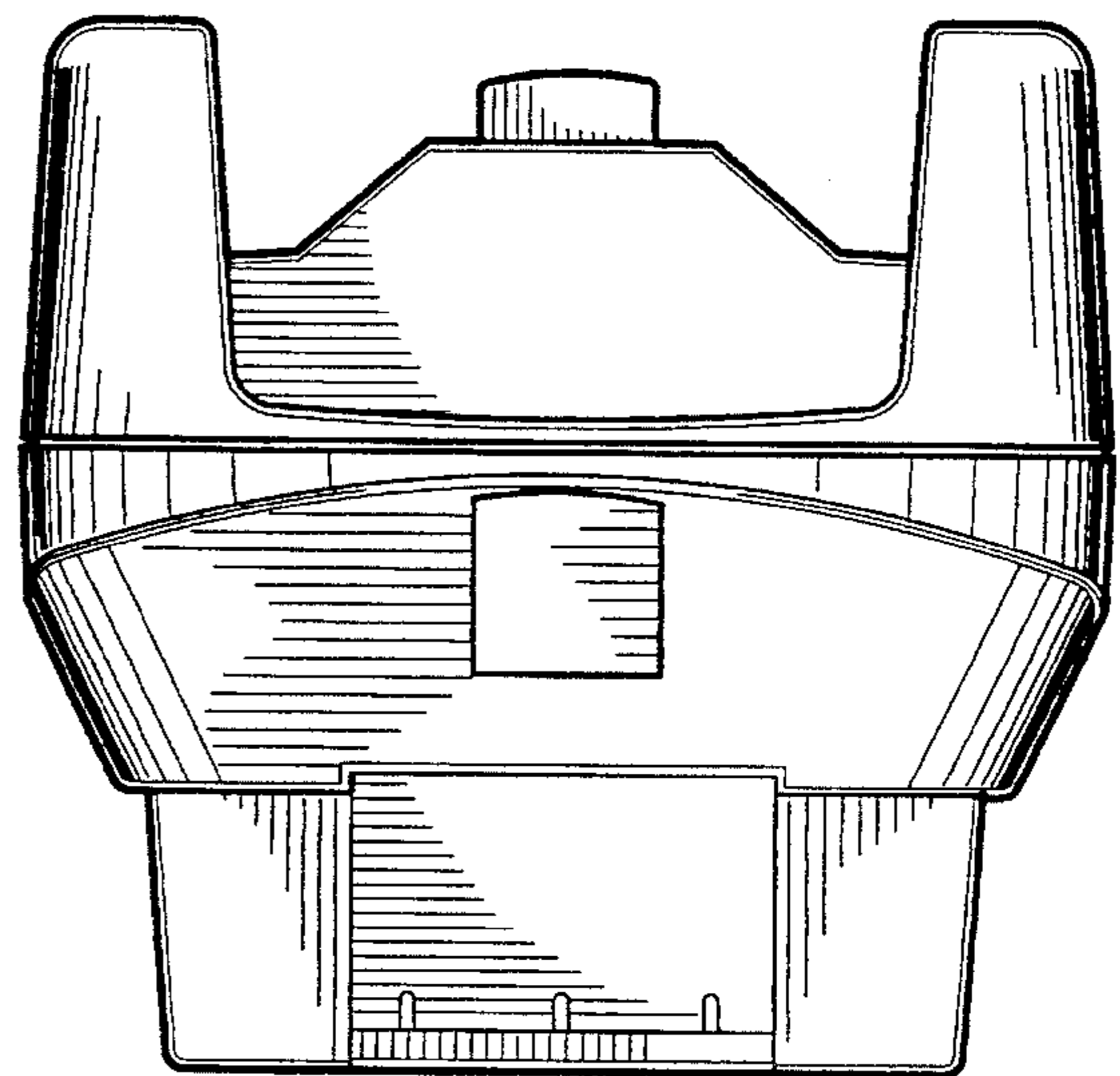


FIG.6