



US00D368477S

# United States Patent [19]

Curtis et al.

[11] Patent Number: **Des. 368,477**

[45] Date of Patent: **\*\*Apr. 2, 1996**

[54] **FRONT PANEL FOR CELLULAR BASE UNIT EQUIPMENT**

[75] Inventors: **Vera Curtis**, Elmwood Park; **Anthony Ryan**, Hanover Park, both of Ill.

[73] Assignee: **Motorola, Inc.**, Schaumburg, Ill.

[\*\*] Term: **14 Years**

[21] Appl. No.: **38,037**

[22] Filed: **Apr. 26, 1995**

[52] U.S. Cl. .... **D14/240; D14/257**

[58] **Field of Search** ..... D14/140, 240, D14/142, 257; 379/440, 441, 442, 58-61; 455/89-90; 174/50, 52.1, 53, 66; D13/177, 184, 162, 164; 361/641, 724, 686, 814

[56] **References Cited**

**U.S. PATENT DOCUMENTS**

D. 280,742 9/1985 Johnson ..... D20/9

D. 287,005 12/1986 Newton ..... D13/162  
D. 305,122 12/1989 Swartz ..... D14/257  
D. 360,419 7/1995 Weber et al. .... D14/257 X  
5,381,469 1/1995 Zausner ..... 379/440 X

*Primary Examiner*—Jeffrey Asch  
*Attorney, Agent, or Firm*—Kevin A. Buford

[57] **CLAIM**

The ornamental design for a front panel for cellular base unit equipment, as shown and described.

**DESCRIPTION**

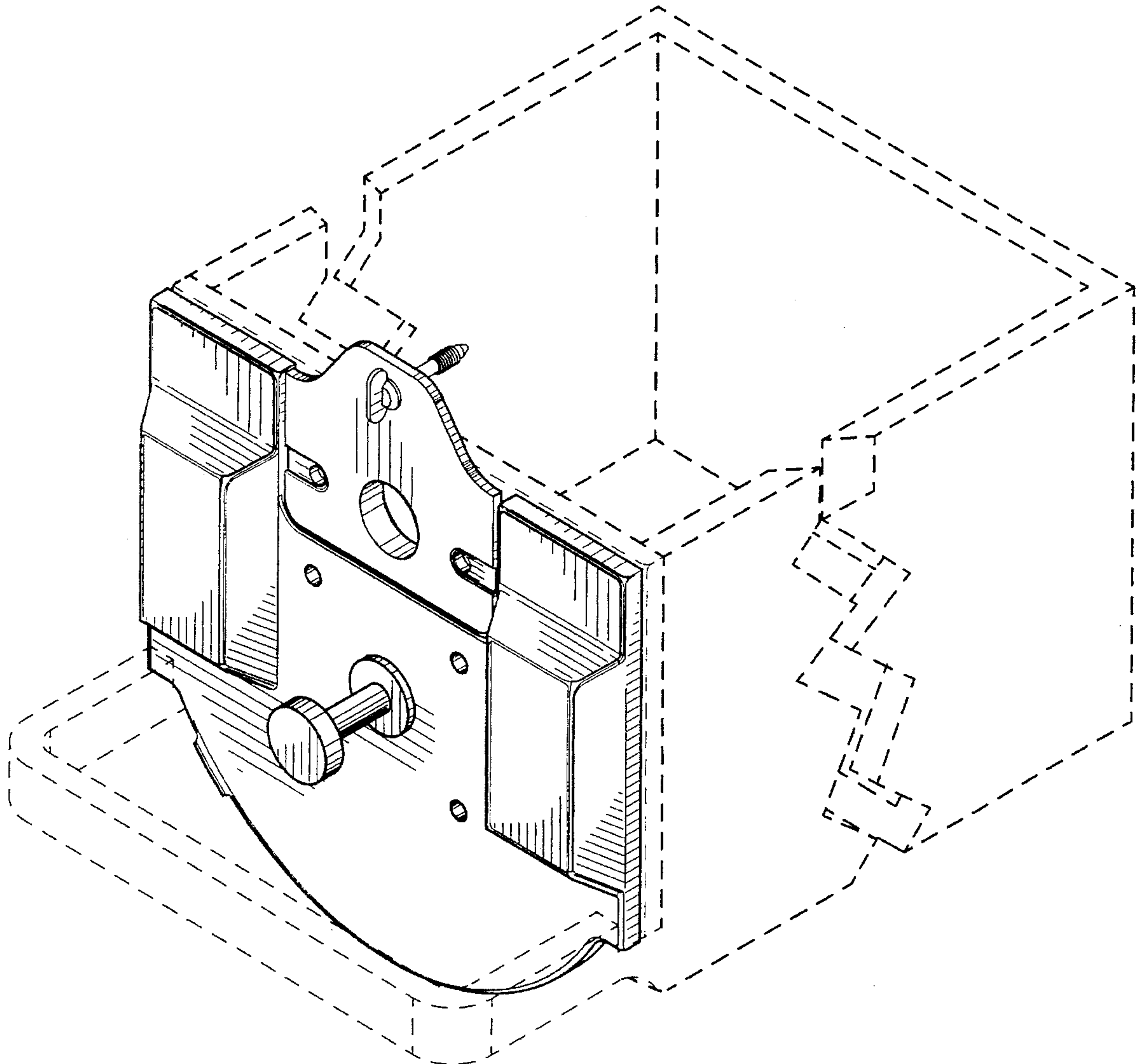
FIG. 1 is a top, right and front perspective view of a front panel for cellular base unit equipment showing the present invention;

FIG. 2 is a left side elevational view thereof;

FIG. 3 is a rear elevational view thereof;

FIG. 4 is a bottom plan view thereof; and,

**1 Claim, 2 Drawing Sheets**



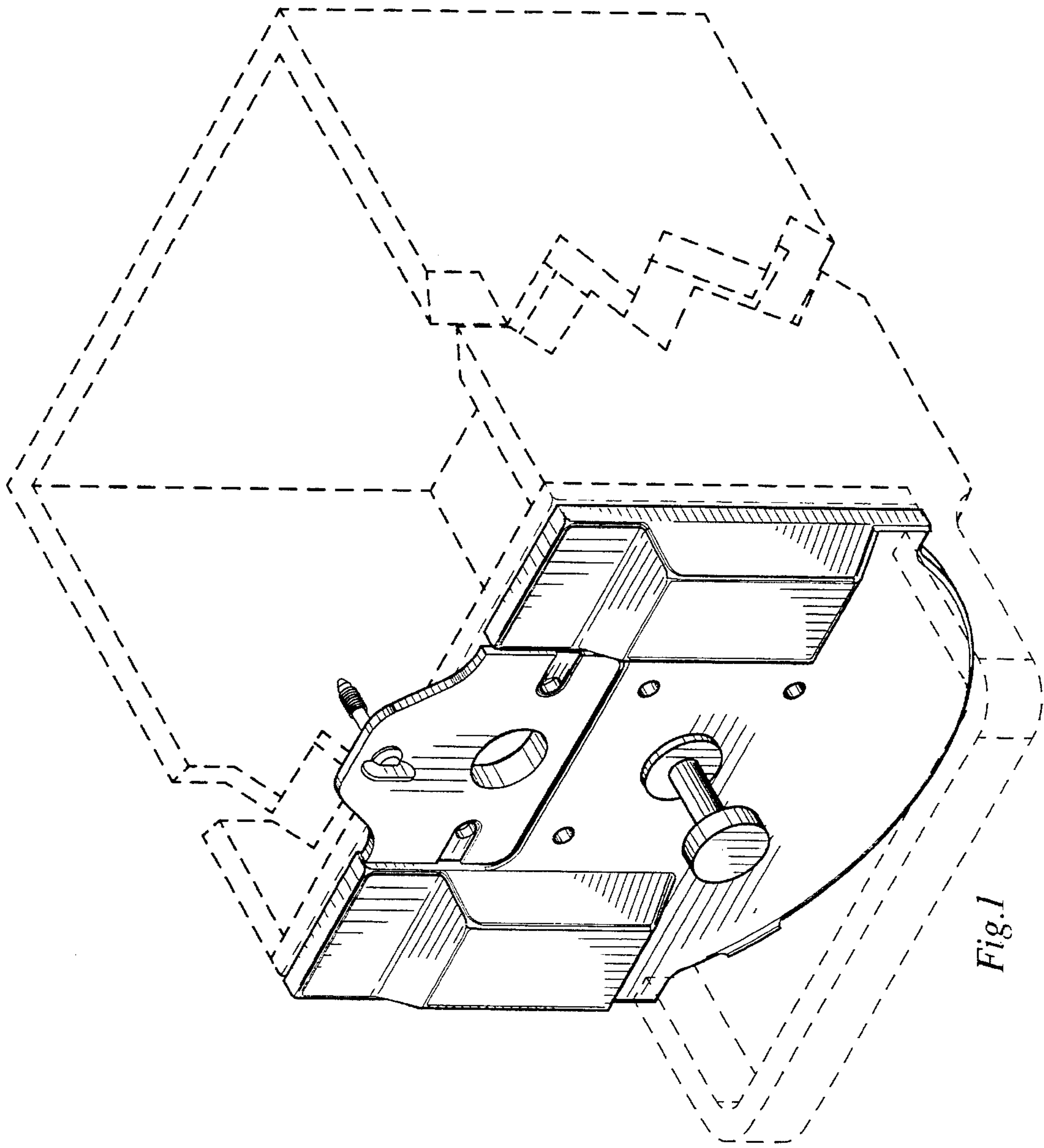
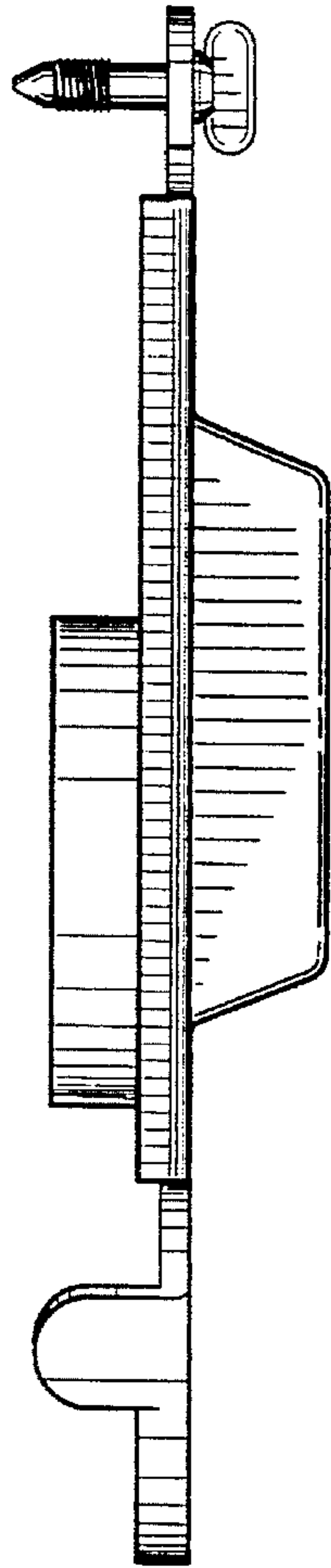
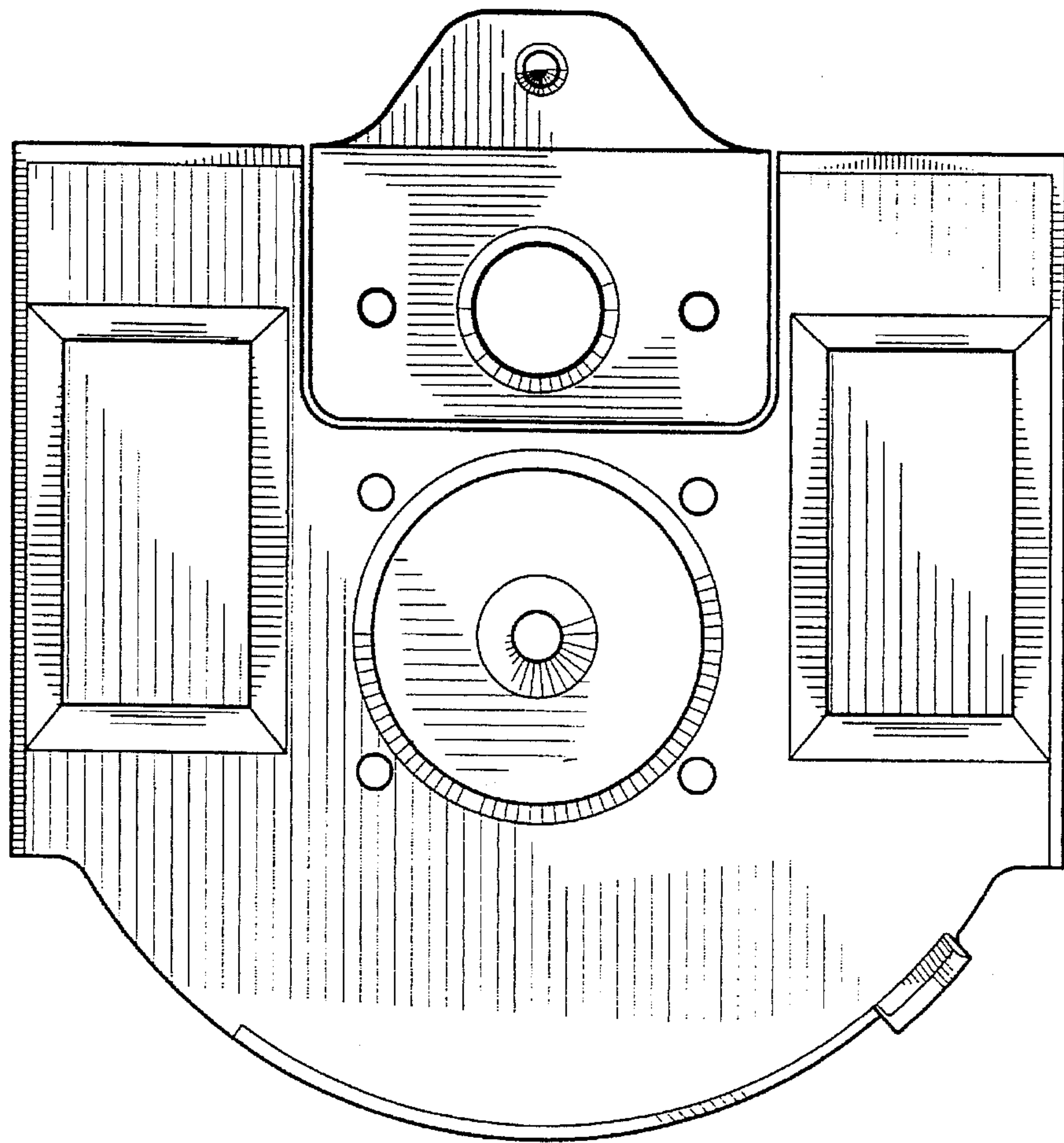


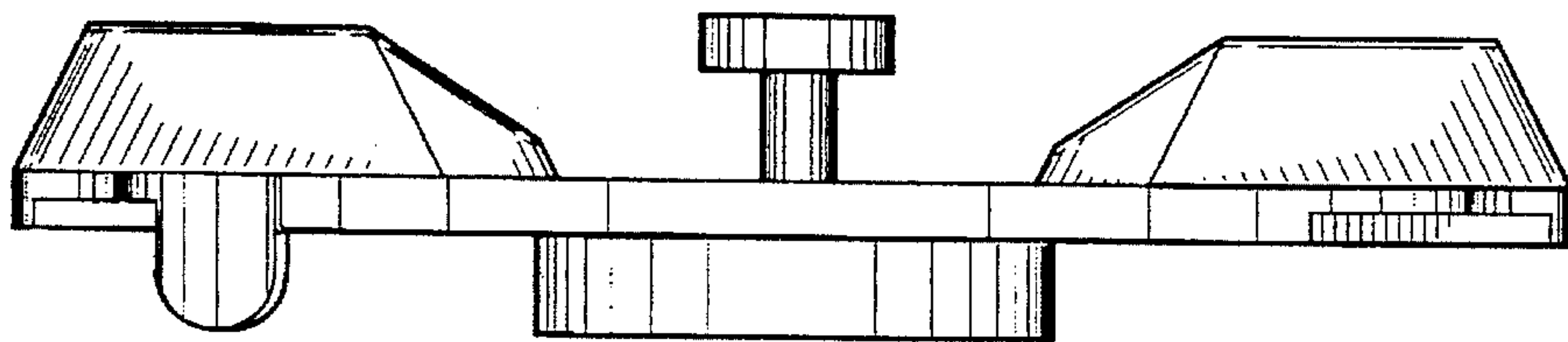
Fig. 1



*Fig.2*



*Fig.3*



*Fig.4*