



US00D368472S

United States Patent [19]

Robertson et al.

[11] Patent Number: **Des. 368,472**

[45] Date of Patent: ****Apr. 2, 1996**

[54] **MOBILE RADIO HOUSING**

D. 334,744 4/1993 Tokiyama et al. .

[75] Inventors: **William H. Robertson**, Plantation;
Masaru Tokiyama, Coral Springs, both
of Fla.

OTHER PUBLICATIONS

Midland Syn-Tech Today, Copyright 1986, cover page,
two-way FM radio.

[73] Assignee: **Motorola, Inc.**, Schaumburg, Ill.

Primary Examiner—Prabhakar G. Deshmukh
Assistant Examiner—Nanda Bondade
Attorney, Agent, or Firm—Barbara R. Doutre

[**] Term: **14 Years**

[21] Appl. No.: **17,959**

[57] CLAIM

[22] Filed: **Jan. 27, 1994**

The ornamental design for a mobile radio housing, as shown
and described.

[52] U.S. Cl. **D14/137**

[58] Field of Search D14/124, 137,
D14/138, 155, 157, 159, 257, 258, 299;
455/73, 89, 90, 92, 100, 128, 345, 346

DESCRIPTION

[56] References Cited

U.S. PATENT DOCUMENTS

- D. 253,281 10/1979 Kim D13/184 X
- D. 259,787 7/1981 Nagele .
- D. 277,667 2/1985 Zurawski .
- D. 298,133 10/1988 Tokiyama et al. .
- D. 300,632 4/1989 Culbertson D14/137
- D. 307,906 5/1990 Beaumont .
- D. 308,057 5/1990 Tokiyama .
- D. 329,849 9/1992 Tokiyama et al. .

FIG. 1 is a top plan view of a mobile radio housing showing
our new design;
FIG. 2 is a right side elevational view thereof the left side
view being a mirror image;
FIG. 3 is a bottom plan view thereof;
FIG. 4 is a rear elevational view thereof; and,
FIG. 5 is an isometric view thereof.
The broken line showing of the mobile radio control head
portion in FIGS. 1-3 and 5 is for illustrative purposes only
and forms no part of the claimed design.

1 Claim, 3 Drawing Sheets

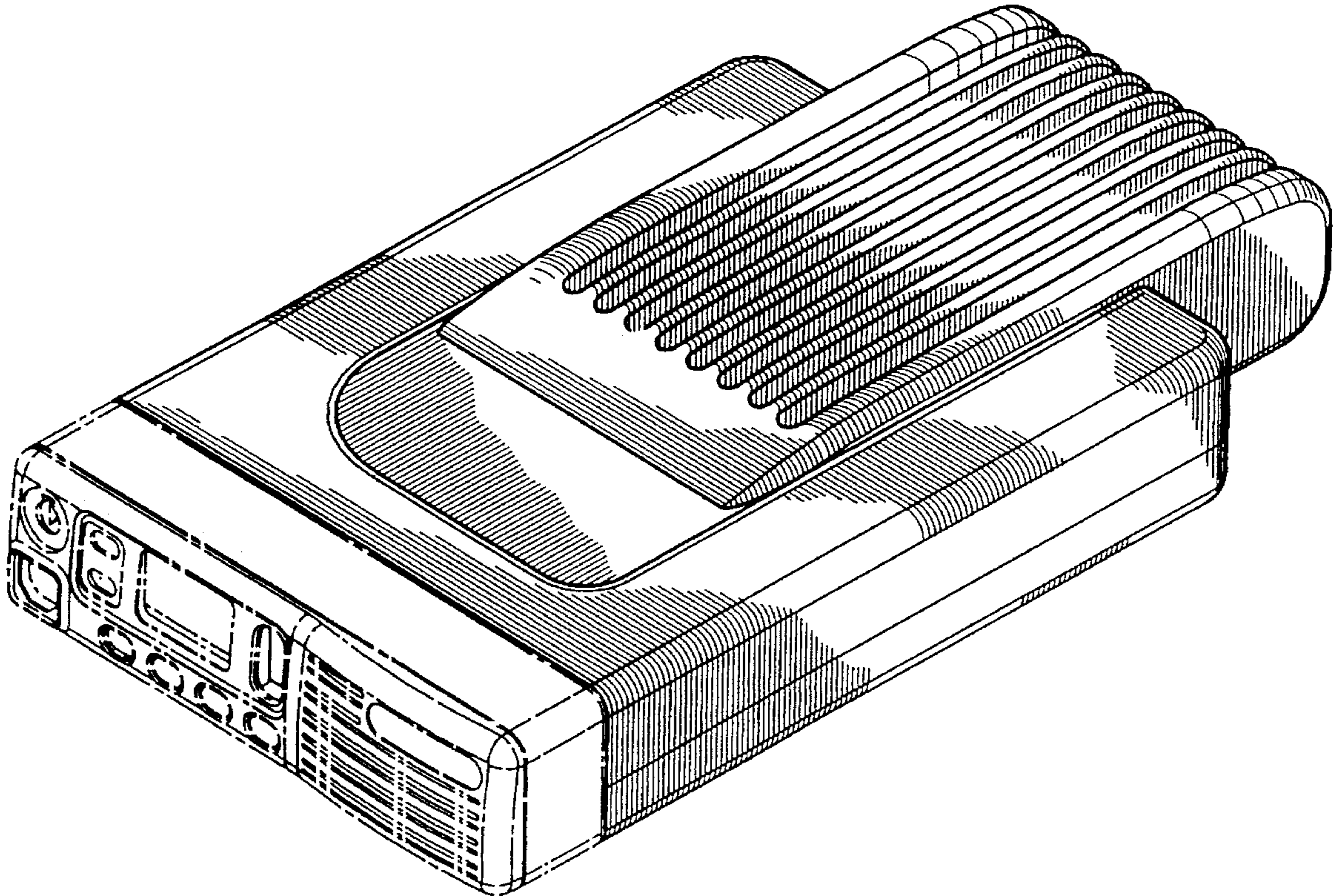


FIG. 1

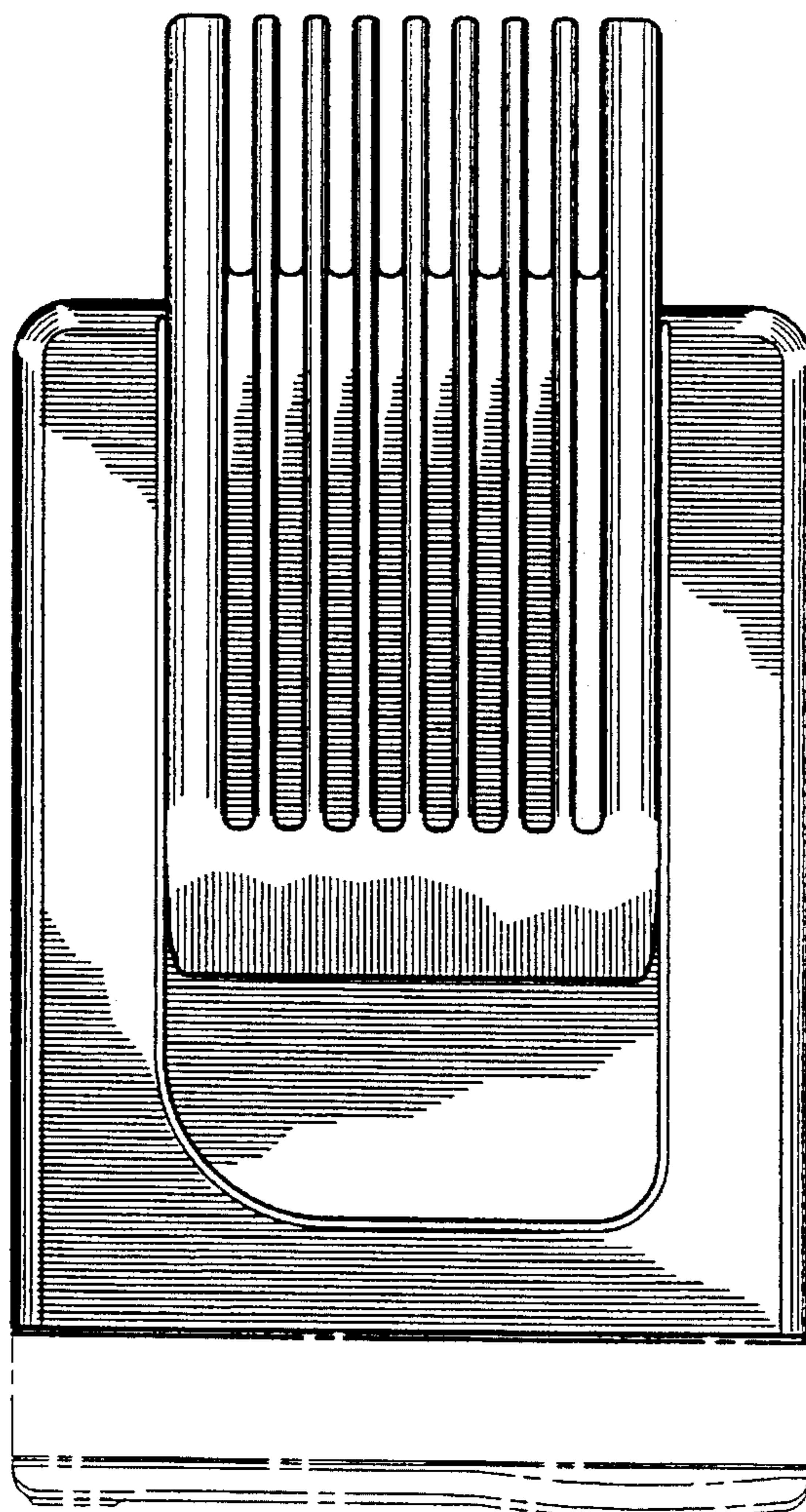
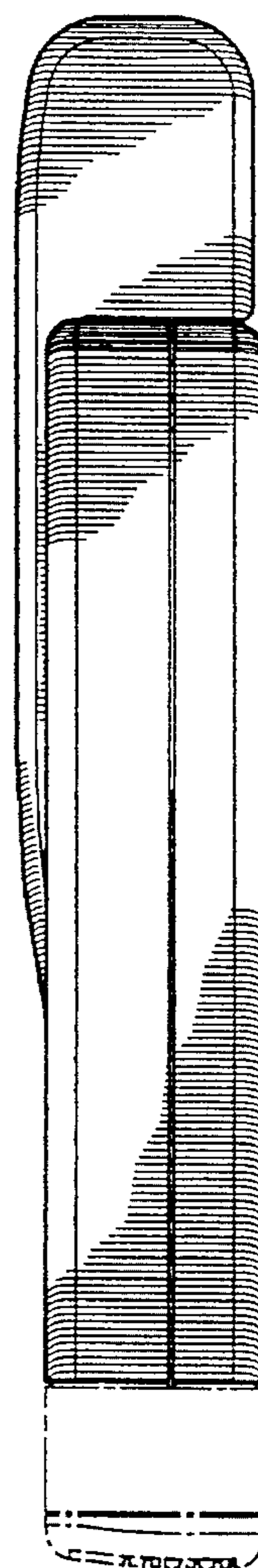


FIG. 2



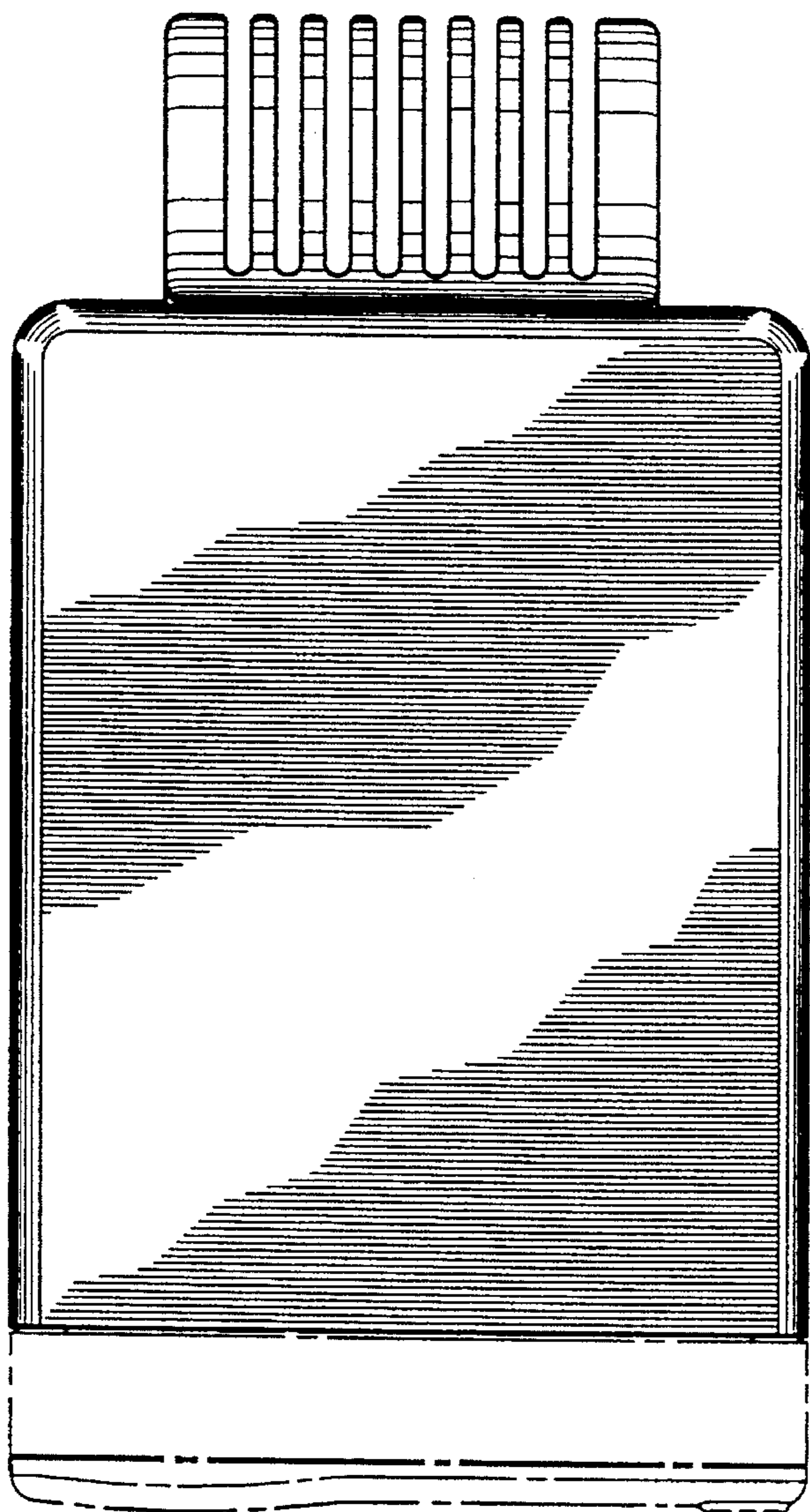


FIG. 3

FIG. 4

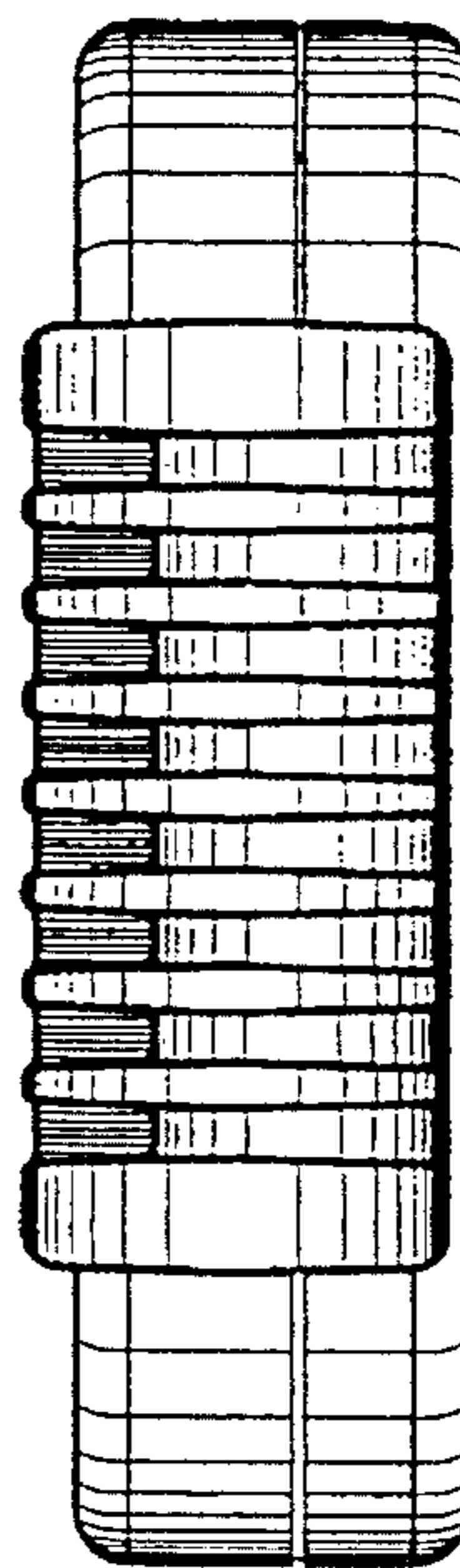
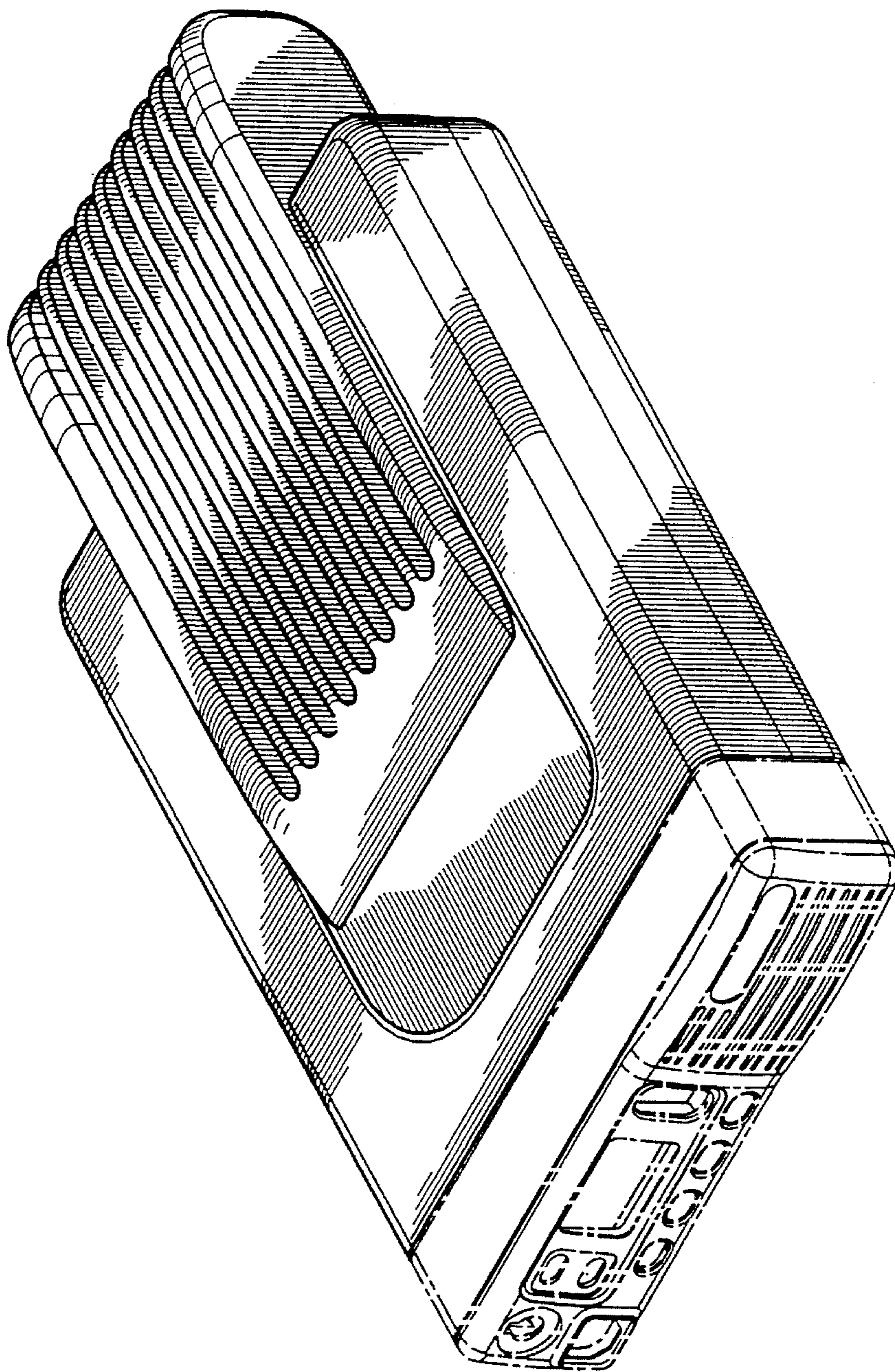


FIG. 5



UNITED STATES PATENT AND TRADEMARK OFFICE
CERTIFICATE OF CORRECTION

PATENT NO. **Des. 368,472**
DATED **April 2, 1996**
INVENTOR(S) **Robertson, et al.**

It is certified that error appears in the above-identified patent and that said Letters Patent is hereby corrected as shown below:

On the title page, item [22]: correct filing date of the application should read --January 27, 1994--.

Signed and Sealed this
Sixteenth Day of July, 1996



BRUCE LEHMAN

Commissioner of Patents and Trademarks

Attest:

Attesting Officer