



US00D368470S

# United States Patent [19] Kondo

[11] **Patent Number: Des. 368,470**  
[45] **Date of Patent: \*\*Apr. 2, 1996**

[54] **ELECTRONIC COMPUTER**

[75] Inventor: **Osamu Kondo**, Tokyo, Japan  
[73] Assignee: **Kabushiki Kaisha Toshiba**, Kanagawa, Japan  
[\*\*] Term: **14 Years**  
[21] Appl. No.: **17,406**  
[22] Filed: **Jan. 12, 1994**

[30] **Foreign Application Priority Data**

Aug. 11, 1993 [JP] Japan ..... 5-24454  
[52] **U.S. Cl.** ..... **D14/106**  
[58] **Field of Search** ..... D14/100, 101, D14/106, 113, 115, 124-127; D18/1, 7, 11, 12; 235/145 A, 145 R; 341/22, 23; 345/104, 156, 168, 173, 901-905, 87; 361/679-686; 364/708.1, 709.04, 709.12; 400/486, 489

[56] **References Cited**

**U.S. PATENT DOCUMENTS**

D. 224,784 9/1972 Socre et al. .  
D. 280,622 9/1985 Moggridge et al. .  
D. 287,969 1/1987 Kusanagi .  
D. 294,029 2/1988 Nishiyama et al. .... D14/106  
D. 306,433 3/1990 Mitchell .  
D. 308,860 6/1990 Tsukada et al. .  
D. 308,861 6/1990 Tsukada et al. .

(List continued on next page.)

**FOREIGN PATENT DOCUMENTS**

M8800660 10/1988 Germany .  
M8802901 5/1989 Germany .  
M9103652 2/1992 Germany .  
M9103696 2/1992 Germany .  
M9106802 3/1992 Germany .  
499866(3) 4/1979 Japan .  
639216 11/1984 Japan .  
685121 8/1986 Japan .  
685063 8/1986 Japan .  
686658 9/1986 Japan .

(List continued on next page.)

**OTHER PUBLICATIONS**

Sangyo Sinbun (a newspaper), (Xanax Color Note), Owner: Knowledge Computer Consulting, Apr. 16, 1993.  
Catalog (pertinent page only), Owner: Apple Computer, Dec. 4, 1992.  
Tandy 200 undated.  
Data General One, May 23, 1985.  
Apple IIC, Dec. 1985.  
Mintel 5, IBM XT undated.  
PC-98LT, Nov. 1989.  
Multivision 300 SLC undated.  
Halikan LA-22, LA-30 undated.  
PC-9801LV21, May 13, 1990.  
Sharp, WV-500 undated.  
NEC PC-98LT Jul. 14, 1988.  
NEC PC-9801LX5C, Aug. 23, 1990.  
Kyocera, 386-SX Laptop AX undated.  
Sharp AX286L, Sep. 29, 1990.  
NEC, PC-9801LS2/LS5 undated.  
Toshiba, T1600 undated.  
OKI, if 386AX, Dec. 9, 1990.

(List continued on next page.)

*Primary Examiner*—Freda Nunn  
*Attorney, Agent, or Firm*—Banner & Allegretti, Ltd.

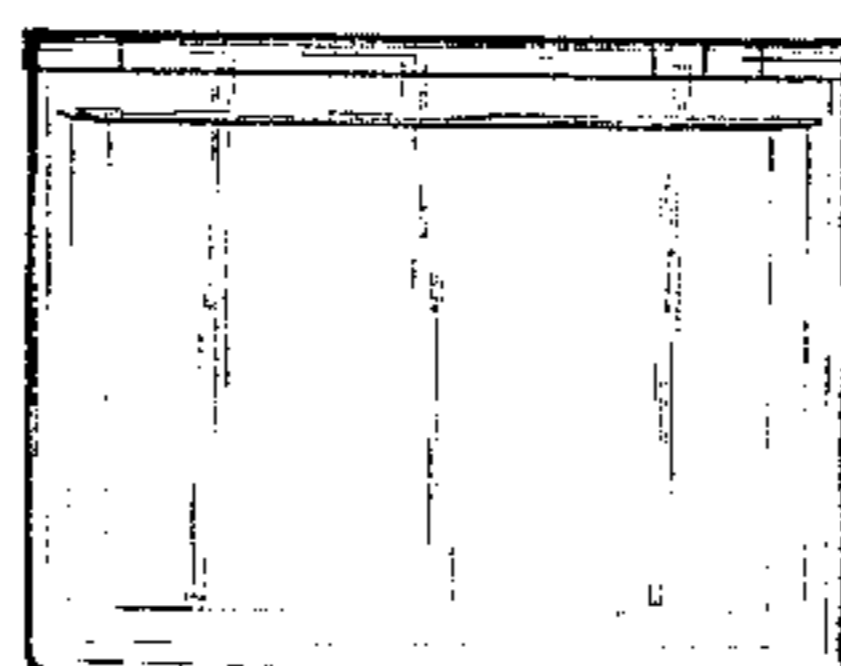
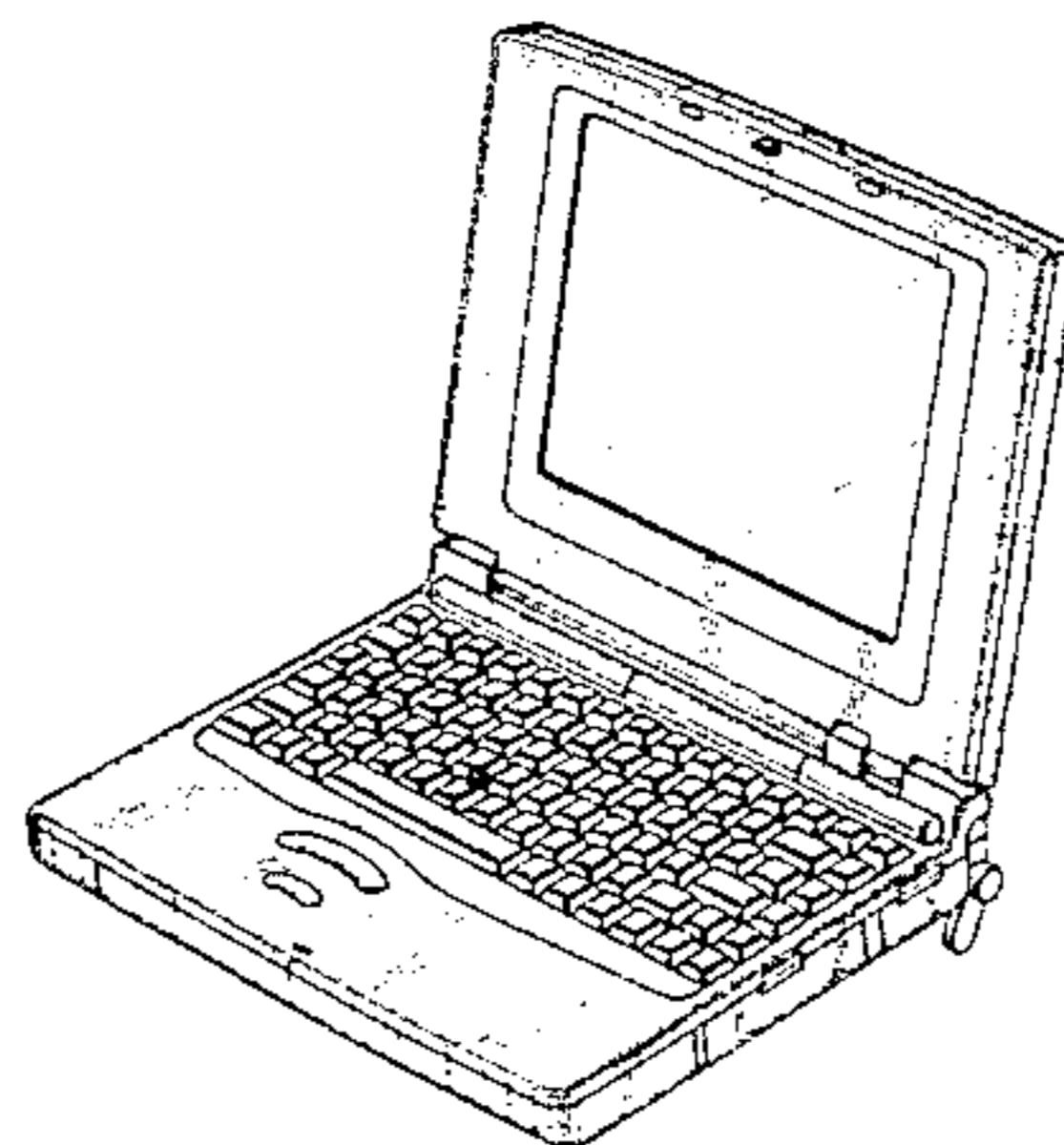
[57] **CLAIM**

The ornamental design for an electronic computer, as shown and described.

**DESCRIPTION**

FIG. 1 is a top, front and right side perspective view of an electronic computer showing my new design;  
FIG. 2 is a front elevational view thereof;  
FIG. 3 is a rear elevational view thereof;  
FIG. 4 is a left side elevational view thereof;  
FIG. 5 is a right side elevational view thereof;  
FIG. 6 is a top plan view thereof;  
FIG. 7 is a bottom plan view thereof;  
FIG. 8 is a front elevational view thereof in closed position;  
FIG. 9 is a right side elevational view thereof in closed position; and,  
FIG. 10 is a plan view thereof in closed position.

**1 Claim, 5 Drawing Sheets**



## U.S. PATENT DOCUMENTS

D. 310,213 8/1990 Tsukada et al. .  
 D. 310,517 9/1990 Hara et al. .  
 D. 310,828 9/1990 Grundstrom et al. .  
 D. 311,527 10/1990 Fujii et al. .  
 D. 311,906 11/1990 Iino .  
 D. 312,076 11/1990 Miller et al. .  
 D. 312,822 12/1990 Watabe et al. .  
 D. 314,558 2/1991 Iino .  
 D. 317,442 6/1991 Gintz et al. .  
 D. 317,444 6/1991 Mizusugi et al. .  
 D. 319,819 9/1991 Kawaguchi .  
 D. 321,176 10/1991 Ma .  
 D. 324,674 3/1992 Iino .  
 D. 327,473 6/1992 Iino .  
 D. 328,287 7/1992 Iino .  
 D. 328,455 8/1992 Izaki .  
 D. 328,592 8/1992 Kajita .  
 D. 331,919 12/1992 Sekino et al. .... D14/106  
 D. 332,780 1/1993 Iino et al. .  
 D. 332,783 1/1993 Krakower et al. .... D14/106  
 D. 334,558 4/1993 Iino .  
 D. 335,124 4/1993 Mizusugi et al. .  
 D. 335,870 5/1993 Yun .  
 D. 336,076 6/1993 Masaaki .  
 D. 336,286 6/1993 Iino .  
 D. 336,465 6/1993 Kim ..... D14/106  
 D. 337,096 7/1993 Iino .  
 D. 337,573 7/1993 Izaki .  
 D. 338,456 8/1993 Brunner et al. .... D14/106  
 D. 338,660 8/1993 Youens et al. .  
 D. 340,918 11/1993 Iino .  
 D. 345,550 3/1994 Iino ..... D14/106  
 D. 346,369 4/1994 Iino ..... D14/106  
 D. 347,829 6/1994 Iino ..... D14/106  
 D. 349,106 7/1994 Iino et al. .... D14/106  
 D. 349,278 8/1994 Wetrin ..... D14/106  
 D. 351,377 10/1994 Yu ..... D14/106

## FOREIGN PATENT DOCUMENTS

695931 12/1986 Japan .  
 685121(1) 10/1988 Japan .  
 748513 11/1988 Japan .  
 746985 4/1989 Japan .  
 746985(2) 4/1989 Japan .

763840 6/1989 Japan .  
 763855 6/1989 Japan .  
 763838 6/1989 Japan .  
 761927 5/1990 Japan .  
 67297 2/1987 Rep. of Korea .  
 113906 5/1991 Rep. of Korea .  
 115245 6/1991 Rep. of Korea .  
 115673 7/1991 Rep. of Korea .  
 115787 7/1991 Rep. of Korea .  
 115780 7/1991 Rep. of Korea .  
 115781 7/1991 Rep. of Korea .  
 122562 1/1992 Rep. of Korea .  
 135181 1/1993 Rep. of Korea .  
 149344 1/1991 Taiwan .  
 199040 1/1993 Taiwan .

## OTHER PUBLICATIONS

Ricoh, Magus, Feb. 1, 1990 undated.  
 Mitsubishi, Maxy May 15, 1990.  
 MaxyNote 286 undated.  
 NoteMaster 386S/16, Nov. 12, 1990.  
 Super-NB386S, Nov. 12, 1990.  
 52 Note, May 15, 1991.  
 AST Premium Exec 386SX/120 undated.  
 Goldstar, GS620 386SX, Jun. 1, 1991.  
 Mitsubishi mp286L undated.  
 Dauphin Laptop Computer undated.  
 Supersport brochure undated.  
 NEC Starlet, PC-8401A undated.  
 The Nihon Kogyo Shinbun undated.  
 Mr. Mytool Magus undated.  
 Sharp, AX286N-H2 May 18, 1990.  
 NT-300, Dec. 20, 1991.  
 The Book, Oct. 24, 1989.  
 BriteLite IPX—Daisin Electric, Feb. 19, 1992.  
 Everex 5.2, Jun. 22, 1992.  
 Nihon Kogyo Shinbun, BriteLite IPX, Mar. 5, 1992.  
 Newsdate, Z-181 Portable PC, Jun. 1, 1986.  
 Ricoh, Aug. 17, 1987.  
 NEC PC-98LT, Mar. 11, 1987.  
 NEC PC-98LT, Jul. 14, 1988.  
 Samsung NM386S/16 Notemaster PC, Sep. 17, 1992.  
 Toshiba portable computer 1993.

FIG. 1

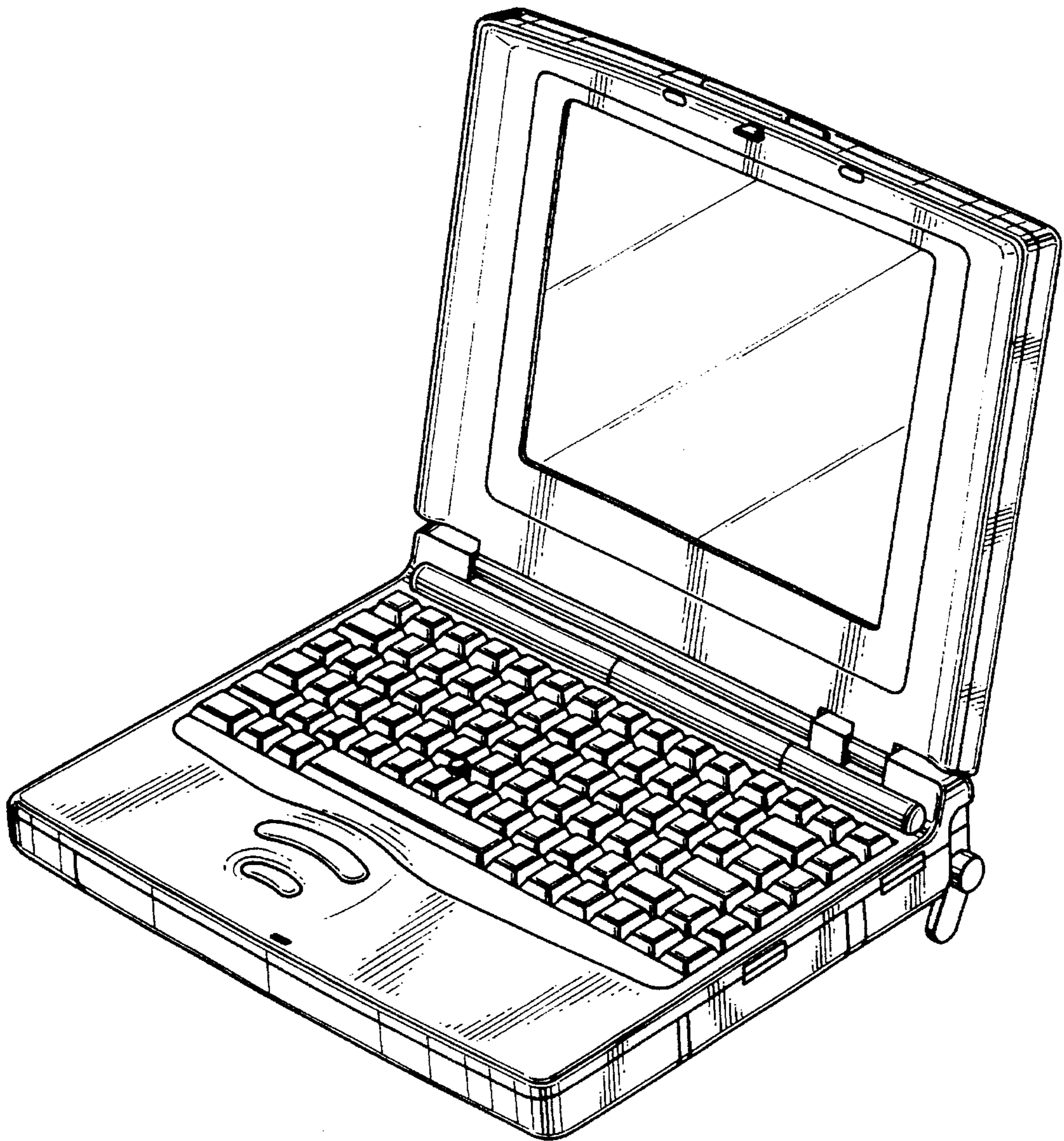


FIG. 2

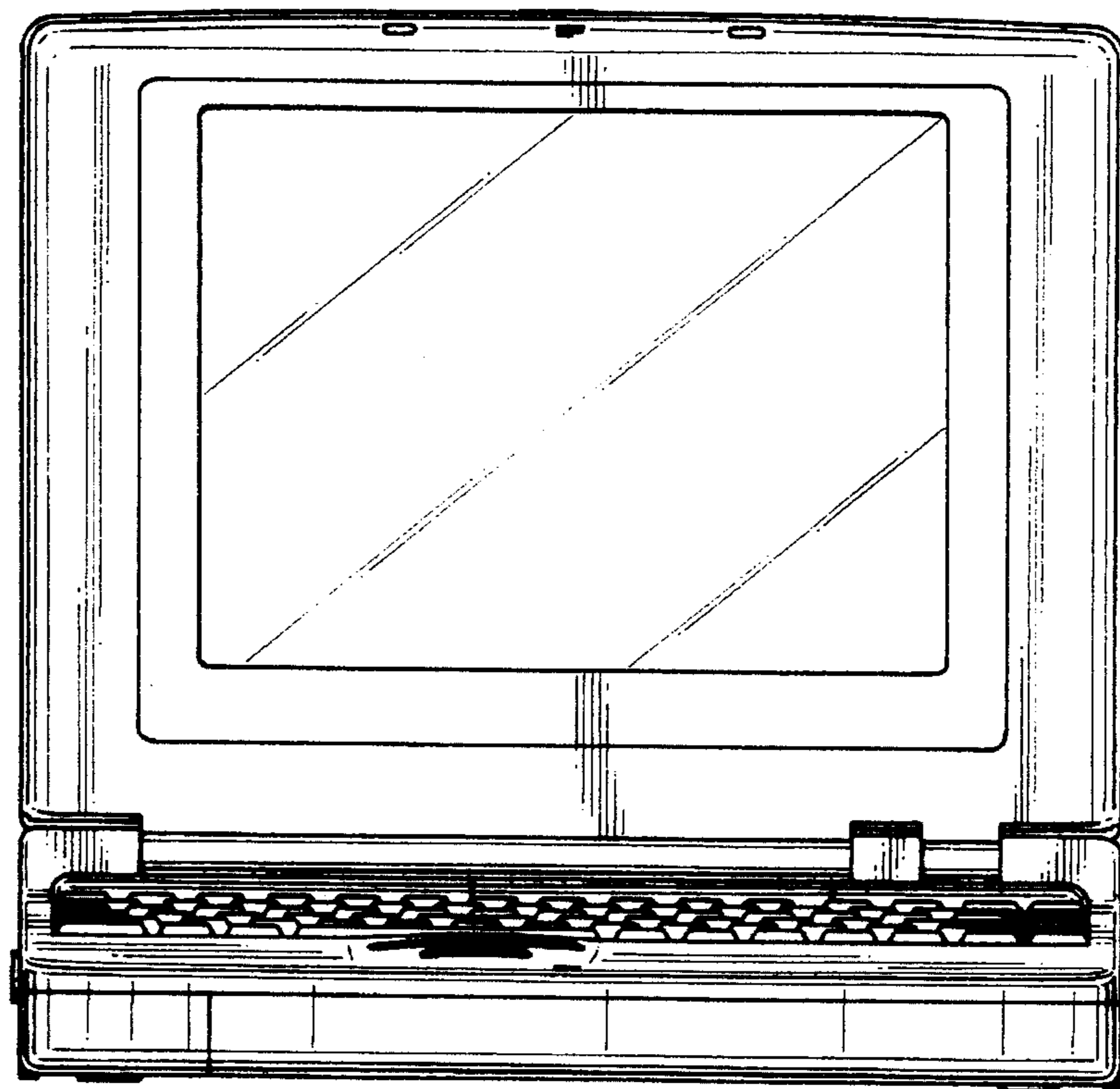
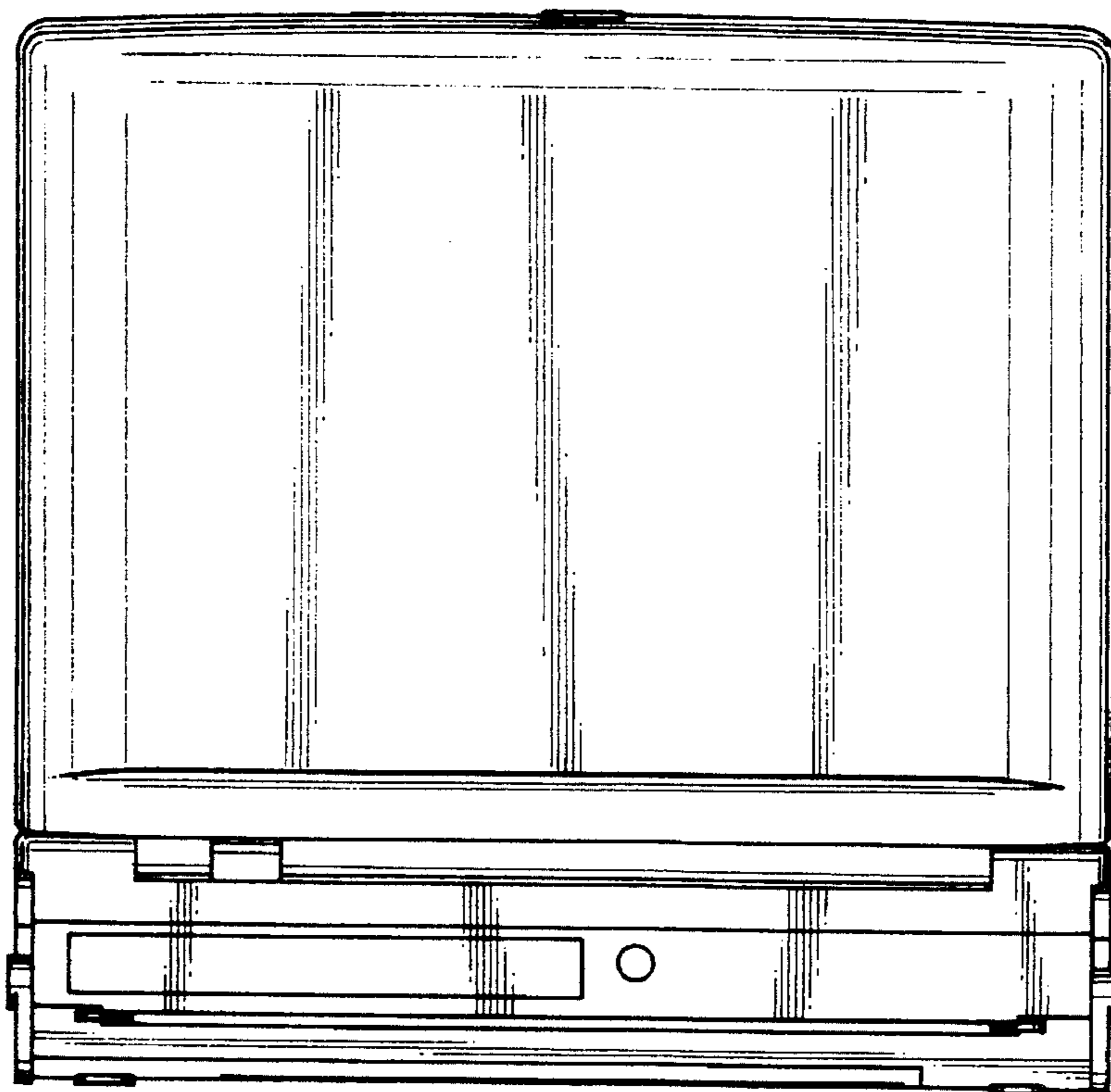


FIG. 3



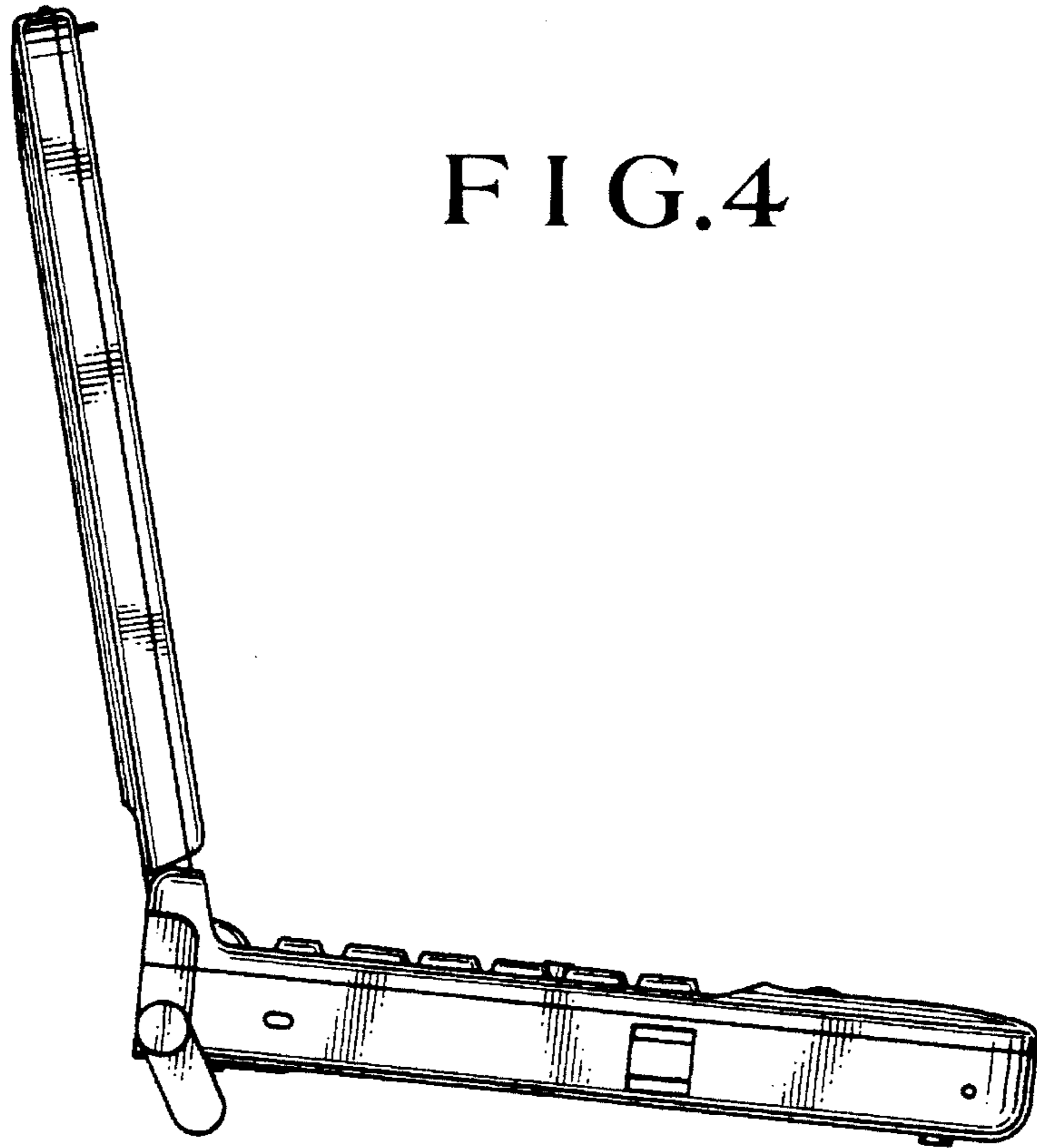


FIG. 4

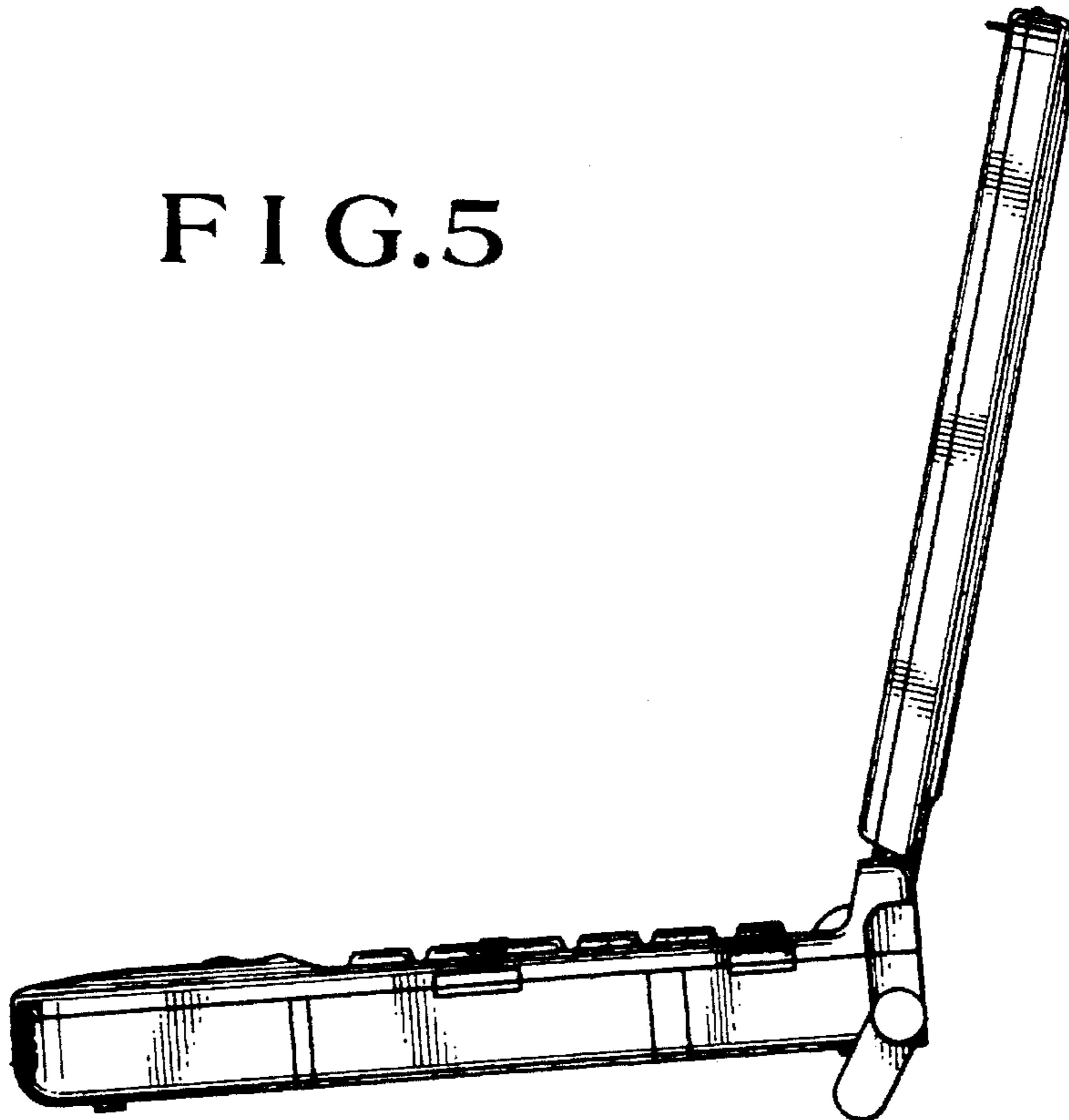


FIG. 5

FIG. 6

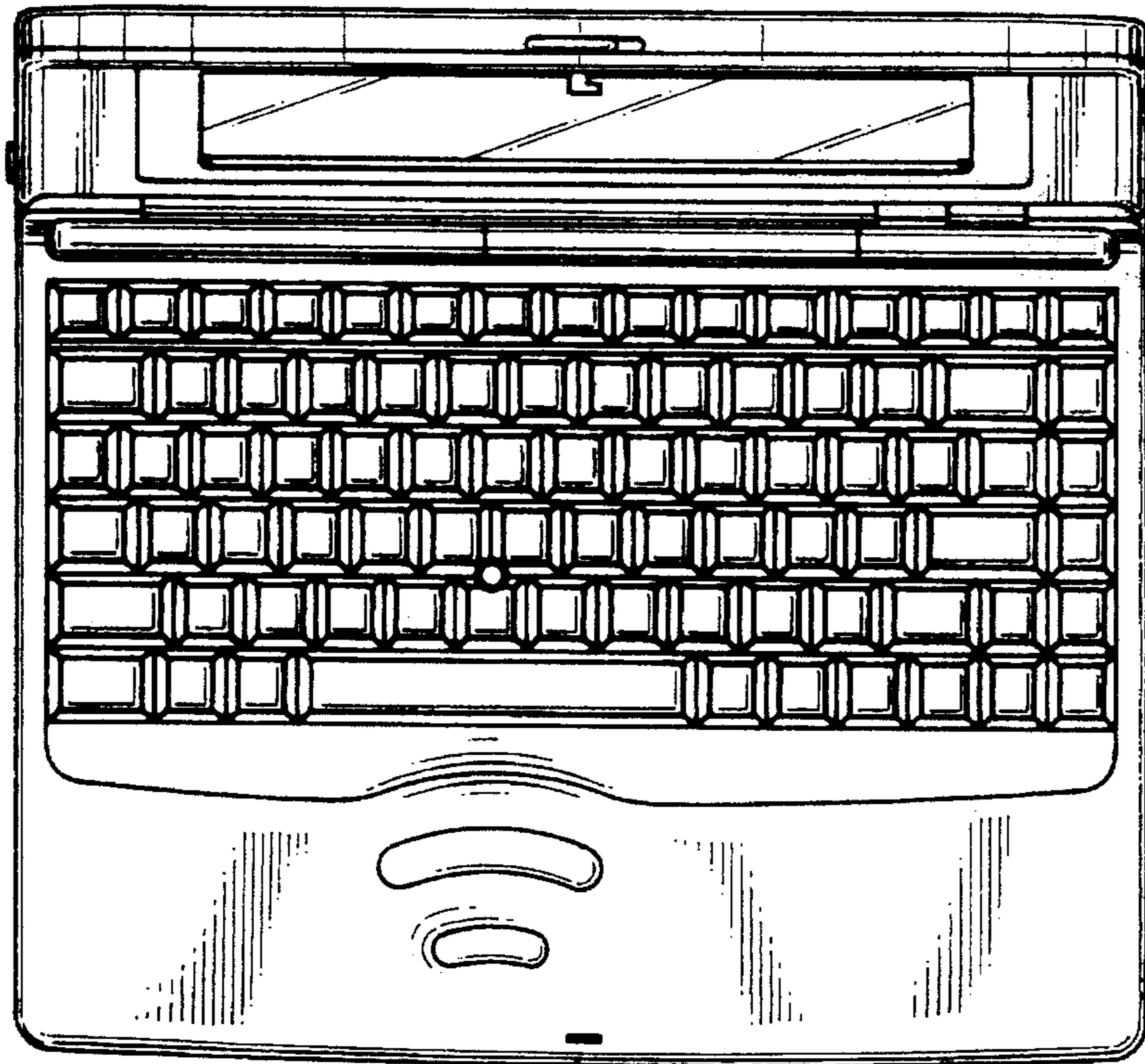


FIG. 7

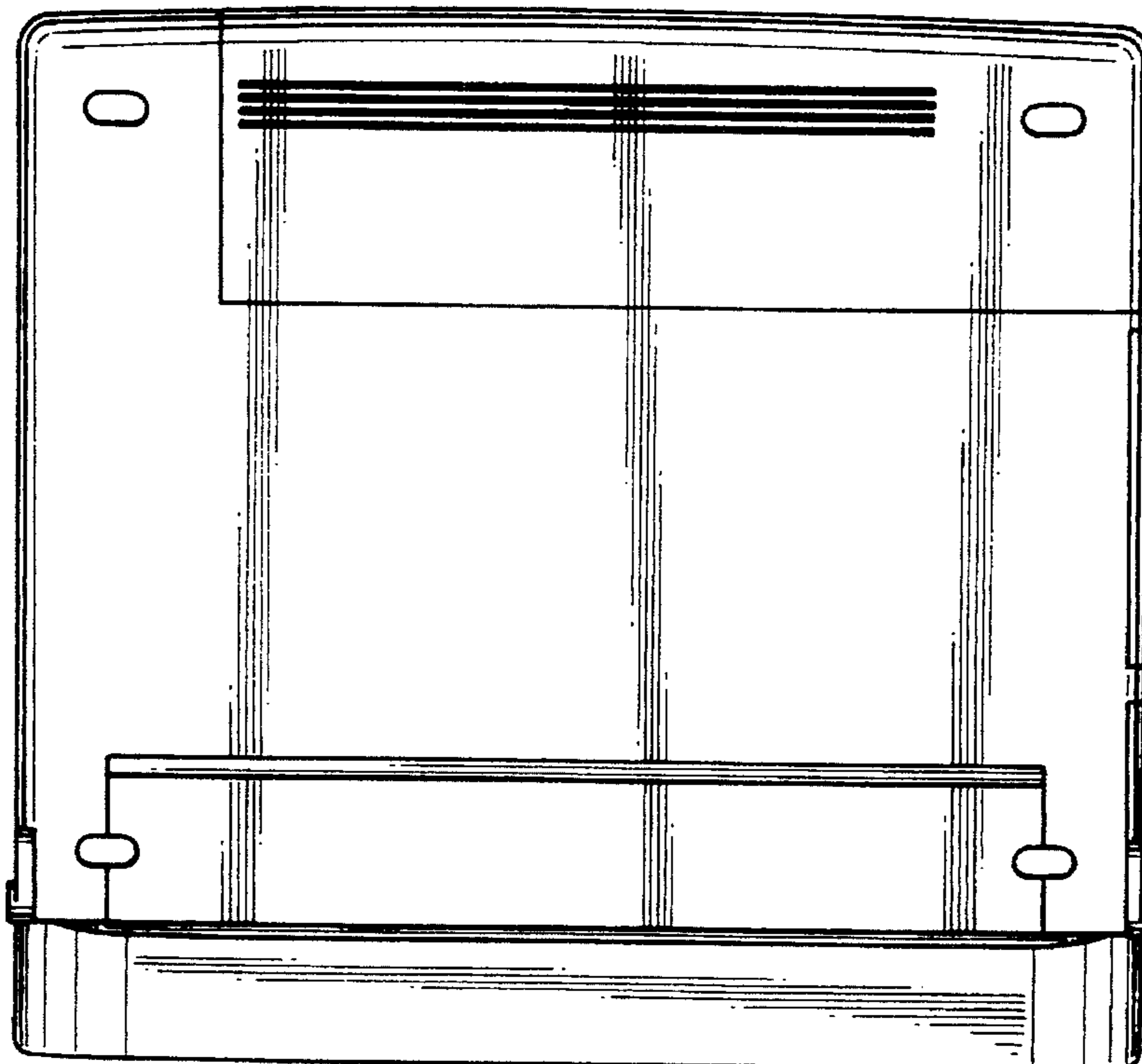


FIG.8

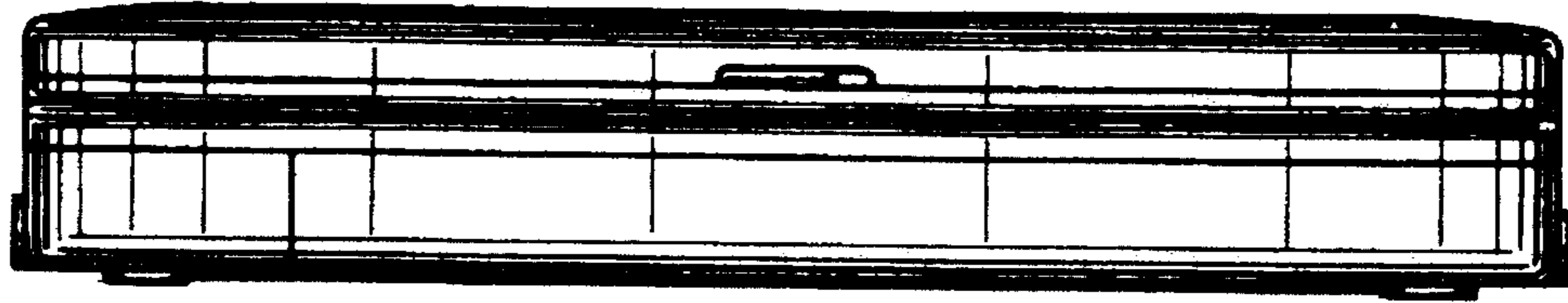


FIG.9

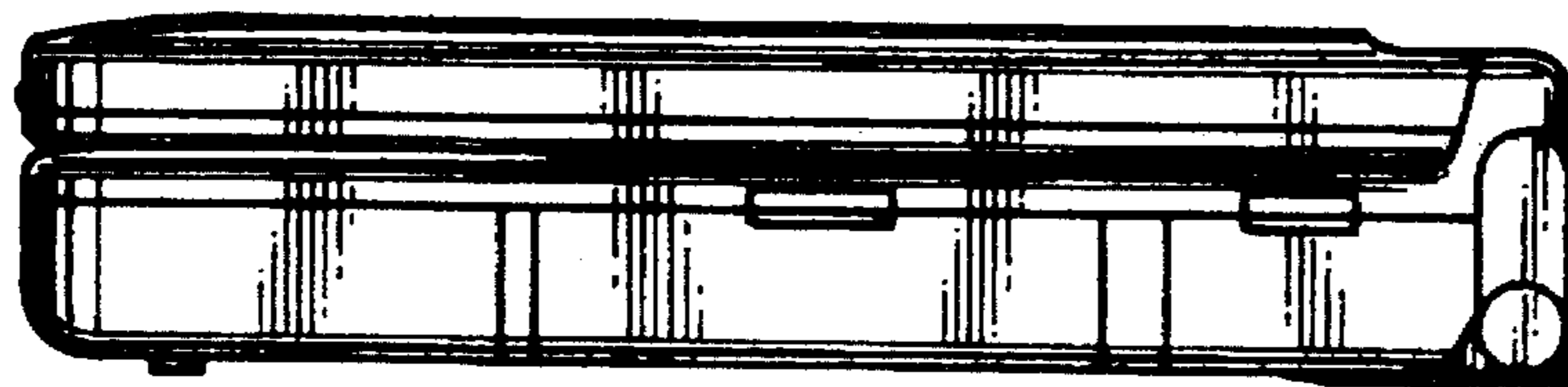


FIG.10

