



US00D368466S

United States Patent [19]

Ahn et al.

[11] Patent Number: **Des. 368,466**

[45] Date of Patent: ****Apr. 2, 1996**

[54] **GAS DISCHARGE LAMP BALLAST**

FOREIGN PATENT DOCUMENTS

[75] Inventors: **Youngkee Ahn**, Buffalo Grove; **Jack Meagher**, Prospect Heights, both of Ill.

3901285 7/1990 Germany 336/90

[73] Assignee: **Motorola, Inc.**, Schaumburg, Ill.

Primary Examiner—Joel Sincavage
Attorney, Agent, or Firm—J. Ray Wood

[**] Term: **14 Years**

[57] CLAIM

[21] Appl. No.: **860,874**

The ornamental design for a gas discharge lamp ballast, as shown and described.

[22] Filed: **Mar. 31, 1992**

DESCRIPTION

[52] U.S. Cl. **D13/110**

FIG. 1 is a front and upper right perspective view showing our design;

[58] Field of Search D13/101, 110,
D13/123, 124; 315/224, 225, 307; 336/90;
361/399

FIG. 2 is a rear view;

FIG. 3 is a bottom plan view; and,

FIG. 4 is a left side elevation view.

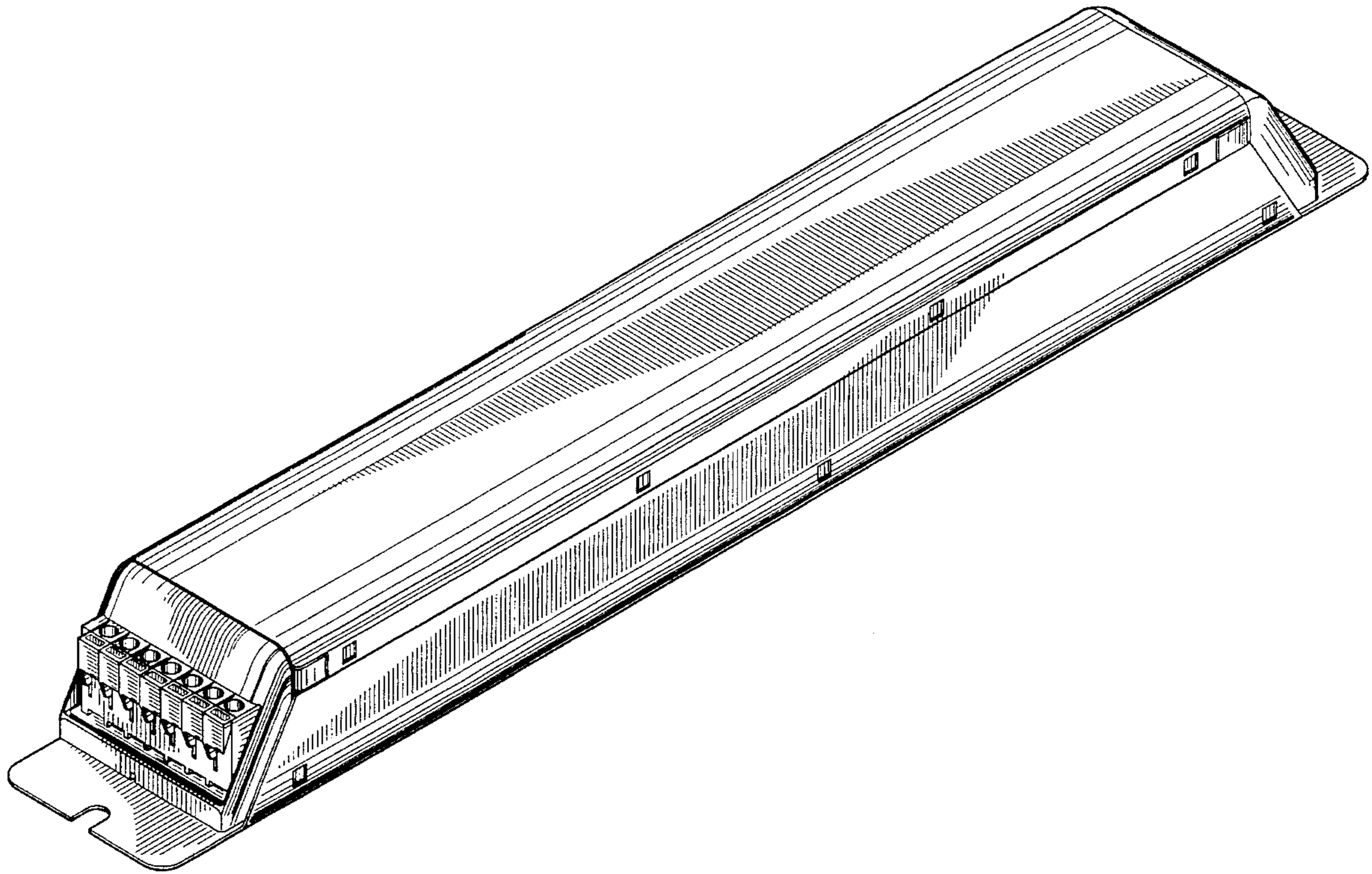
[56] References Cited

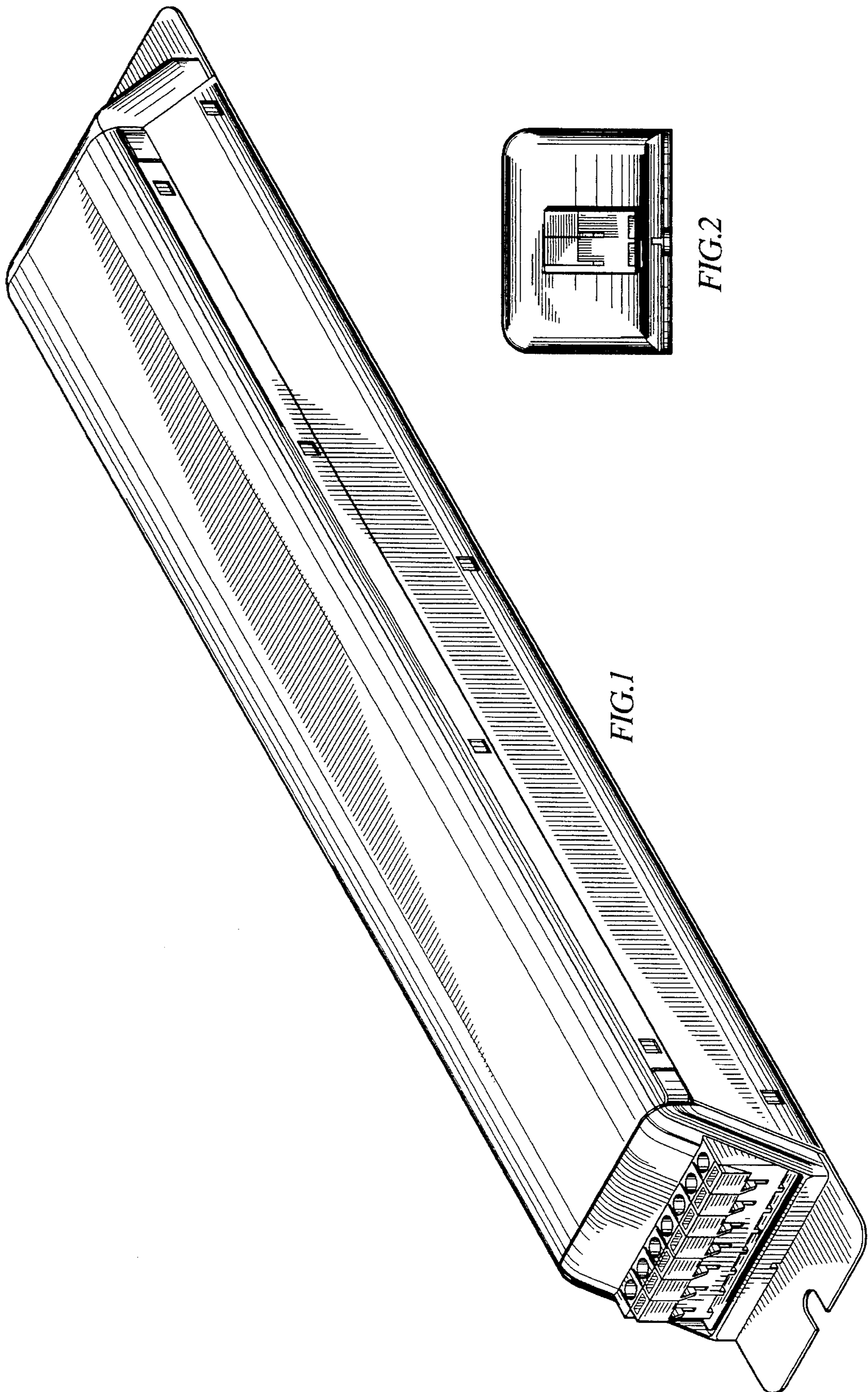
The broken line showing is included only for the purpose of illustrating environmental elements only and forms no part of the claimed design.

U.S. PATENT DOCUMENTS

4,916,363 4/1990 Burton et al. 336/90 X
4,924,152 5/1990 Flickinger 361/399 X

1 Claim, 2 Drawing Sheets





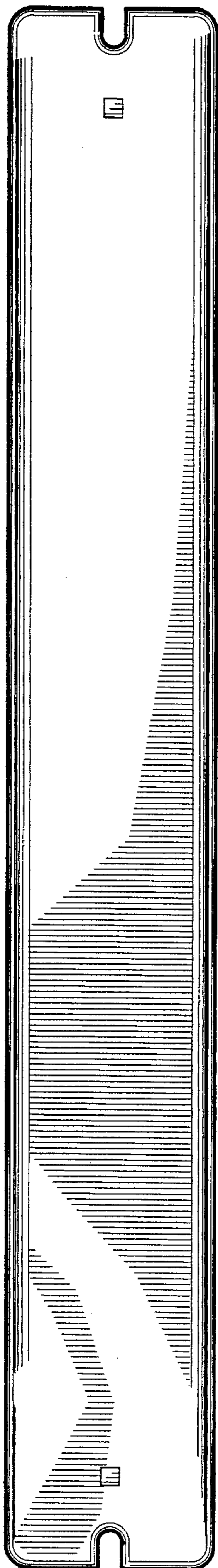


FIG.3

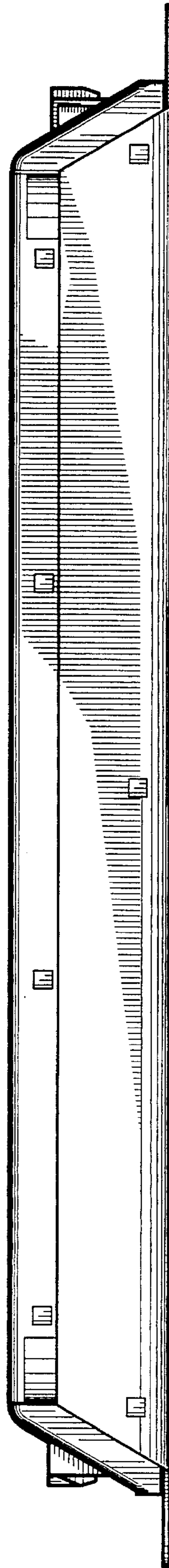


FIG.4