



US00D368465S

# United States Patent [19]

[11] Patent Number: **Des. 368,465**

Scheid et al.

[45] Date of Patent: **\*\*Apr. 2, 1996**

[54] **BATTERY CHARGER FOR A RADIO PAGER**

[57] **CLAIM**

[75] Inventors: **William J. Scheid**, Coral Springs;  
**Robert Kurcbart**, Boca Raton, both of Fla.

The ornamental design for a battery charger for a radio pager, as shown and described.

[73] Assignee: **Motorola, Inc.**, Schaumburg, Ill.

### DESCRIPTION

[\*\*] Term: **14 Years**

FIG. 1 is a top plan view of a battery charger for a radio pager showing our new design;

[21] Appl. No.: **39,622**

FIG. 2 is a right side elevational view thereof;

[22] Filed: **Jun. 1, 1995**

FIG. 3 is a front elevational view thereof;

[52] U.S. Cl. .... **D13/108**

FIG. 4 is a bottom plan view thereof;

[58] Field of Search ..... D13/107, 108;  
D14/191; 320/2, 3, 4, 15

FIG. 5 is a left side elevational view thereof;

### [56] **References Cited**

FIG. 6 is a rear elevational view thereof;

#### U.S. PATENT DOCUMENTS

FIG. 7 is a top, right and front perspective view thereof with lid in closed position; and,

- D. 271,391 11/1983 Scheid et al. .... D13/107
- D. 276,149 10/1984 Eckmann et al. .... D13/107
- D. 354,041 1/1995 Scheid et al. .... D13/108

FIG. 8 is a top, right and front perspective view thereof with lid in open position.

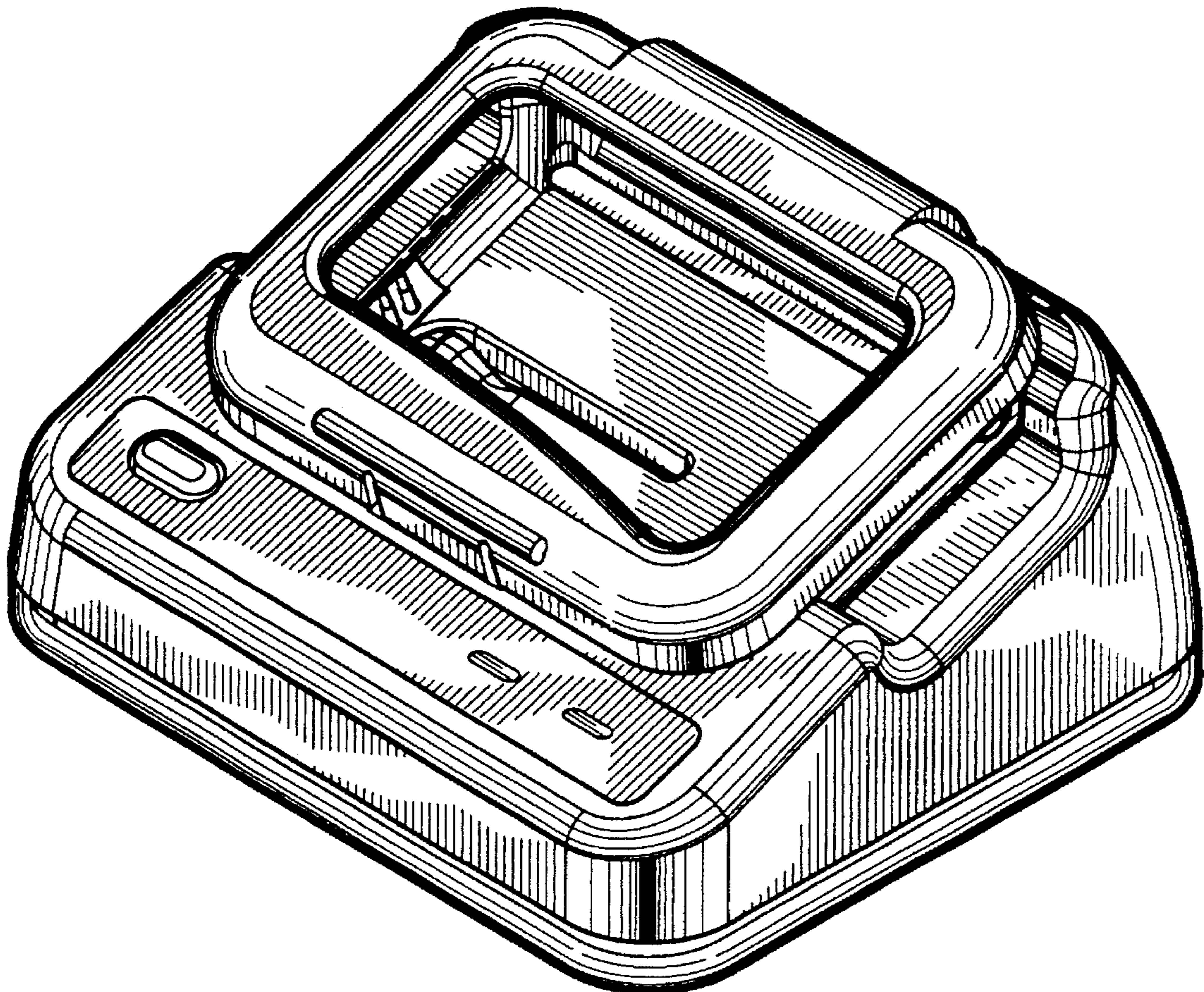
#### OTHER PUBLICATIONS

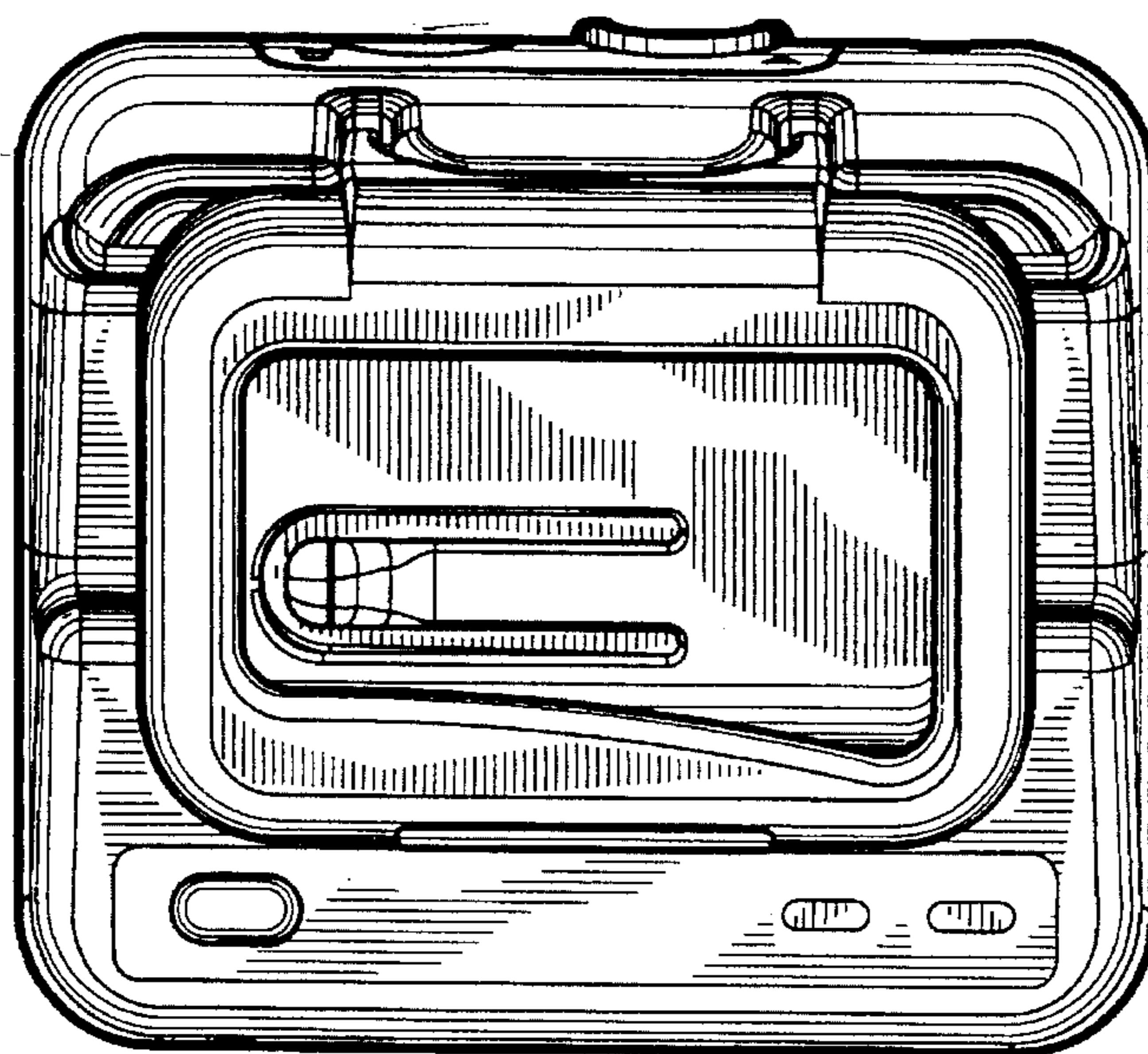
Desk-top charger on Mitsubishi publication.

*Primary Examiner*—Joel Sincavage

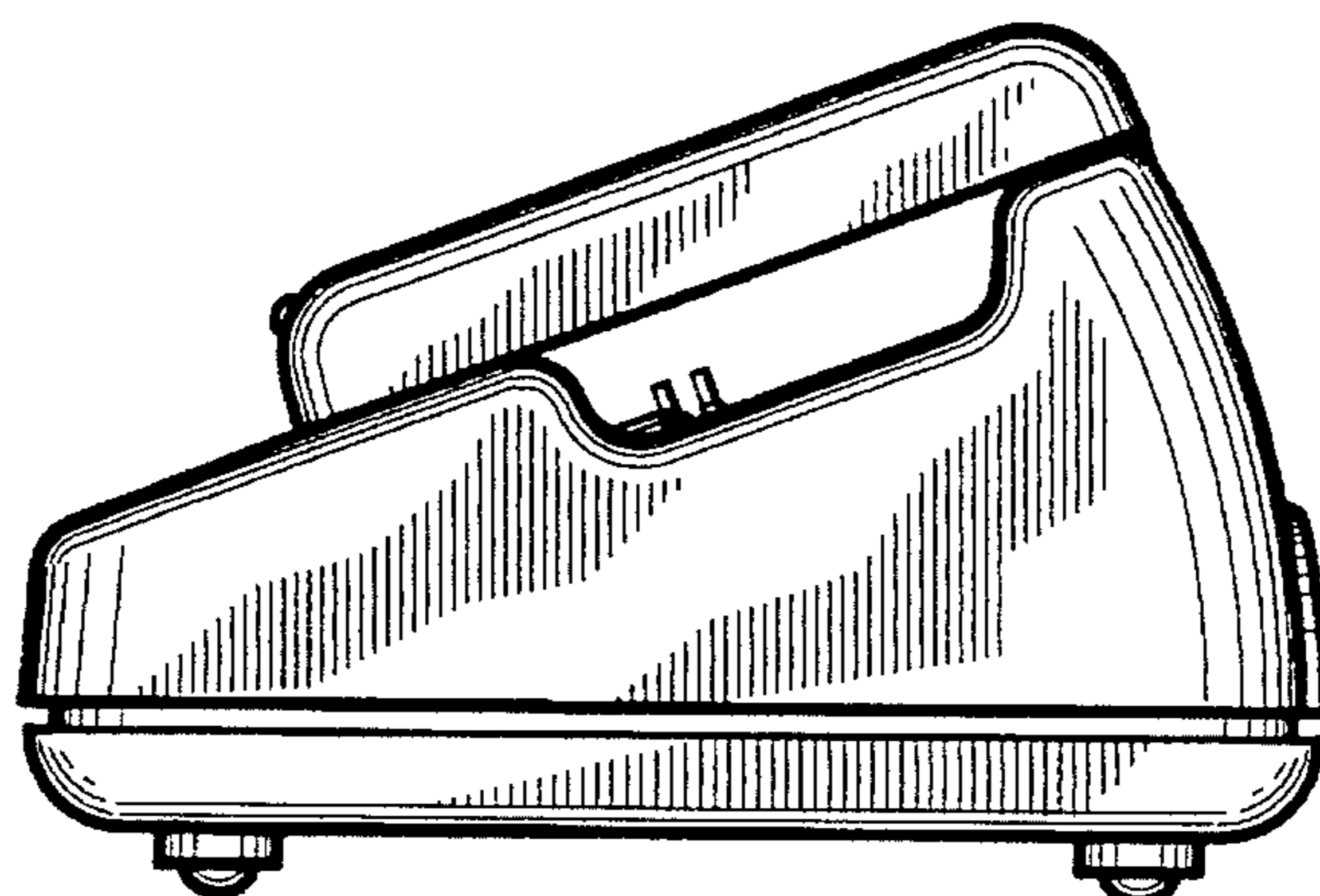
**1 Claim, 3 Drawing Sheets**

*Attorney, Agent, or Firm*—Philip P. Macnak

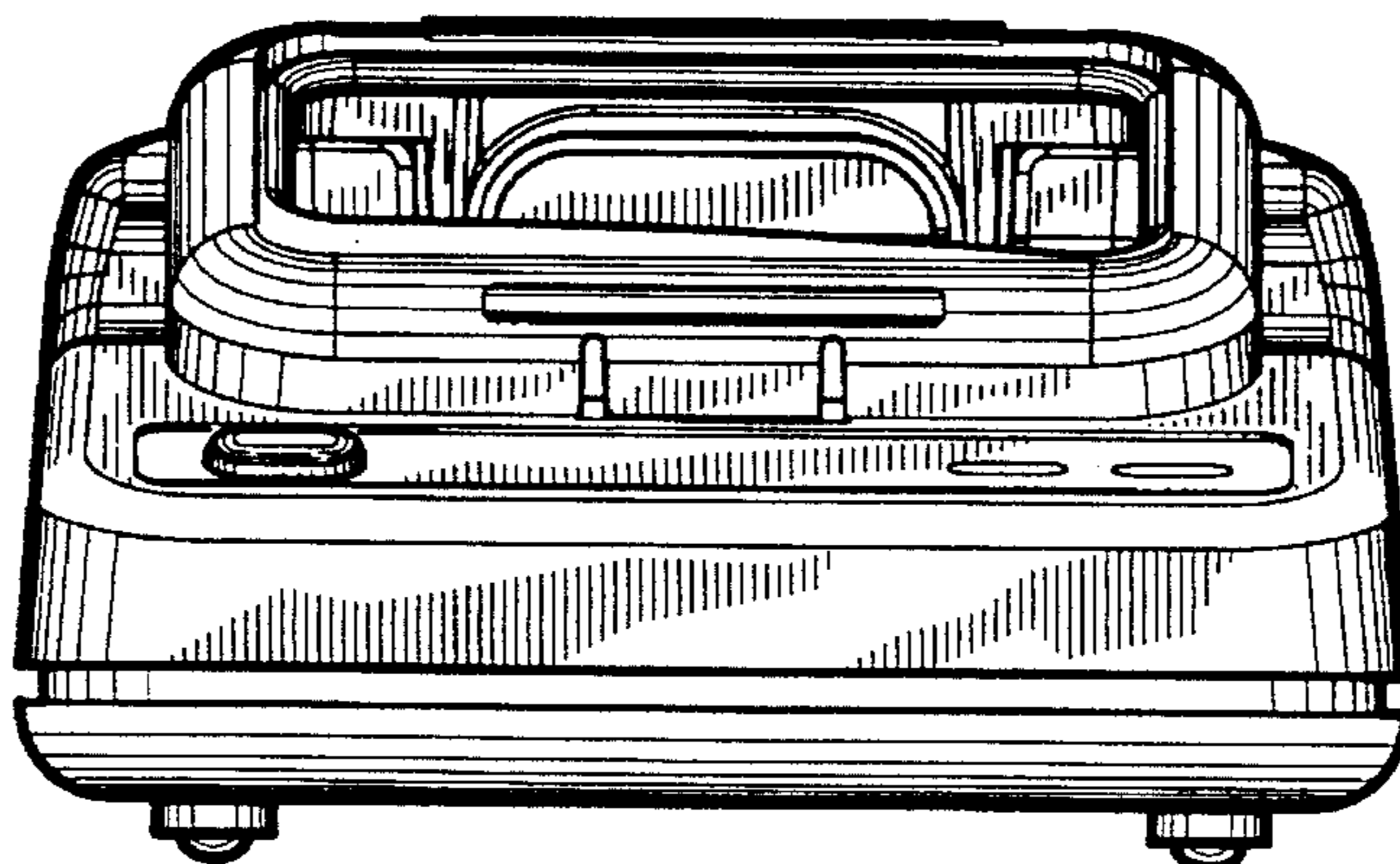




*FIG. 1*

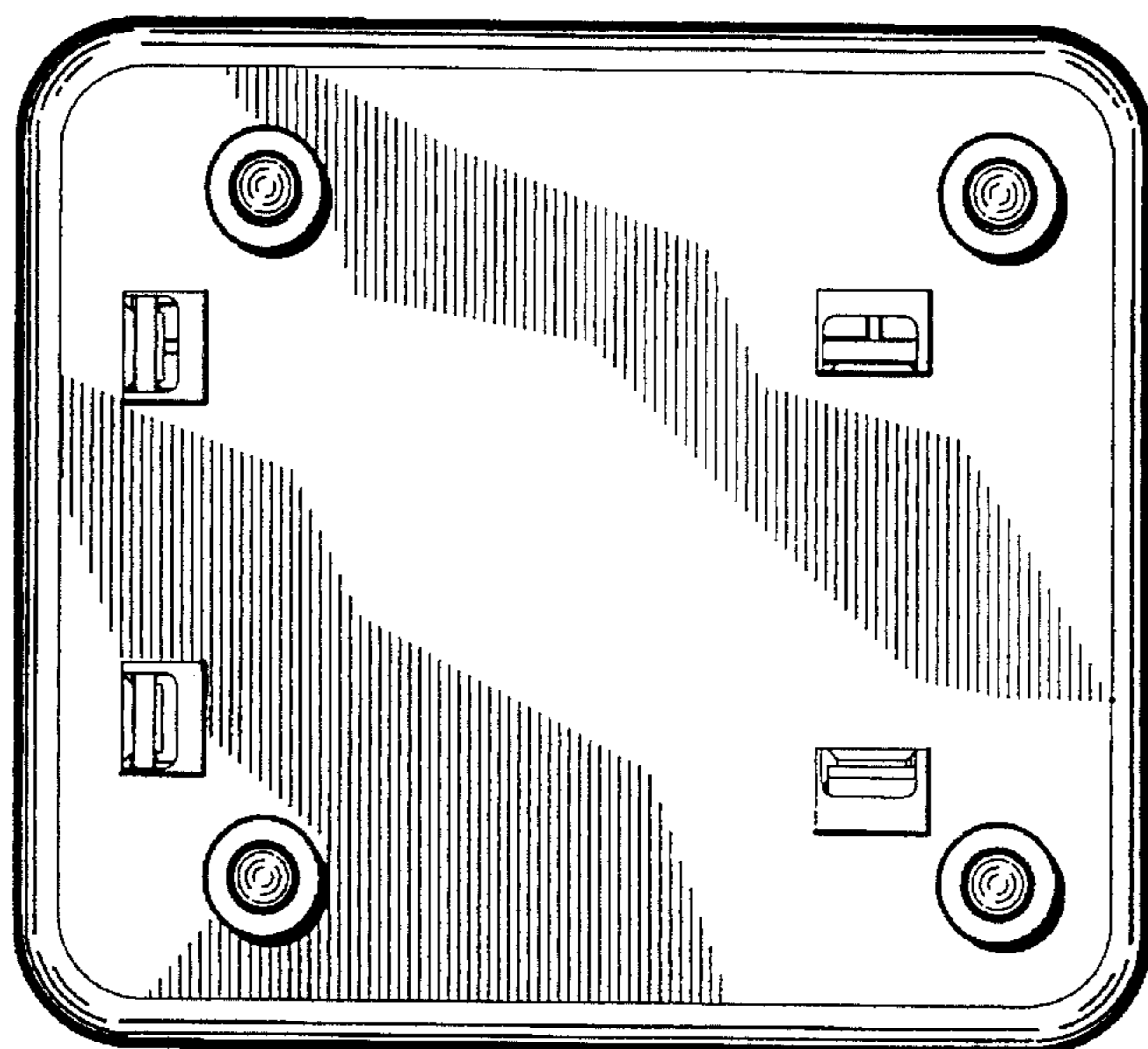


*FIG. 2*

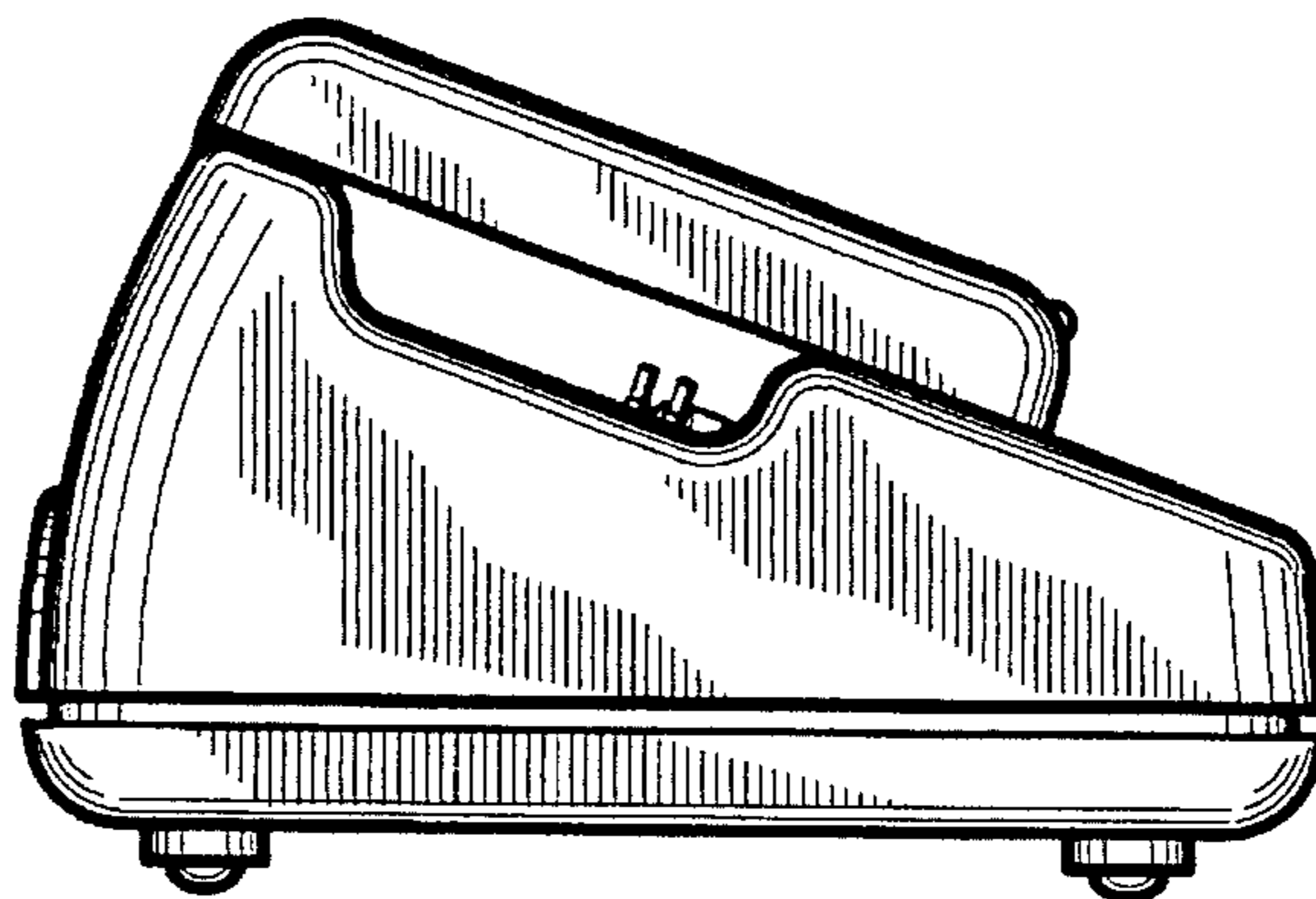


*FIG. 3*

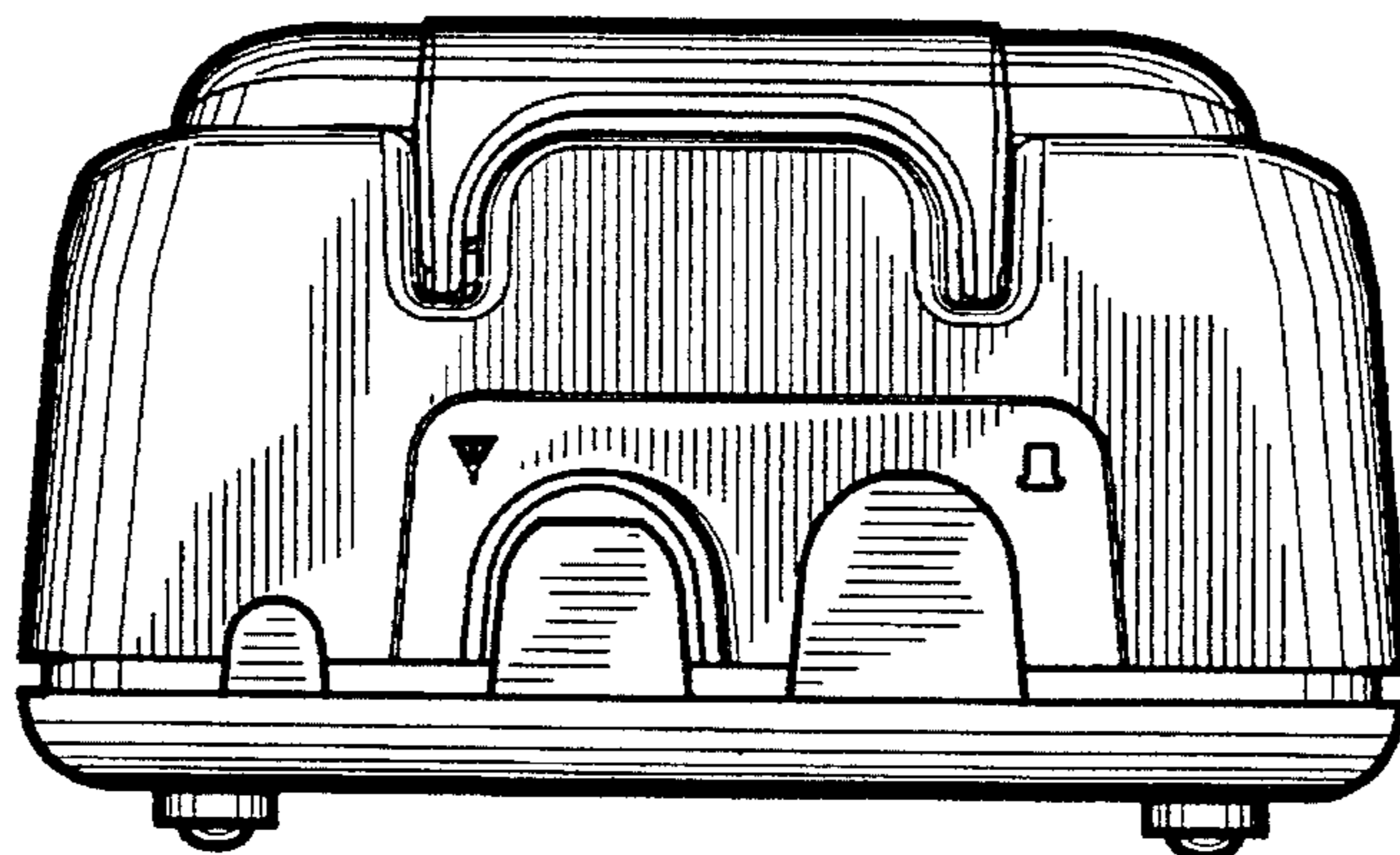




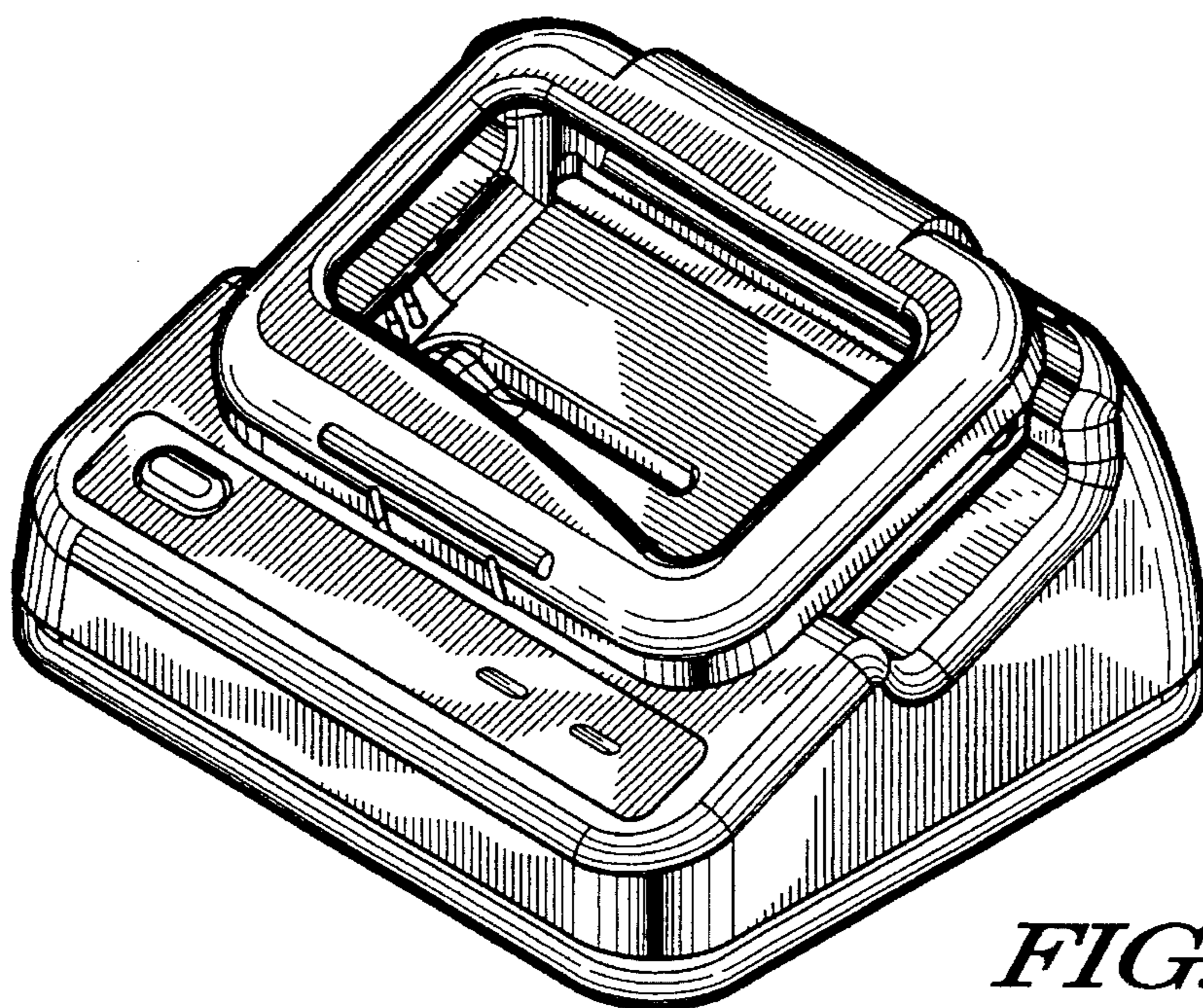
*FIG. 4*



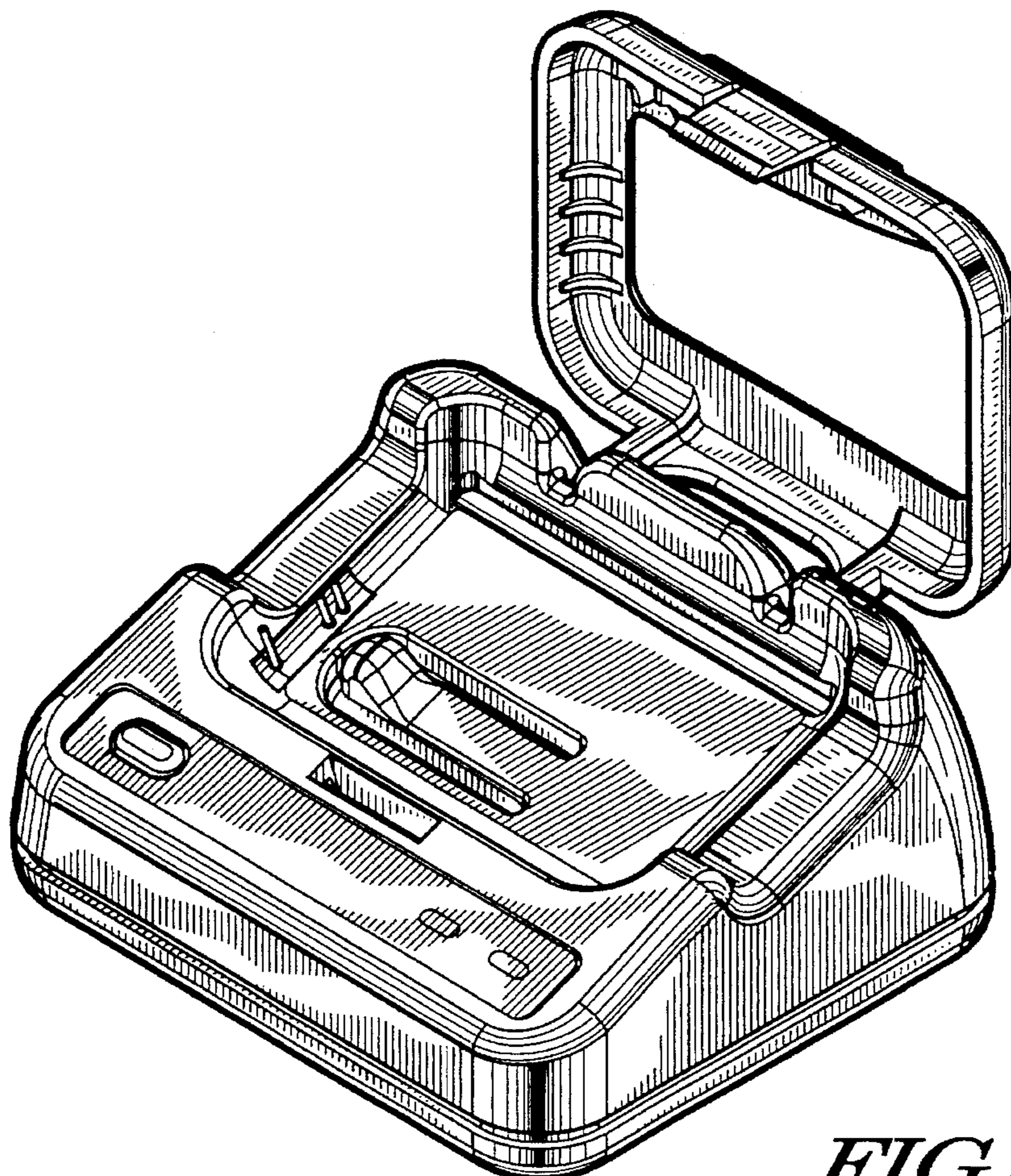
*FIG. 5*



*FIG. 6*



*FIG. 7*



*FIG. 8*