



US00D368449S

# United States Patent [19]

[11] **Patent Number: Des. 368,449**

**Treadway et al.**

[45] **Date of Patent: \*\*Apr. 2, 1996**

[54] **REAR ASSEMBLY FOR A MOTOR HOME**

[75] Inventors: **Patrick P. Treadway**, Ontario, Calif.;  
**Michael J. Miernik**, Decatur, Ind.

[73] Assignee: **Fleetwood Enterprises, Inc.**, Riverside,  
Calif.

[\*\*] Term: **14 Years**

[21] Appl. No.: **38,506**

[22] Filed: **May 5, 1995**

[52] U.S. Cl. .... **D12/100**

[58] Field of Search ..... D12/100, 196;  
296/50, 56, 156, 164, 194, 195, 180.1

[56] **References Cited**

**U.S. PATENT DOCUMENTS**

- D. 319,615 9/1991 Thompson et al. .... D12/196
- D. 319,996 9/1991 Thompson et al. .... D12/100 X
- D. 331,733 12/1992 Treadway ..... D12/100

*Primary Examiner*—Alan P. Douglas  
*Assistant Examiner*—S. Snapp  
*Attorney, Agent, or Firm*—Price, Gess & Ubell

[57] **CLAIM**

The ornamental design for a rear assembly for a motor home, as shown and described.

**DESCRIPTION**

FIG. 1 is a front side perspective view of the rear assembly for a motor home showing the new design;

FIG. 2 is a top plan view thereof;

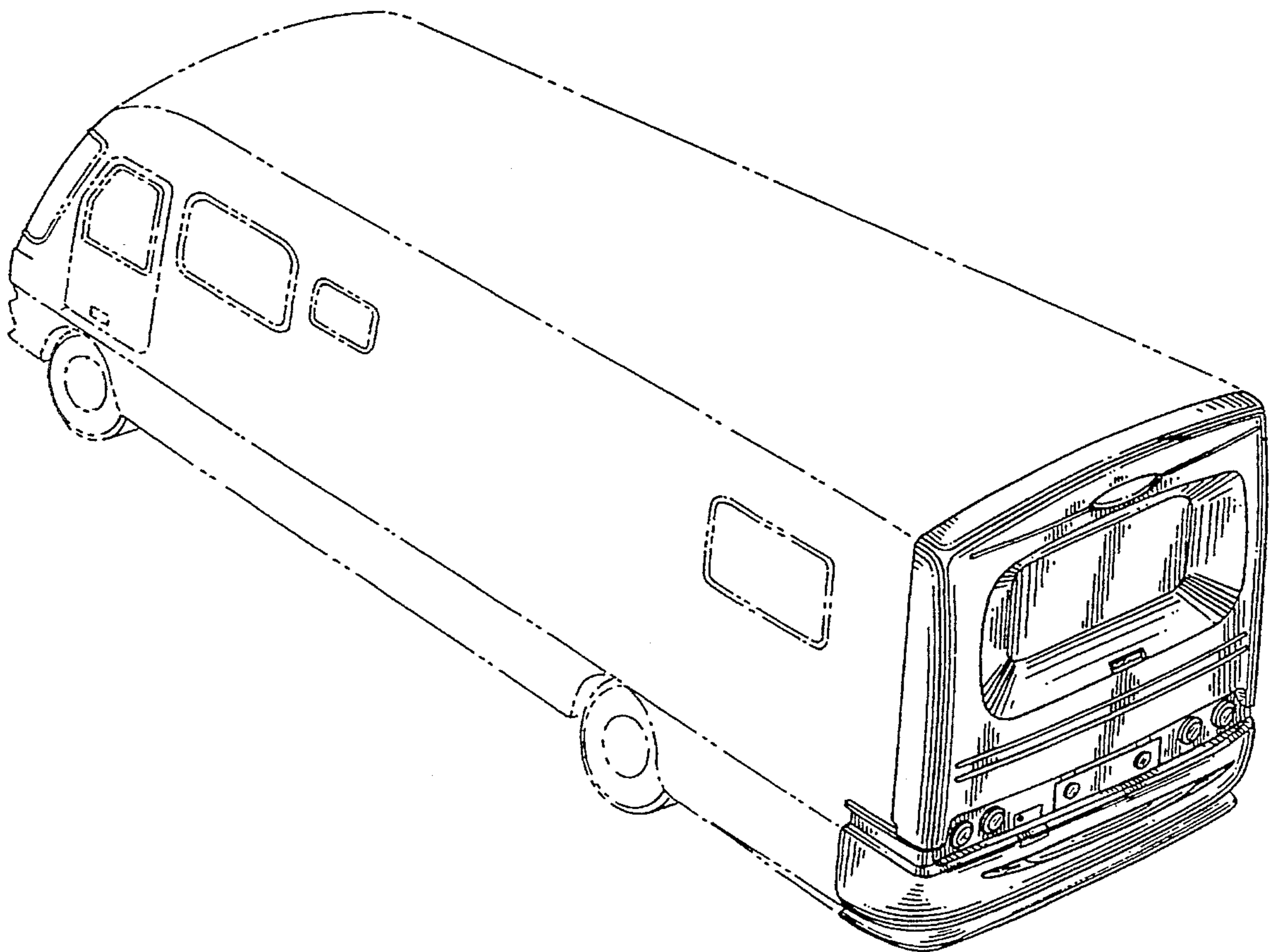
FIG. 3 is a front elevational view thereof;

FIG. 4 is a left side elevational view thereof; and,

FIG. 5 is a right side elevational view thereof.

The broken line showing of a motor home in FIG. 1 is for illustrative purposes only and forms no part of the claimed design.

**1 Claim, 2 Drawing Sheets**



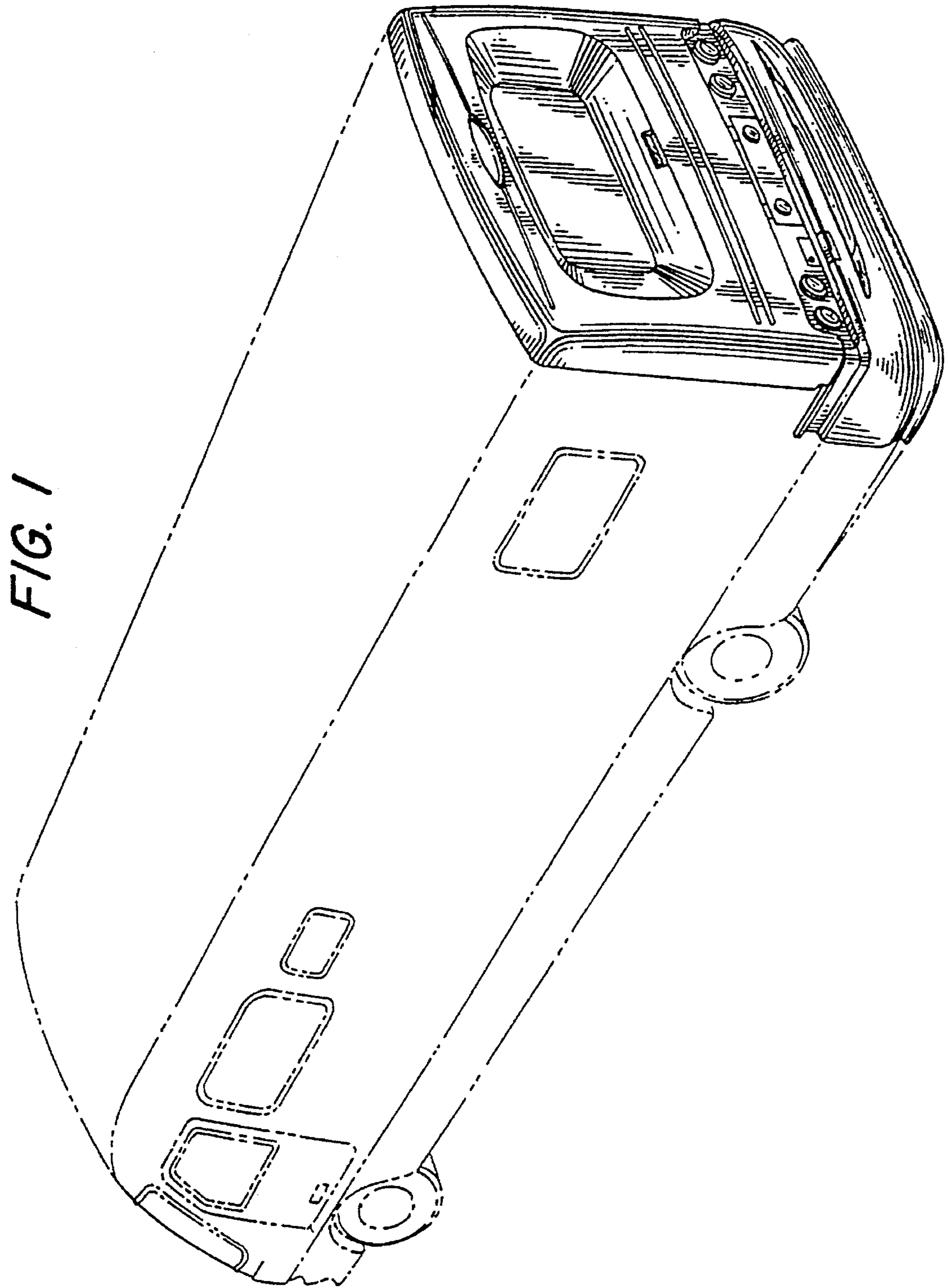


FIG. 1

FIG. 2

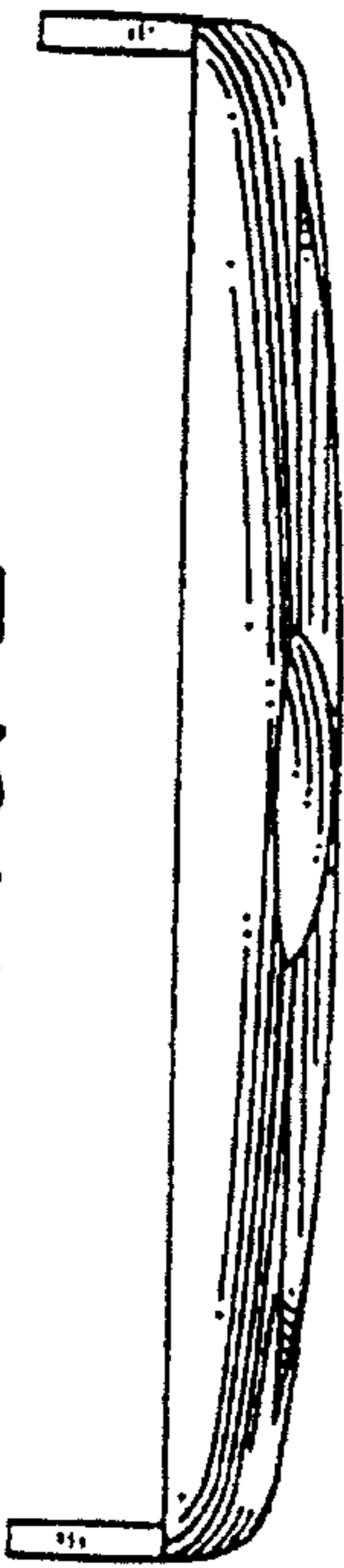


FIG. 5

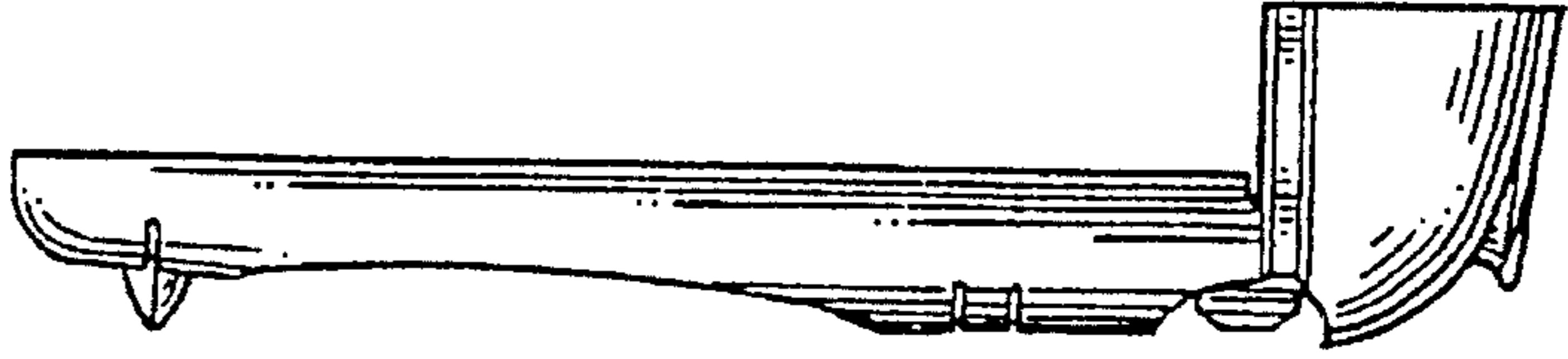


FIG. 3

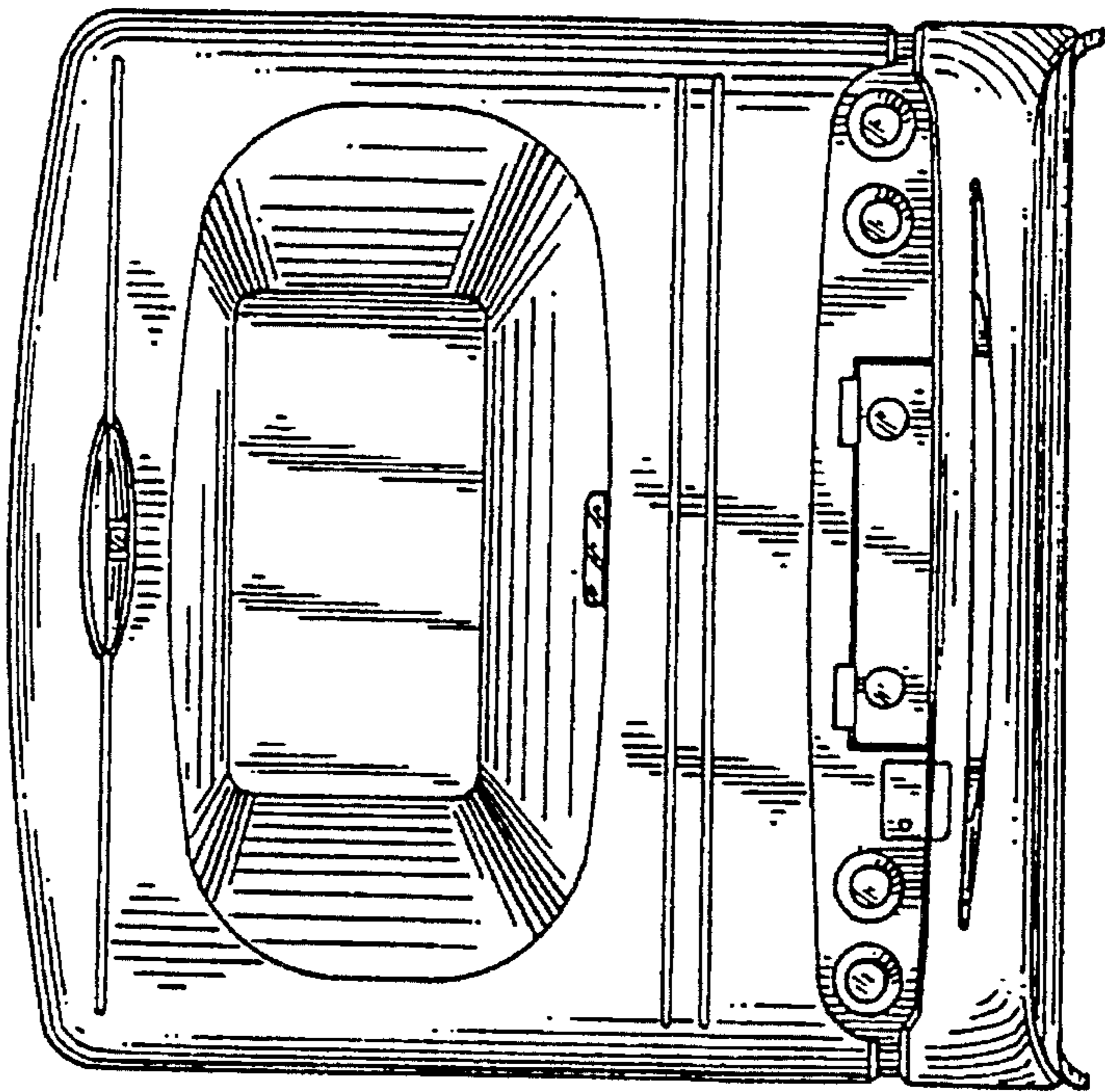


FIG. 4

