



US00D368434S

United States Patent [19]

Dennewill et al.

[11] Patent Number: **Des. 368,434**

[45] Date of Patent: ****Apr. 2, 1996**

[54] CORNEAL TOPOGRAPHER

5,227,818 7/1993 El Hage 351/245

[75] Inventors: **James R. Dennewill**, Lakewood; **Pierre Boisier**, Laguna Hills; **David M. Domash**, Mission Viejo; **Donn D. Lobdell**, Corona Del Mar; **Paul C. Pynckel**, Santa Ana, all of Calif.; **Heather Ready**, Keller, Tex.; **David Weston**, Newport Beach, Calif.

OTHER PUBLICATIONS

Optikon 2000, Keratron Corneal Imaging Analyzer Brochure (1995).
Humphrey Instruments, Mastervue Smart Topography System Brochure (1994).
Topcon, CM-1000 Computerized Corneal Mapping System Brochure (1995).
Tomey, TMS-1 Topographic Modeling System Brochure (1992).

[73] Assignee: **Alcon Laboratories, Inc.**, Fort Worth, Tex.

Primary Examiner—Antoine Duval Davis
Attorney, Agent, or Firm—Jeffrey S. Schira

[**] Term: **14 Years**

[21] Appl. No.: **35,455**

[57] CLAIM

[22] Filed: **Feb. 27, 1995**

The ornamental design for a corneal topographer, as shown and described.

[52] U.S. Cl. **D10/46; D24/174**

[58] Field of Search **D10/46; D24/172; 351/206, 212, 237, 245**

DESCRIPTION

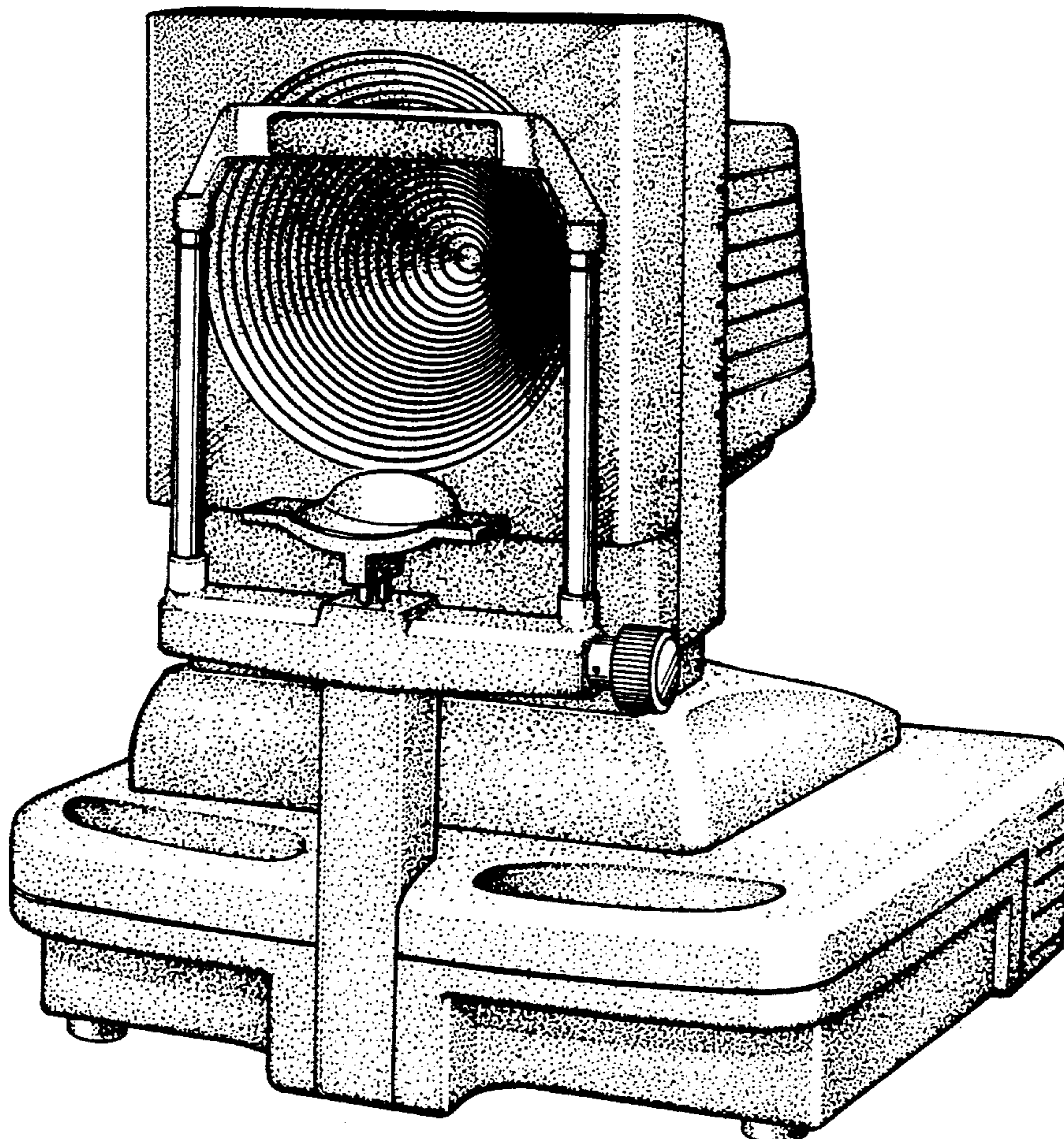
[56] References Cited

FIG. 1 is a perspective view of the present invention showing the front, top and right side; and, FIG. 2 is a perspective view of the present invention showing the rear, top and left side.

U.S. PATENT DOCUMENTS

D. 320,077 9/1991 Koizumi D24/172
5,056,522 10/1991 Matsumura et al. 351/212 X

1 Claim, 2 Drawing Sheets



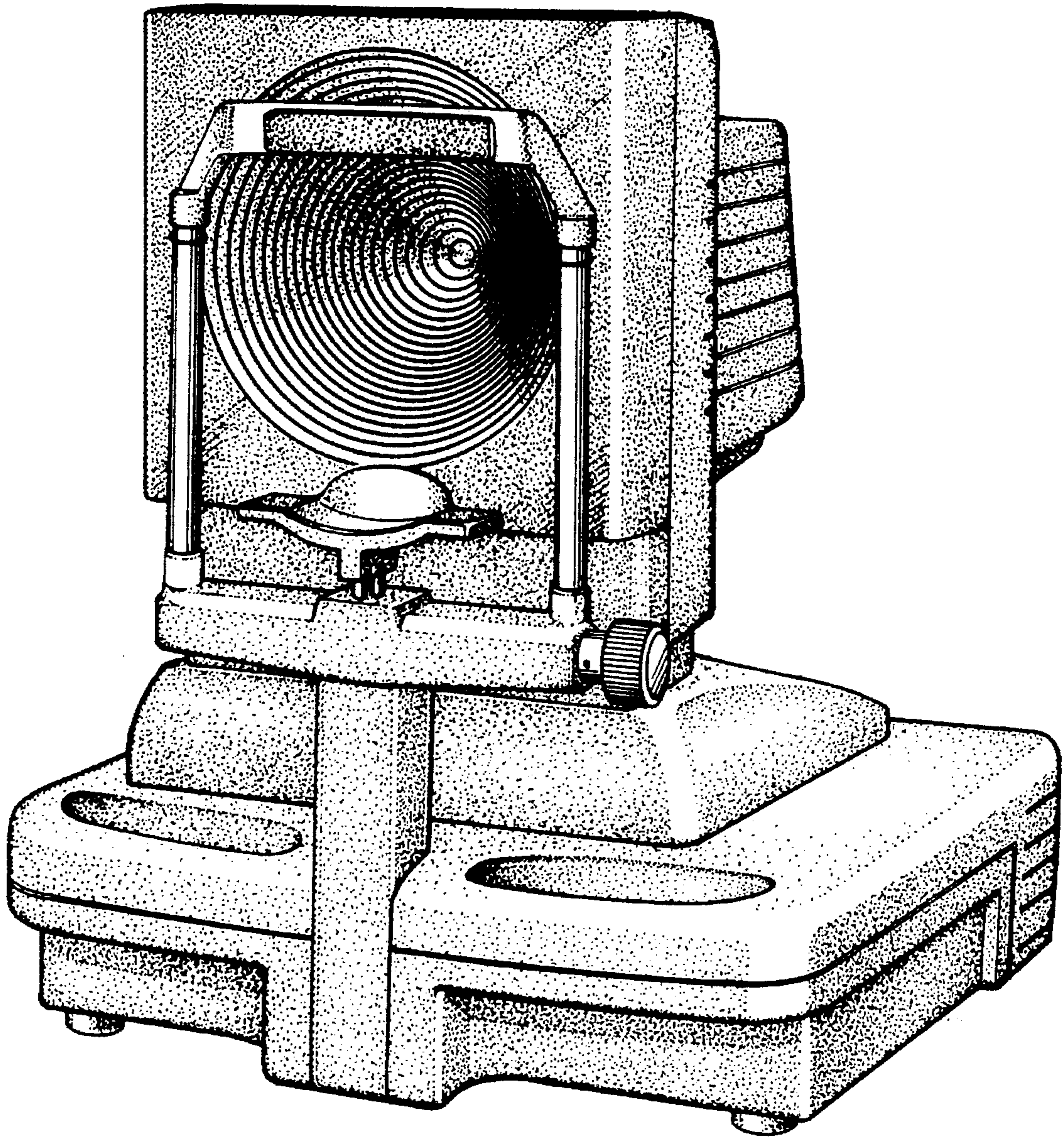


FIG 1

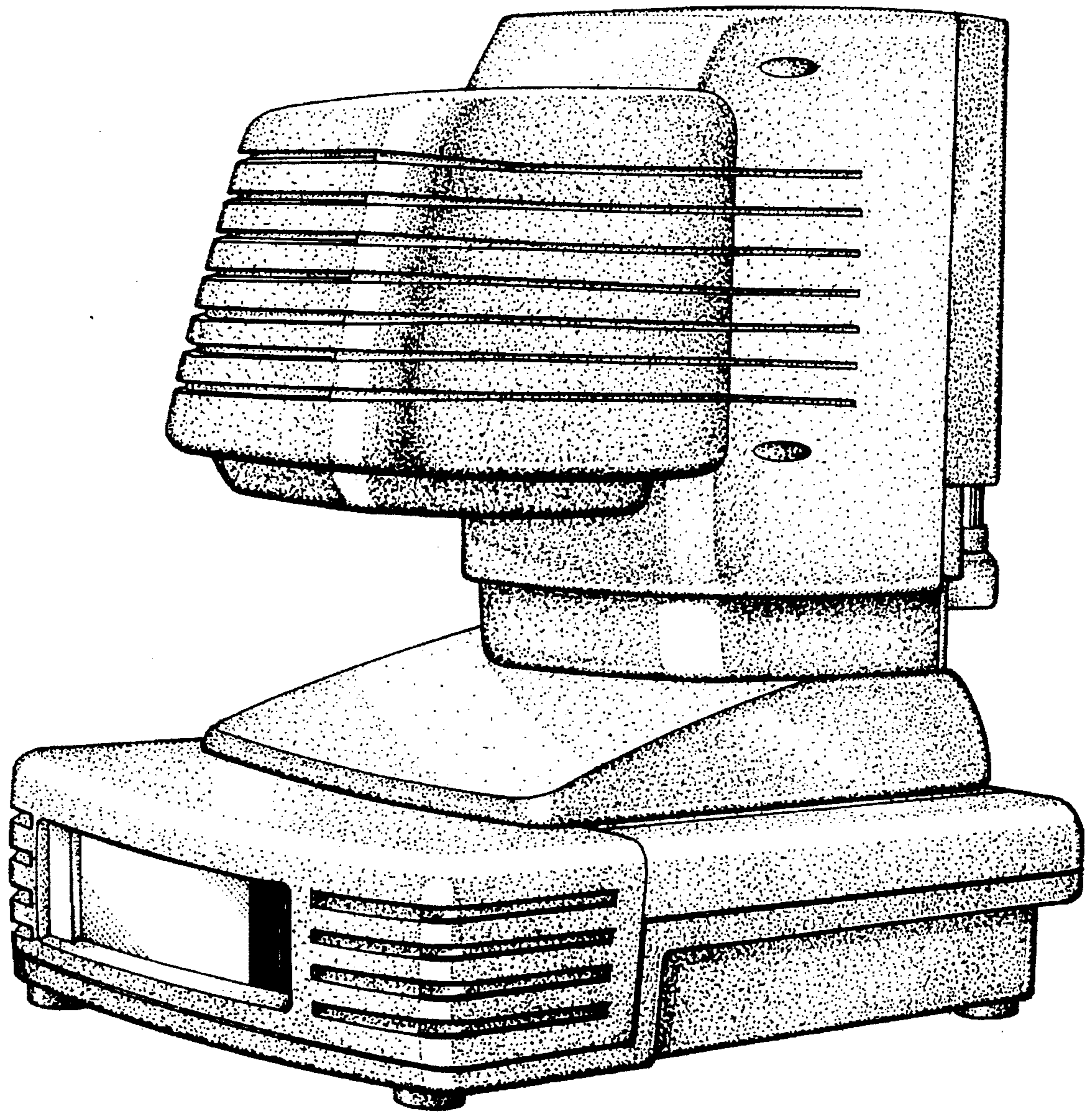


FIG 2