



US00D368433S

United States Patent [19]
Schulze

[11] **Patent Number: Des. 368,433**
[45] **Date of Patent: **Apr. 2, 1996**

[54] **WATCH**

[75] Inventor: **Stefan Schulze**, Barsinghausen,
Germany

[73] Assignee: **Junghans Uhren GmbH**, Schramberg,
Germany

[**] Term: **14 Years**

[21] Appl. No.: **18,996**

[22] Filed: **Jan. 10, 1994**

[30] **Foreign Application Priority Data**

Jul. 9, 1993 [DE] Germany M 93 05 293.6

[52] **U.S. Cl.** **D10/39; D10/30**

[58] **Field of Search** **D10/1-40, 122-132;**
368/280-282, 276-277, 285

[56] **References Cited**

U.S. PATENT DOCUMENTS

D. 303,091	8/1989	Goto	D10/39 X
D. 311,342	10/1990	Houlihan	D10/30
D. 327,445	6/1992	Fujihara	D10/39
D. 348,010	6/1994	Riley	D10/30
D. 350,072	8/1994	Hitter	D10/32

OTHER PUBLICATIONS

Bloomindale's by Mail ©1988—"Men On Location"—back cover—Watch E at center.

European Jeweler (G.Z.)—Jun. 1985—p. 30—Watches at middle.

European Jeweler—Jun. 1988—p. 42—Watches at top.

Swiss Watch & Jewelry Journal—Feb. 1987—p. 618—Watch.

Primary Examiner—Nelson C. Holtje

Attorney, Agent, or Firm—Shlesinger, Arkwright & Garvey

[57] **CLAIM**

The ornamental design for the watch, as shown and described.

DESCRIPTION

FIG. 1 is a front perspective view of a watch showing my new design with a plain surface;

FIG. 2 is a front elevational view of another embodiment of my new design of FIG. 1 with a textured surface;

FIG. 3 is a rear elevational view of FIG. 2;

FIG. 4 is a left side elevational view of FIG. 2;

FIG. 5 is a right side elevational view of FIG. 2; and,

FIG. 6 is a front perspective view of FIG. 2.

1 Claim, 1 Drawing Sheet

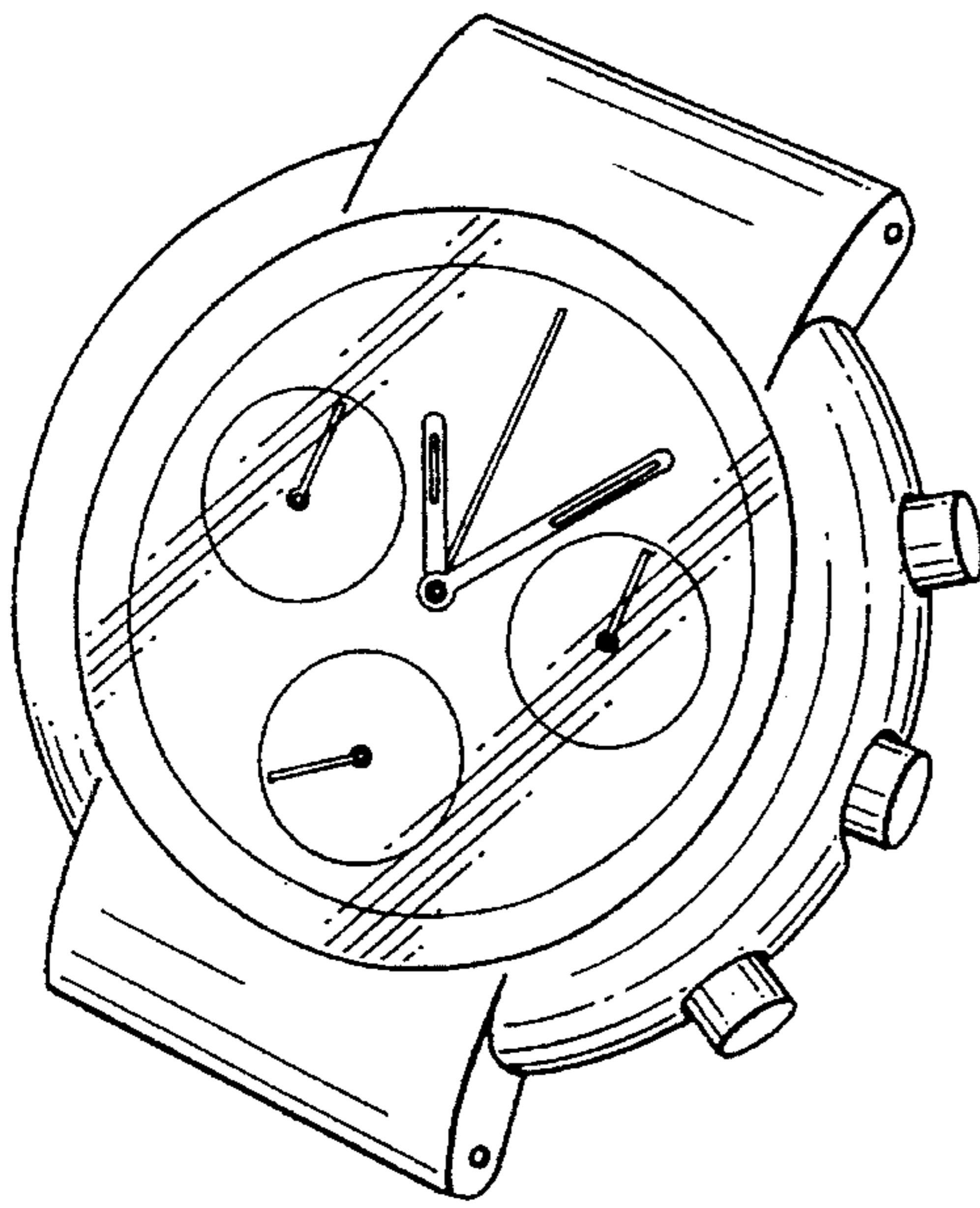


FIG. 1

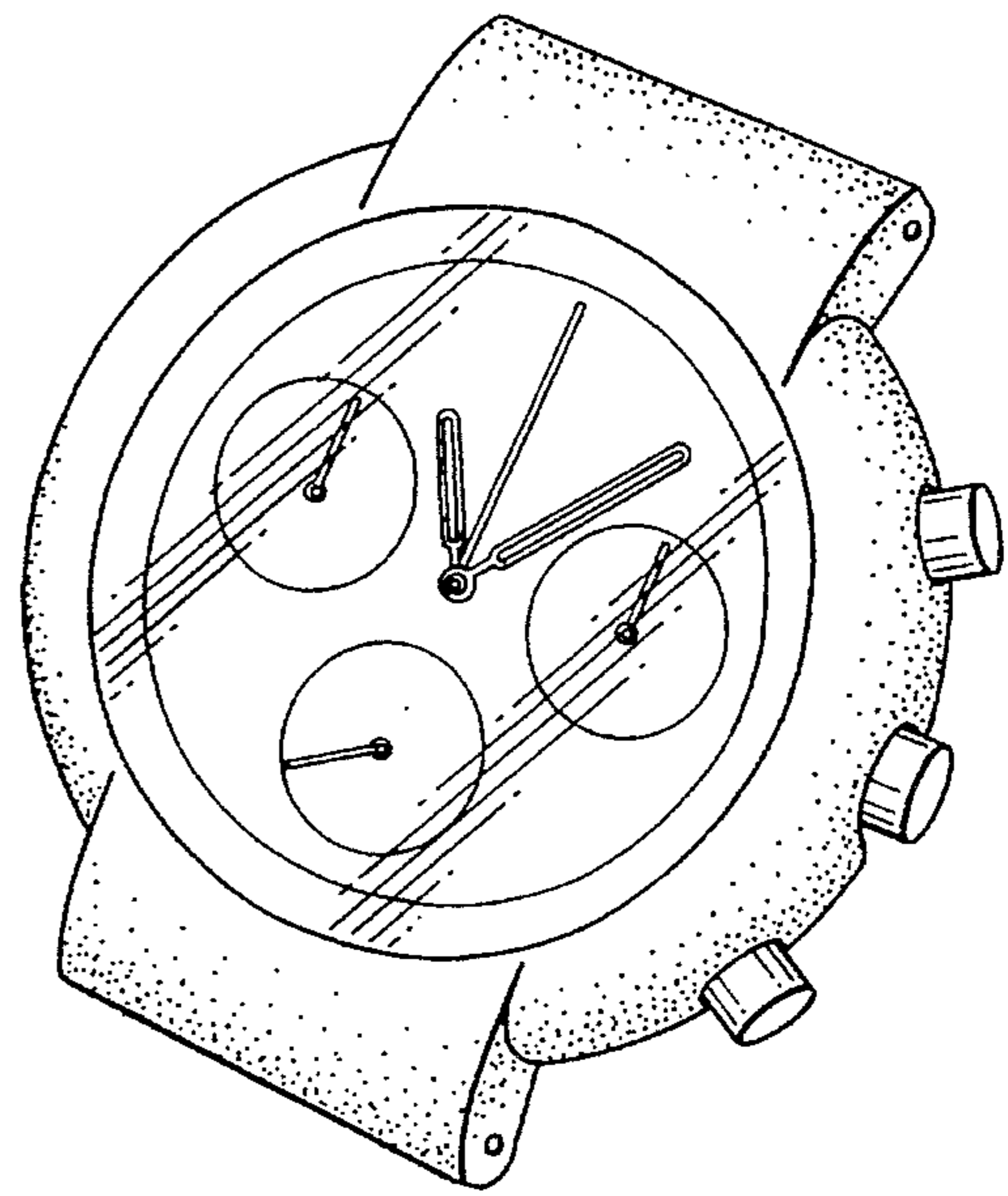


FIG. 6

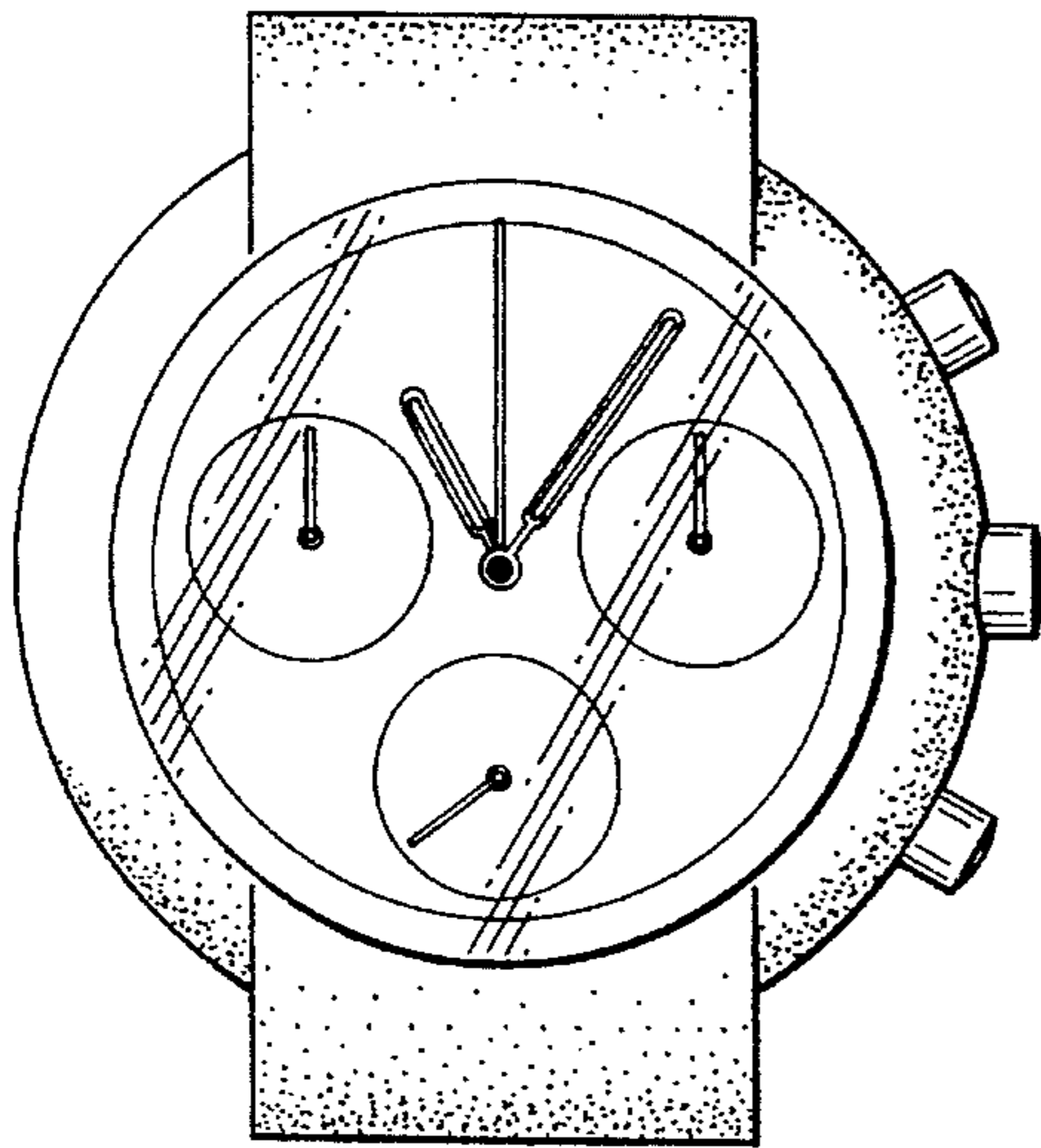


FIG. 2

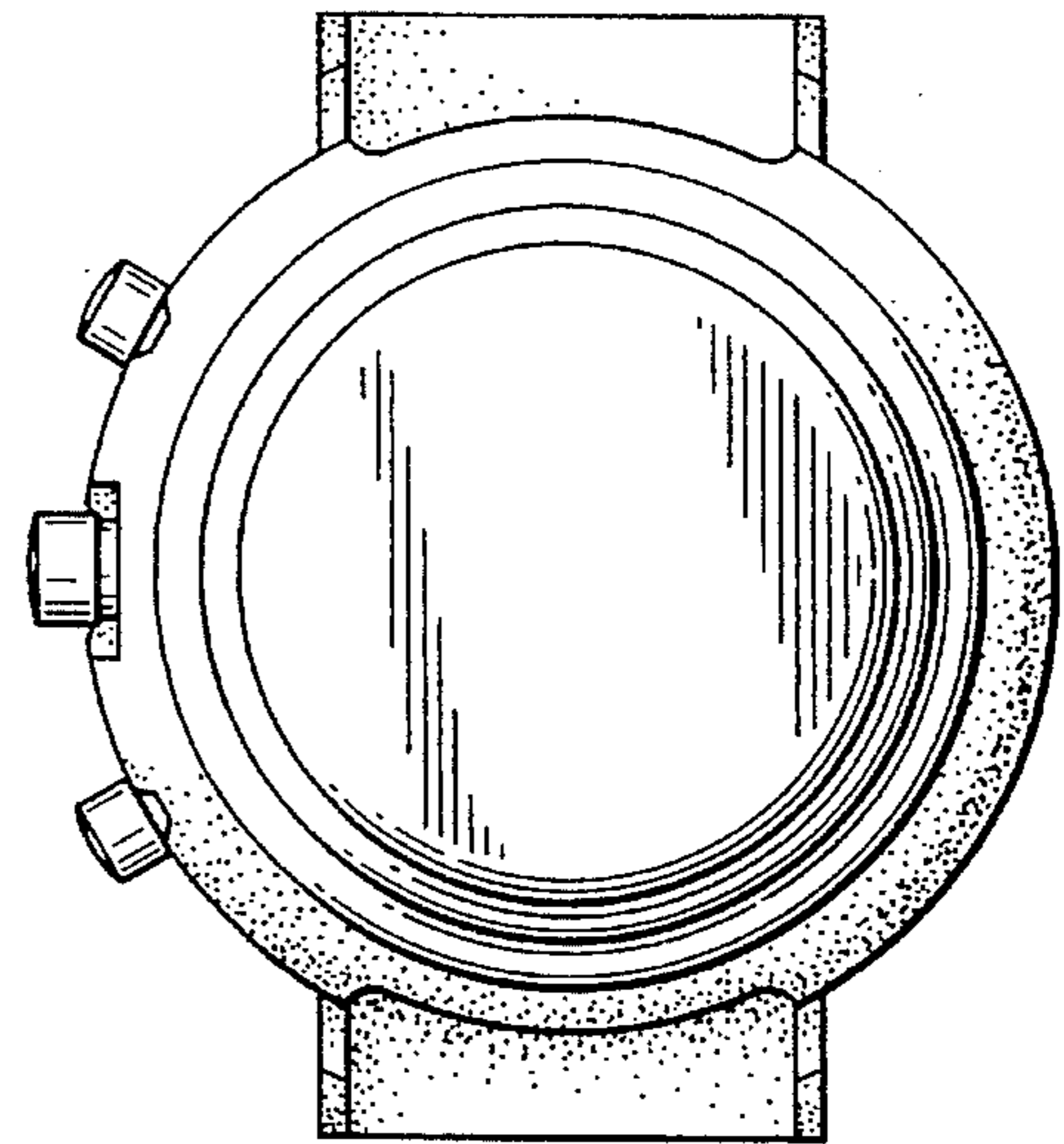


FIG. 3

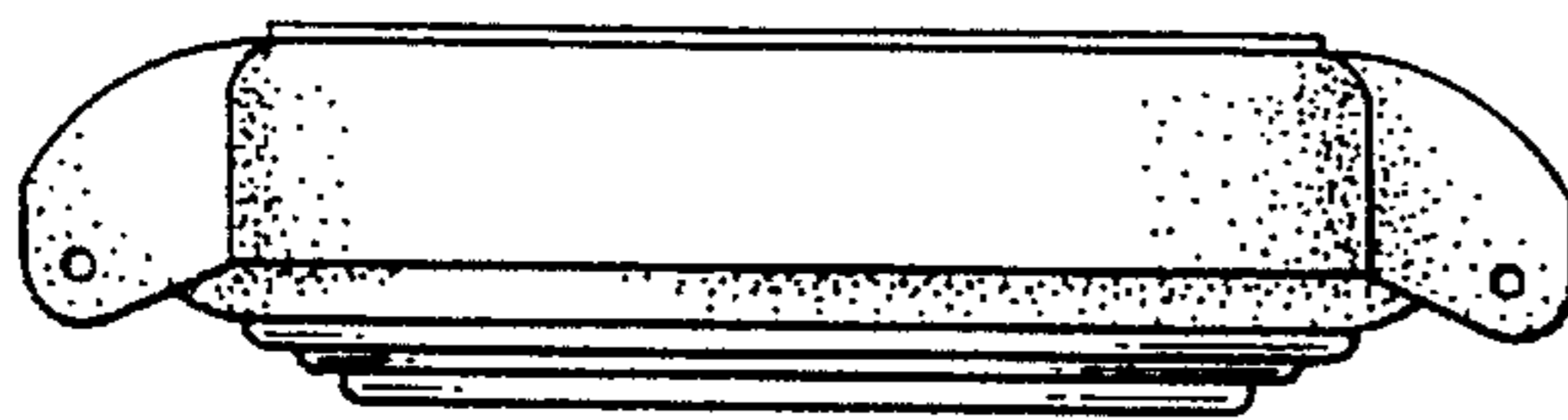


FIG. 4

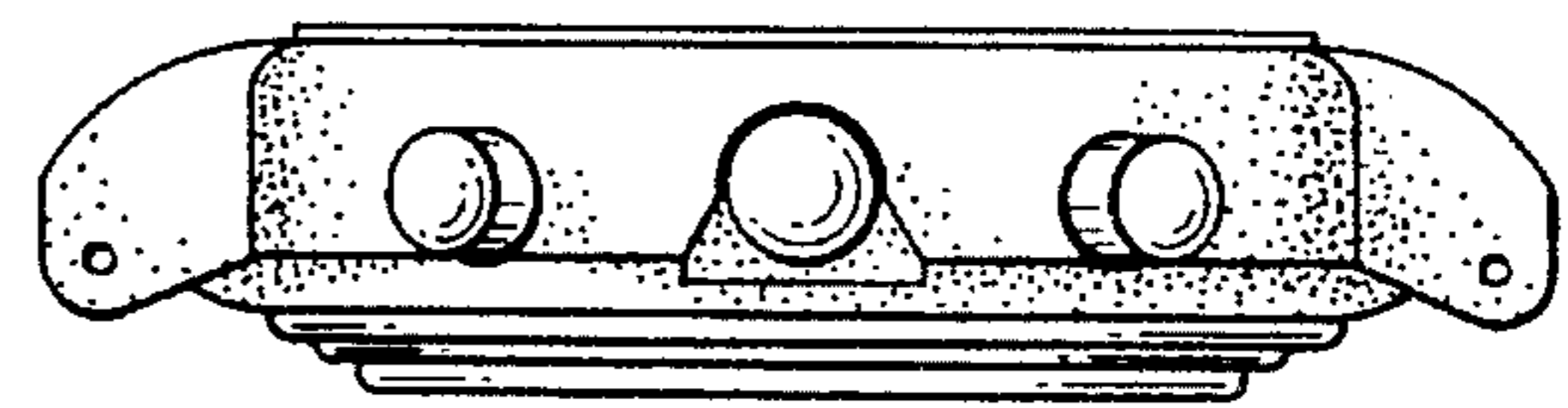


FIG. 5