



US00D368430S

United States Patent [19] Herzog

[11] Patent Number: **Des. 368,430**

[45] Date of Patent: ****Apr. 2, 1996**

[54] **MOLDED PLASTIC JEWELRY BOX**

[76] Inventor: **Jack L. Herzog**, 5702 Durocher St.,
Montreal, Canada, H2V 3Y2

[**] Term: **14 Years**

[21] Appl. No.: **27,891**

[22] Filed: **Aug. 31, 1994**

[52] U.S. Cl. **D9/431**

[58] Field of Search D9/418, 423, 430-433;
D28/78; 206/45.34, 434, 493, 497, 524.3,
560, 566

[56] References Cited

U.S. PATENT DOCUMENTS

D. 214,132	5/1969	Niemoller	D9/431 X
D. 244,122	4/1977	Shiffman	D9/423
D. 244,123	4/1977	Shiffman	D9/423
D. 259,398	6/1981	Shiffman	D9/423
D. 259,399	6/1981	Shiffman	D9/423
3,197,166	7/1965	Sandler	206/566
5,040,674	8/1991	Bragin et al.	206/45.34

OTHER PUBLICATIONS

Hong Kong Enterprise Jun. 1993, p. 151, PE-5B Jewelry Box.

Hong Kong Enterprise Jun. 1993, p. 209, PP-2 Jewelry Box.

Primary Examiner—Ted Shooman

Assistant Examiner—Nanda Bondade

Attorney, Agent, or Firm—Pollock, Vande Sande & Priddy

[57] CLAIM

The ornamental design for a molded plastic jewelry box, as shown and described.

DESCRIPTION

FIG. 1 is a perspective view of a molded plastic jewelry box showing my new design;

FIG. 2 is a front elevational view thereof, the rear view being identical;

FIG. 3 is a side elevational view thereof, the opposite side being identical;

FIG. 4 is a perspective view thereof in unassembled condition;

FIG. 5 is a top view thereof; and,

FIG. 6 is a bottom view thereof.

1 Claim, 1 Drawing Sheet

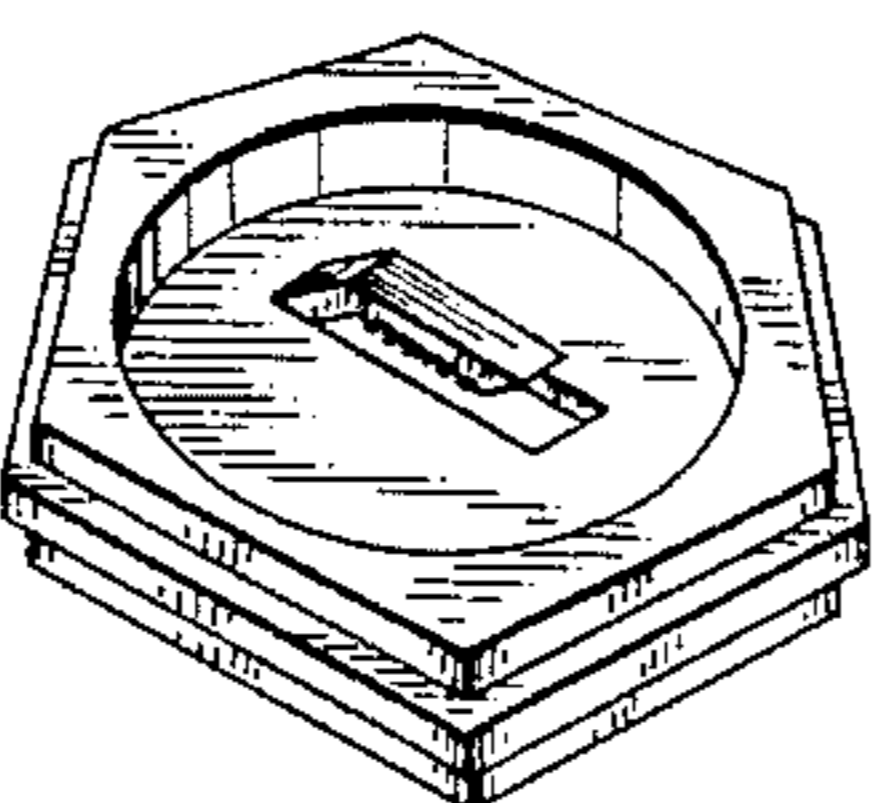
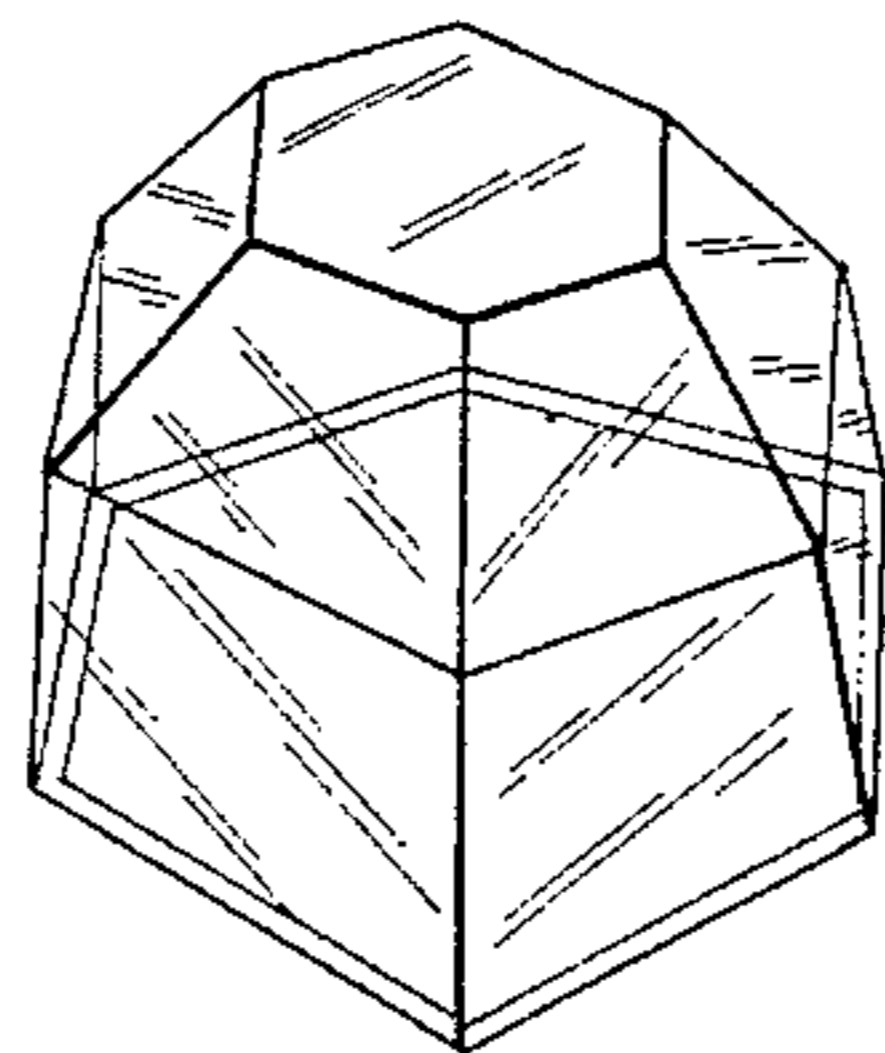
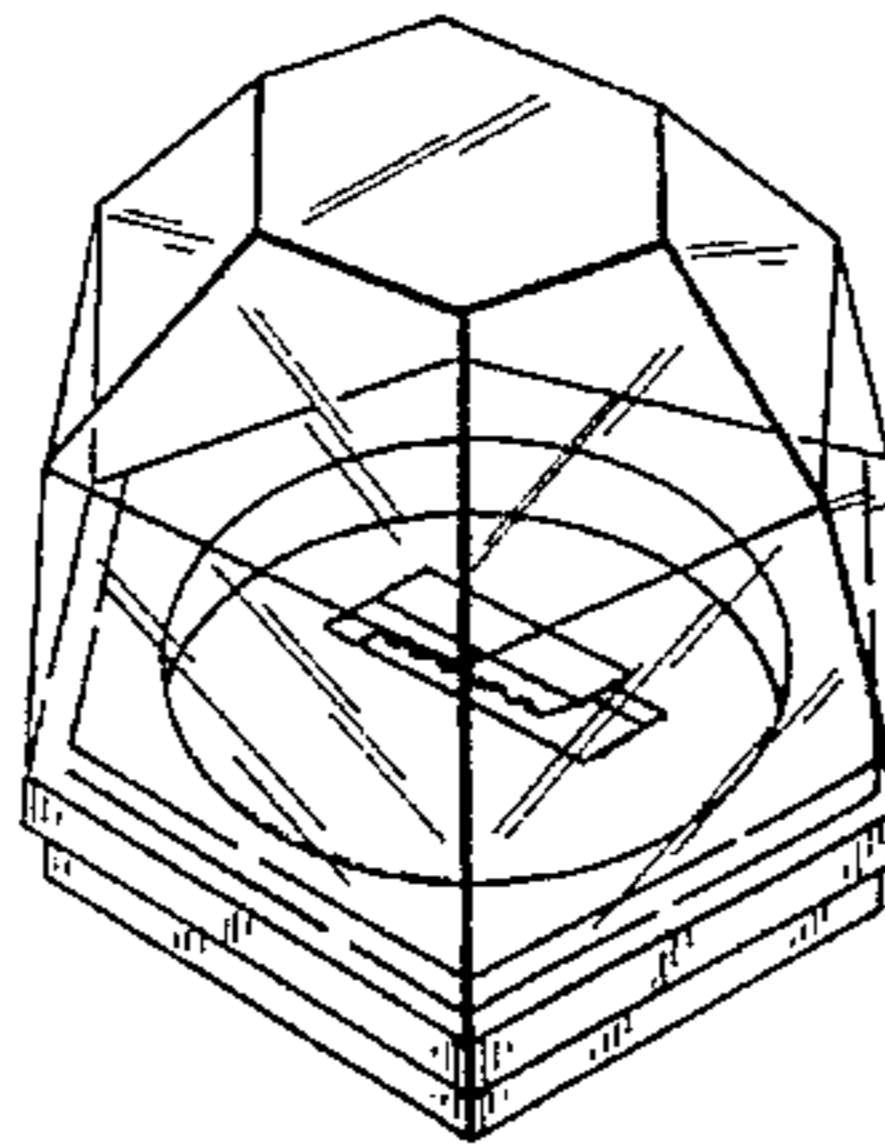


FIG. 1

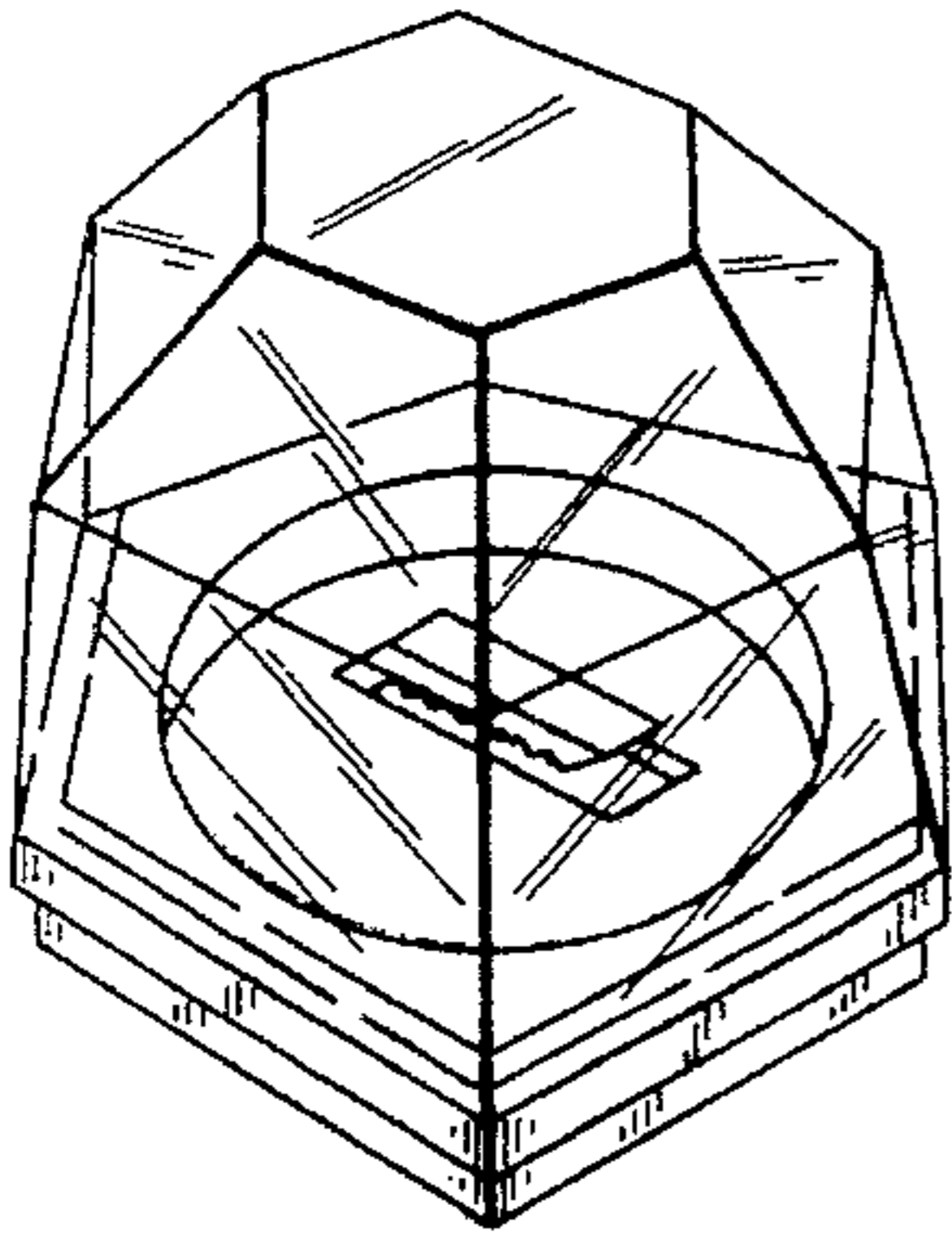


FIG. 2

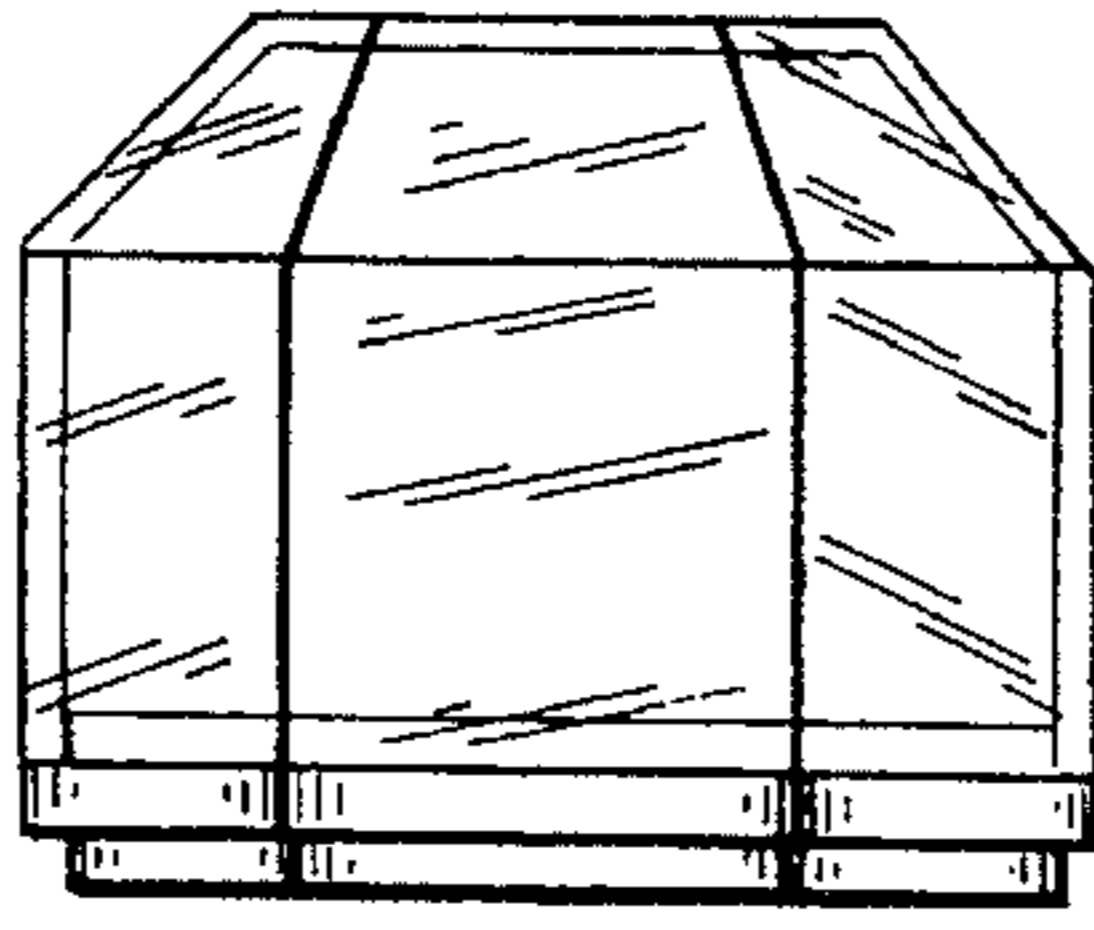


FIG. 3

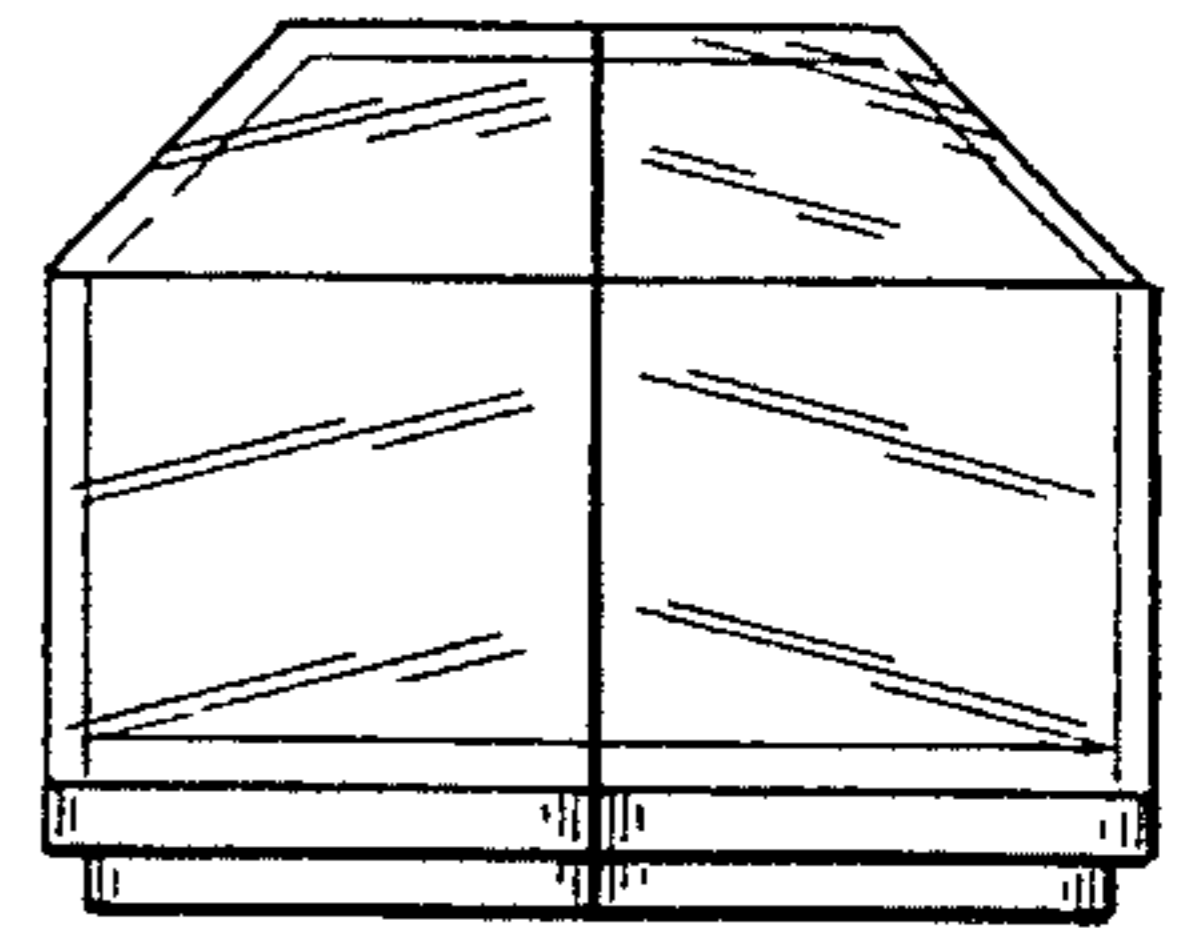


FIG. 4

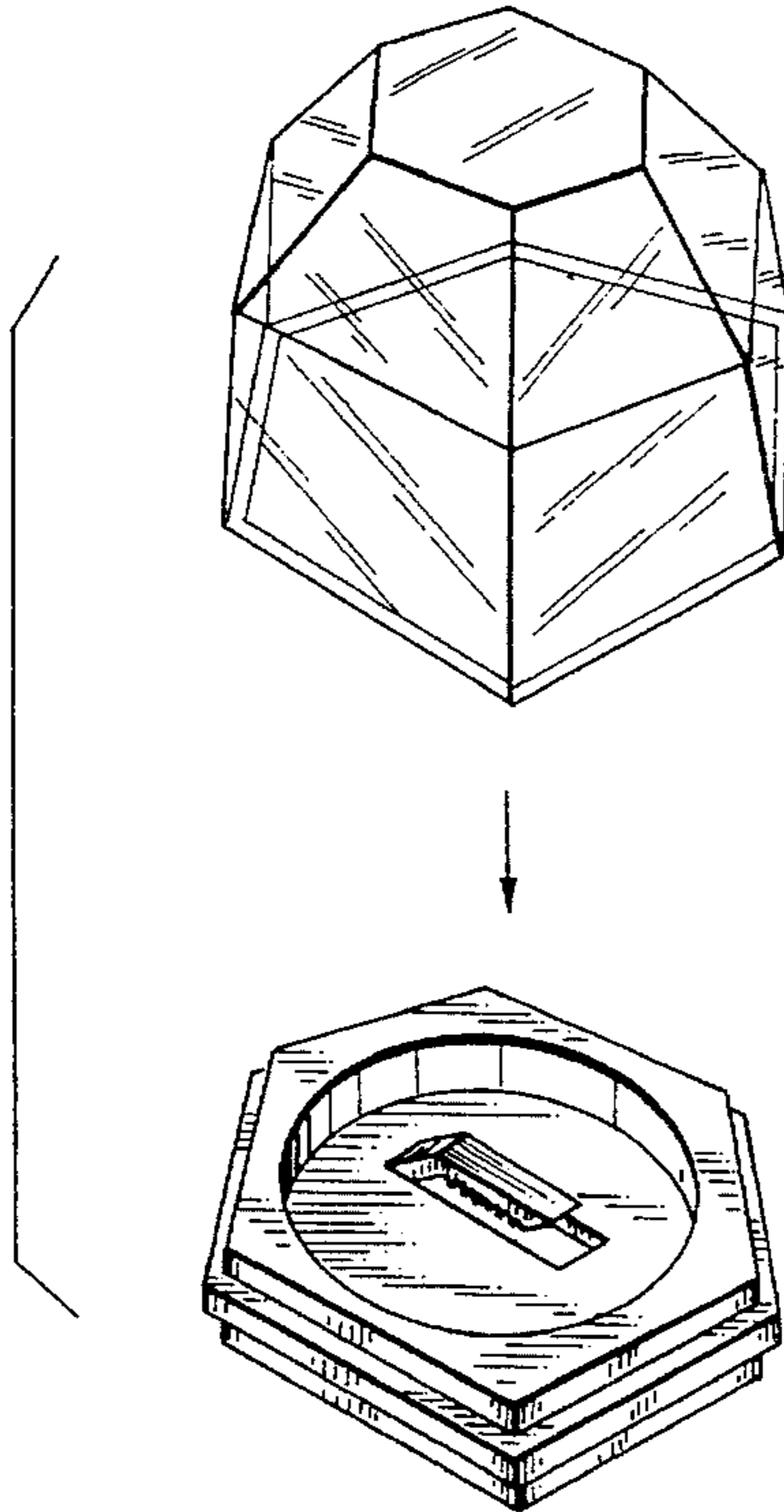


FIG. 5

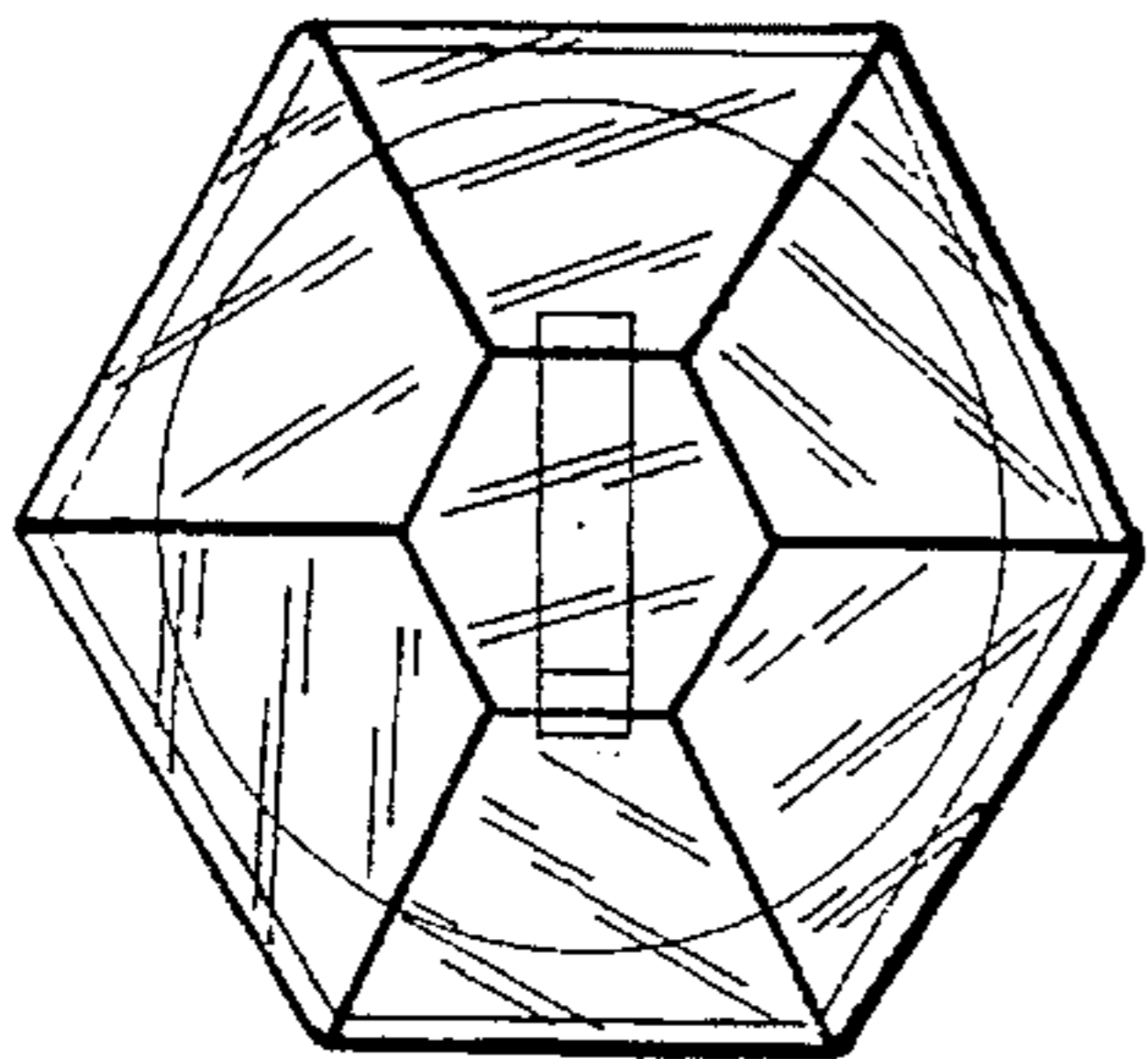


FIG. 6

