



US00D368429S

United States Patent [19]
Serio, Jr.

[11] **Patent Number: Des. 368,429**
[45] **Date of Patent: **Apr. 2, 1996**

[54] **ELECTRONIC EQUIPMENT CONTAINER**

DESCRIPTION

[75] Inventor: **Donald Serio, Jr.**, Covina, Calif.
[73] Assignee: **Serco Mold, Inc.**, Covina, Calif.
[**] Term: **14 Years**
[21] Appl. No.: **12,212**
[22] Filed: **Aug. 9, 1993**
[52] U.S. Cl. **D9/431**
[58] **Field of Search** D9/430, 431, 432,
D9/346, 347, 337, 314; 206/45.14, 328,
334, 524.6; 220/4.02, 376, 334, 337; 229/110,
108, 8

FIG. 1 is a perspective view of an electronic equipment container showing my new design;
FIG. 2 is a left side elevational view thereof; the right side elevational view being a mirror image thereof;
FIG. 3 is a top plan view thereof;
FIG. 4 is a bottom plan view thereof;
FIG. 5 is a front elevational view thereof; the rear side elevational view being a mirror image thereof;
FIG. 6 is a perspective view of a first embodiment of FIG. 1;
FIG. 7 is a left side elevational view of FIG. 6; the right side elevational view being a mirror image thereof;
FIG. 8 is a top plan view of FIG. 6;
FIG. 9 is a bottom plan view of FIG. 6;
FIG. 10 is a front elevational view of FIG. 6; the rear elevational view being a mirror image thereof;
FIG. 11 is a perspective view of a second embodiment of FIG. 1;
FIG. 12 is a left side elevational view of FIG. 11; the right side elevational view being a mirror image thereof;
FIG. 13 is a top plan view of FIG. 11;
FIG. 14 is a bottom plan view of FIG. 11;
FIG. 15 is a front elevational view of FIG. 11; the rear elevational view being a mirror image thereof;
FIG. 16 is a perspective view of a third embodiment of FIG. 1;
FIG. 17 is a left side elevational view of FIG. 16; the right side elevational view being a mirror image thereof;
FIG. 18 is a top plan view of FIG. 16;
FIG. 19 is a bottom plan view of FIG. 16; and,
FIG. 20 is a front elevational view of FIG. 16; the rear elevational view being a mirror image thereof.

[56] **References Cited**

U.S. PATENT DOCUMENTS

D. 7,109	1/1874	Whiteman	D9/430
D. 97,302	10/1935	Parness et al.	D9/423
D. 107,151	11/1937	Helleu	D9/431
D. 298,412	11/1988	Ciuba	D9/430
3,084,843	4/1963	Urban	229/110 X
4,343,428	8/1982	Persson	229/110 X

OTHER PUBLICATIONS

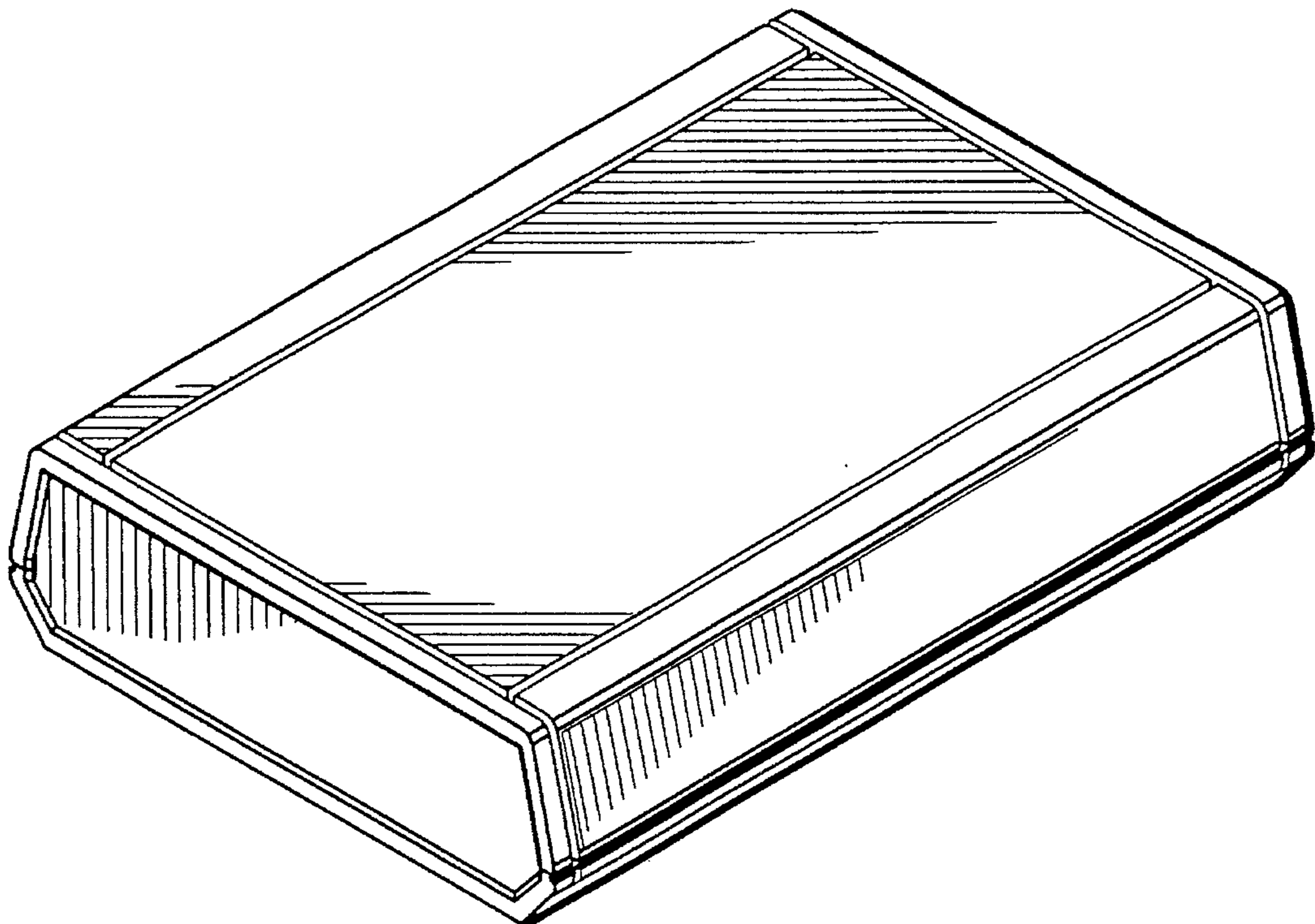
Packaging, 1959 Catalog, p. 177, Item #557.

Primary Examiner—Prabhakar G. Deshmukh
Attorney, Agent, or Firm—Robert J. Schaap

[57] **CLAIM**

The ornamental design for an electronic equipment container, as shown and described.

1 Claim, 8 Drawing Sheets



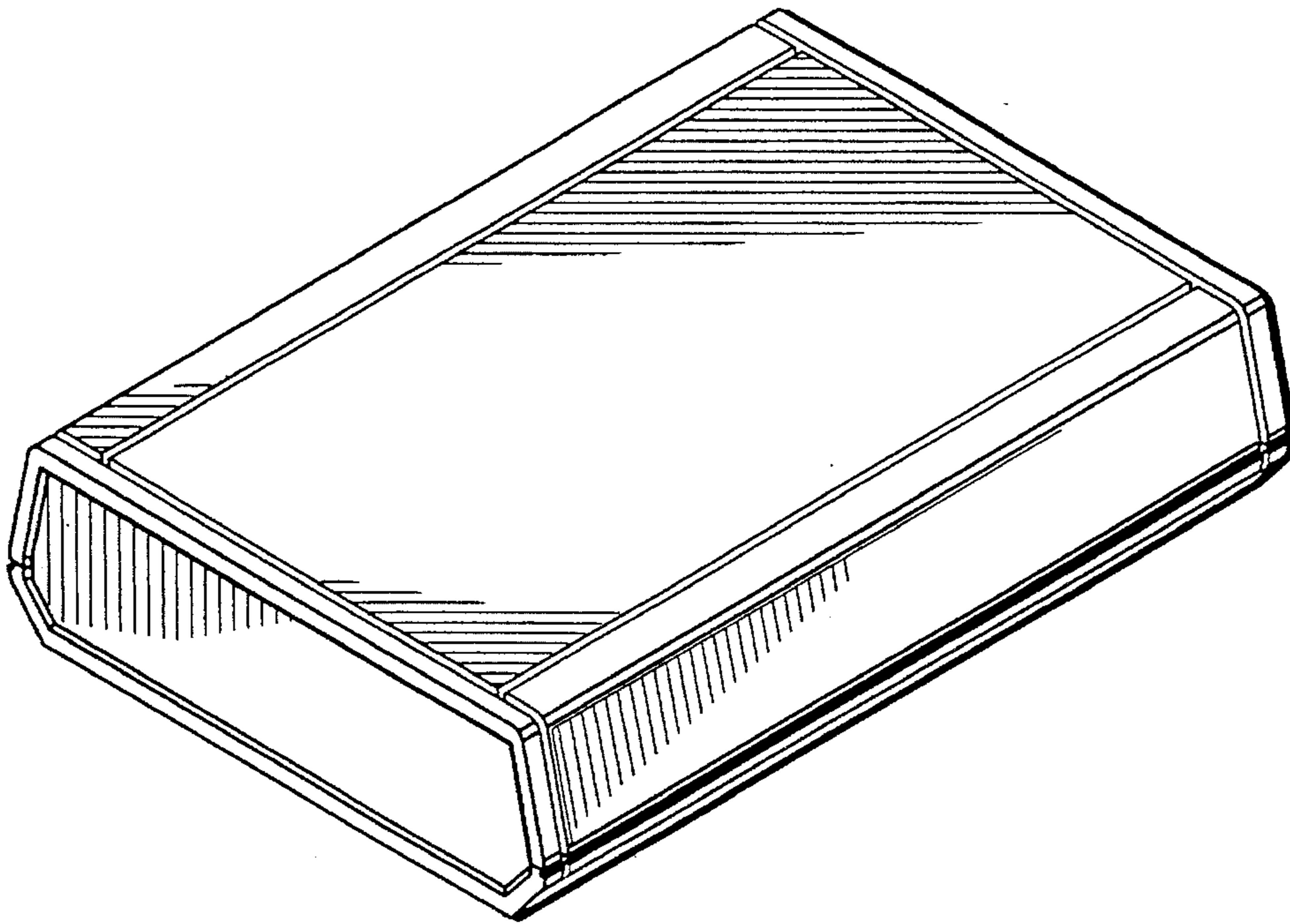


FIG. 1

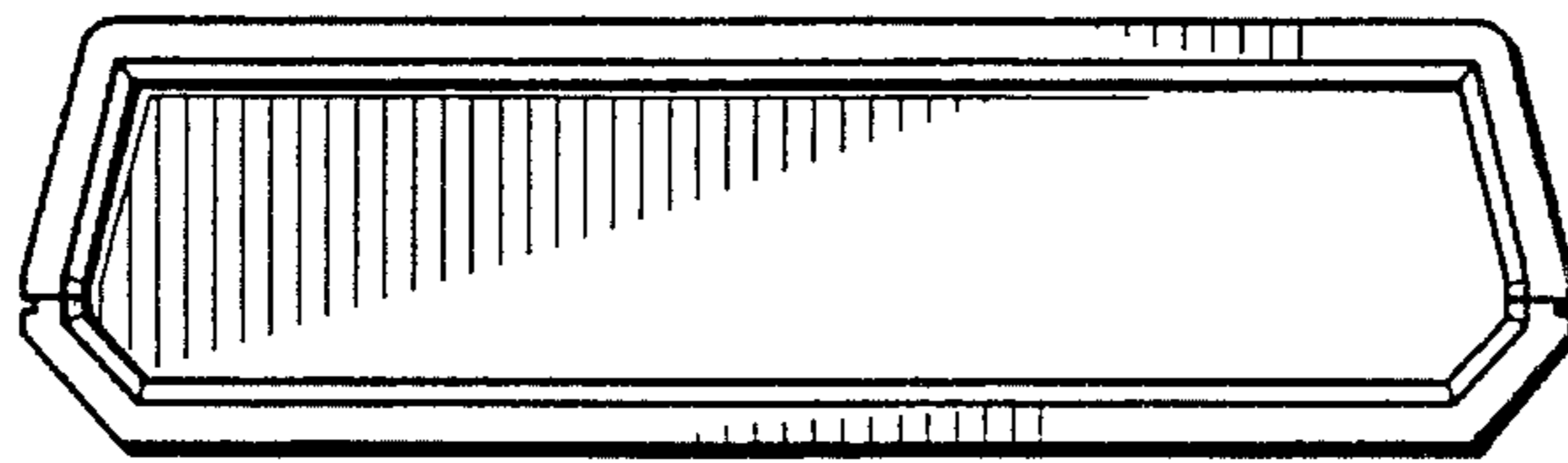


FIG. 2

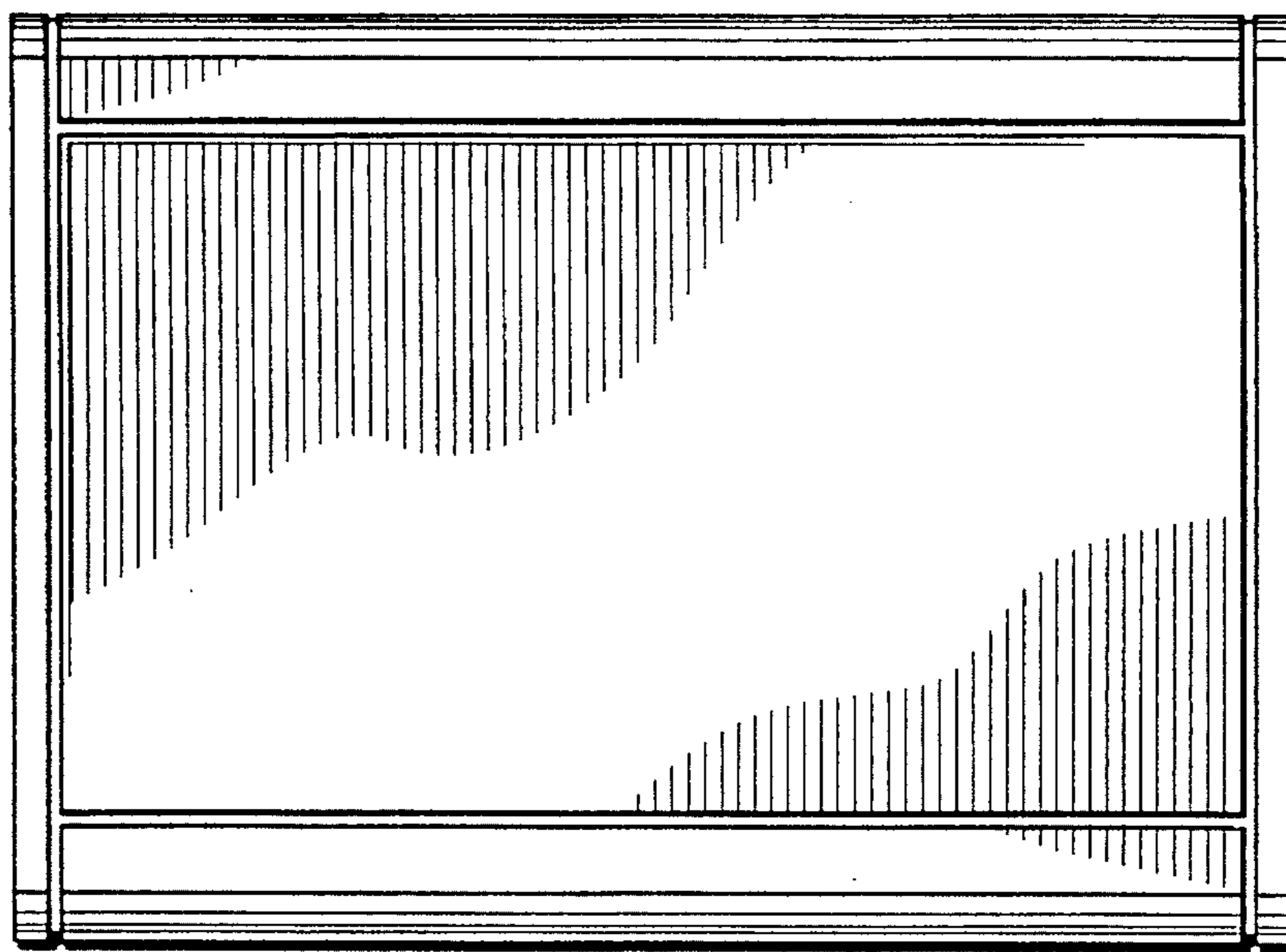


FIG. 3

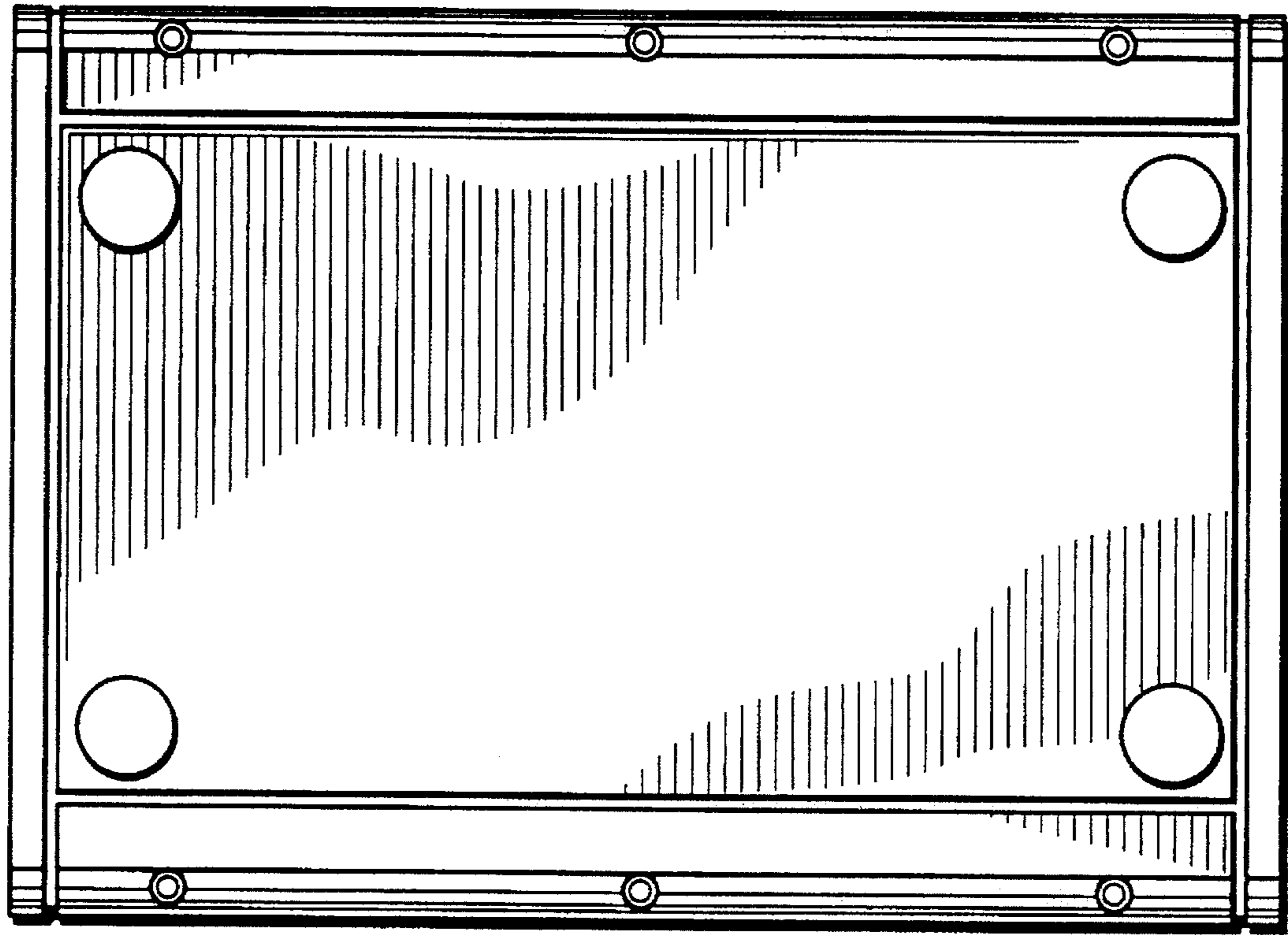


FIG. 4

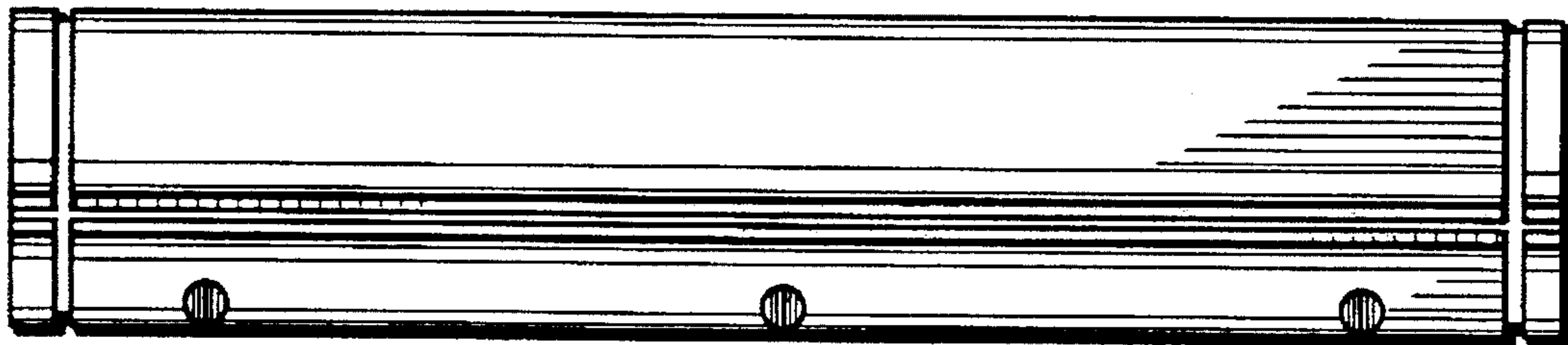


FIG. 5

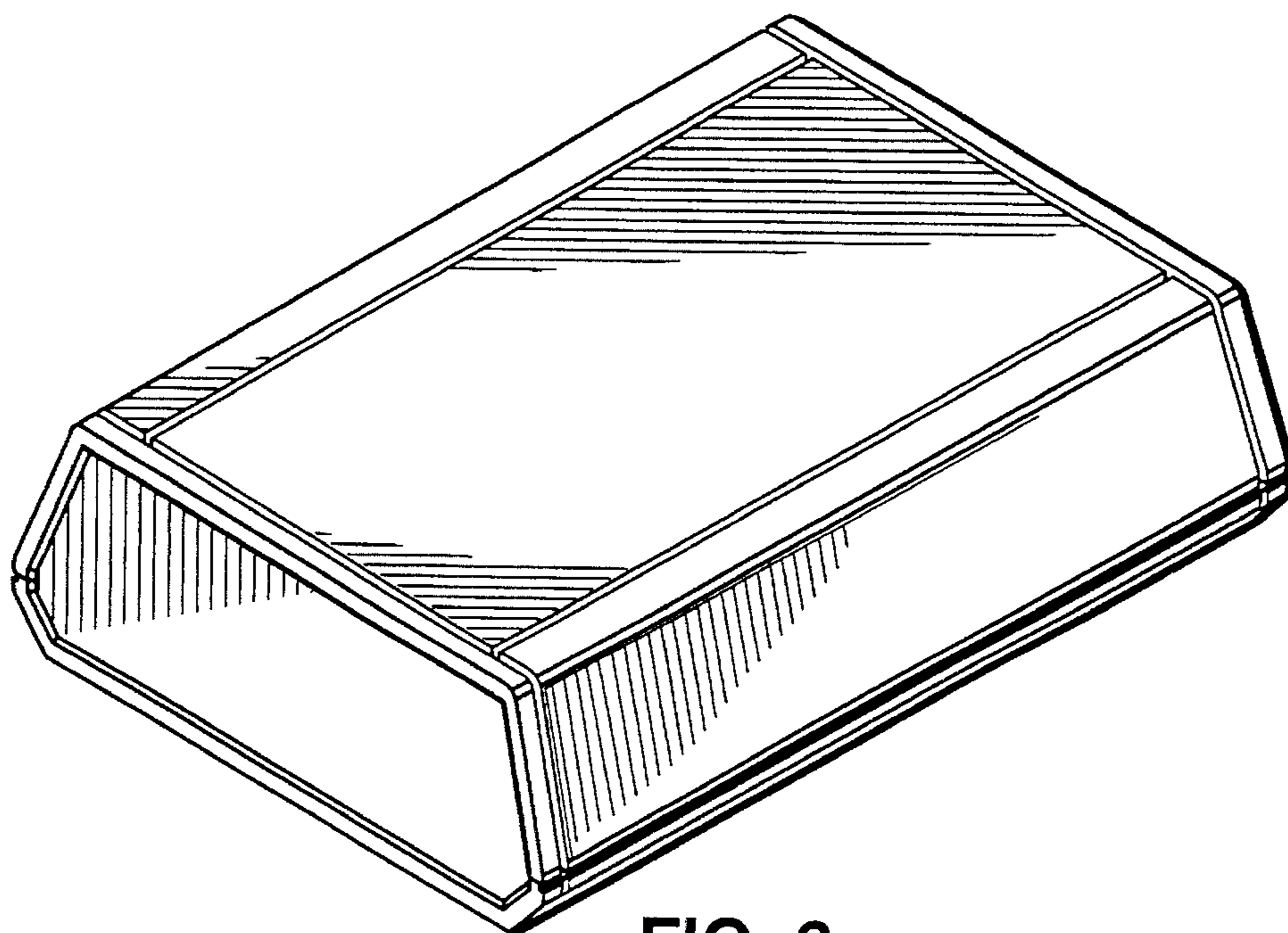


FIG. 6

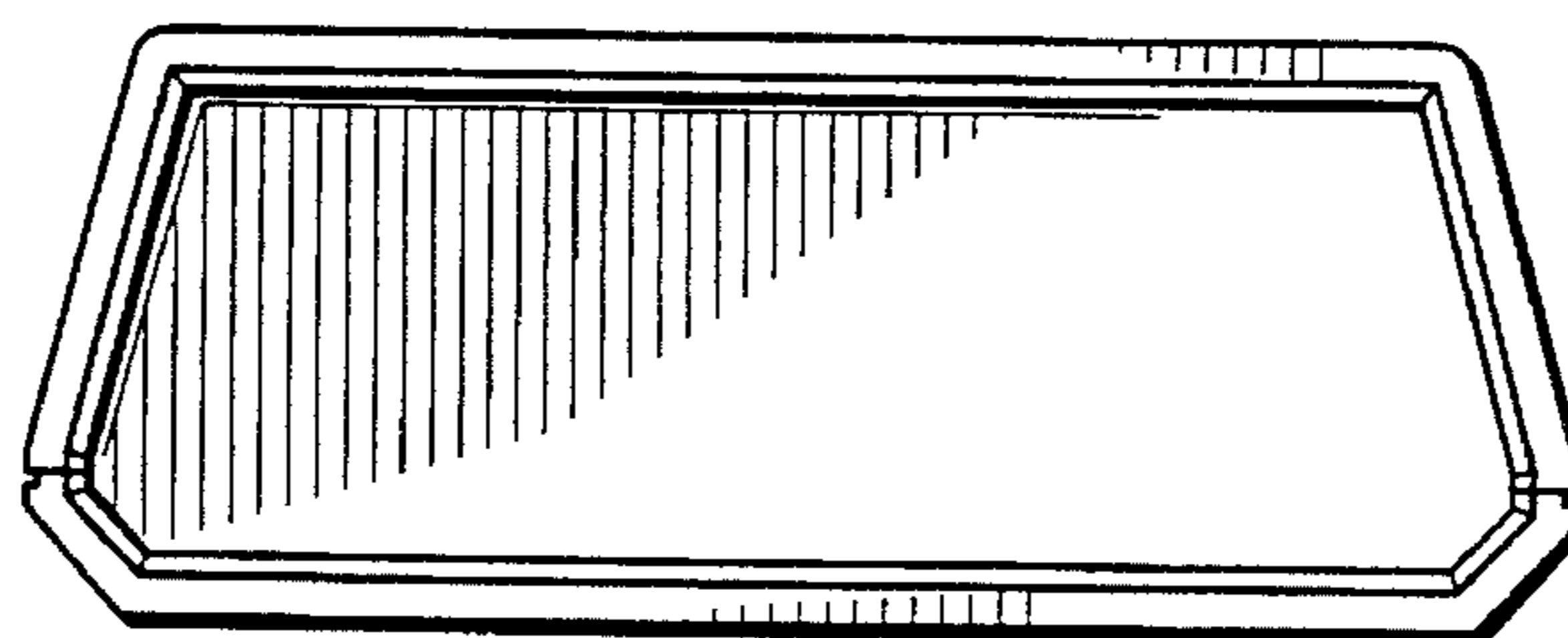


FIG. 7

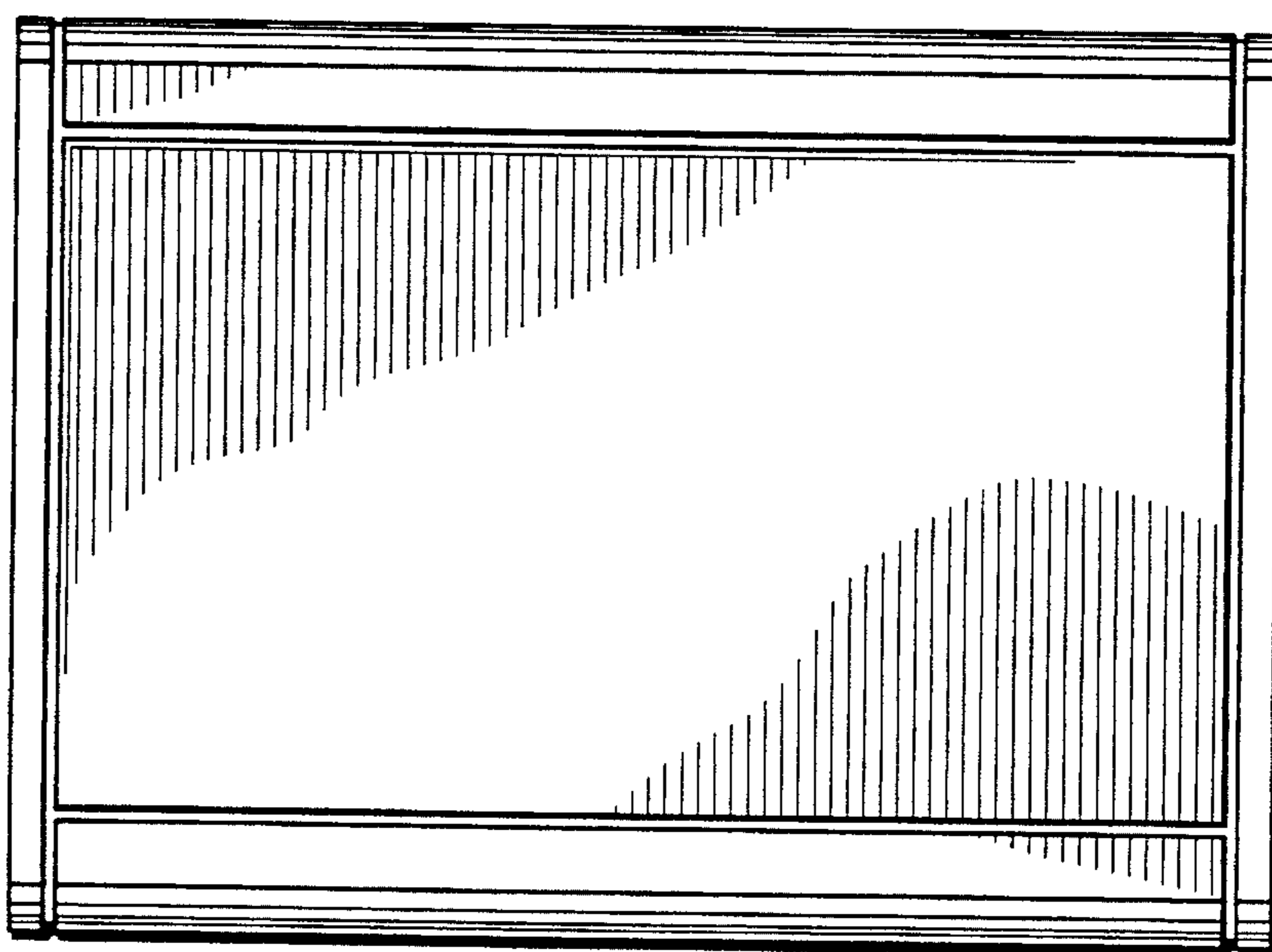


FIG. 8

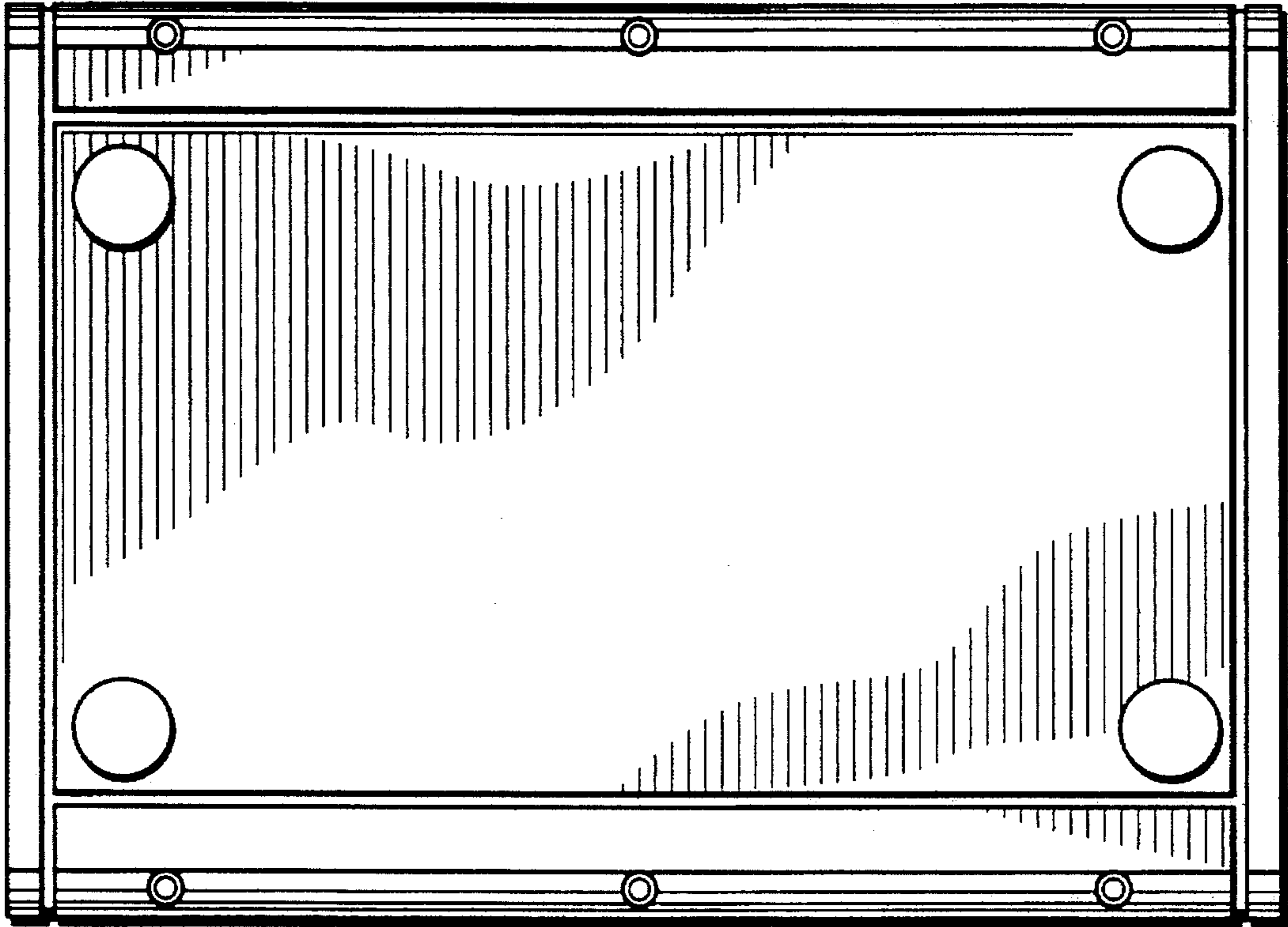


FIG. 9

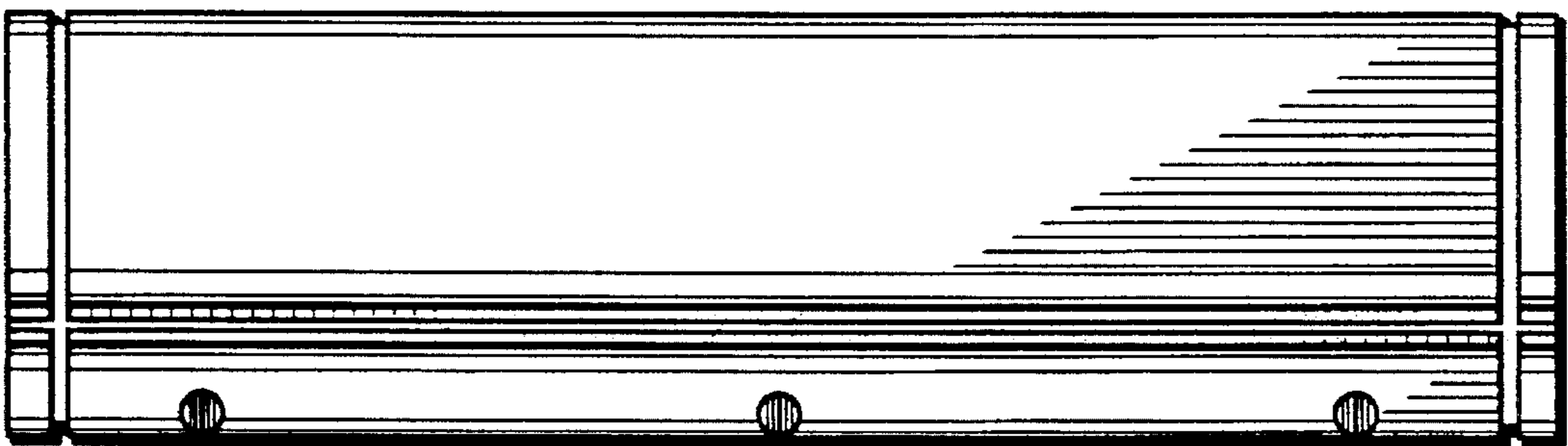


FIG. 10

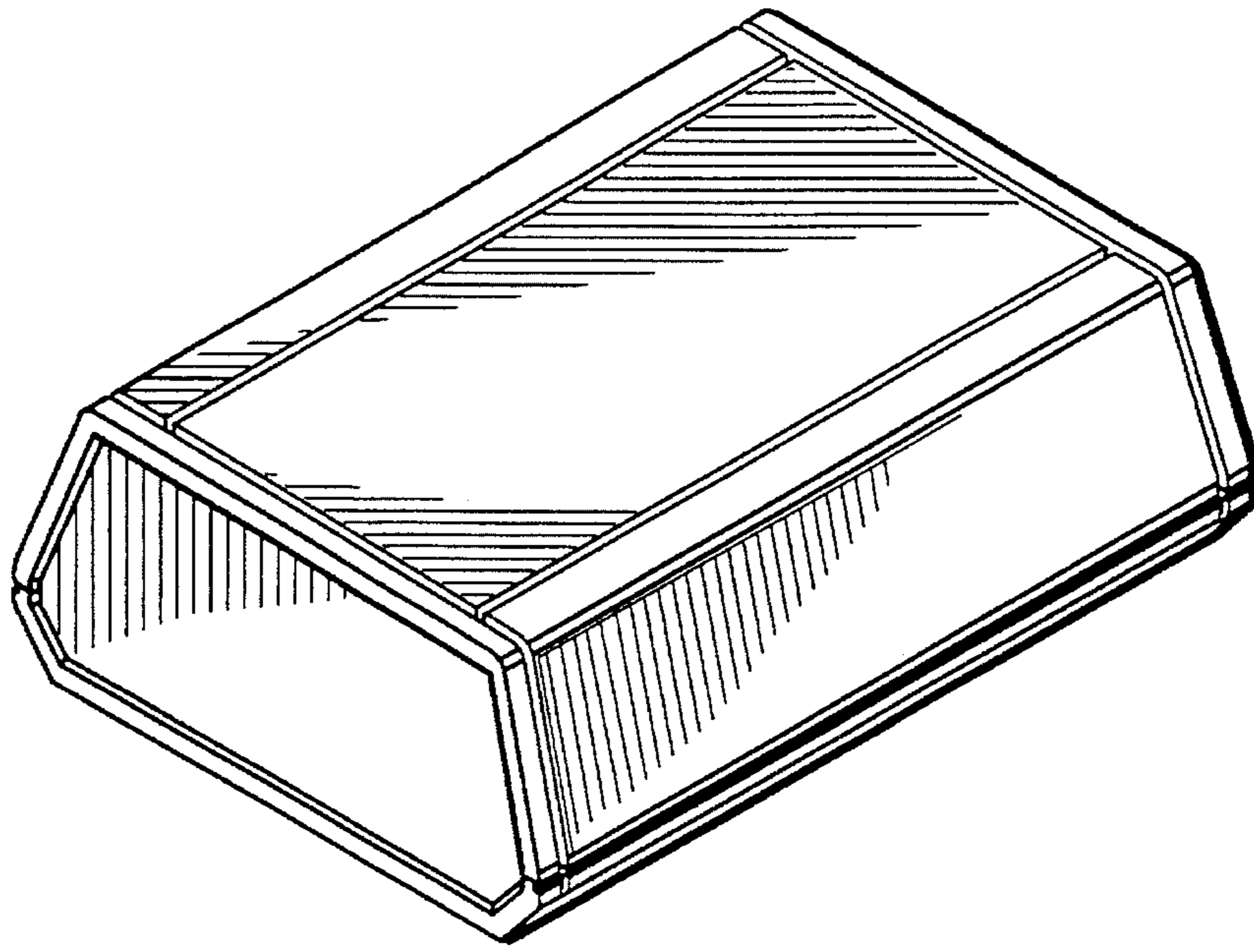


FIG. 11

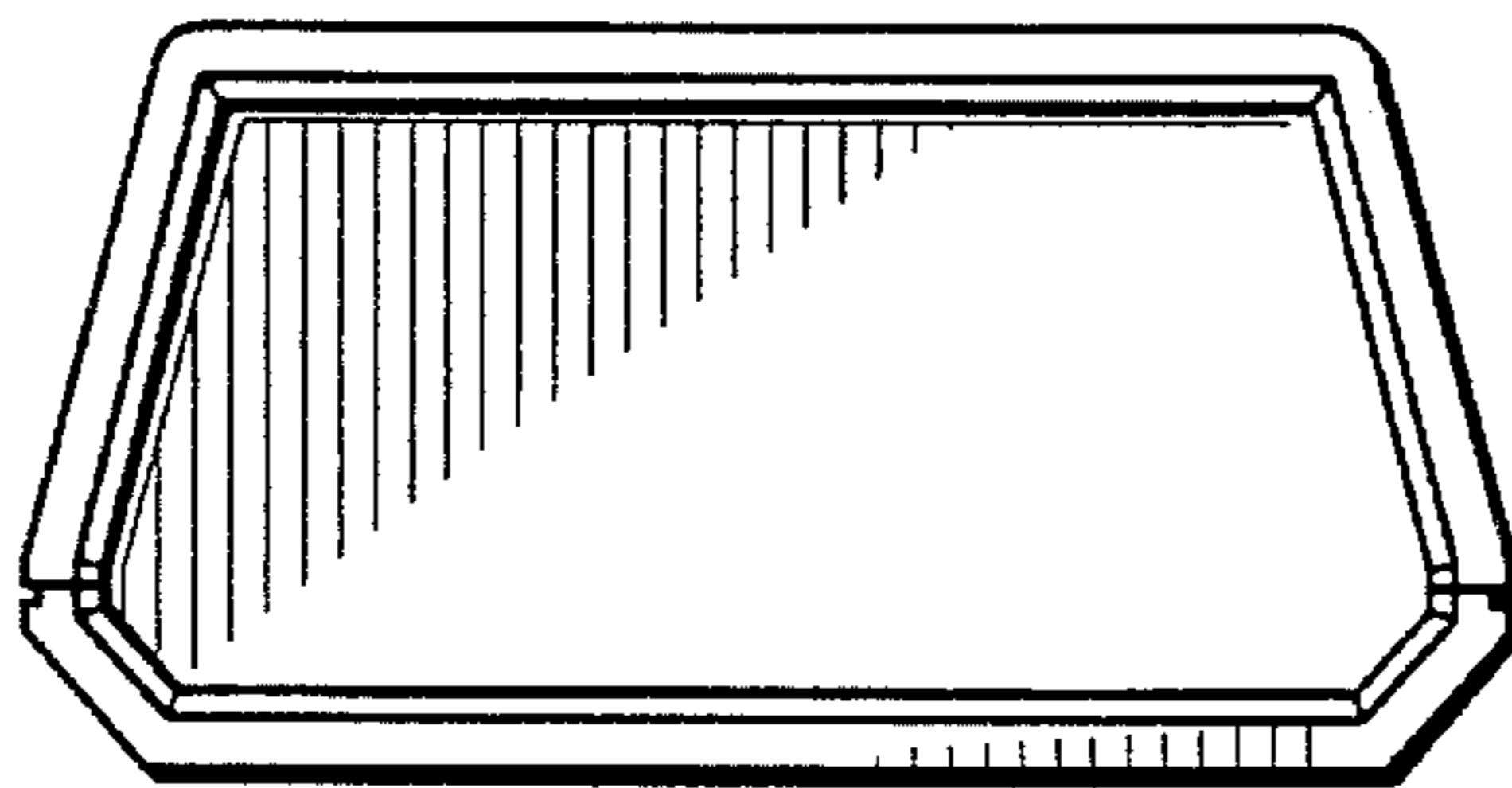


FIG. 12

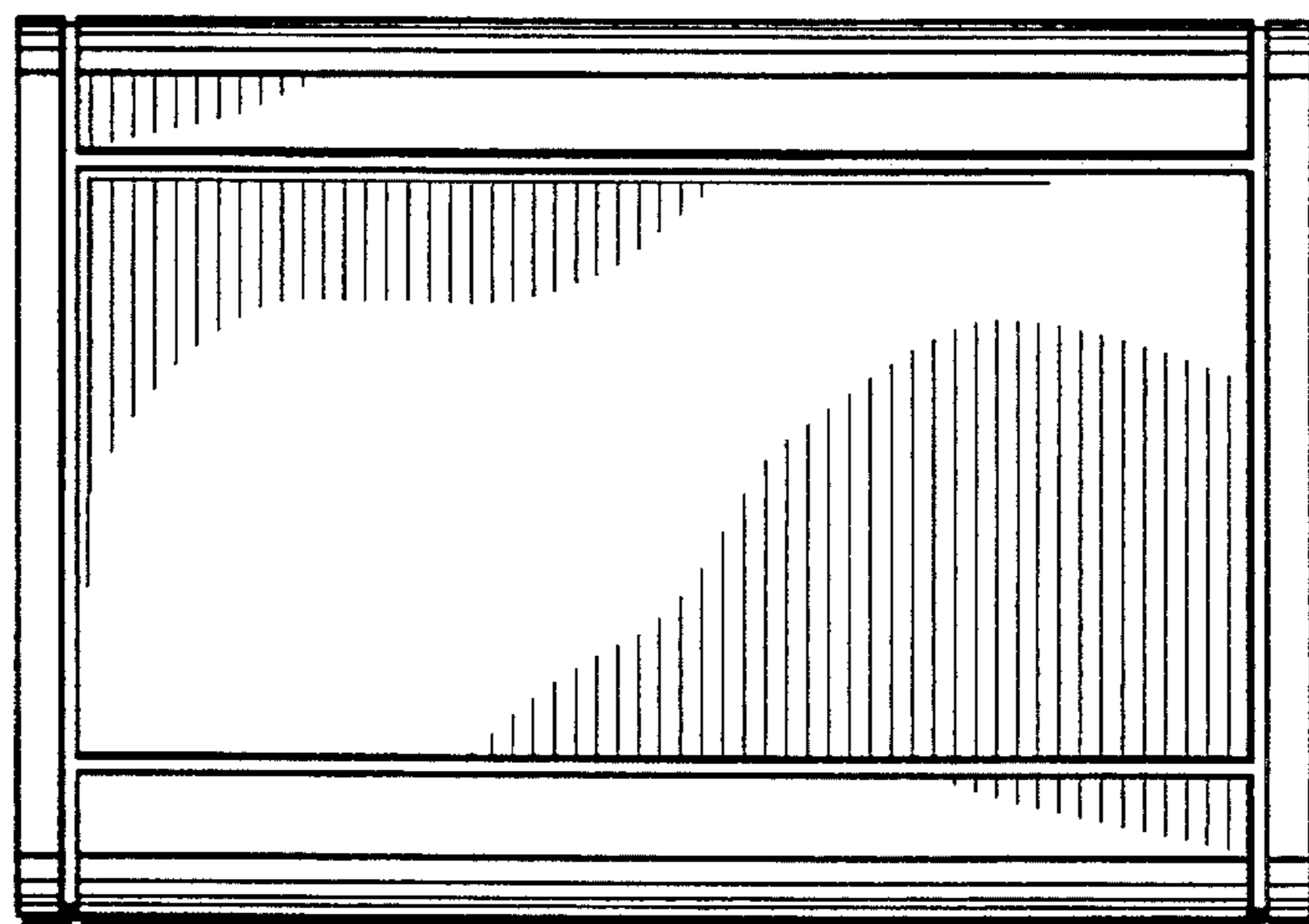


FIG. 13

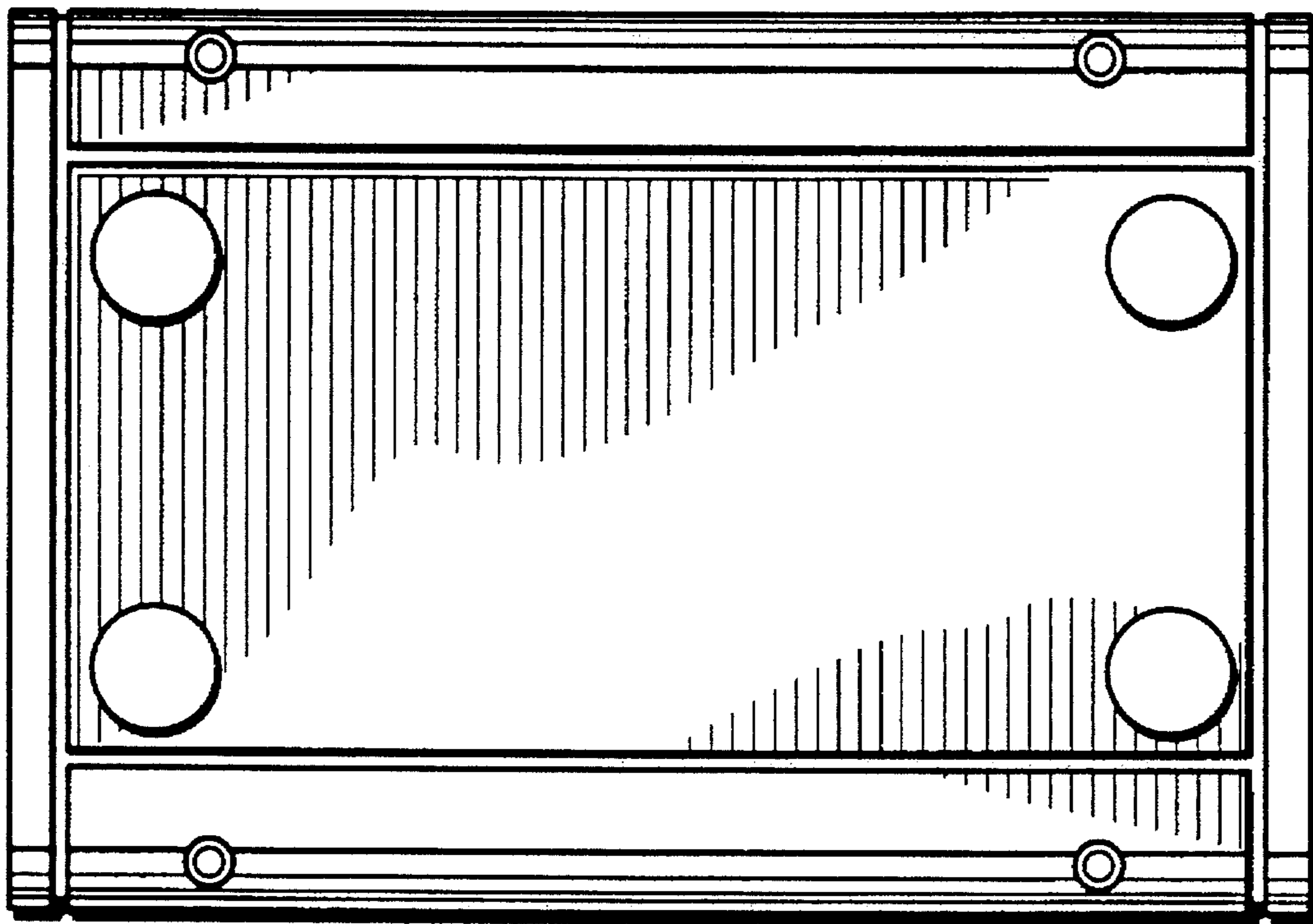


FIG. 14

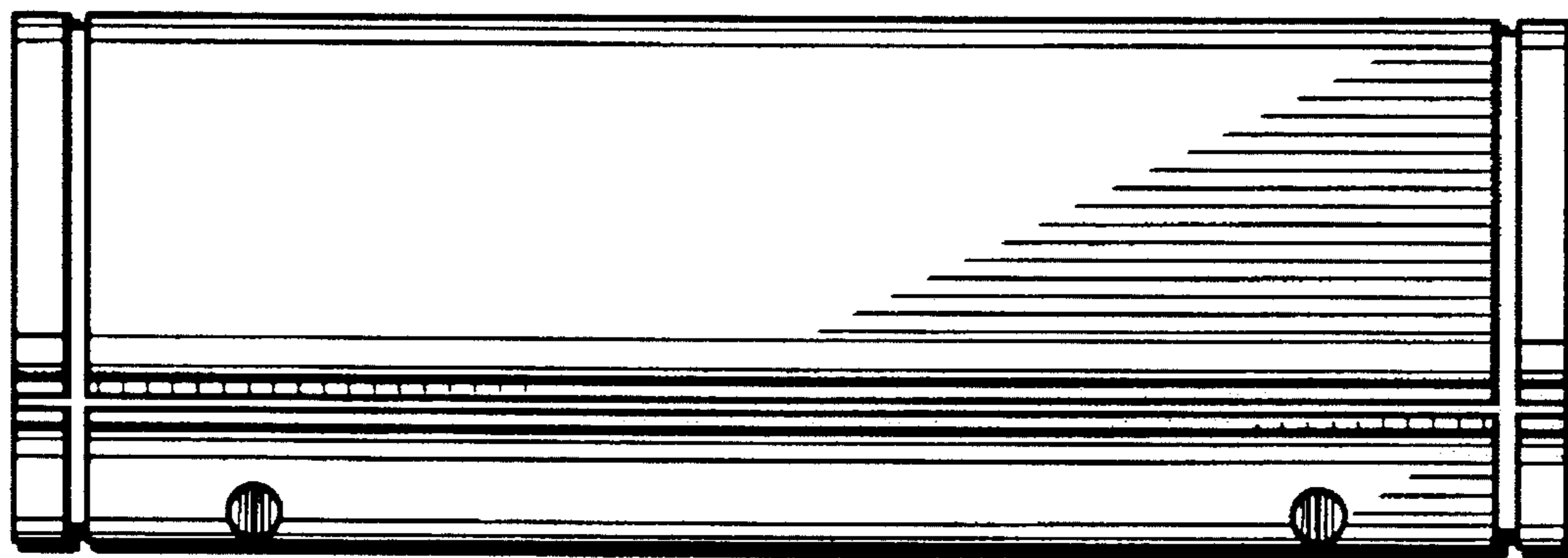


FIG. 15

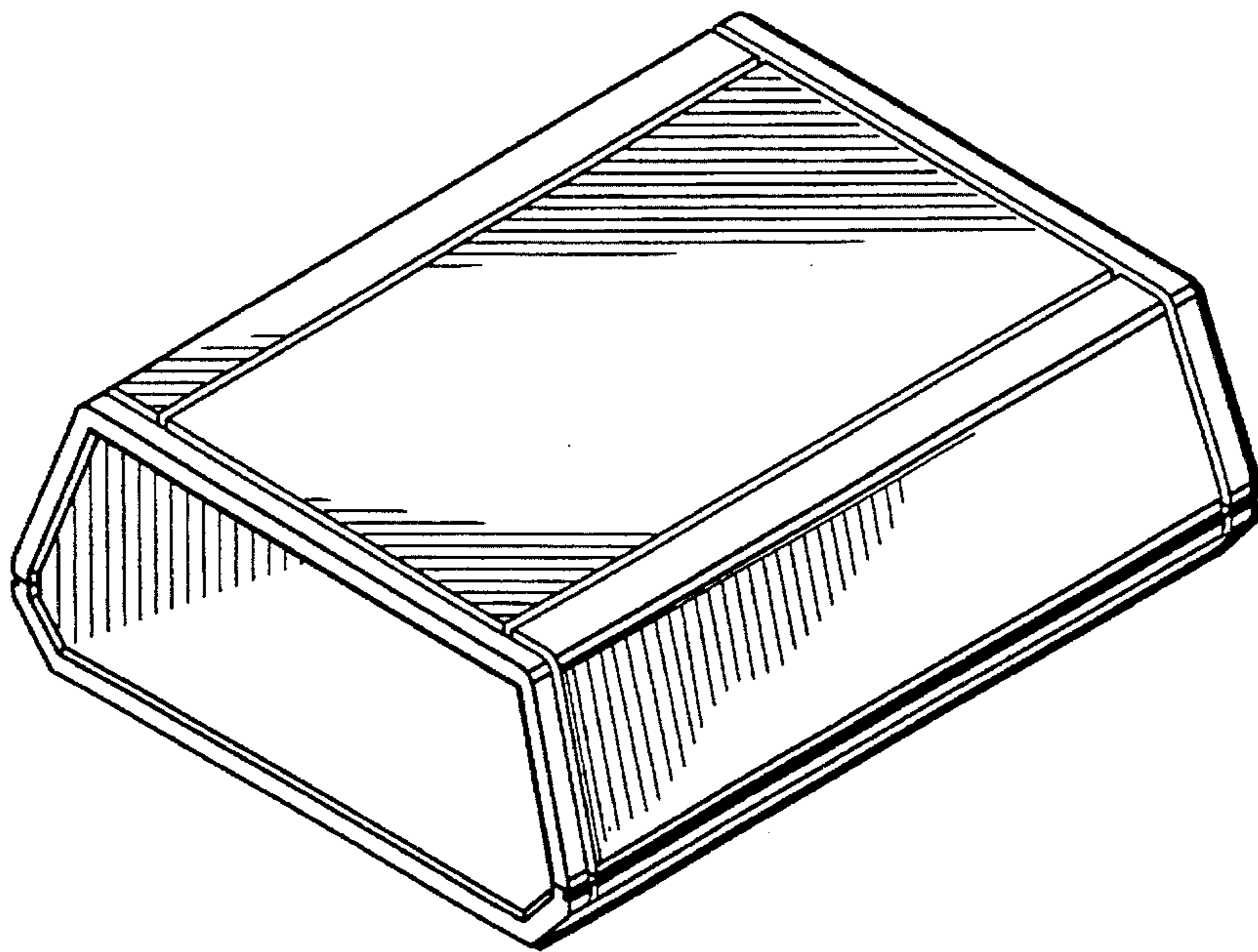


FIG. 16

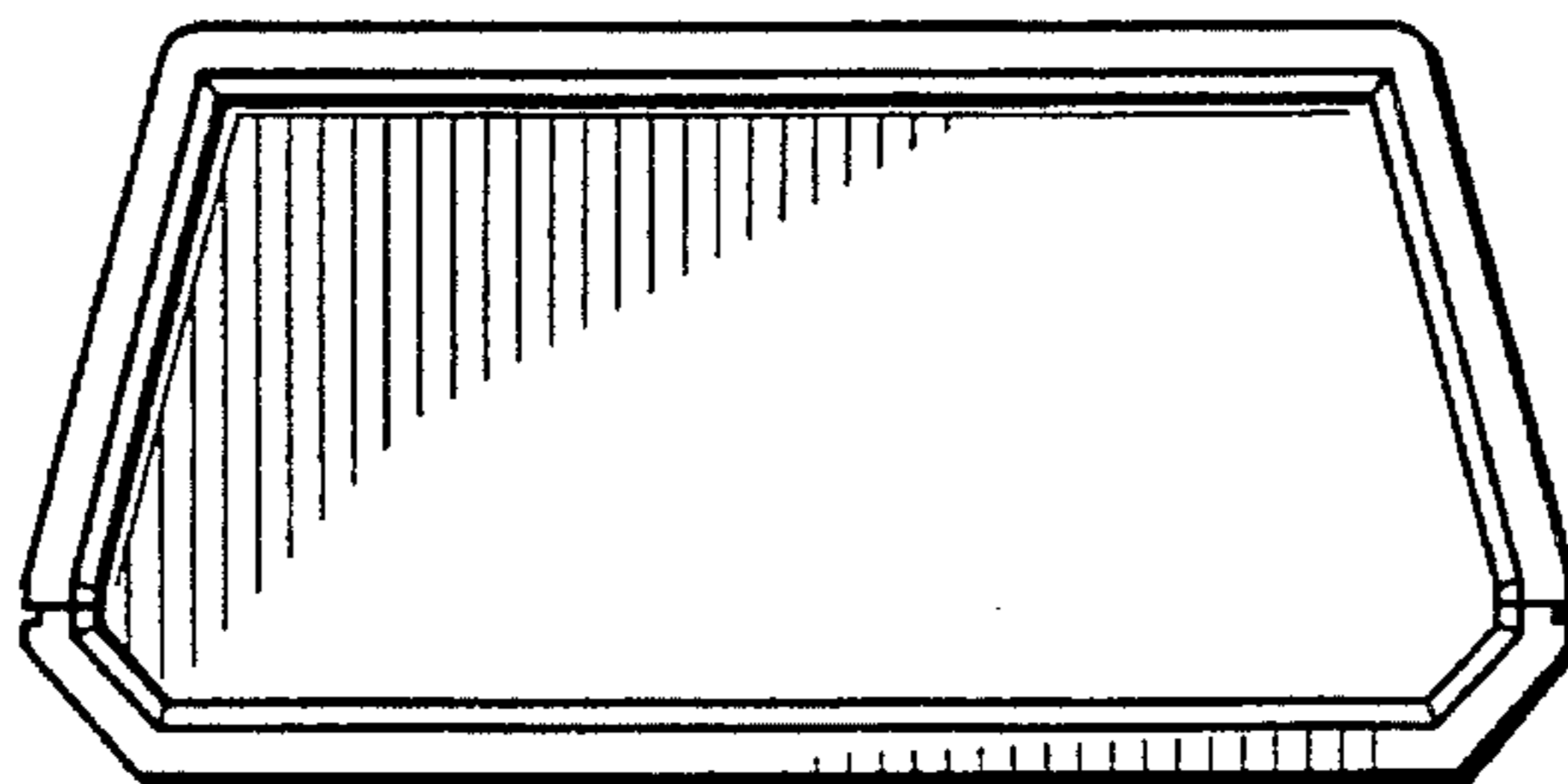


FIG. 17

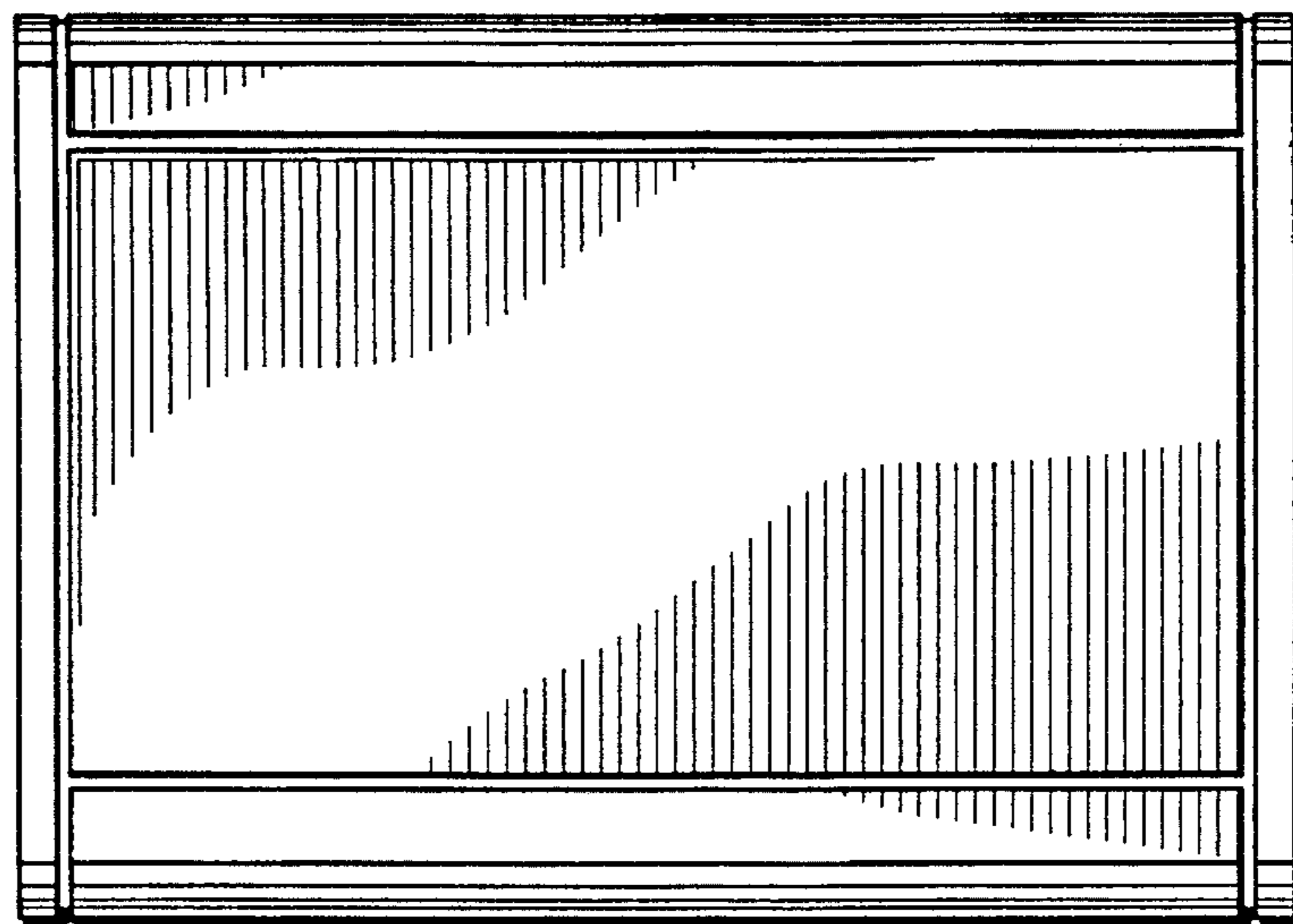


FIG. 18

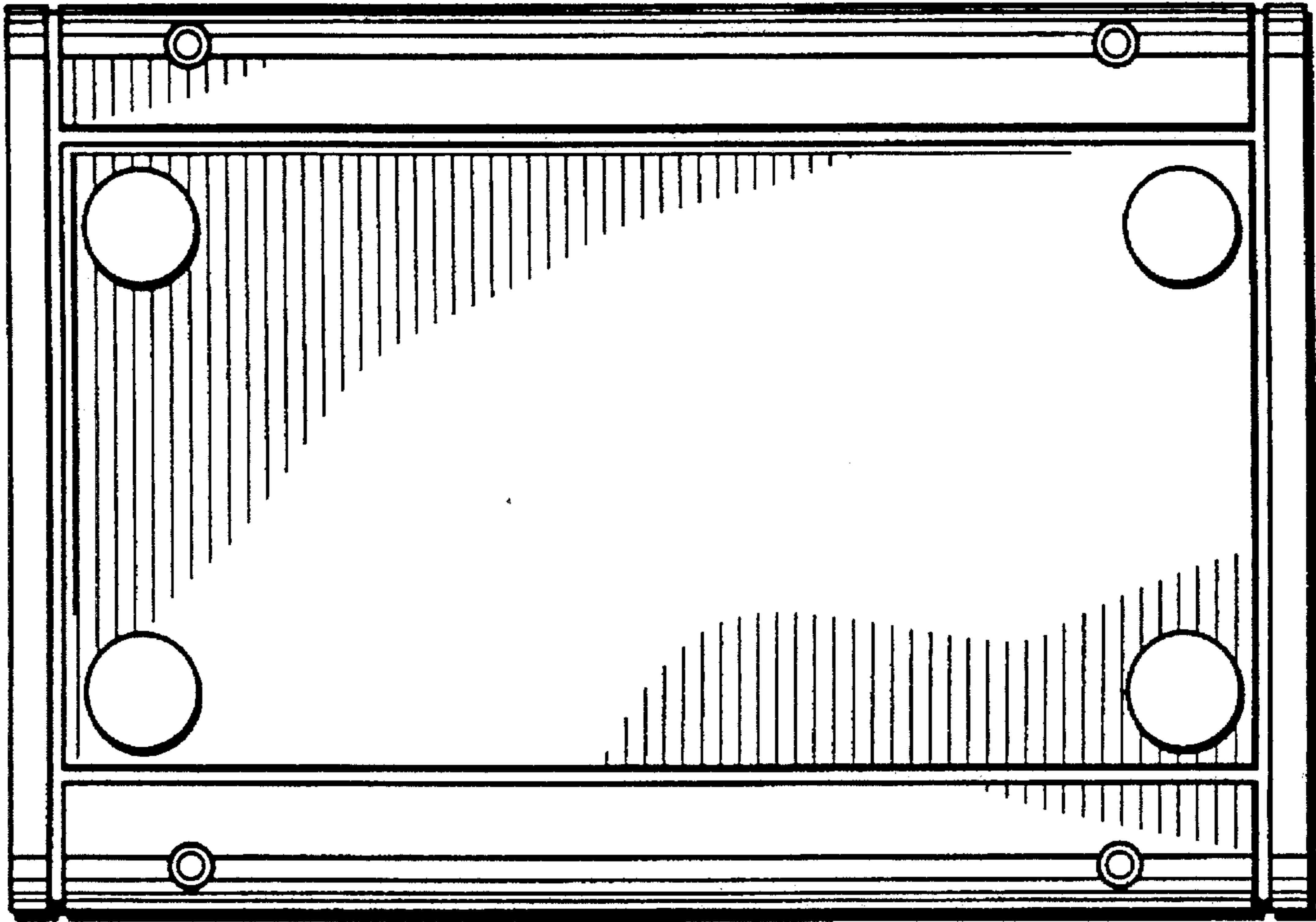


FIG. 19

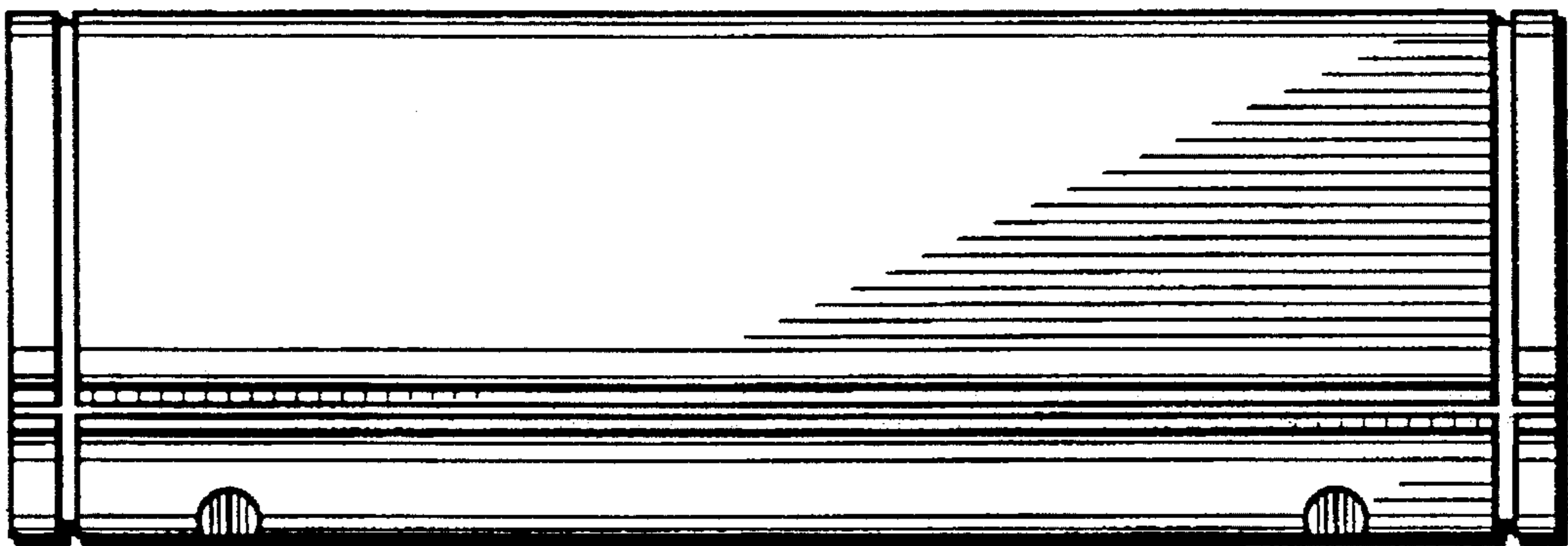


FIG. 20