



US00D368424S

United States Patent [19]
Morey

[11] **Patent Number: Des. 368,424**
[45] **Date of Patent: **Apr. 2, 1996**

[54] **BRACKET**

[75] Inventor: **Dennis E. Morey**, Shelburne, Vt.

[73] Assignee: **The Burton Corporation**

[**] Term: **14 Years**

[21] Appl. No.: **34,293**

[22] Filed: **Jan. 31, 1995**

[52] U.S. Cl. **D8/373; D8/367**

[58] Field of Search **D8/367, 373, 354,
D8/349; D6/323; 248/301, 304, 214, 215,
339**

[56] **References Cited**

U.S. PATENT DOCUMENTS

- D. 339,058 9/1993 Greenhut et al. D8/367
- D. 348,386 7/1994 Cogburn D8/373

Primary Examiner—A. Hugo Word
Assistant Examiner—Holly Baynham

Attorney, Agent, or Firm—Wolf, Greenfield & Sacks

[57] **CLAIM**

The ornamental design for a bracket, as shown and described.

DESCRIPTION

FIG. 1 is a perspective view of a first embodiment of a bracket showing my new design;
 FIG. 2 is a front elevational view thereof;
 FIG. 3 is a right side elevation view thereof; the left side being a mirror image of the right side;
 FIG. 4 is a top plan view thereof;
 FIG. 5 is a rear elevational view thereof;
 FIG. 6 is a bottom plan view;
 FIG. 7 is a perspective view of a second embodiment of a bracket showing my new design; and,
 FIG. 8 is a front elevational view thereof; all remaining views are identical to the first embodiment.

1 Claim, 2 Drawing Sheets

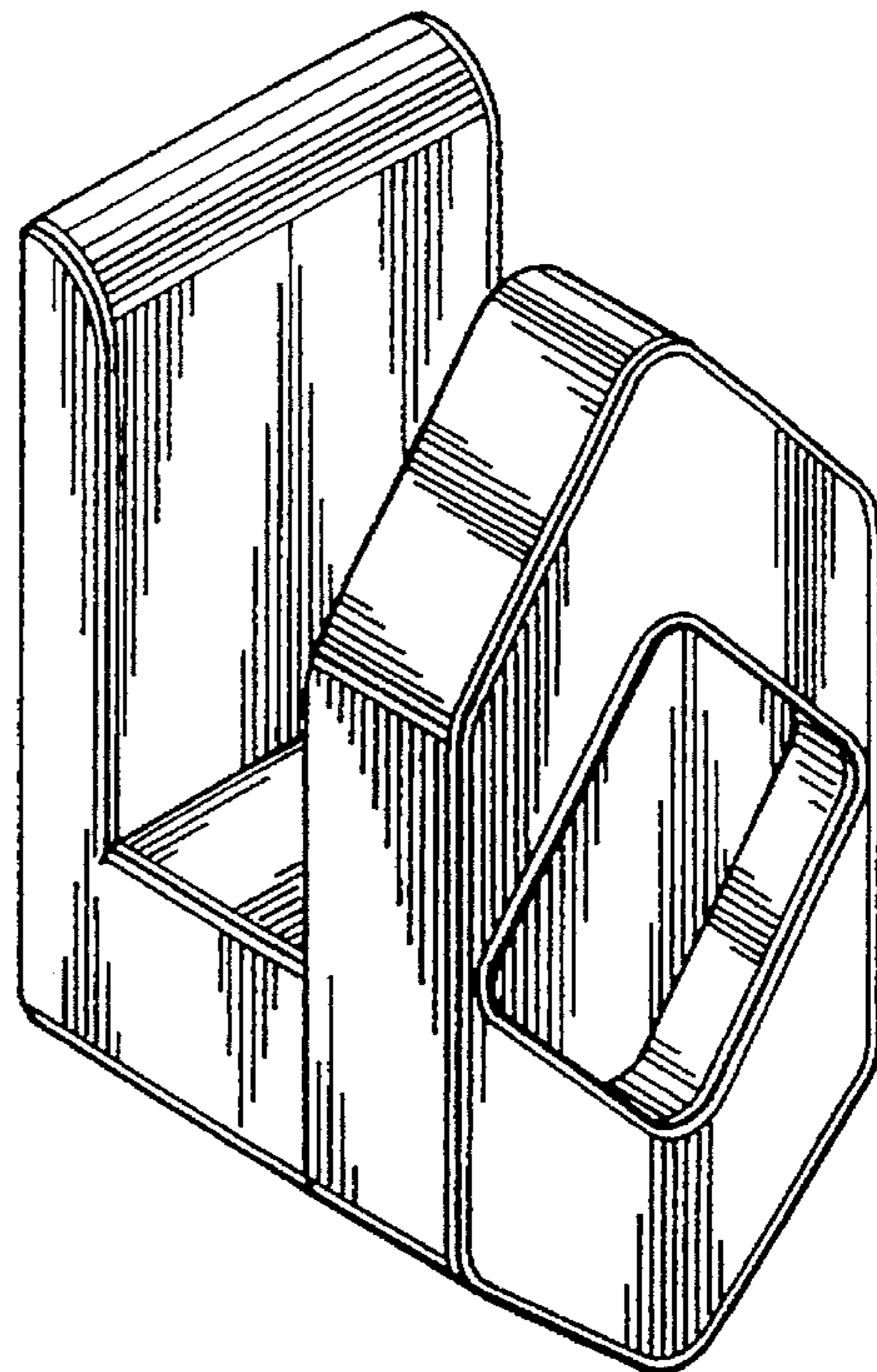
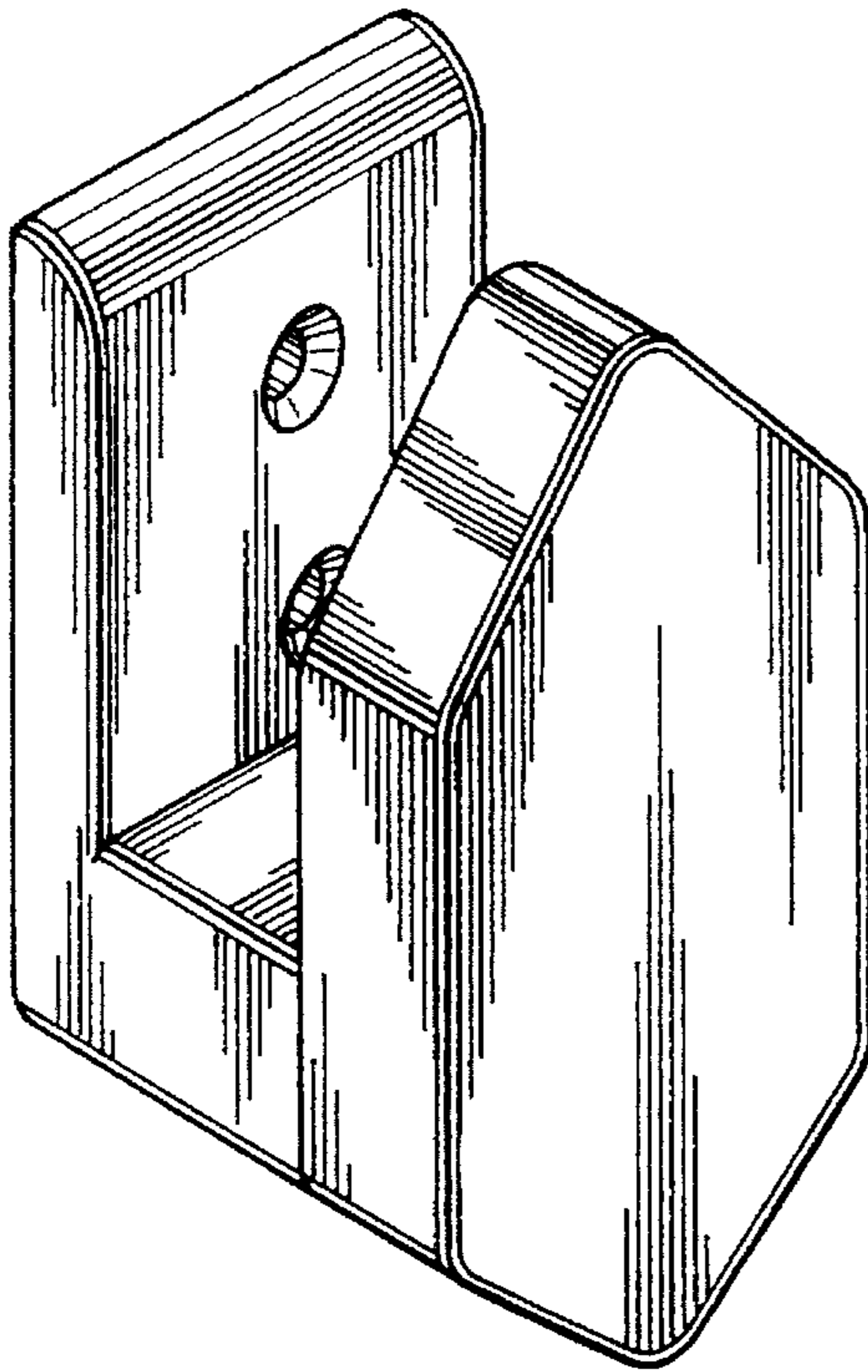


Fig. 1

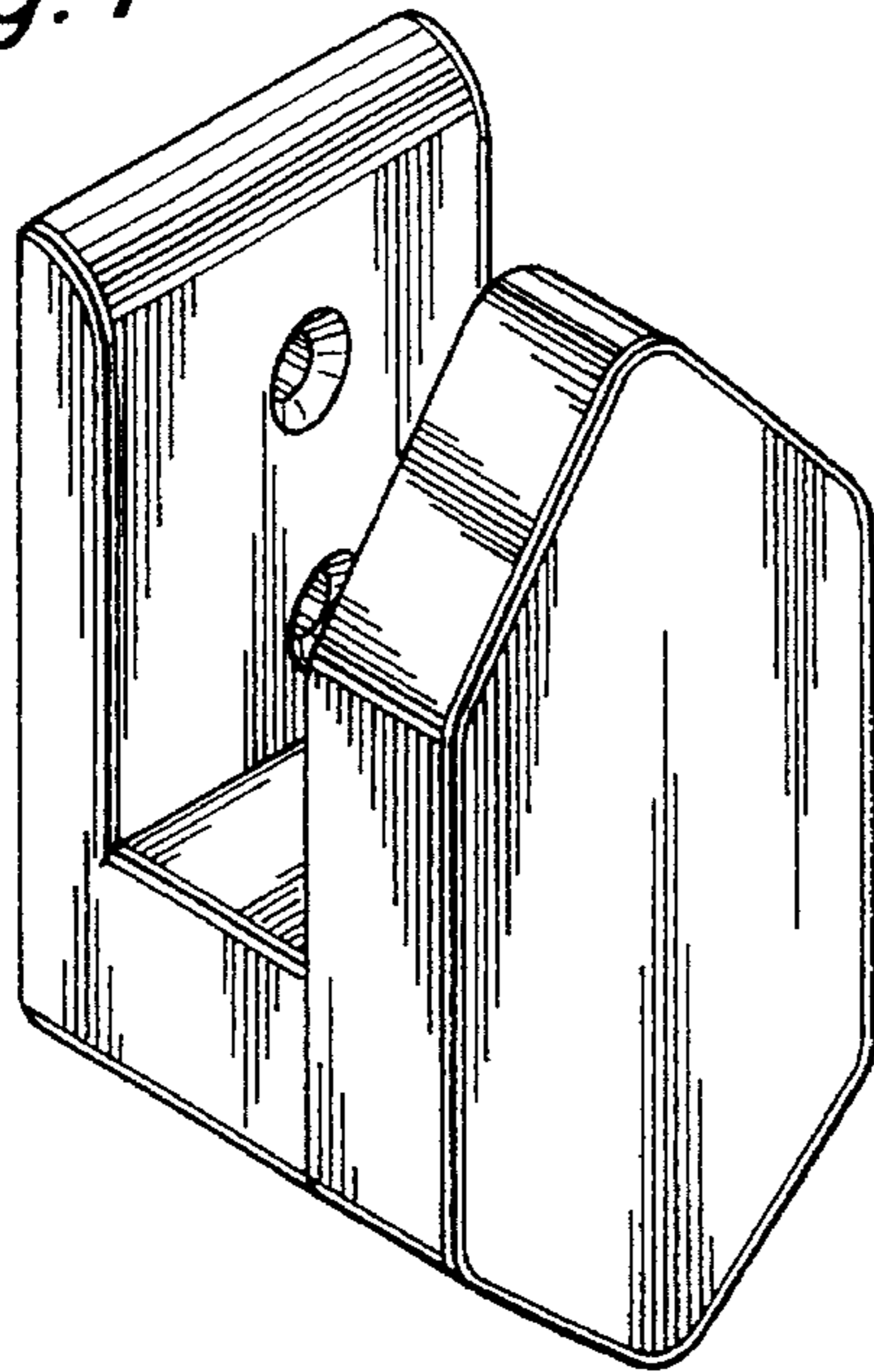


Fig. 2

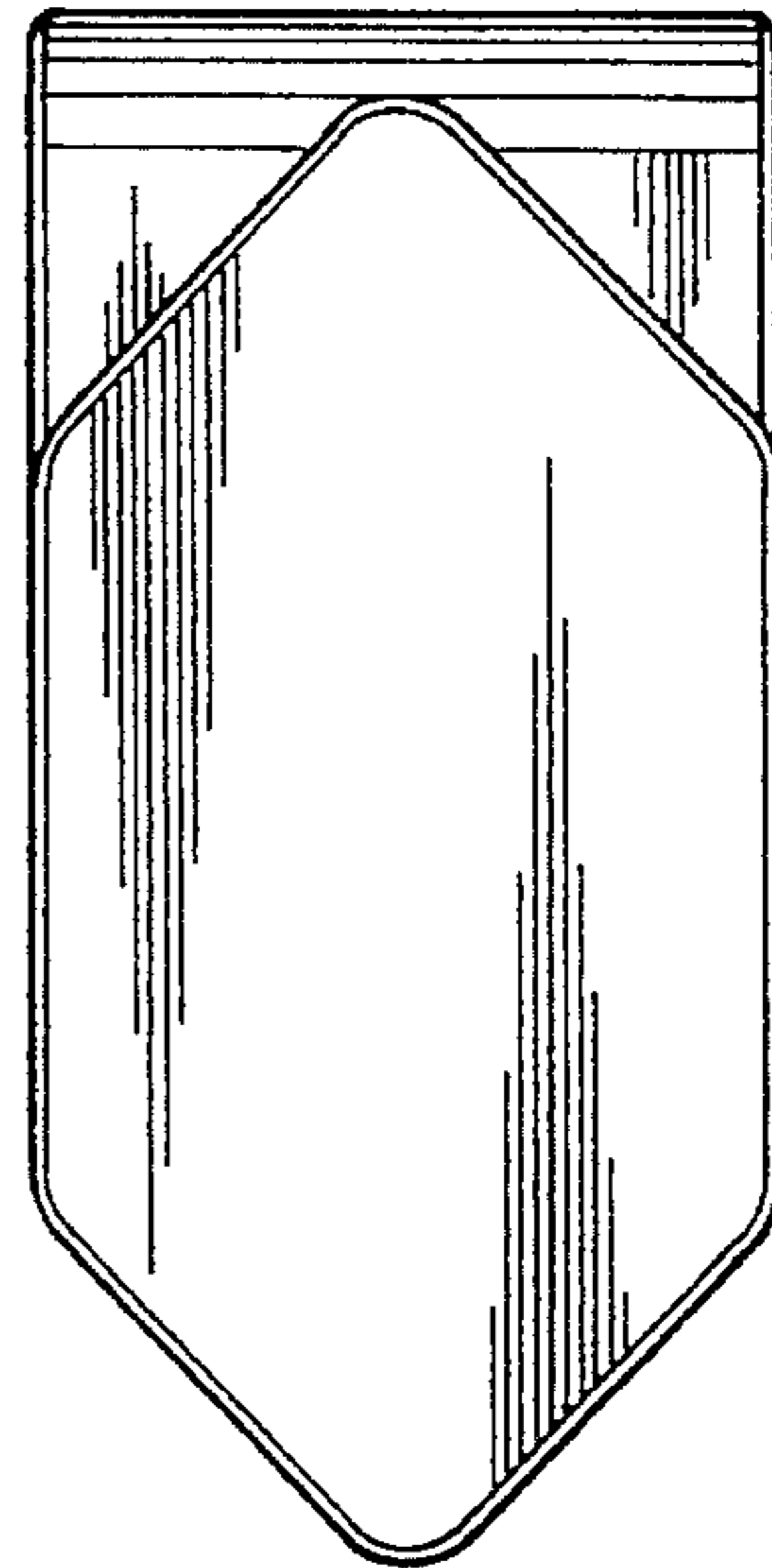


Fig. 3

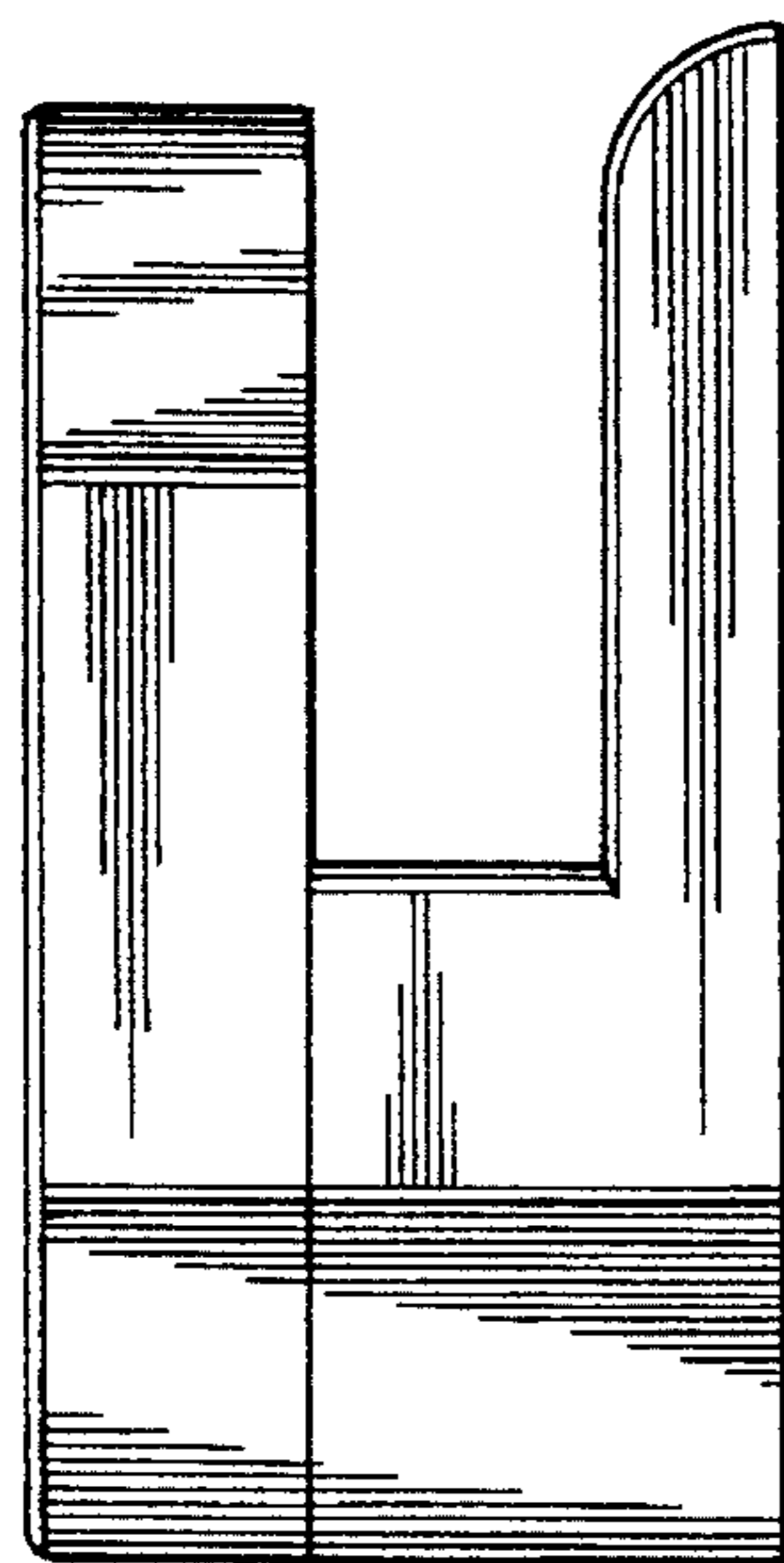


Fig. 5

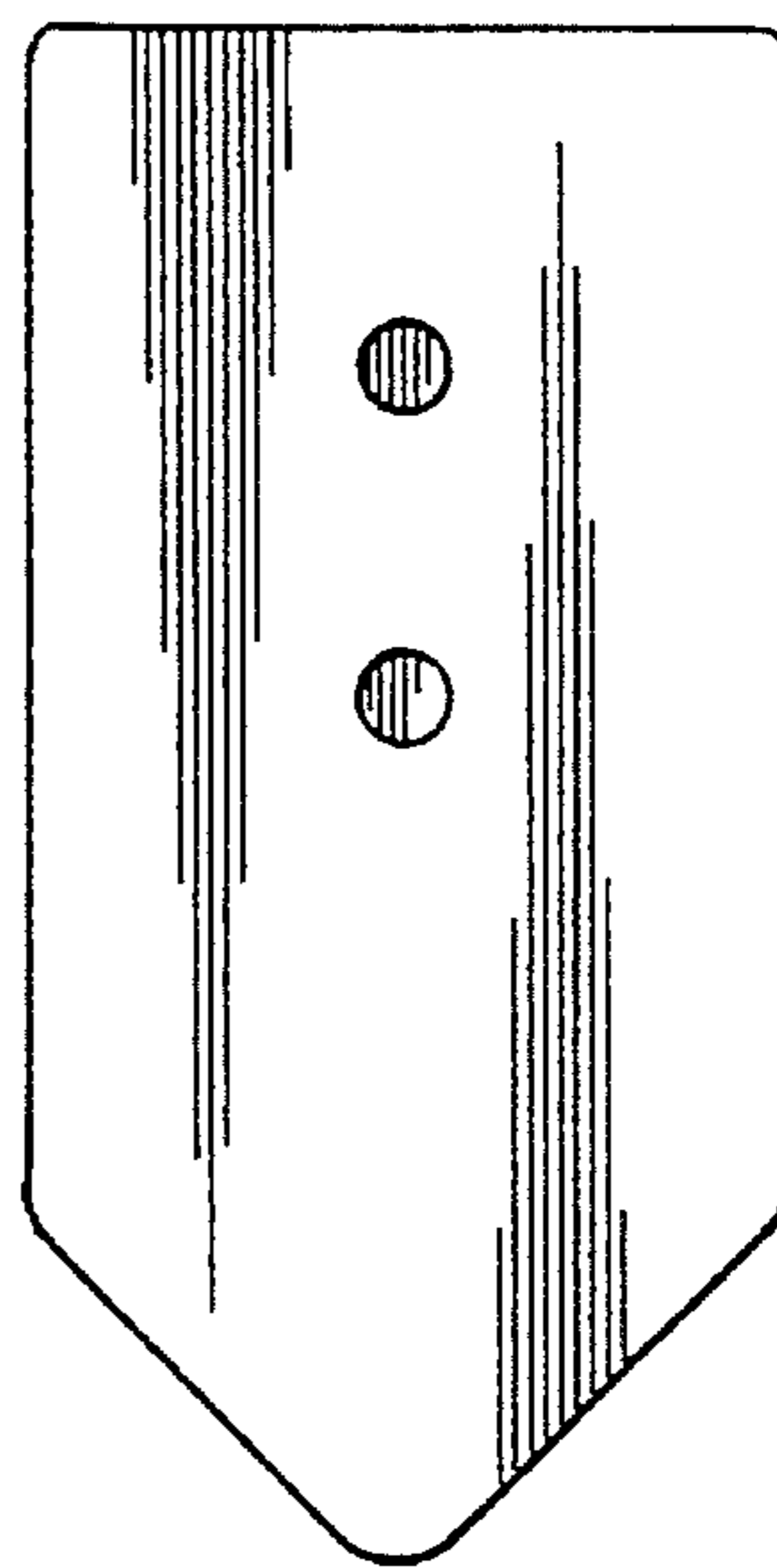


Fig. 4

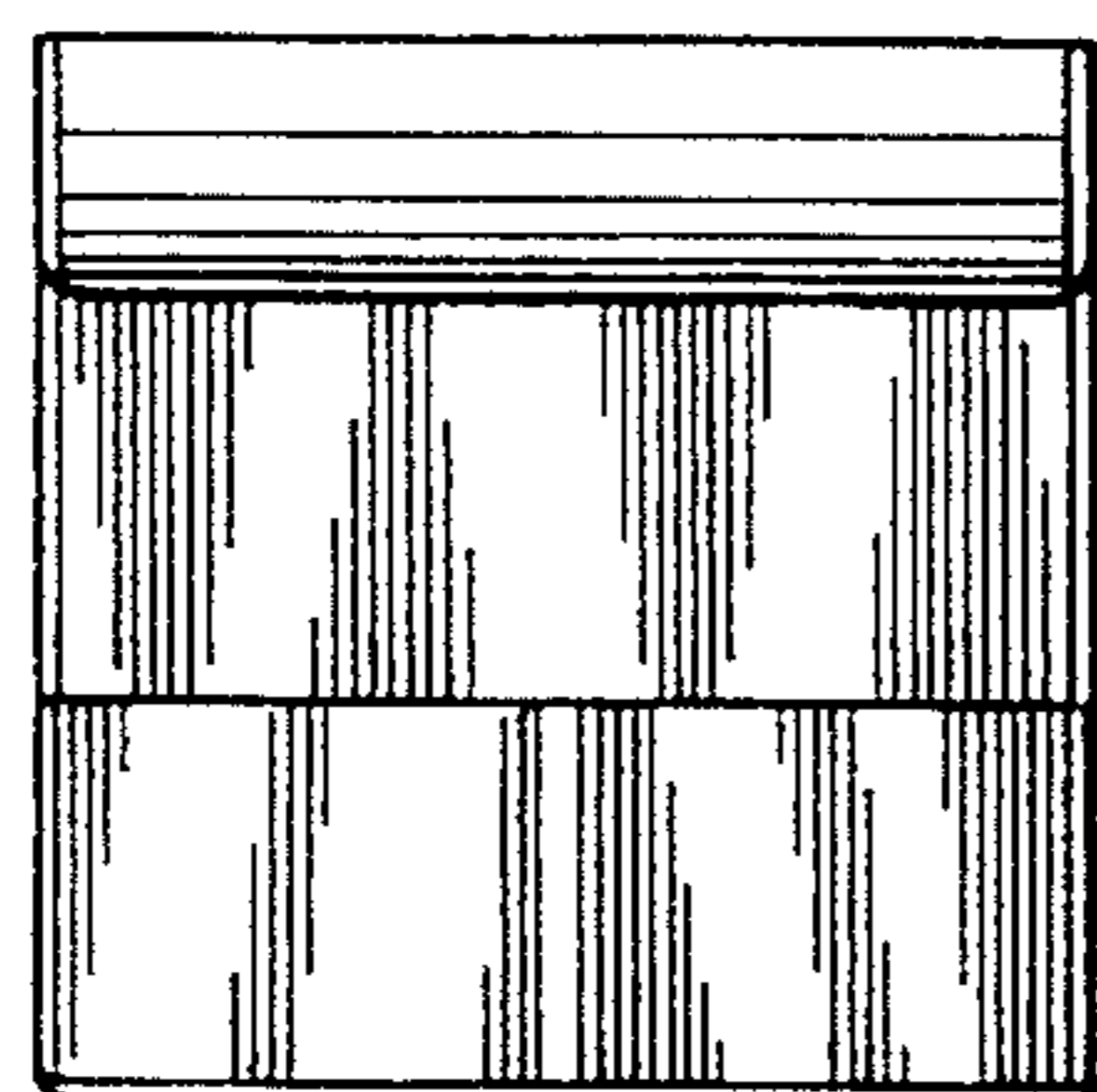


Fig. 6

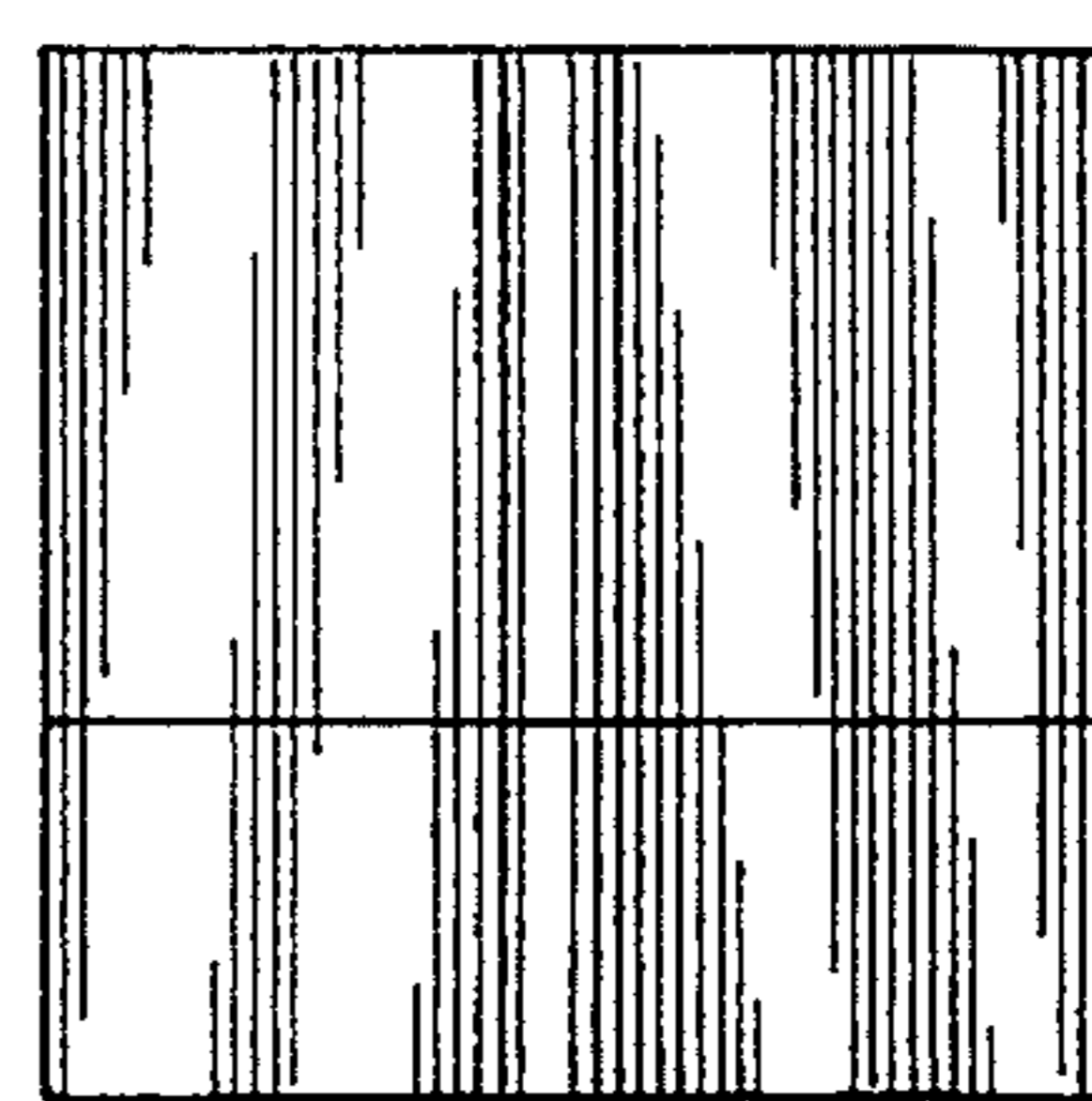


Fig. 7

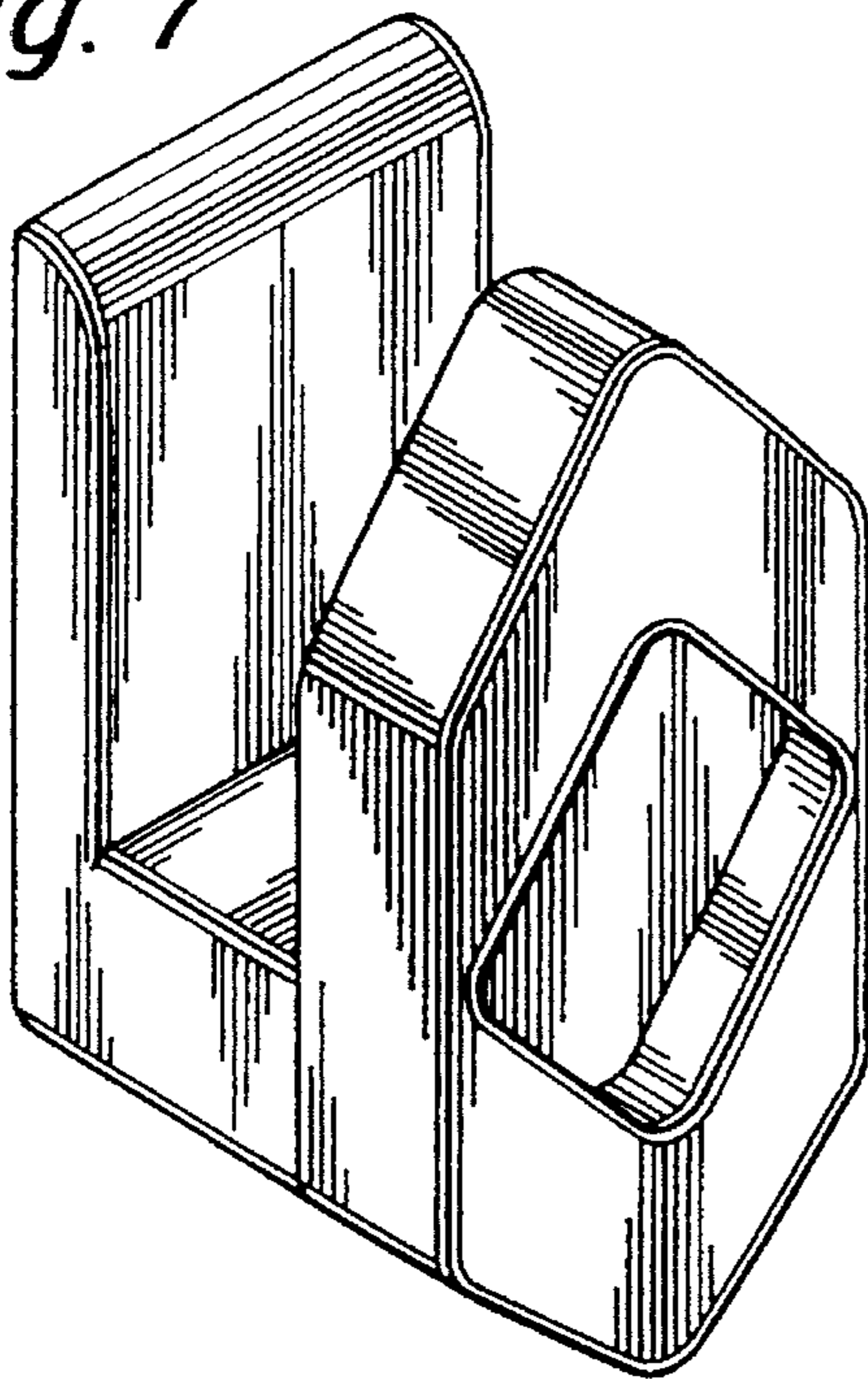


Fig. 8

