



US00D368423S

United States Patent [19]

Burch

[11] Patent Number: **Des. 368,423**

[45] Date of Patent: ****Apr. 2, 1996**

[54] **SPOOL HOLDER**

[76] Inventor: **Brad J. Burch**, 12311 Advance,
Houston, Tex. 77065

[**] Term: **14 Years**

[21] Appl. No.: **23,616**

[22] Filed: **May 27, 1994**

[52] U.S. Cl. **D8/359**

[58] Field of Search D8/359; D22/134,
D22/143; D3/24, 26; D15/78; 242/130,
129.8, 406, 129.6, 591

[56] **References Cited**

U.S. PATENT DOCUMENTS

D. 222,429	10/1971	Nolte	D8/359
D. 273,559	4/1984	Butler	D8/359
D. 335,524	5/1993	Dillashaw	D22/134
1,061,590	5/1913	Bennet	D3/24

4,284,180	8/1981	Masters	D8/359
4,834,331	5/1989	Domingo	242/129.6 X
5,209,423	5/1993	Barginear	242/129.8

Primary Examiner—A. Hugo Word
Assistant Examiner—Holly Baynham
Attorney, Agent, or Firm—Kenneth A. Roddy

[57] **CLAIM**

The ornamental design for a spool holder, as shown and described.

DESCRIPTION

FIG. 1 is an isometric view of a spool holder showing my new design from the top and one side; FIG. 2 is an isometric view thereof shown from the bottom an opposite side; and, FIG. 3 is an end view thereof, the opposite end being a mirror image of that shown.

1 Claim, 1 Drawing Sheet

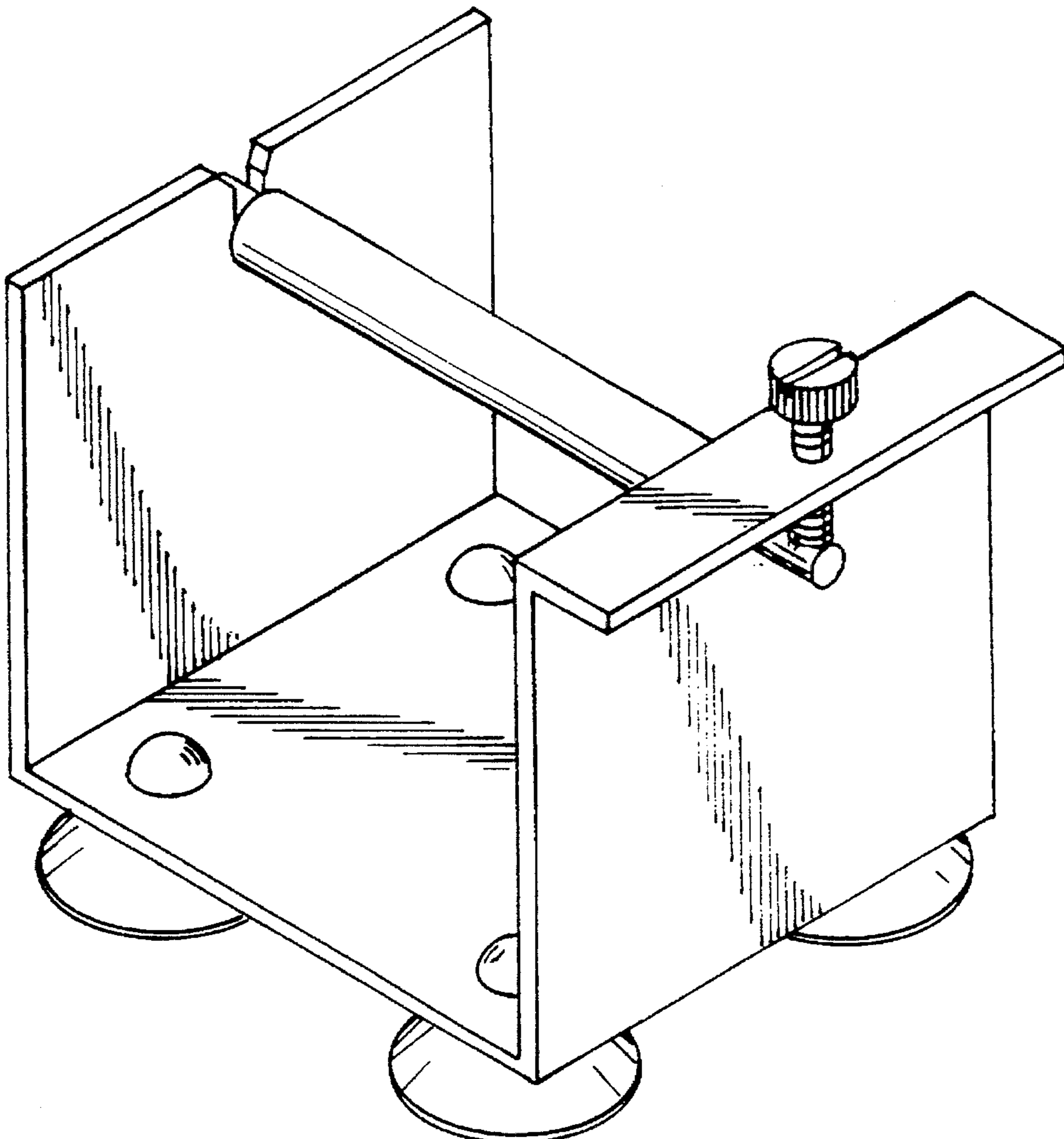


fig. 1

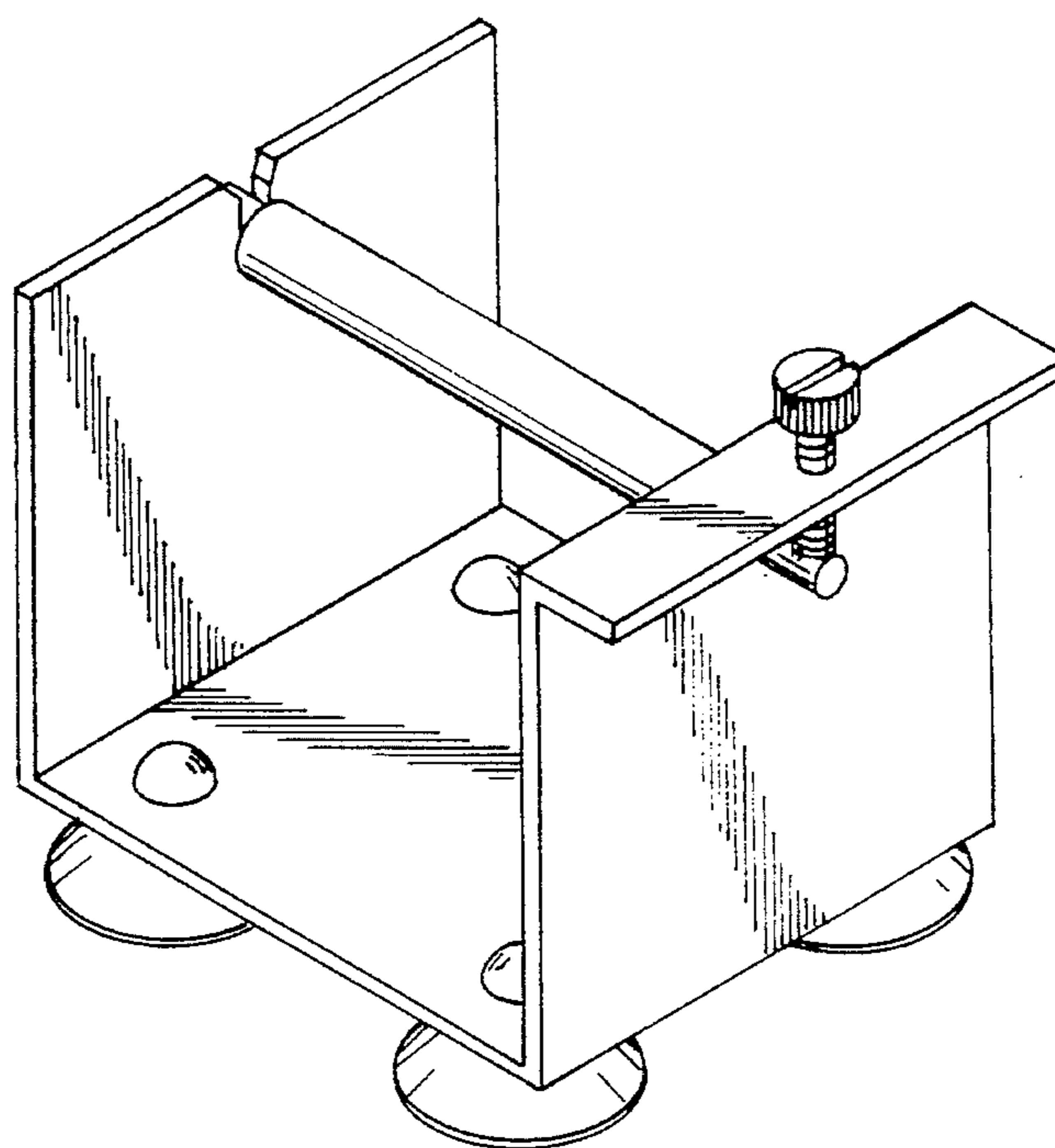


fig. 2

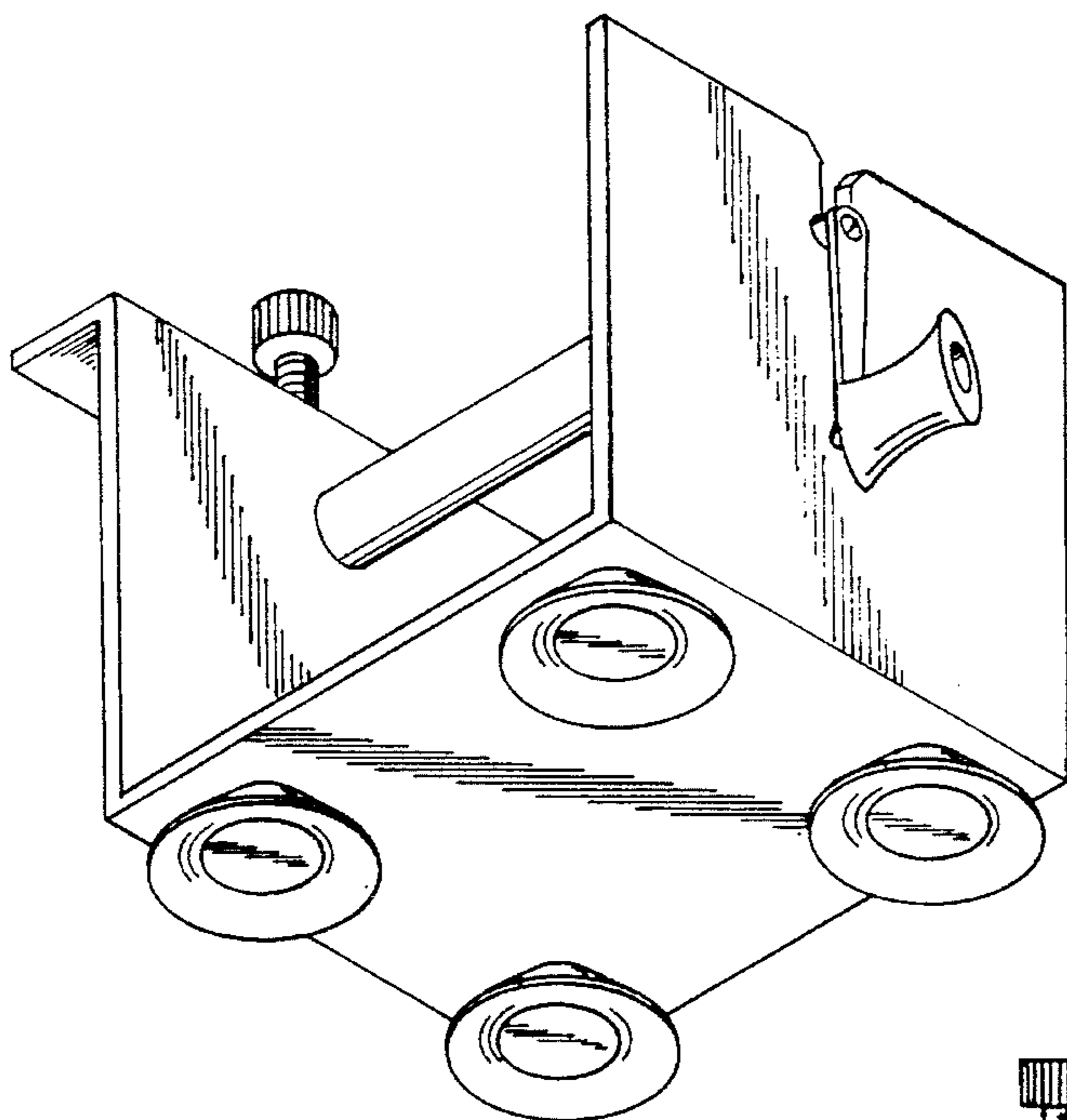


fig. 3

