



US00D368422S

United States Patent [19]
Jensen

[11] **Patent Number:** **Des. 368,422**

[45] **Date of Patent:** ****Apr. 2, 1996**

[54] **PIPE HOLDER** 5,305,978 4/1994 Current 248/74.3 X

[76] **Inventor:** **Torben Jensen**, 20881 Hunter Place,
Maple Ridge, B.C., Canada, V2X 8M9

Primary Examiner—A. Hugo Word
Assistant Examiner—Holly Baynham

[**] **Term:** **14 Years**

[57] **CLAIM**

[21] **Appl. No.:** **24,703**

The ornamental design for a pipe holder, as shown and described.

[22] **Filed:** **Jun. 20, 1994**

DESCRIPTION

[52] **U.S. Cl.** **D8/354**

[58] **Field of Search** D8/349, 354, 356,
D8/382, 396; D6/418; D26/138; 248/68.1,
74.1-74.4, 73, 229, 62, 230, 56

FIG. 1 is an isometrical view of a pipe holder showing my new design;

FIG. 2 is a front view thereof;

FIG. 3 is a right side view thereof;

FIG. 4 is a left side view thereof;

FIG. 5 is a top view thereof;

FIG. 6 is a rear view thereof; and,

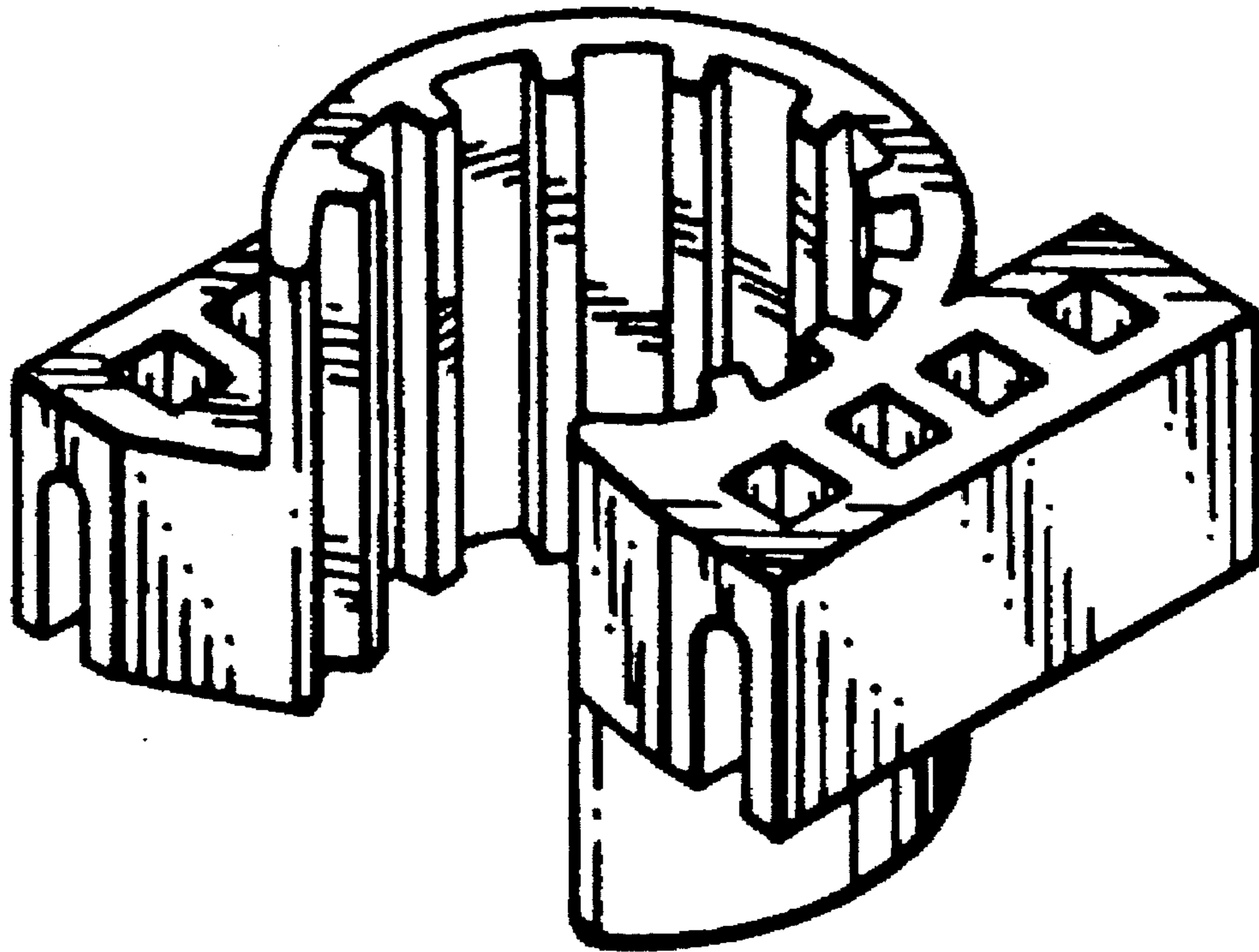
FIG. 7 is a bottom view thereof.

[56] **References Cited**

U.S. PATENT DOCUMENTS

- D. 275,175 8/1984 Rolli, Jr. D8/396 X
- D. 276,134 10/1984 Ericsson D8/396
- 4,903,921 2/1990 Logsdon 248/74.1 X
- 4,930,733 6/1990 Logsdon 248/56

1 Claim, 1 Drawing Sheet



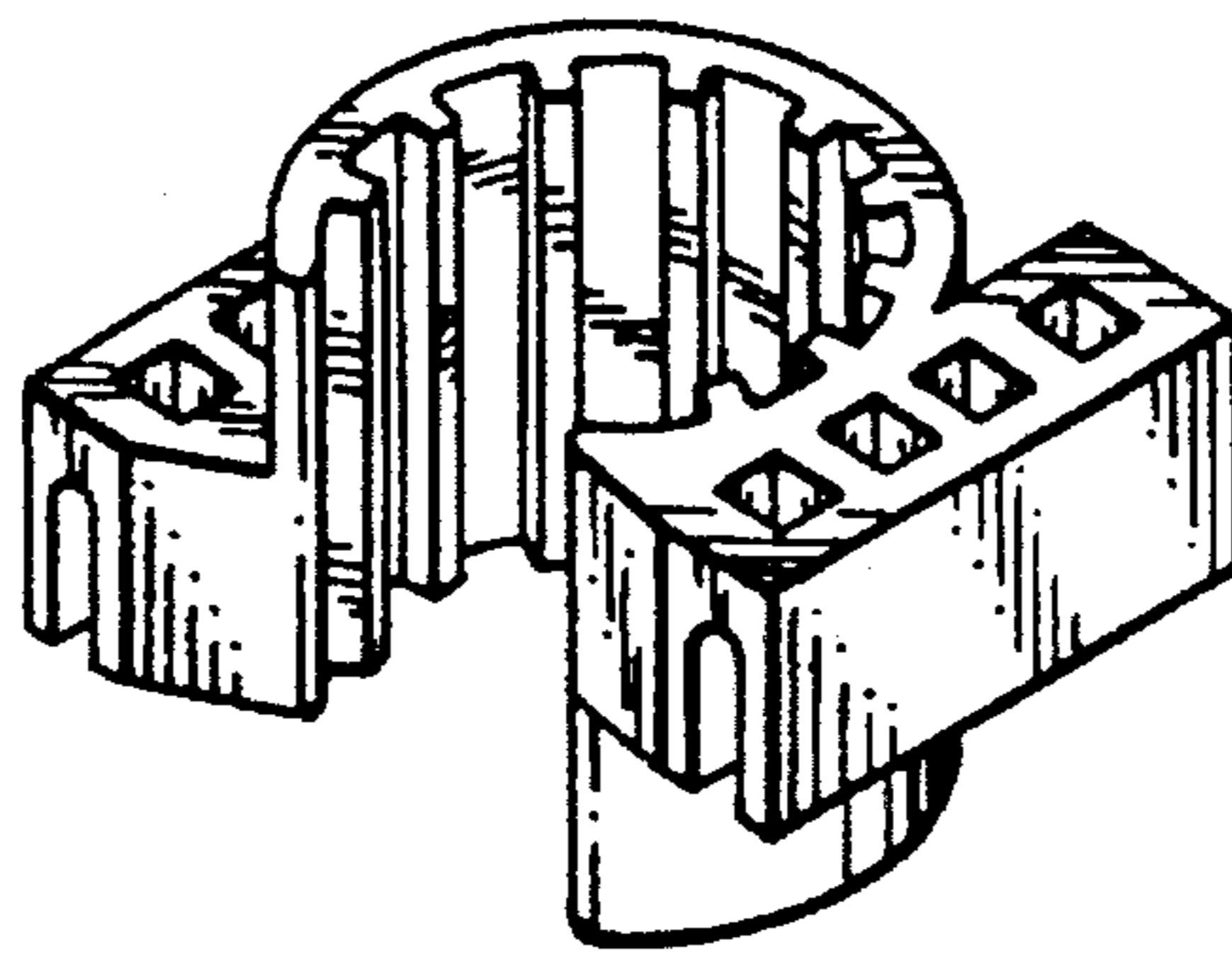


FIG. 1

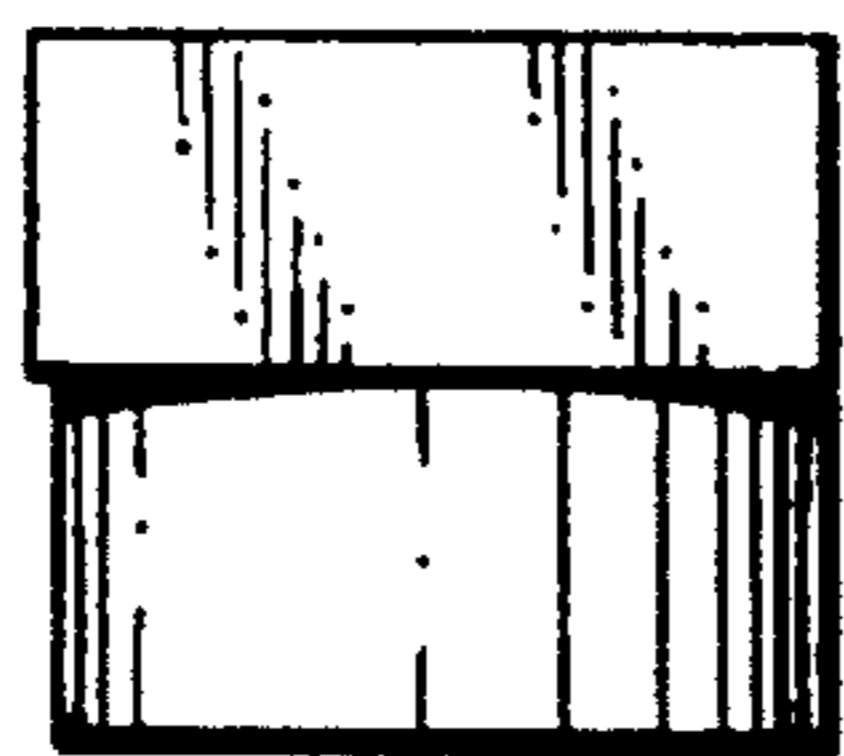


FIG. 3



FIG. 2

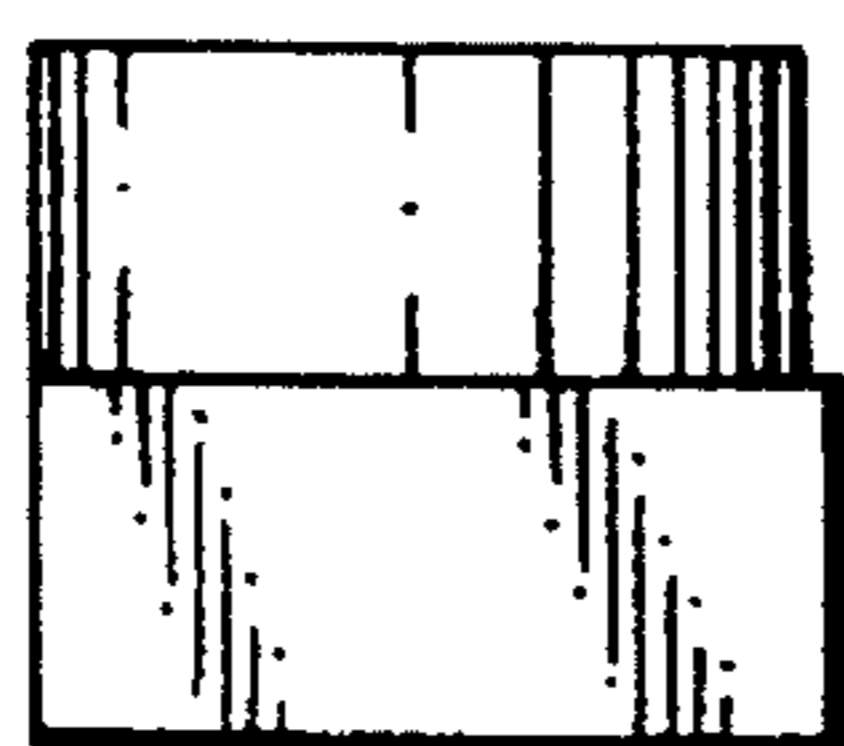


FIG. 4

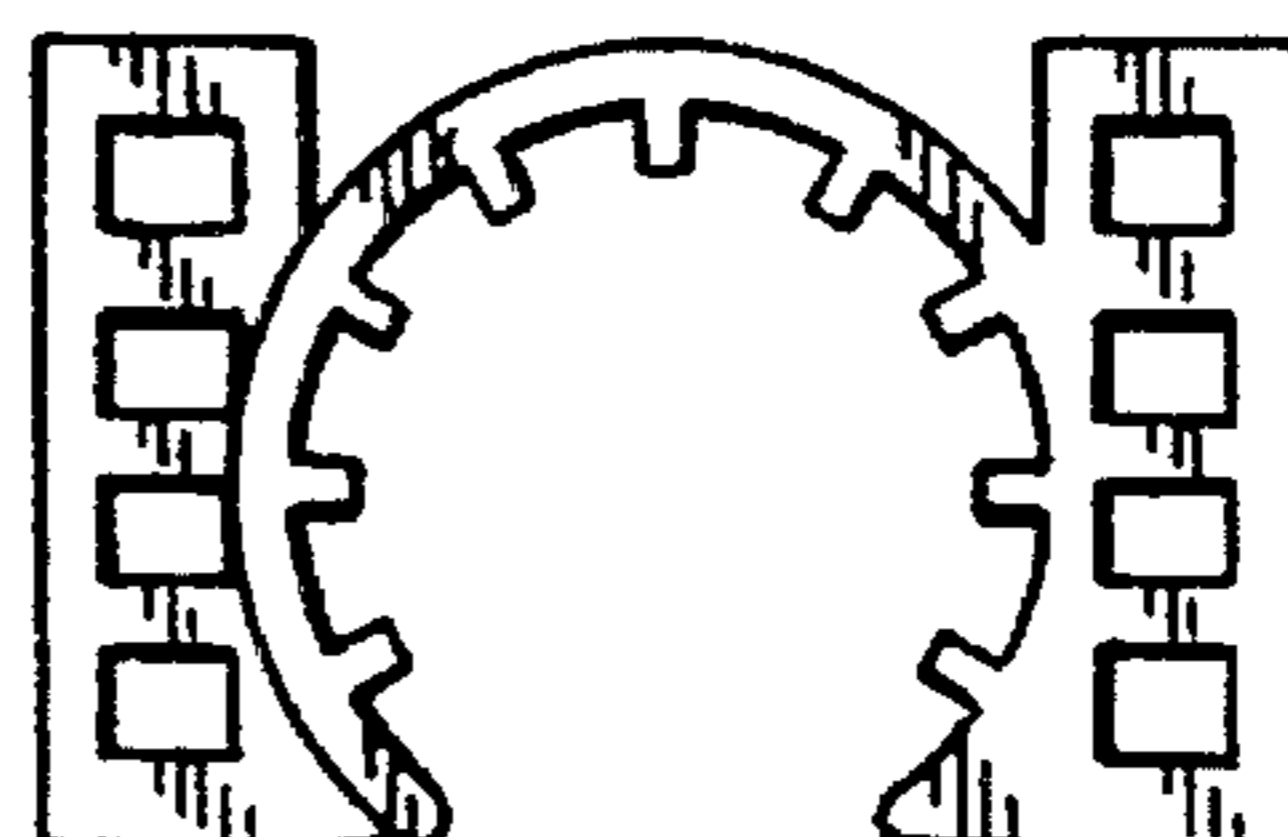


FIG. 5

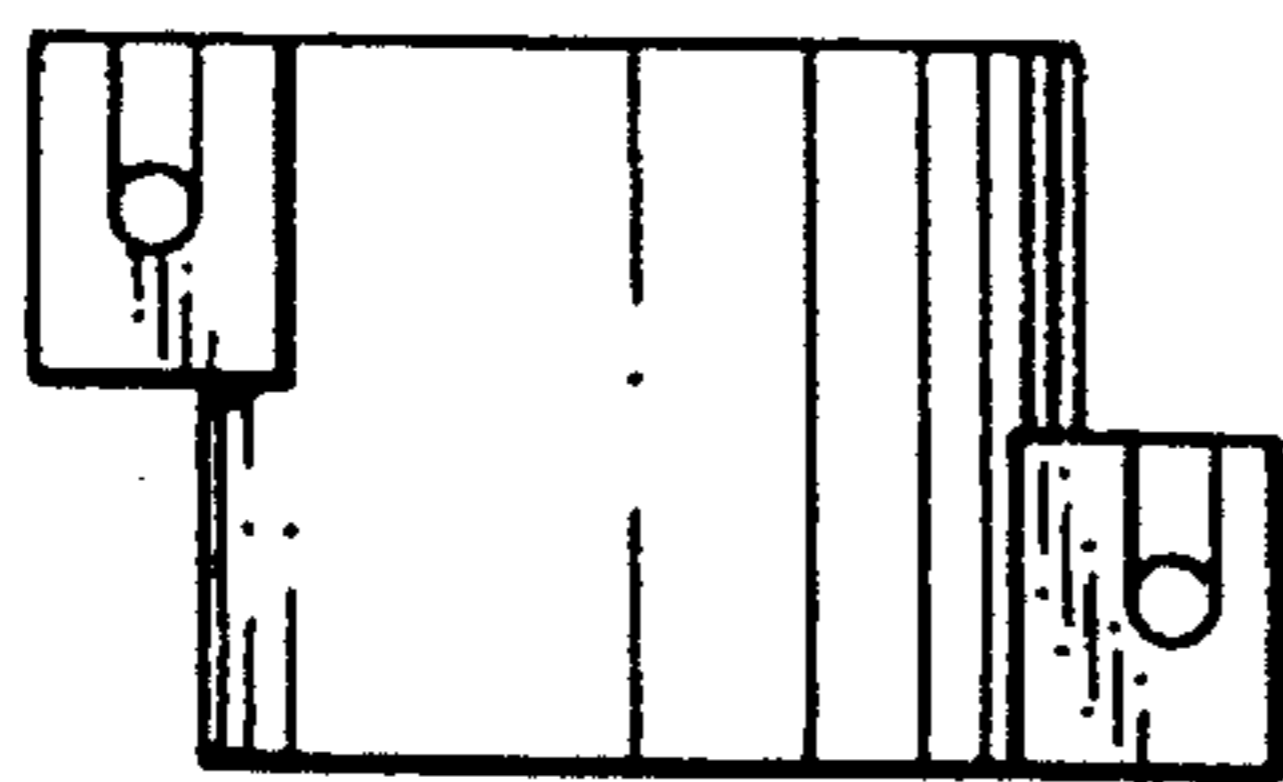


FIG. 6

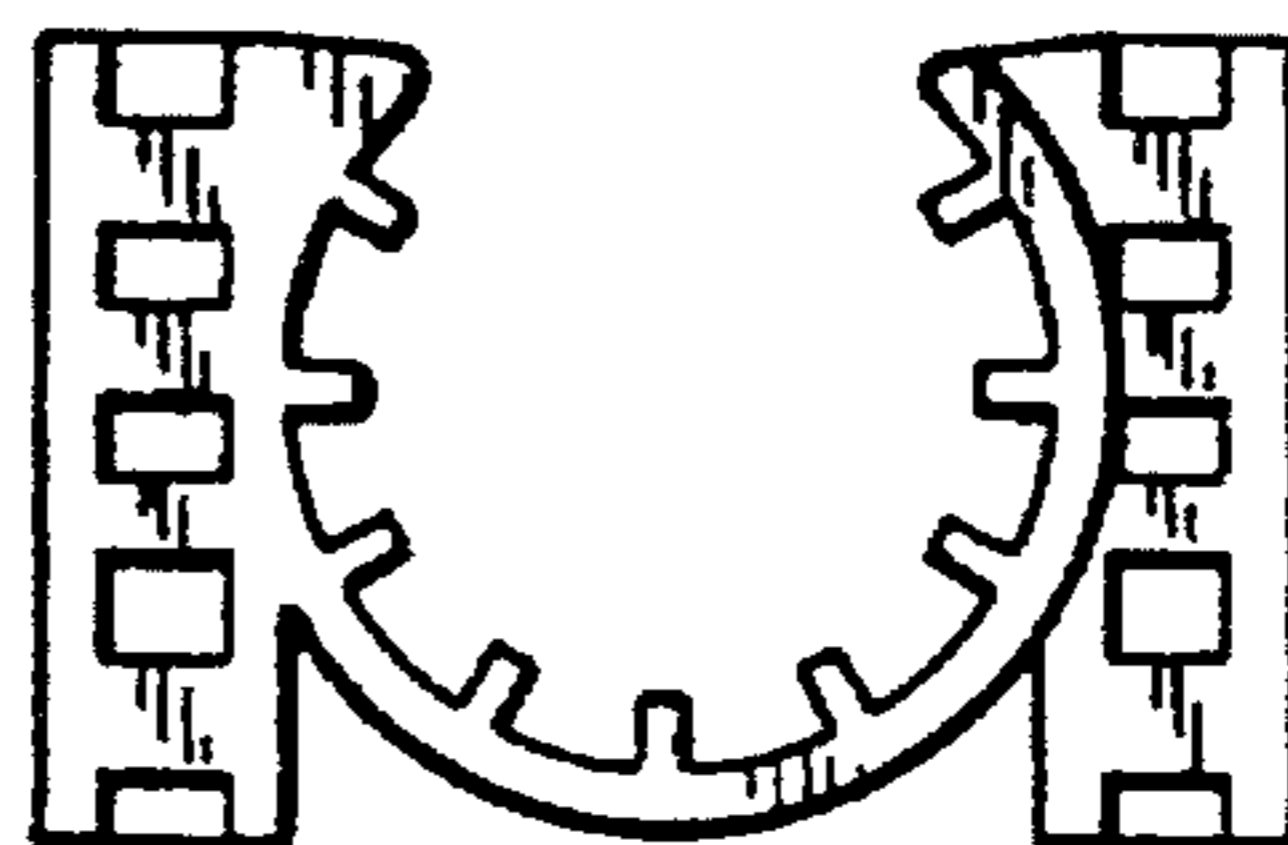


FIG. 7