



US00D368418S

# United States Patent [19] Aida

[11] Patent Number: **Des. 368,418**

[45] Date of Patent: **\*\*Apr. 2, 1996**

[54] **SCISSORS FOR CUTTING A TAPE**

[75] Inventor: **Chieko Aida**, Tokyo, Japan

[73] Assignee: **King Jim Co., Ltd.**, Tokyo, Japan

[\*\*] Term: **14 Years**

[21] Appl. No.: **25,112**

[22] Filed: **Jun. 24, 1994**

[30] **Foreign Application Priority Data**

Dec. 27, 1993 [JP] Japan ..... 5-39228

[52] **U.S. Cl.** ..... **D8/57**

[58] **Field of Search** ..... D8/57, 98; 7/125,  
7/132, 134, 135, 151; 30/252, 253, 254,  
255, 261, 232, 233

[56] **References Cited**

**U.S. PATENT DOCUMENTS**

- D. 277,450 2/1985 Hayashi ..... D8/57
- D. 296,295 6/1988 Cain ..... D8/57
- 5,007,170 4/1991 Mayama ..... 30/232
- 5,097,599 3/1992 Hasegawa ..... 7/135

**FOREIGN PATENT DOCUMENTS**

661661 6/1938 Germany ..... 30/254

*Primary Examiner*—Ted Shooman  
*Assistant Examiner*—Adir Aronovich  
*Attorney, Agent, or Firm*—Orrick Herrington & Sutcliffe

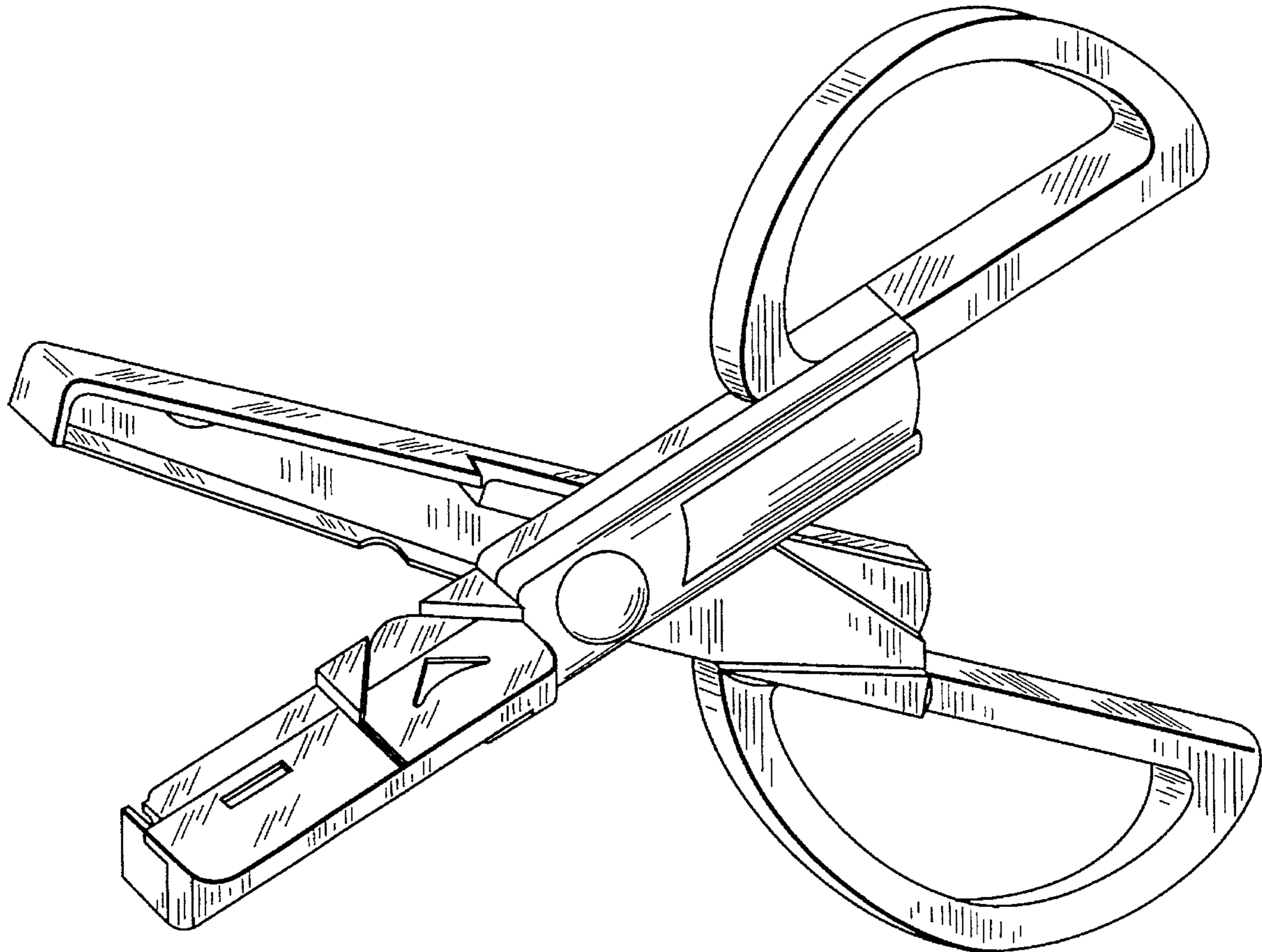
[57] **CLAIM**

The ornamental design for scissors for cutting a tape, as shown and described.

**DESCRIPTION**

FIG. 1 is a top plan view of a scissors for cutting a tape showing my new design;  
FIG. 2 is a bottom plan view thereof;  
FIG. 3 is a right side elevational view thereof;  
FIG. 4 is a left side elevational view thereof;  
FIG. 5 is a front elevational view thereof;  
FIG. 6 is a rear elevational view thereof; and,  
FIG. 7 is a perspective view thereof, the blades being in an alternate position of that shown in FIG. 1.

**1 Claim, 4 Drawing Sheets**



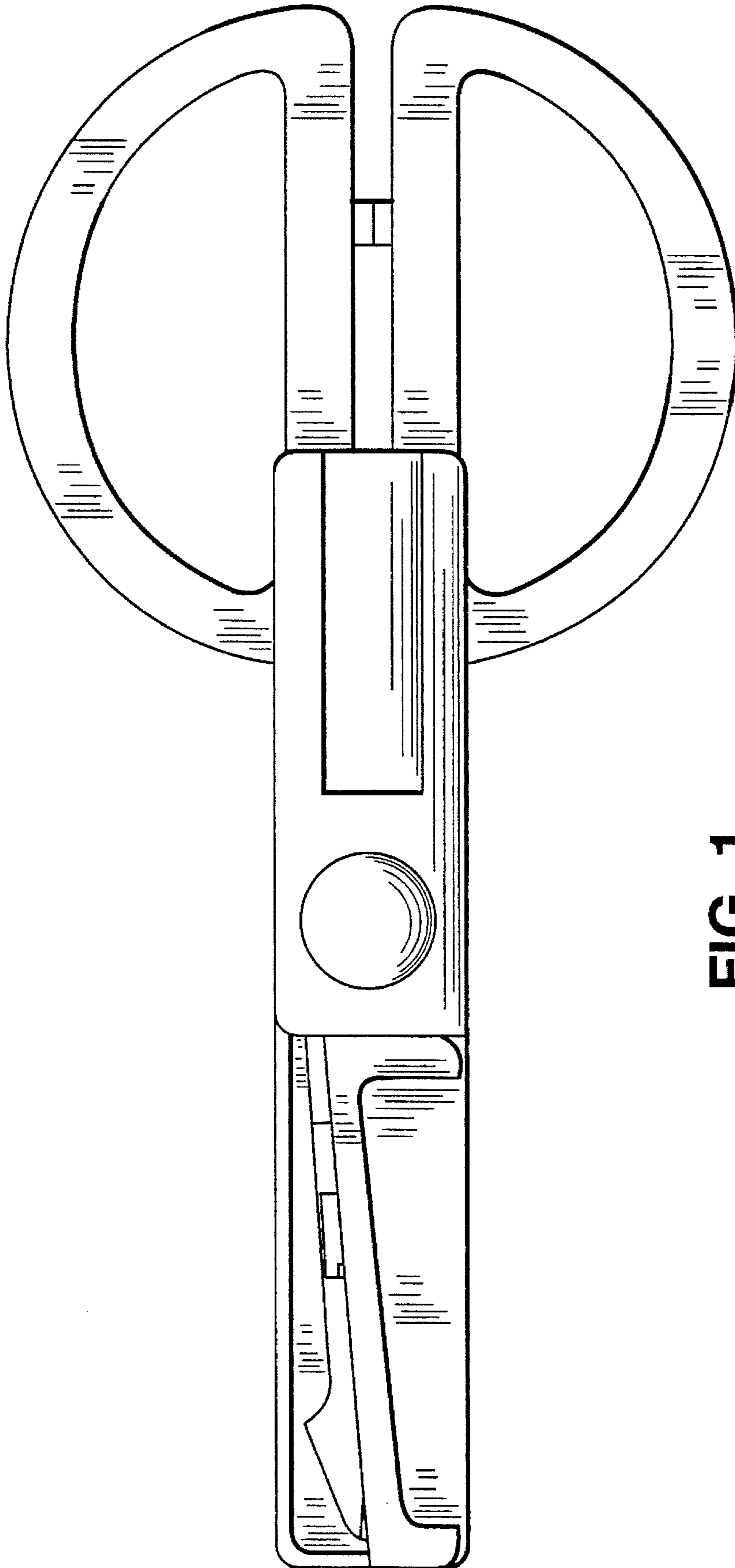


FIG. 1

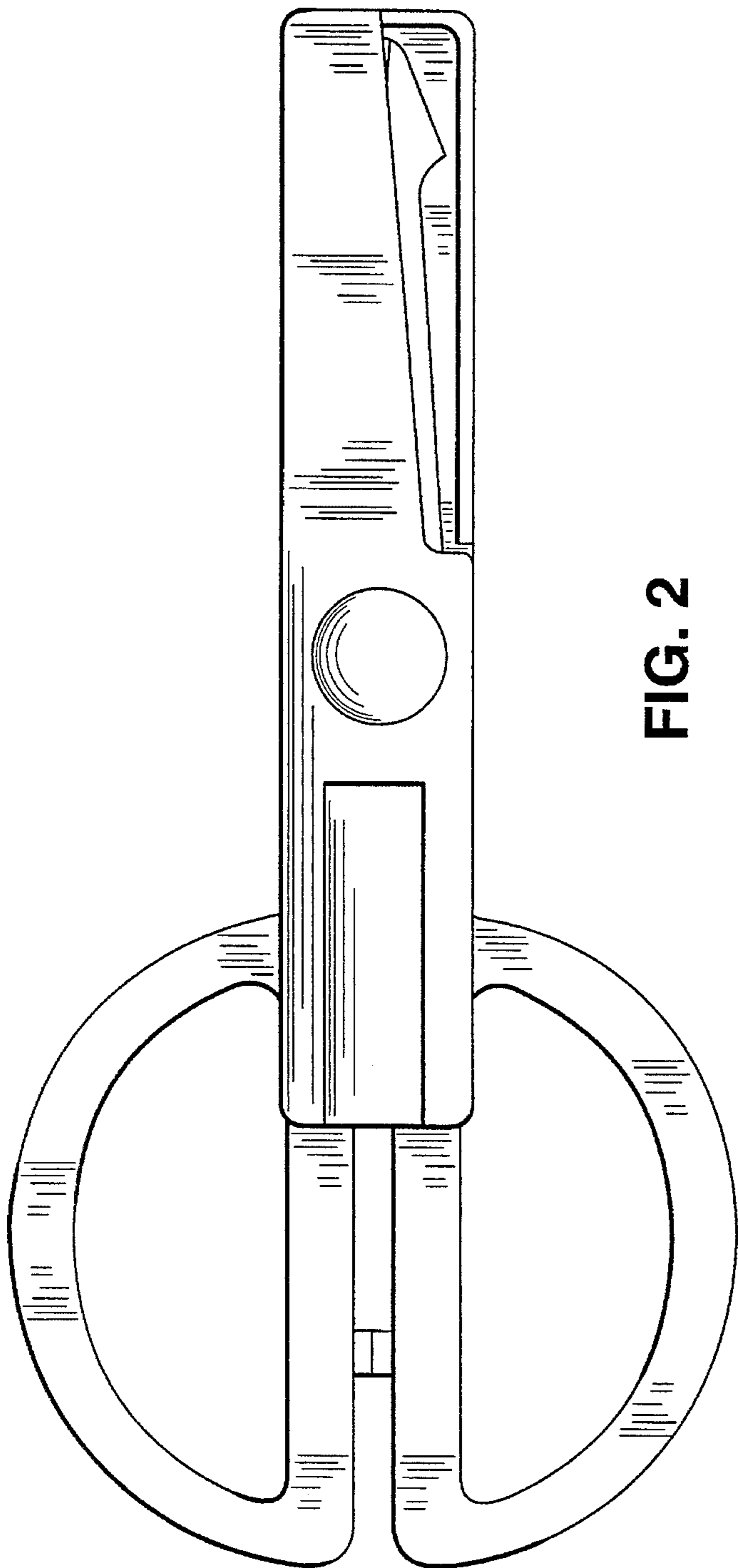


FIG. 2

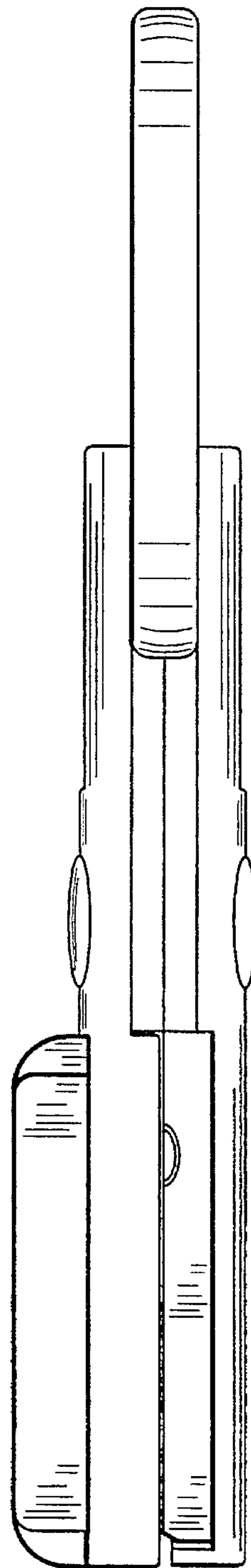


FIG. 3

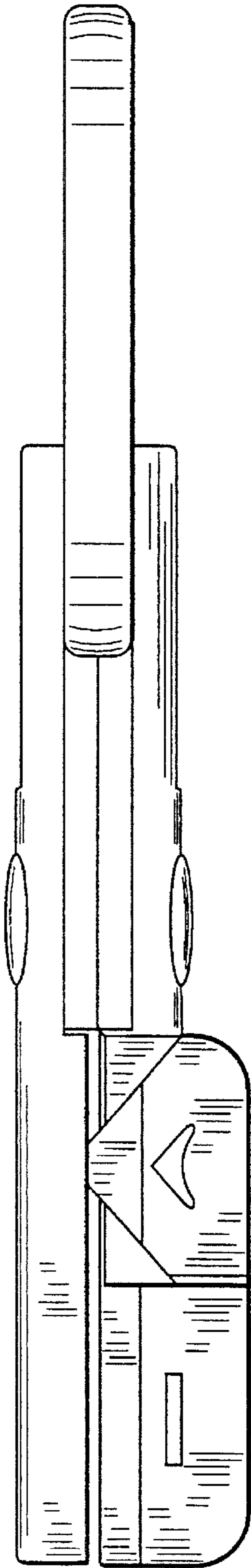


FIG. 4

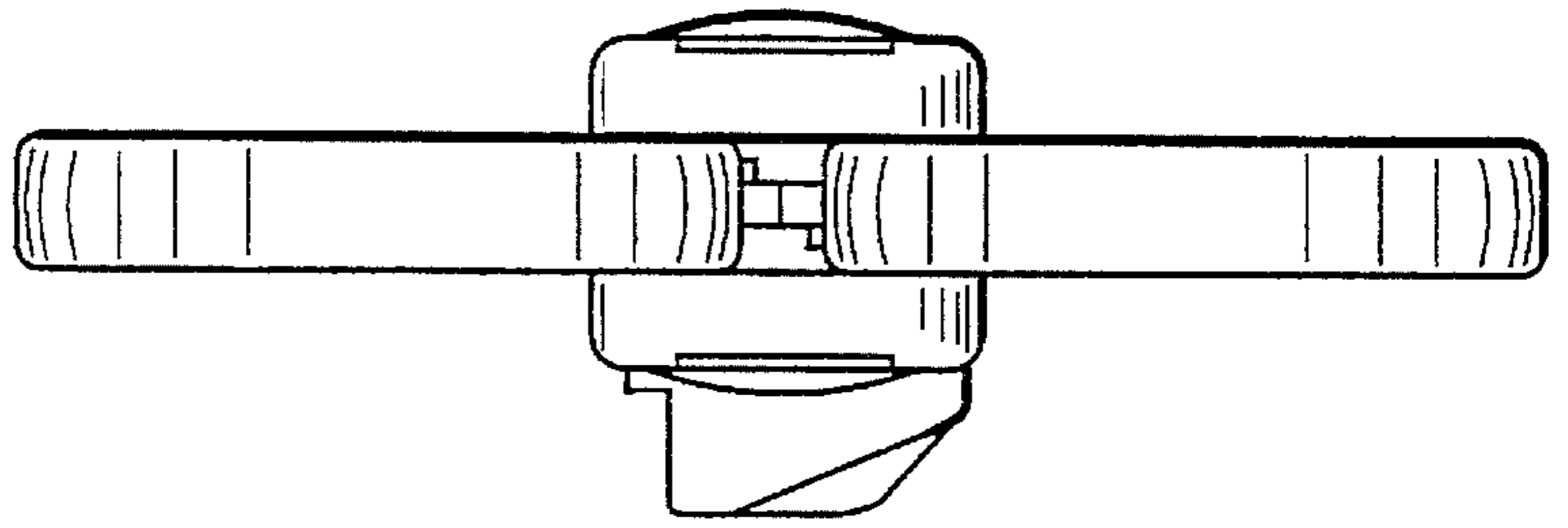


FIG. 6

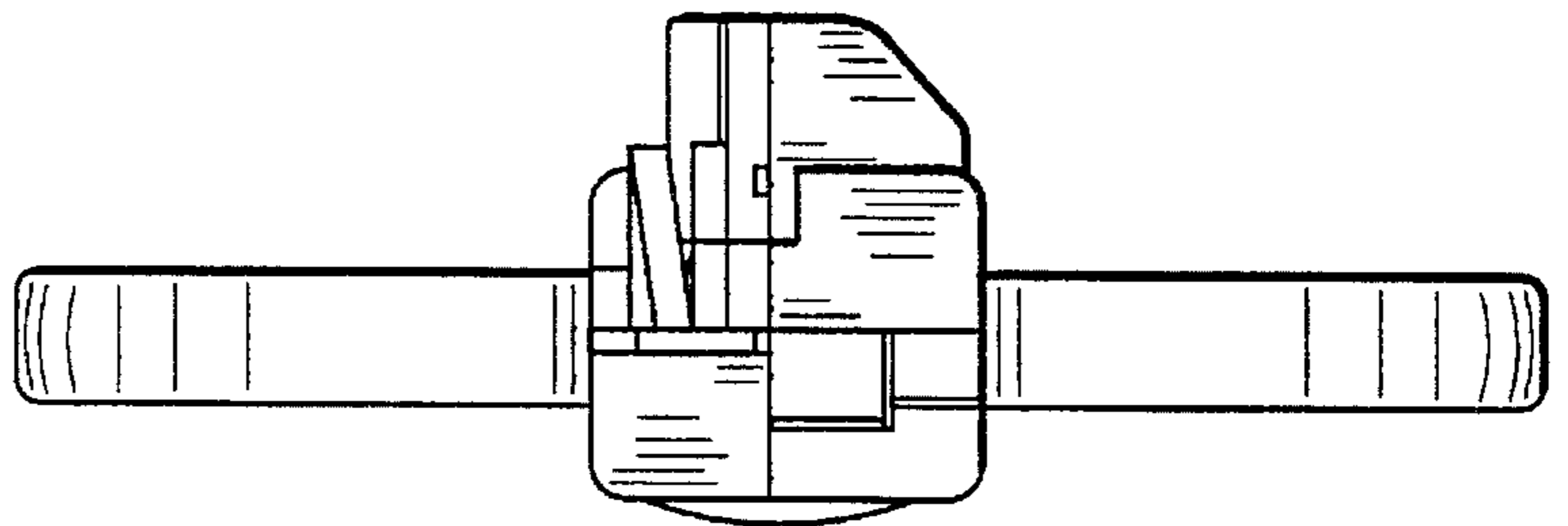


FIG. 5



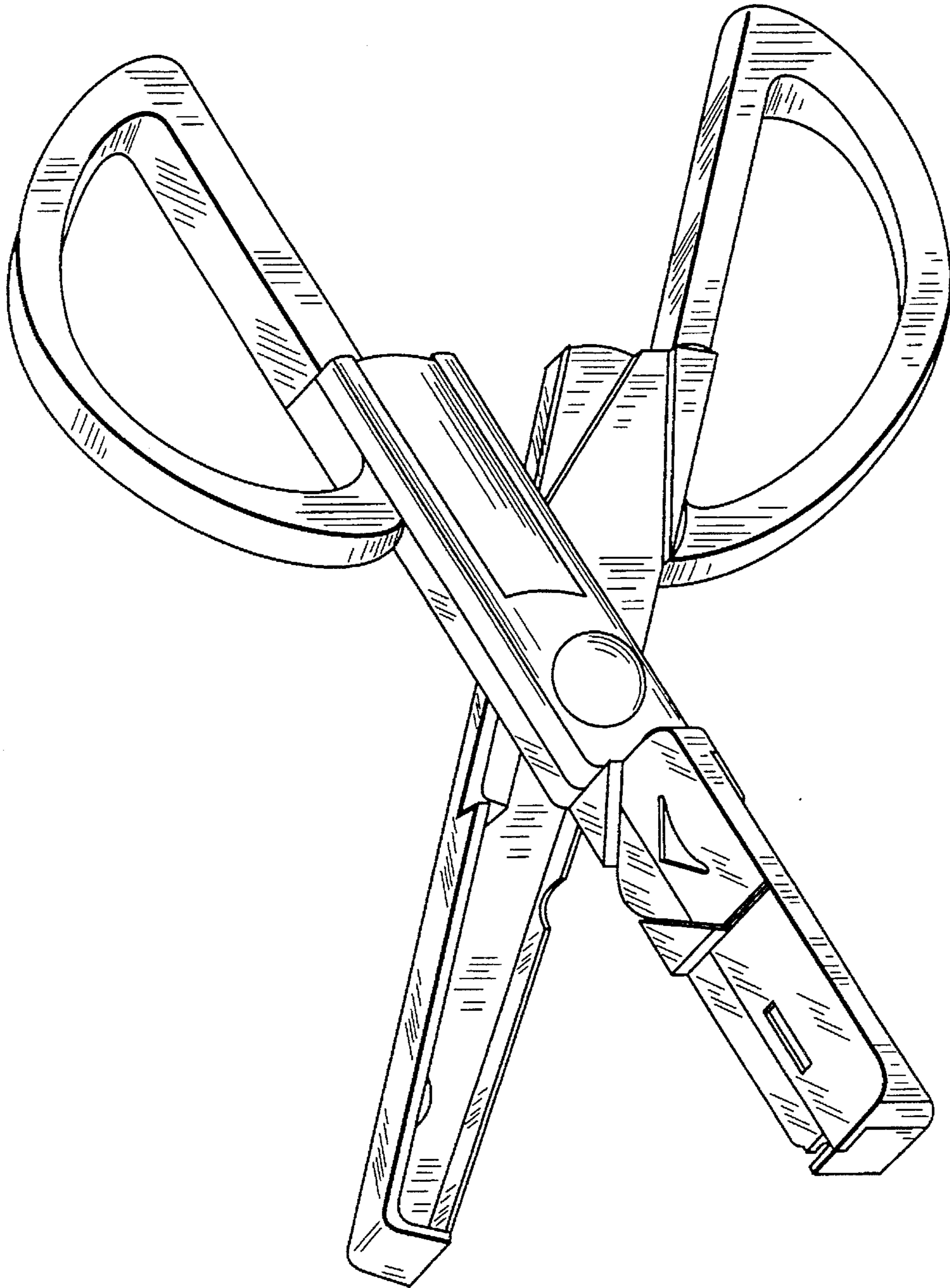


FIG. 7