



US00D368415S

United States Patent [19]

Adams et al.

[11] Patent Number: **Des. 368,415**

[45] Date of Patent: ****Apr. 2, 1996**

[54] **DEVICE FOR HOLDING FISH FOR CLEANING**

[76] Inventors: **Edna Adams; Ronald Adams**, both of 17400 San Juan, Detroit, Mich. 48221

[**] Term: **14 Years**

[21] Appl. No.: **32,618**

[22] Filed: **Dec. 22, 1994**

[52] U.S. Cl. **D7/698**

[58] Field of Search D7/698, 673, 686; 269/15, 289 R; 452/194-196

[56] **References Cited**

U.S. PATENT DOCUMENTS

D. 308,792	6/1990	Lord et al.	D7/698
D. 352,427	11/1994	Burd	D7/698
926,582	6/1909	Meredith, Jr.	D7/698 X
2,511,592	6/1950	Krafczyk	452/195
2,607,070	8/1952	Wertz et al.	452/195
3,518,719	7/1970	Anderson	452/195
3,908,231	9/1975	Price et al.	D7/698 X
4,017,063	4/1977	Brusich	D7/698 X

4,226,004 10/1980 Zimmerman .

4,510,644 4/1985 Sheh .

4,945,608 8/1990 Majure .

Primary Examiner—Alan P. Douglas
Assistant Examiner—Caron D. Veynar
Attorney, Agent, or Firm—Terry M. Gernstein

[57] **CLAIM**

The ornamental design for a device for holding fish for cleaning, as shown and described.

DESCRIPTION

FIG. 1 is a front, top and side perspective view of the device for holding fish for cleaning showing our new design, the device being shown separated for the sake of clarity of illustration.

FIG. 2 is a front elevational view thereof;

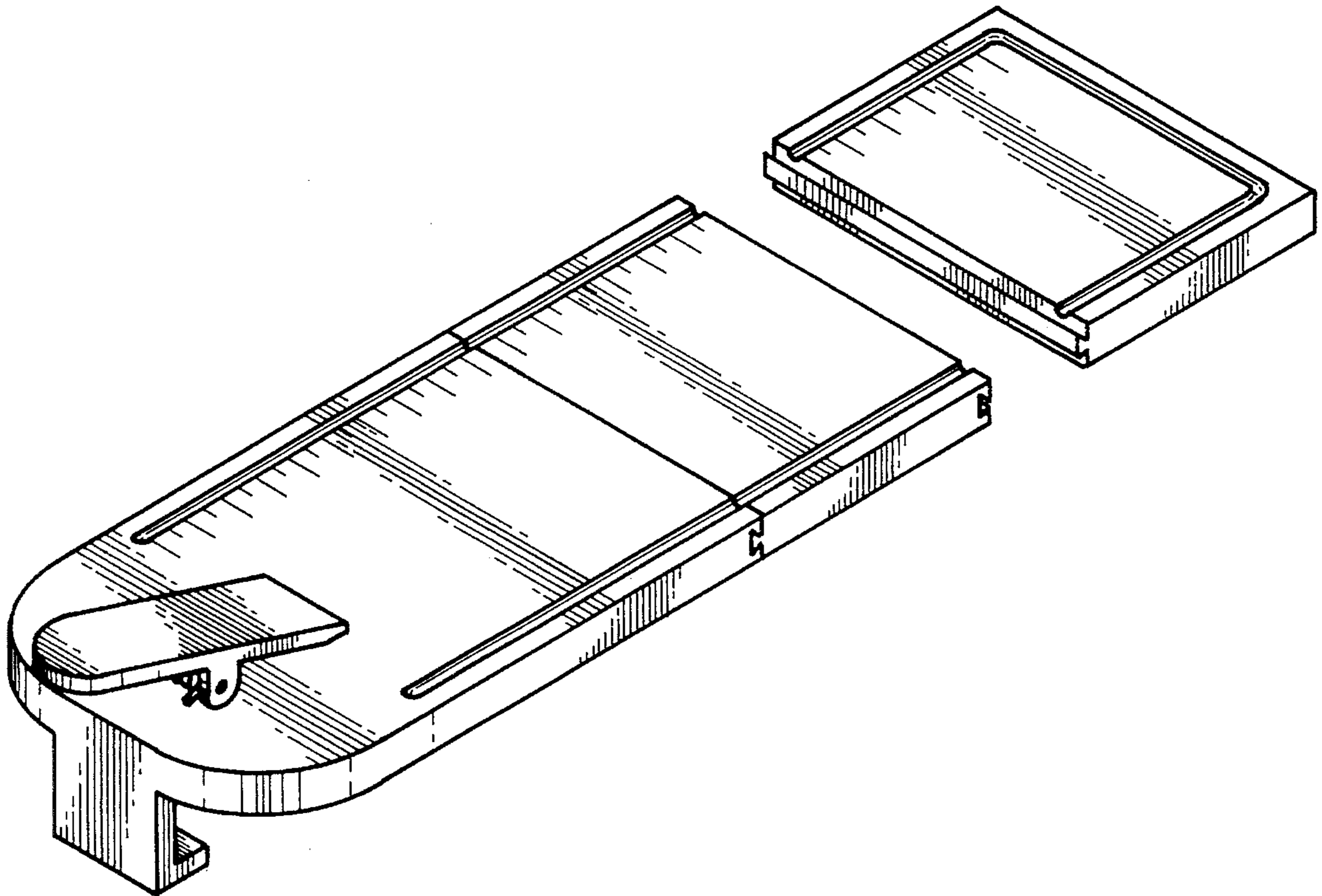
FIG. 3 is a rear elevational view thereof;

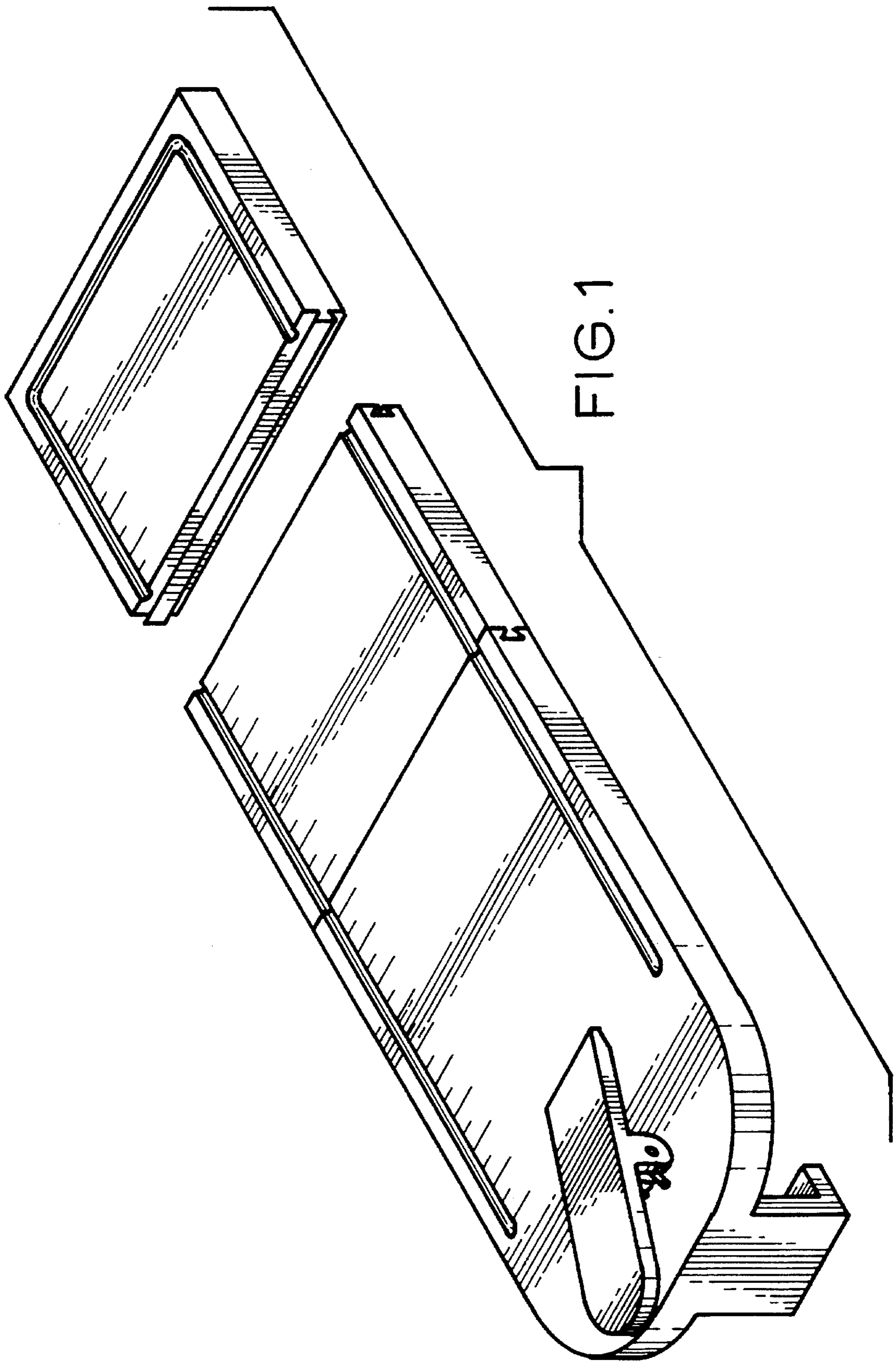
FIG. 4 is a side elevational view thereof, the side opposite being a mirror image of the side shown in FIG. 4;

FIG. 5 is a top plan view thereof; and,

FIG. 6 is a bottom plan view thereof;

1 Claim, 3 Drawing Sheets





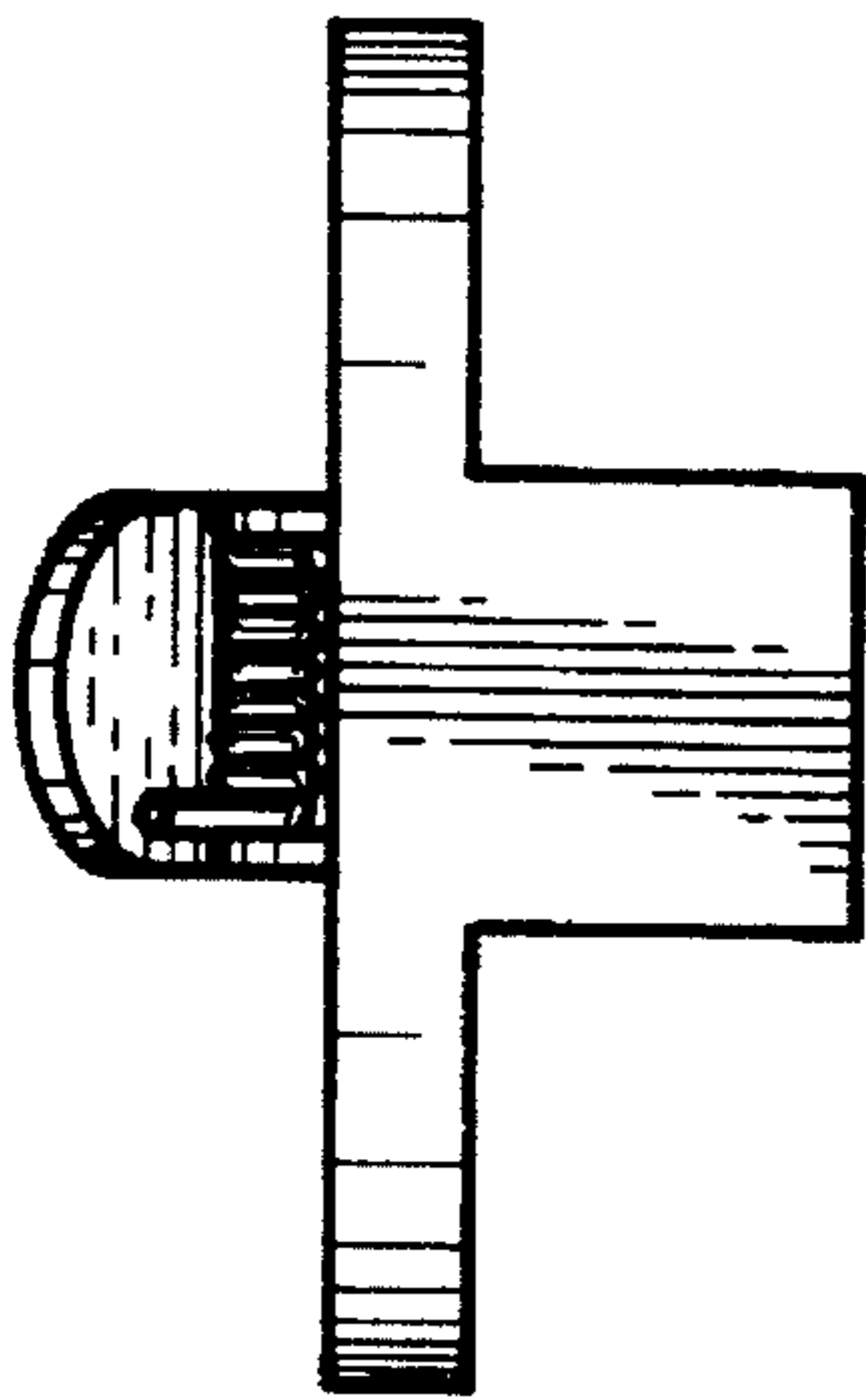


FIG. 2

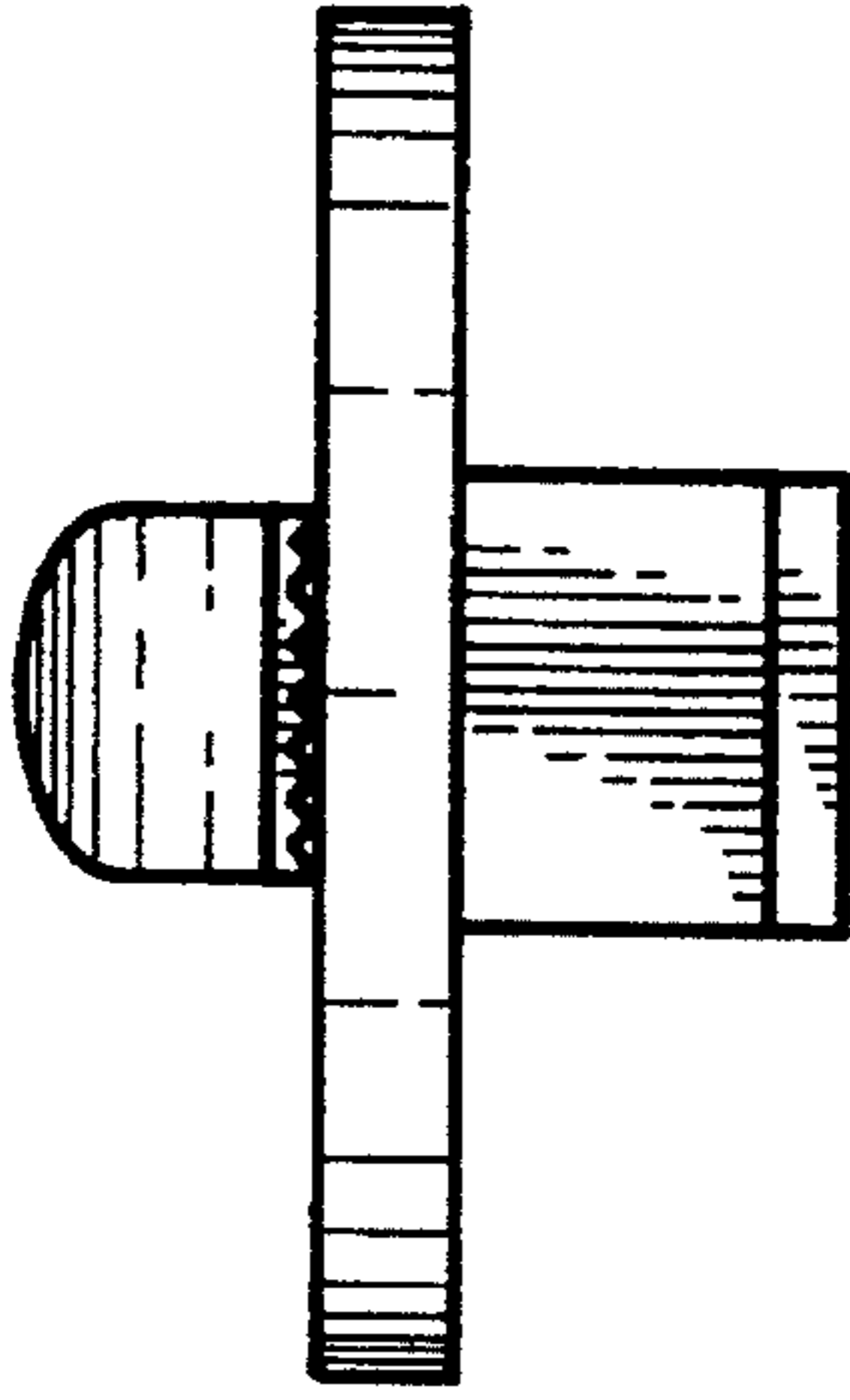


FIG. 3

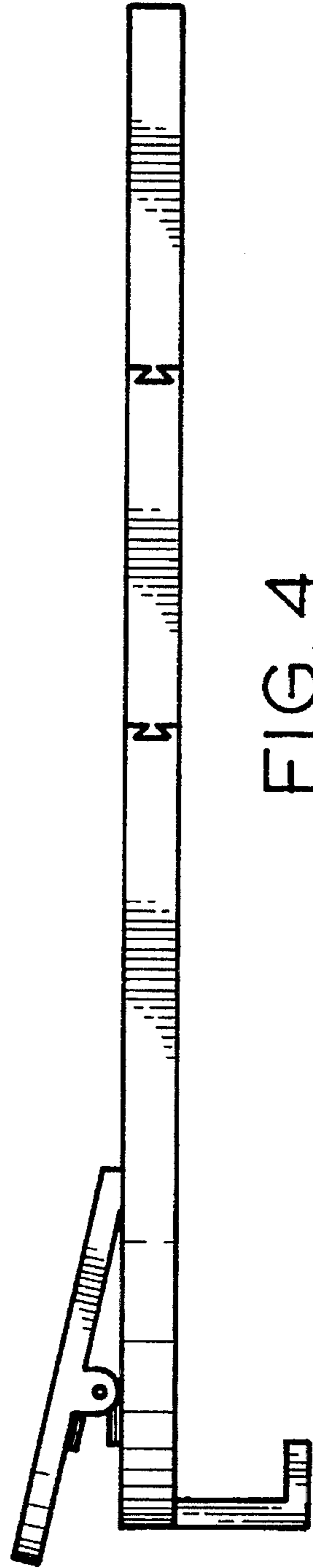


FIG. 4

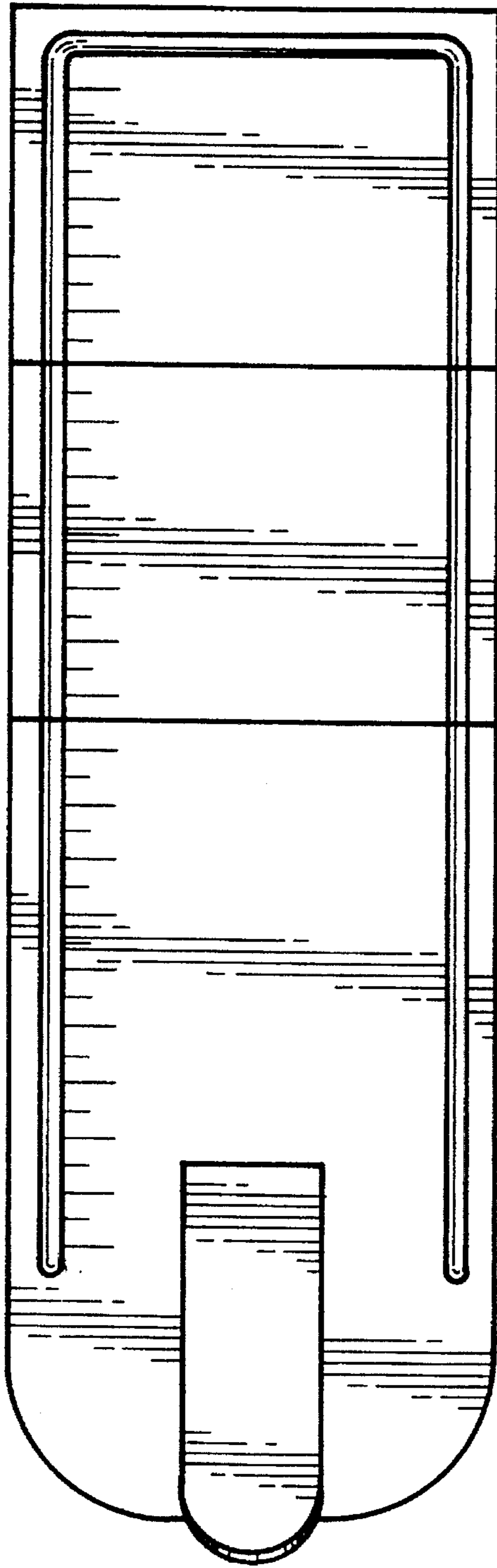


FIG. 5

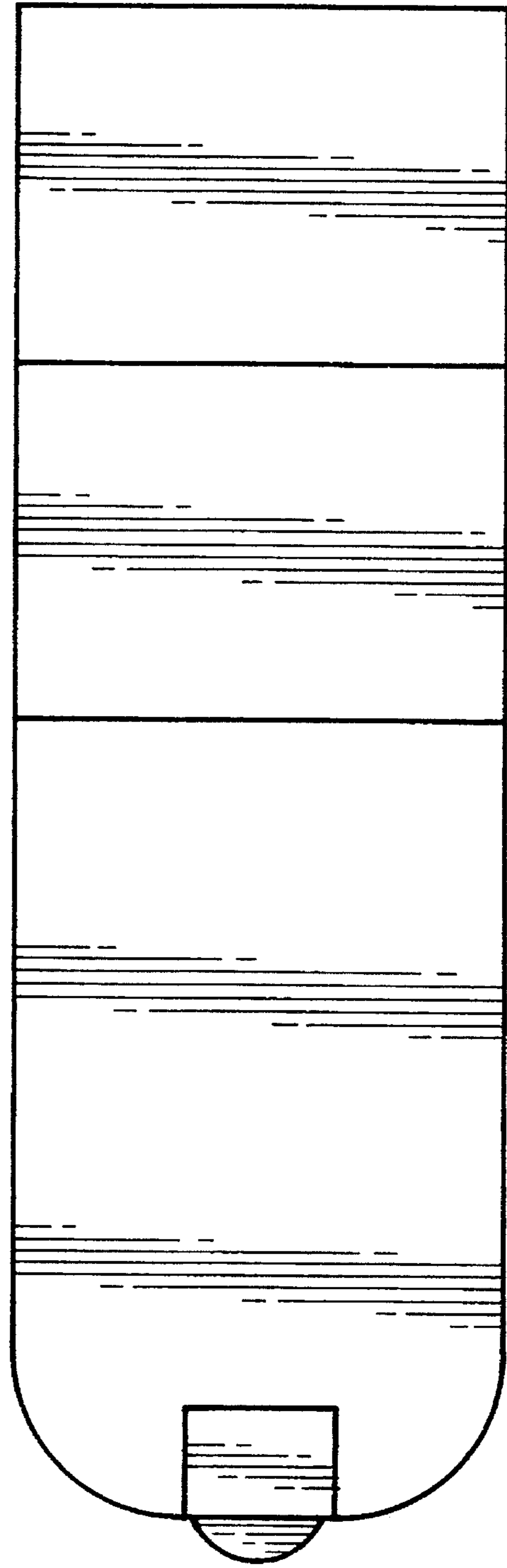


FIG. 6