



US00D368414S

United States Patent [19]

VanHalteren et al.

[11] Patent Number: **Des. 368,414**

[45] Date of Patent: ****Apr. 2, 1996**

[54] EGG MOLD

3,131,846 5/1964 Whiteford D9/341 X

[76] Inventors: **Jacob VanHalteren**, 202 Duncan Rd.,
Richmond Hill, Ontario, Canada, L4C
6J9; **Steve Burke**, 47 Valley Brook Dr.,
Don Mills, Ontario, Canada, M3B 2S6

Primary Examiner—Terry A. Wallace
Attorney, Agent, or Firm—Greer, Burns & Crain, Ltd.

[**] Term: **14 Years**

[57] CLAIM

The ornamental design for an egg mold, as shown and described.

[21] Appl. No.: **35,889**

DESCRIPTION

[22] Filed: **Mar. 8, 1995**

[30] Foreign Application Priority Data

Jan. 9, 1995 [CA] Canada 1995-0045

[52] U.S. Cl. **D7/675**; D9/341

[58] Field of Search D7/611, 672-675;
D9/341; 206/521.6; 229/2.5 EC, 2.5 R;
249/119, 121

FIG. 1 is a perspective view of an egg mold showing my new design;

FIG. 2 is a perspective view thereof in a closed position;

FIG. 3 is a top plan view of FIG. 1;

FIG. 4 is a bottom plan view of FIG. 1;

FIG. 5 is a side elevation view of FIG. 2;

FIG. 6 is a front elevation view of FIG. 2;

FIG. 7 is a rear elevation view of FIG. 2; and,

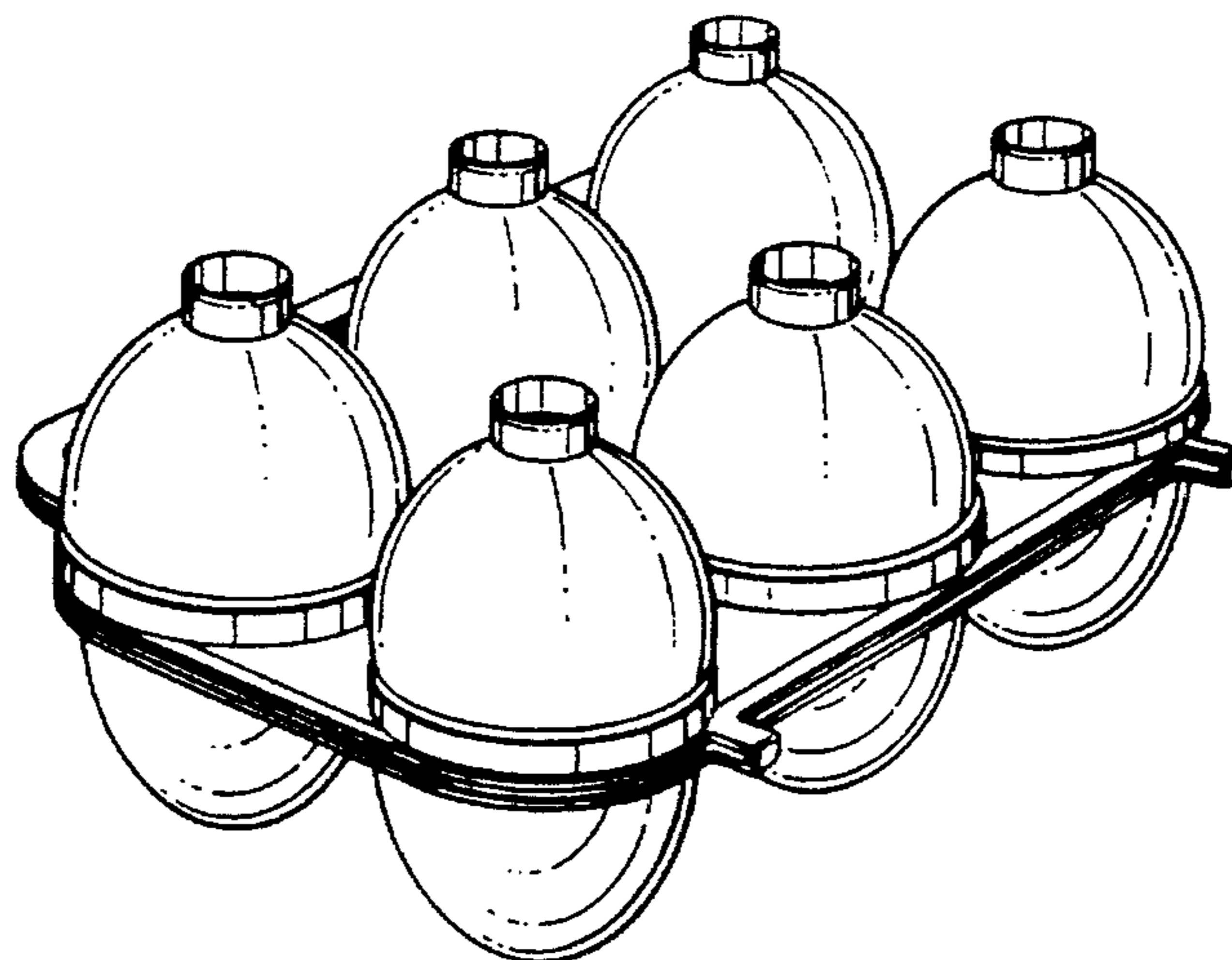
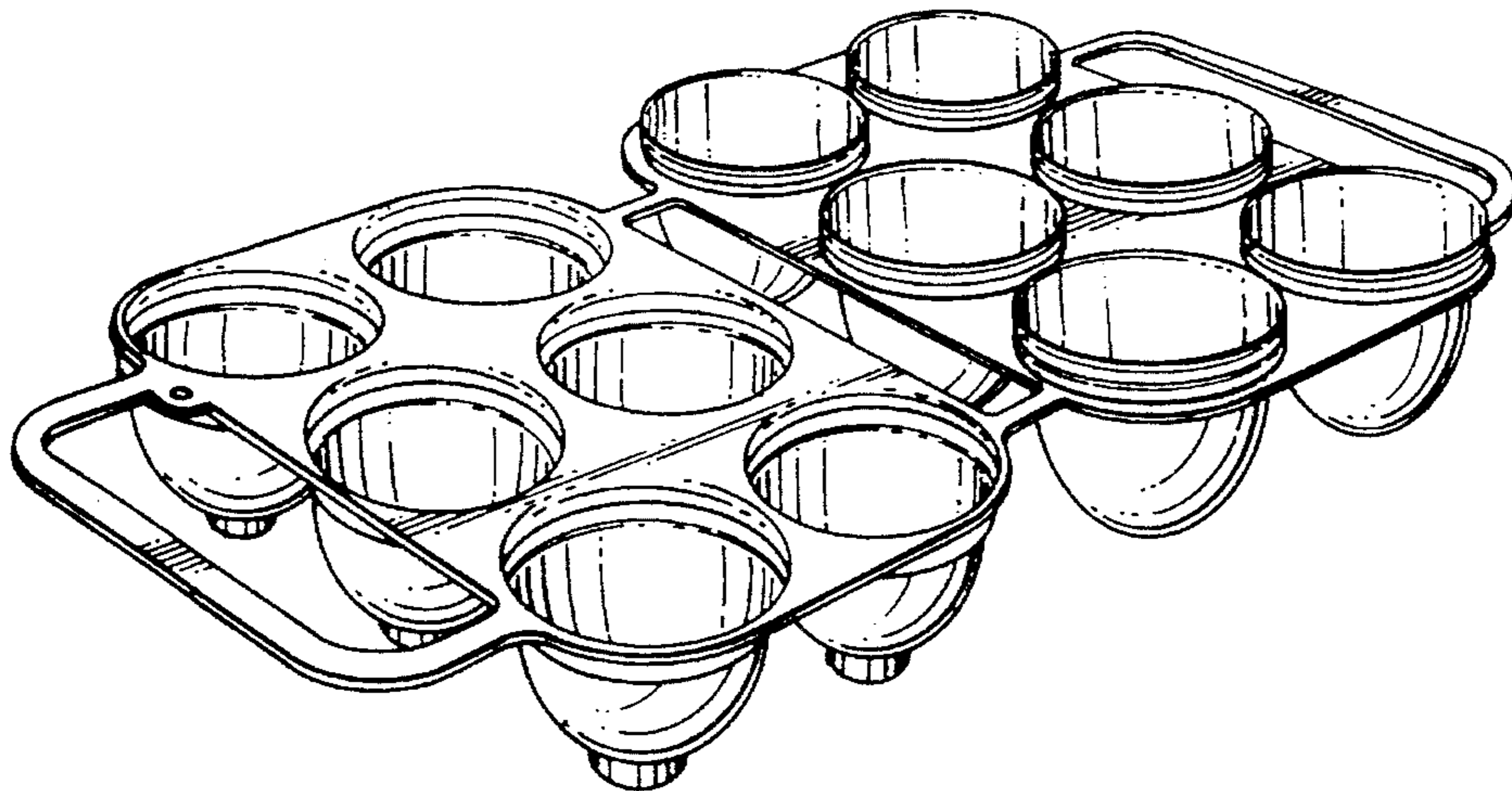
FIG. 8 is a side elevation view of FIG. 1.

[56] References Cited

U.S. PATENT DOCUMENTS

D. 346,552 5/1994 Krupa D9/341

1 Claim, 5 Drawing Sheets



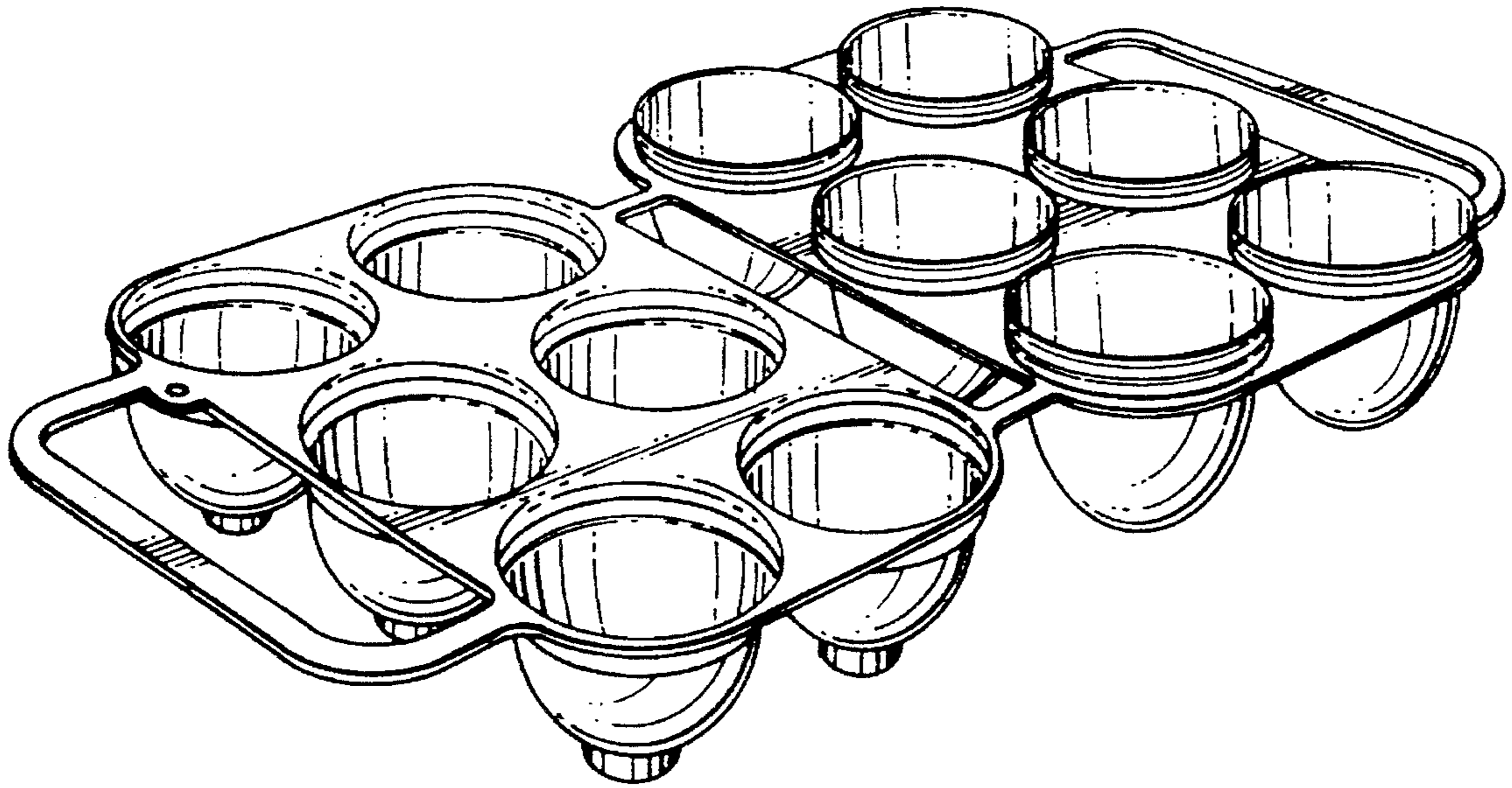


FIG. 1

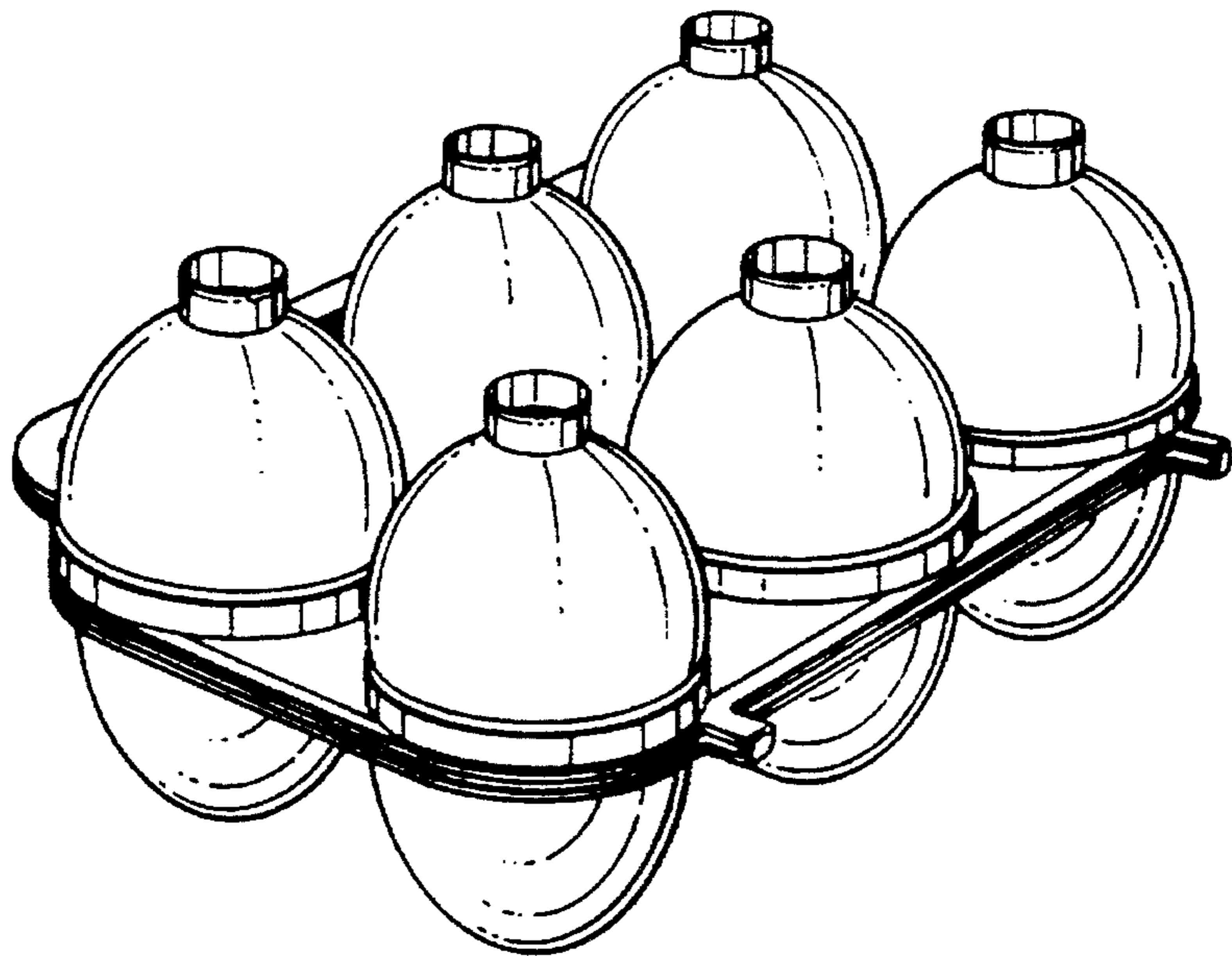


FIG. 2

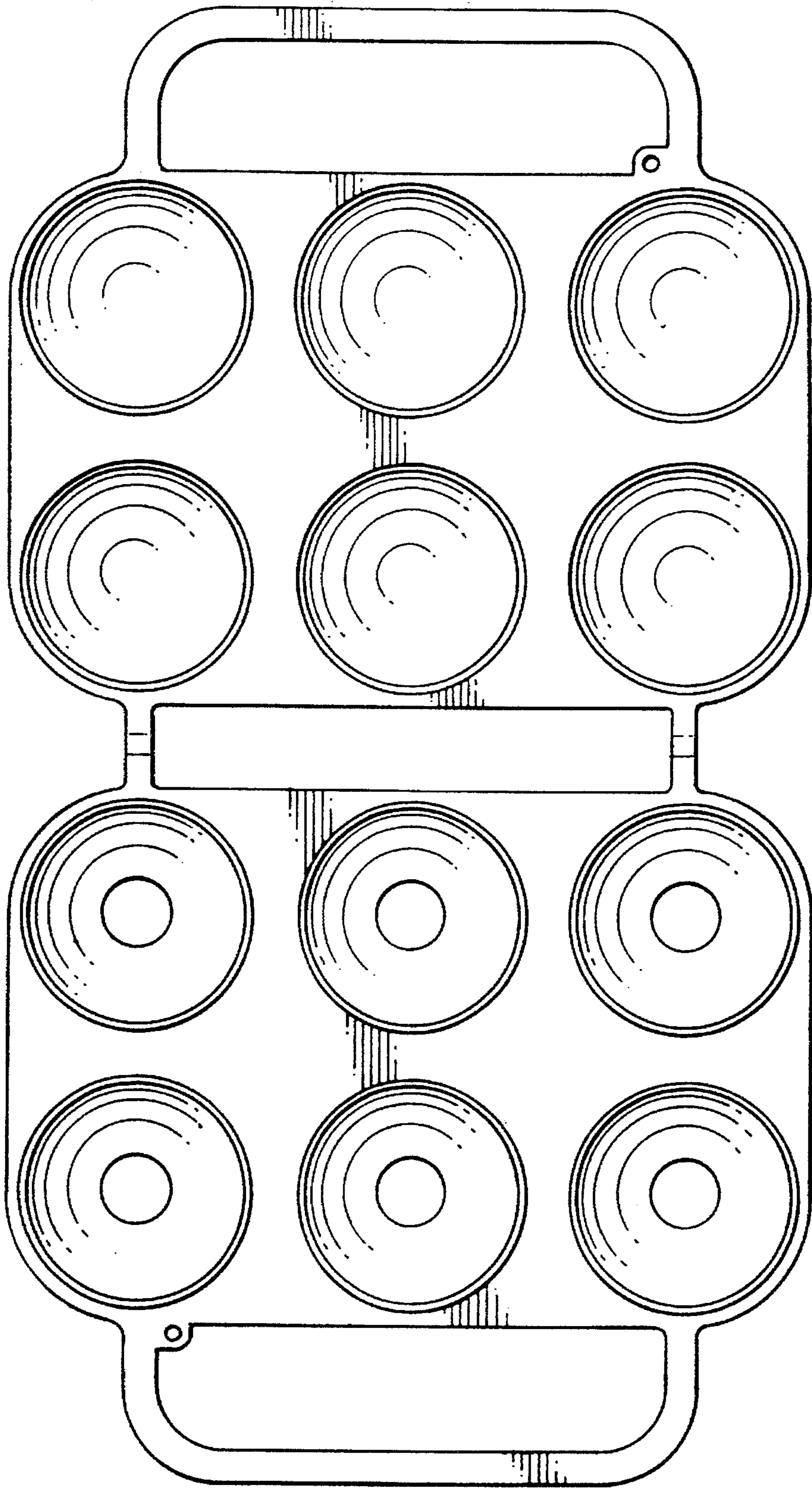


FIG. 3

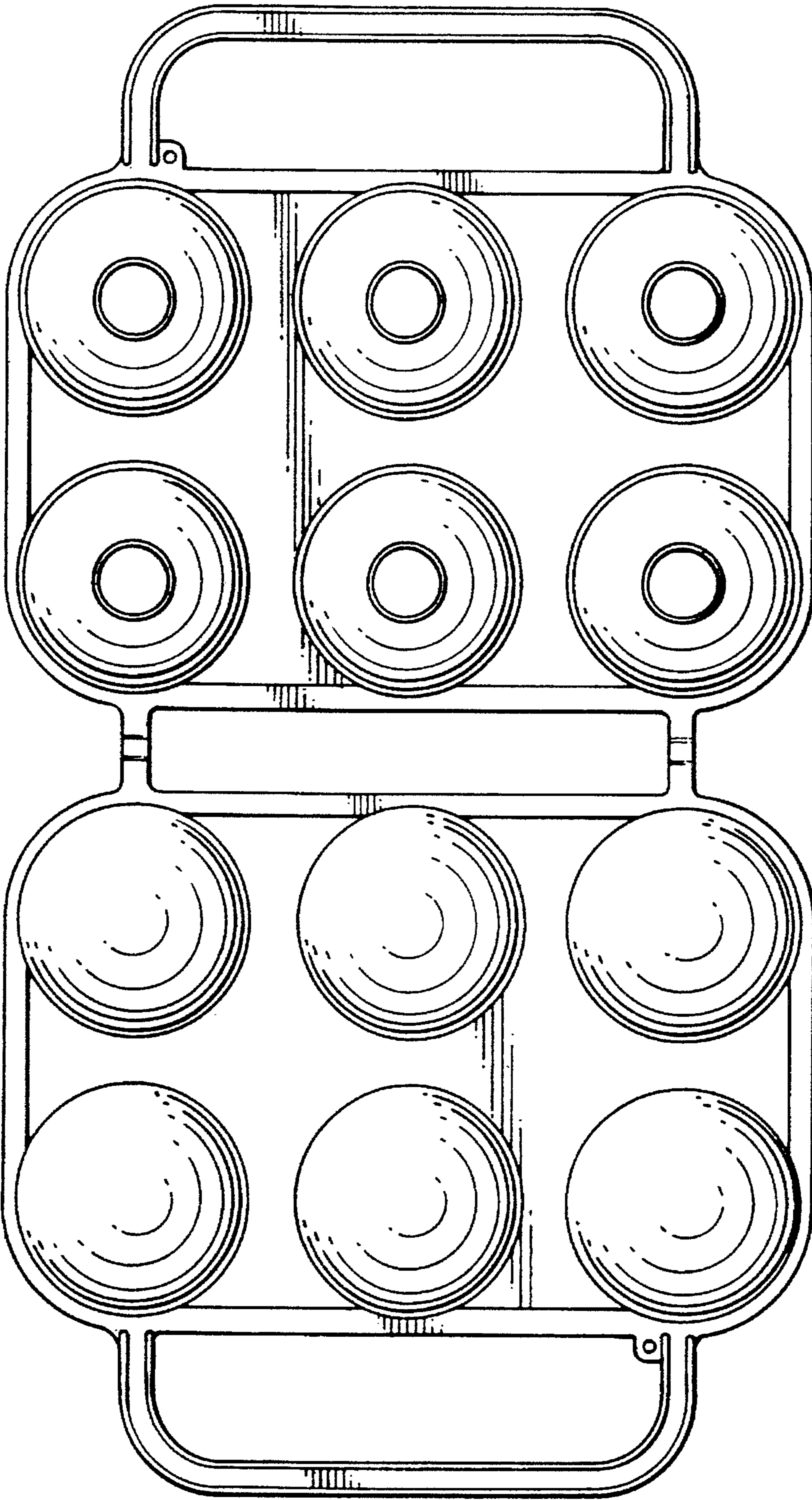


FIG. 4

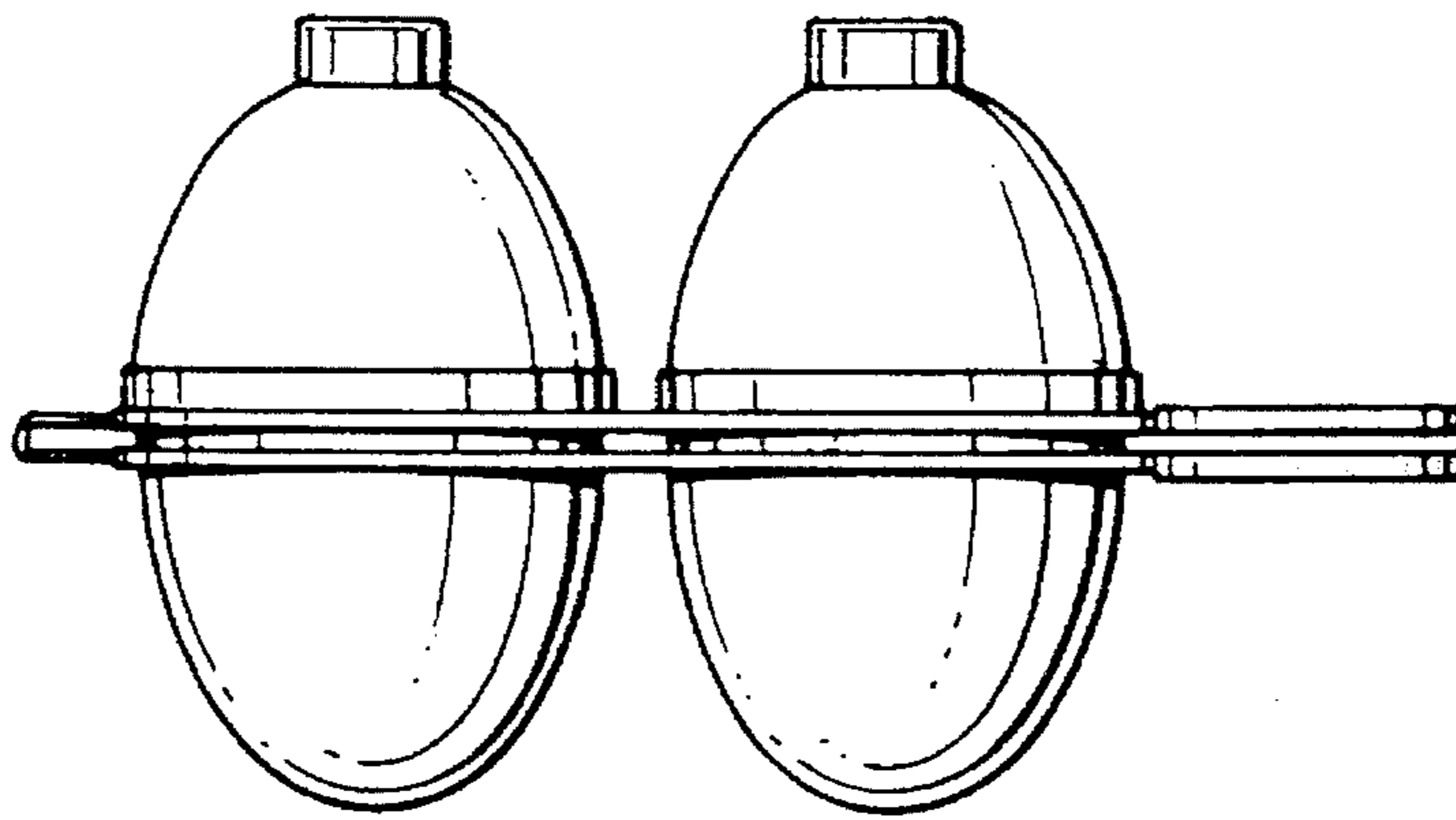


FIG. 5

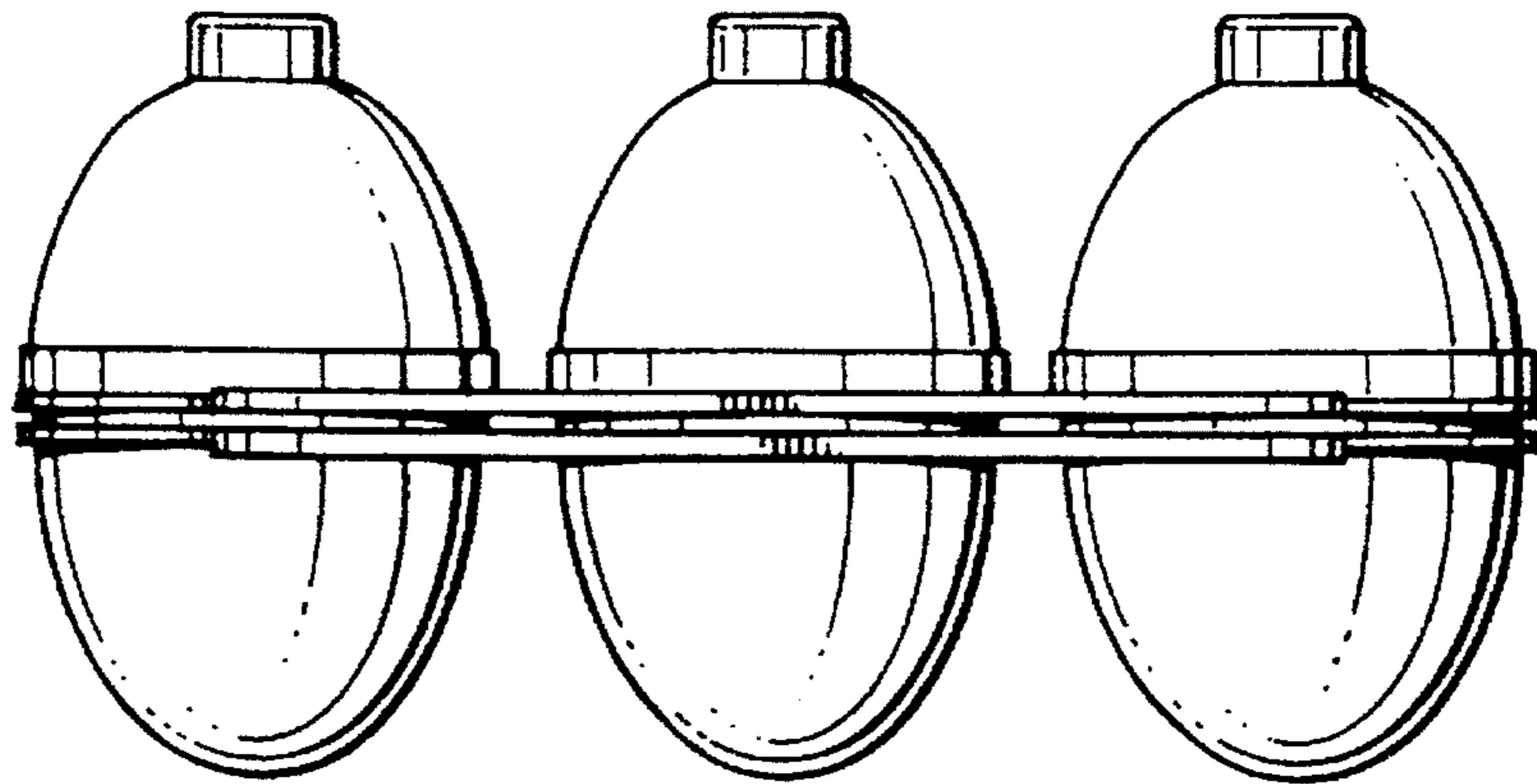


FIG. 6

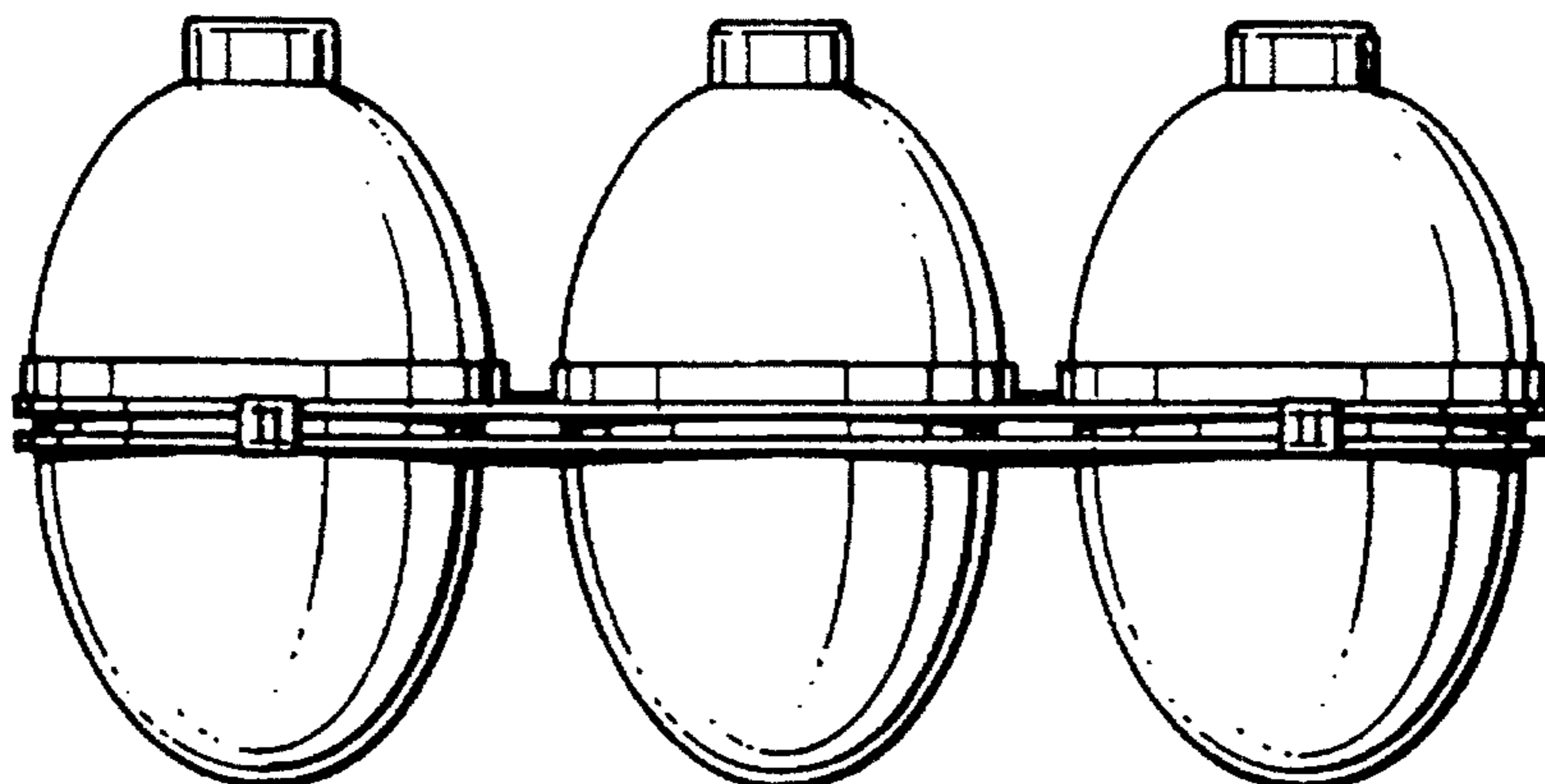


FIG. 7

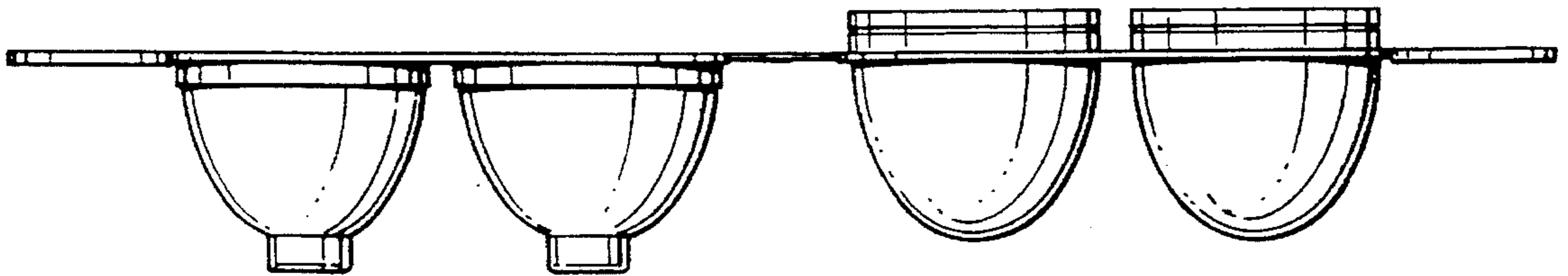


FIG. 8