



US00D368412S

United States Patent [19]

[11] **Patent Number: Des. 368,412**

Lin

[45] **Date of Patent: **Apr. 2, 1996**

[54] **HOLDER**

[76] Inventor: **Cheng-Tung Lin**, No. 23, Lane 146, Yen-Hsing Rd., Yung-Kang City, Tainan Hsien, Taiwan

[**] Term: **14 Years**

[21] Appl. No.: **36,856**

[22] Filed: **Mar. 29, 1995**

[52] U.S. Cl. **D7/637; D19/77**

[58] **Field of Search** **D7/637-641; D3/201, D3/315; D19/75, 77, 81, 85; 206/553; 211/70.6, 70.7, 71, 78**

[56] **References Cited**

U.S. PATENT DOCUMENTS

- D. 169,433 4/1953 Goldman D7/641
- D. 317,699 6/1991 Lin D7/638
- D. 333,594 3/1993 Lin D7/638 X

OTHER PUBLICATIONS

Design 375, Mar. 1980, p. 22, Cutlery Tree.

Primary Examiner—Terry A. Wallace
Attorney, Agent, or Firm—Darby & Darby

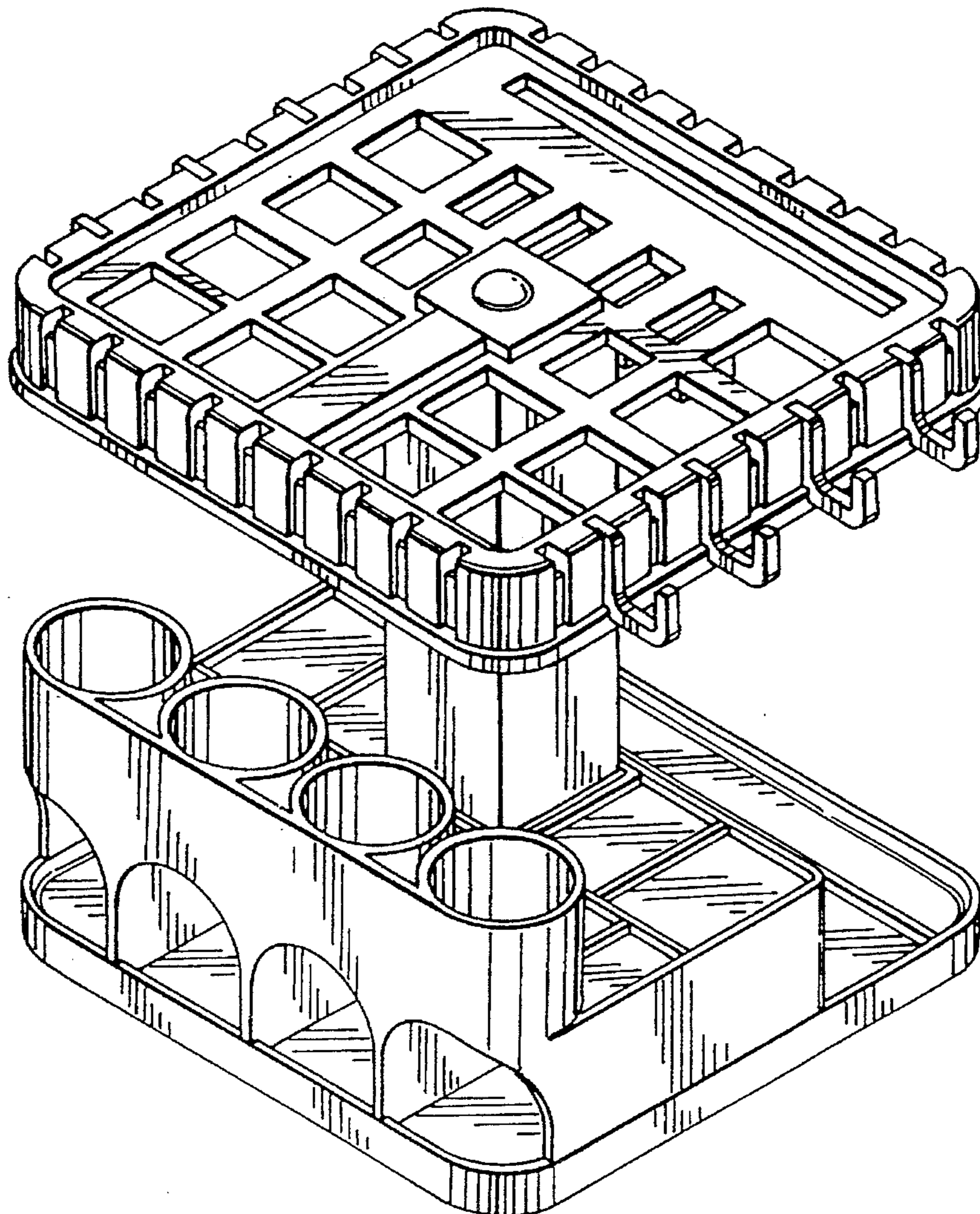
[57] **CLAIM**

The ornamental design for a holder, as shown and described.

DESCRIPTION

FIG. 1 is a perspective view of a holder showing my new design;
 FIG. 2 is a front elevational view thereof;
 FIG. 3 is a rear elevational view thereof;
 FIG. 4 is a left side elevational view thereof;
 FIG. 5 is a right side elevational view thereof;
 FIG. 6 is a top plan view thereof; and,
 FIG. 7 is a bottom plan view thereof.

1 Claim, 4 Drawing Sheets



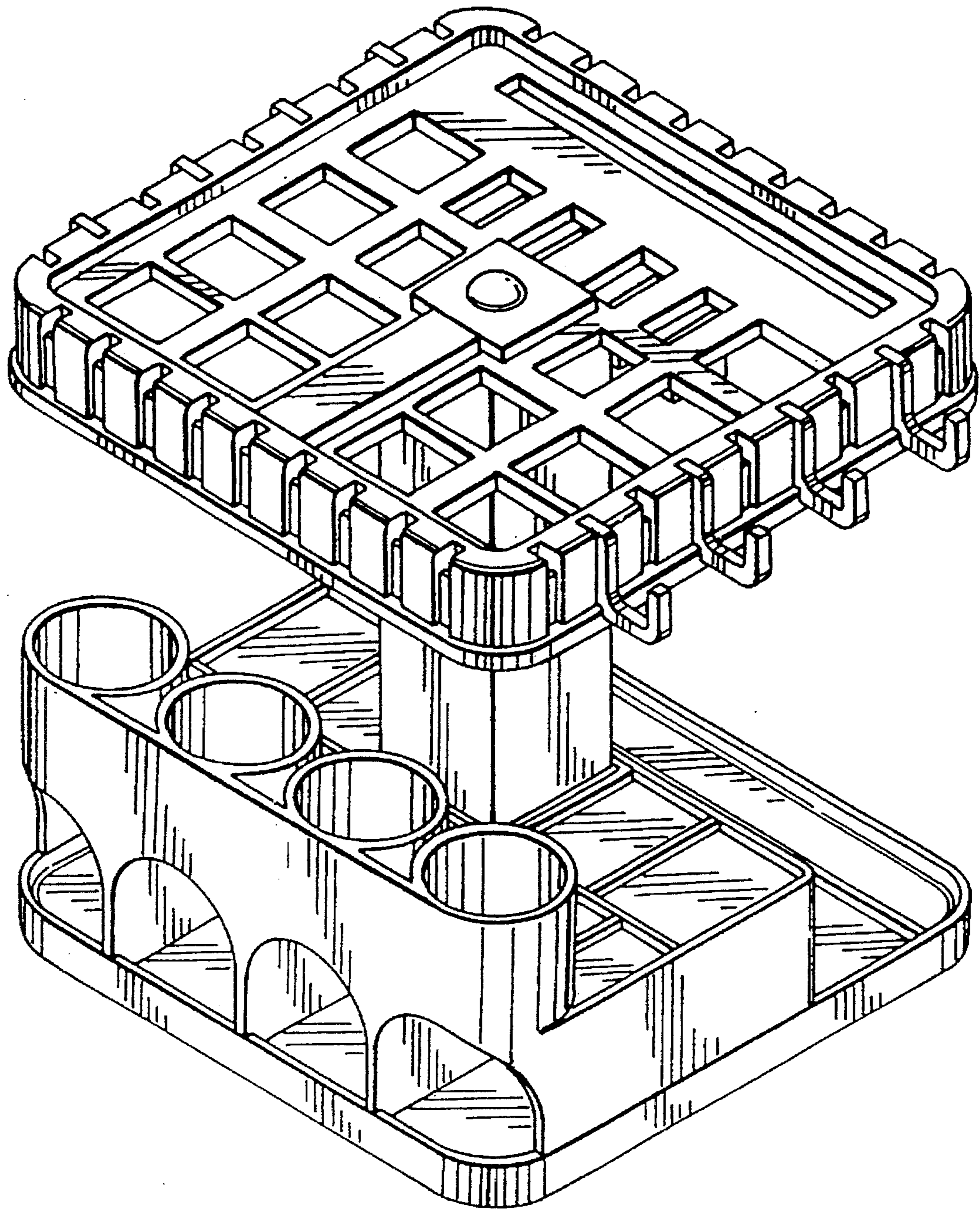


FIG. 1

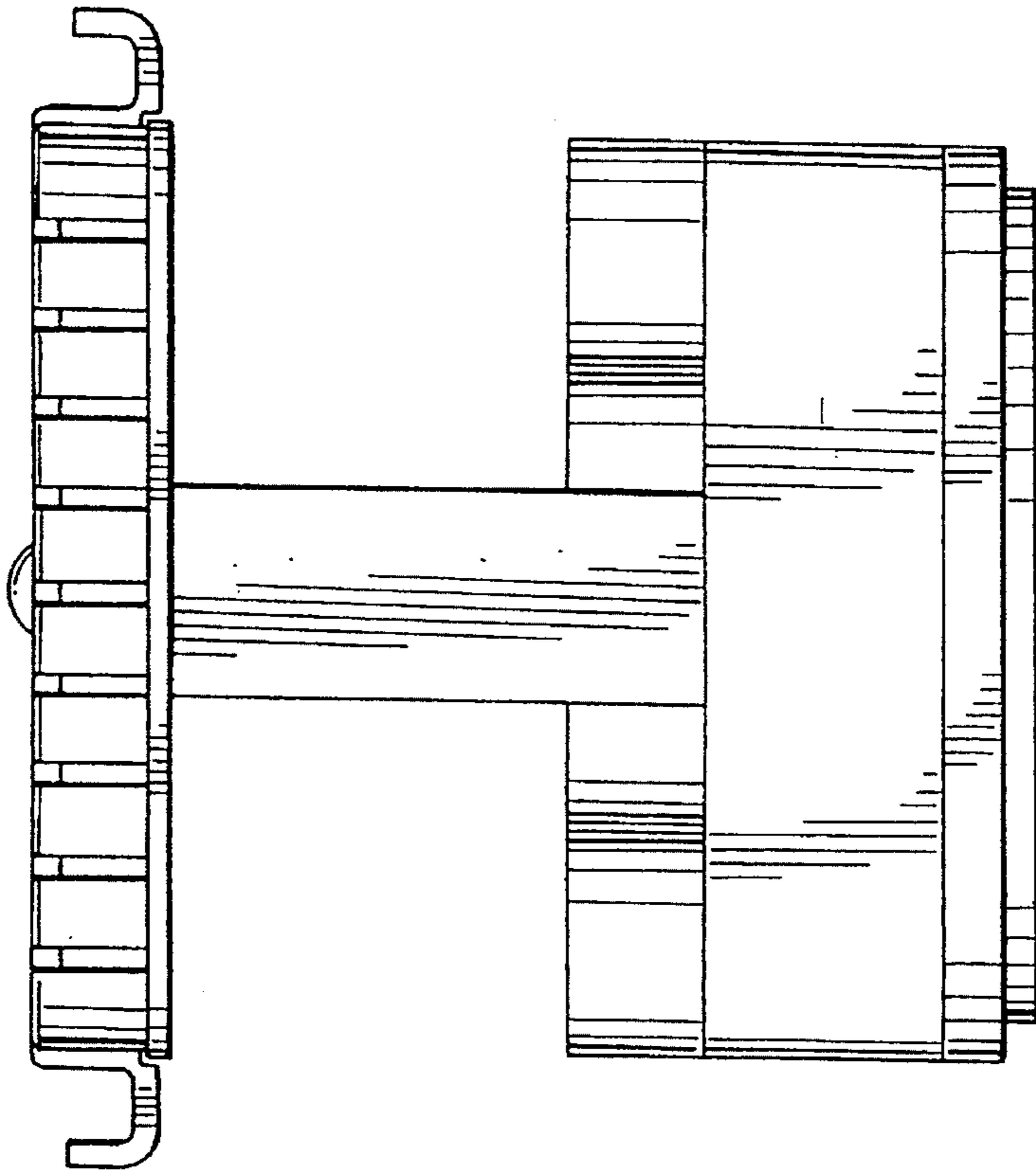


FIG. 3

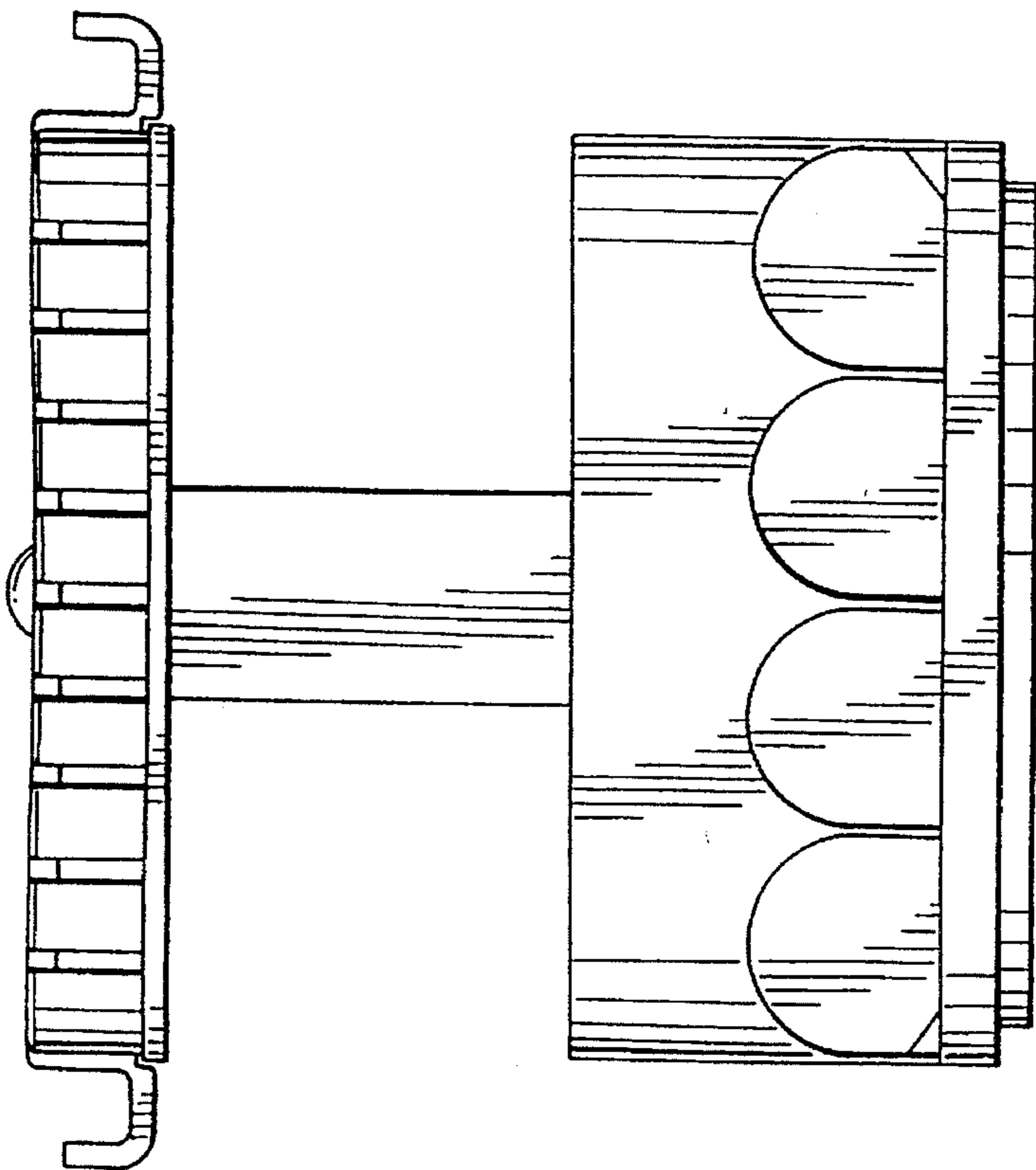


FIG. 2

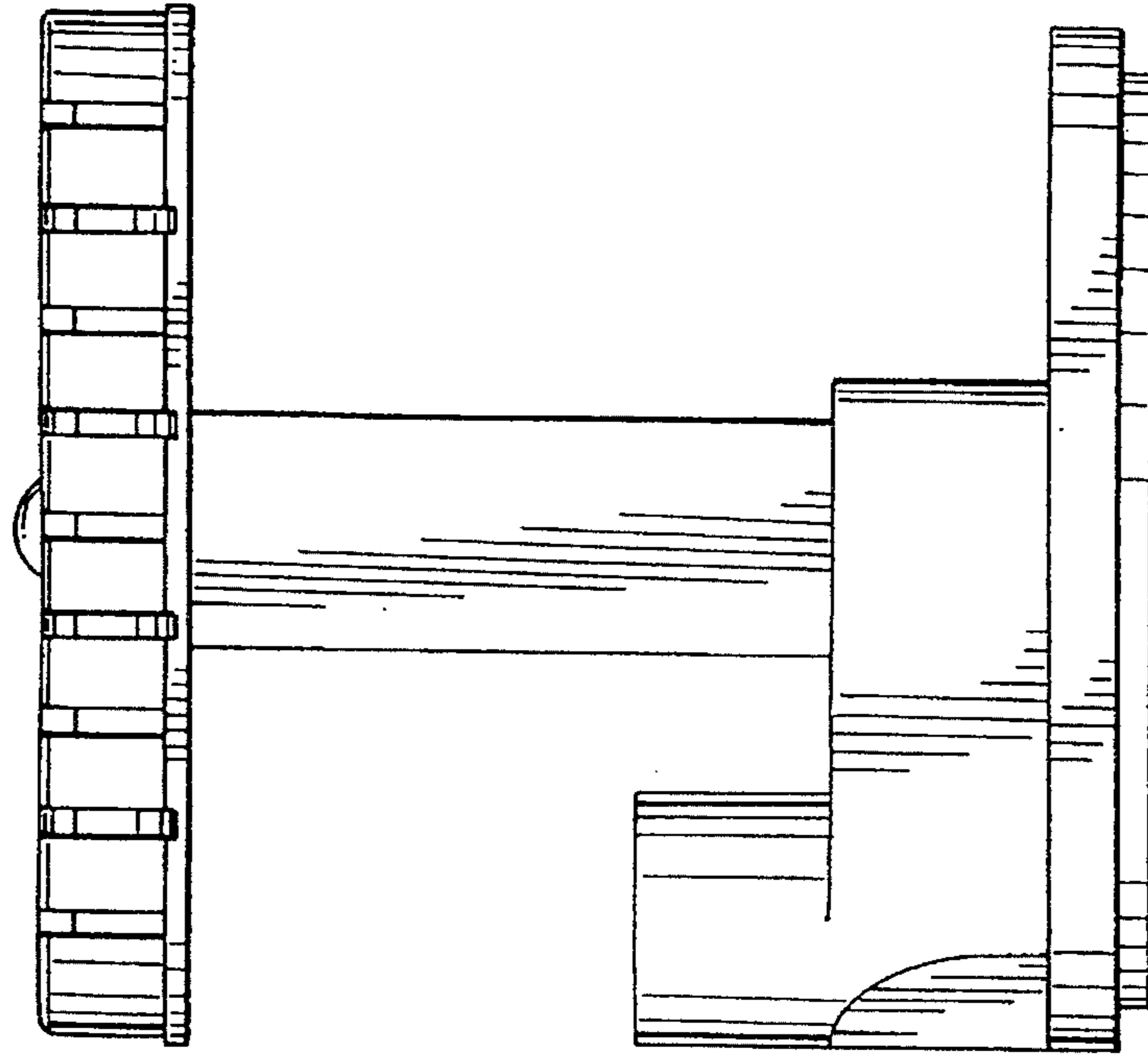


FIG. 5

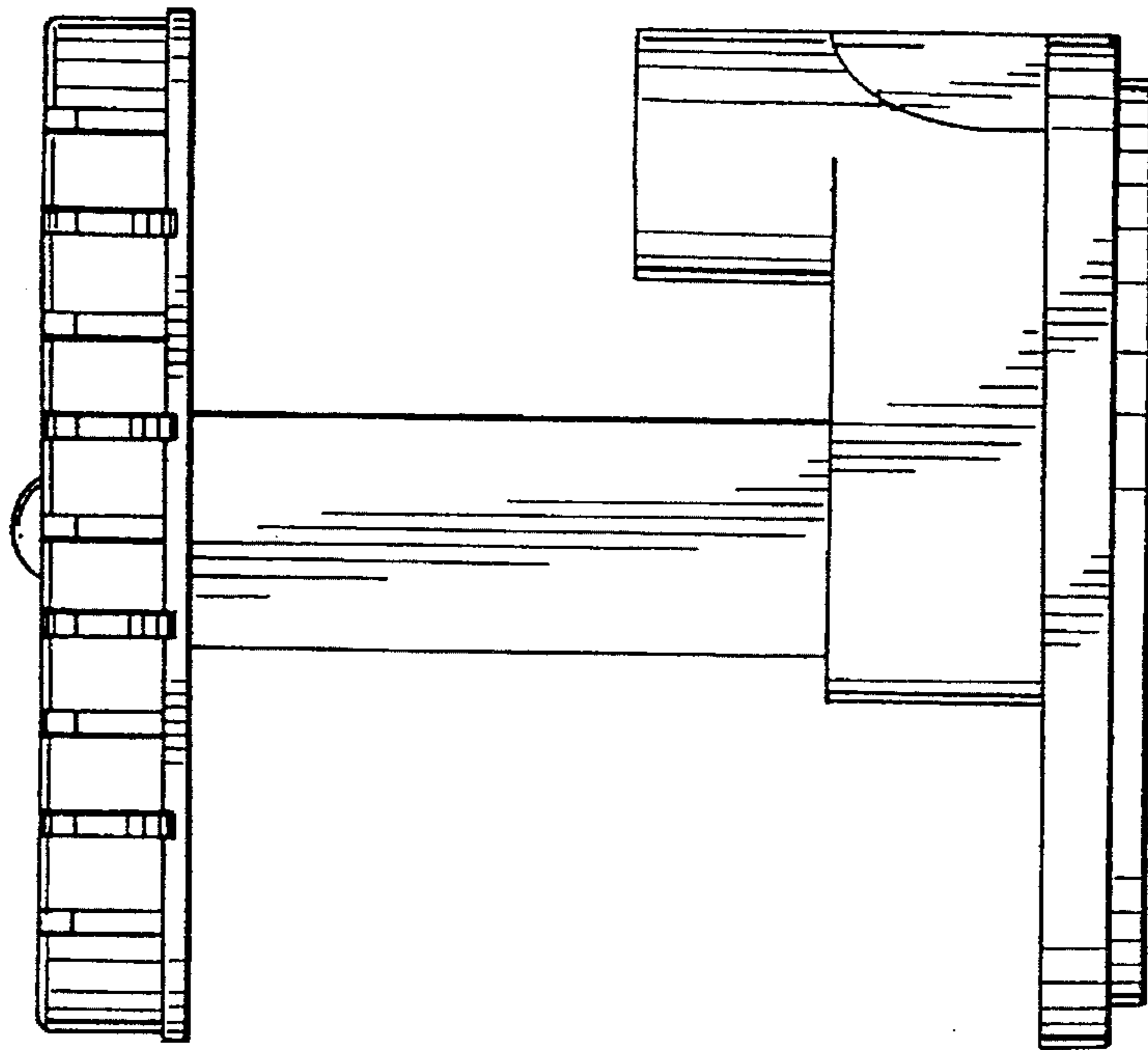


FIG. 4

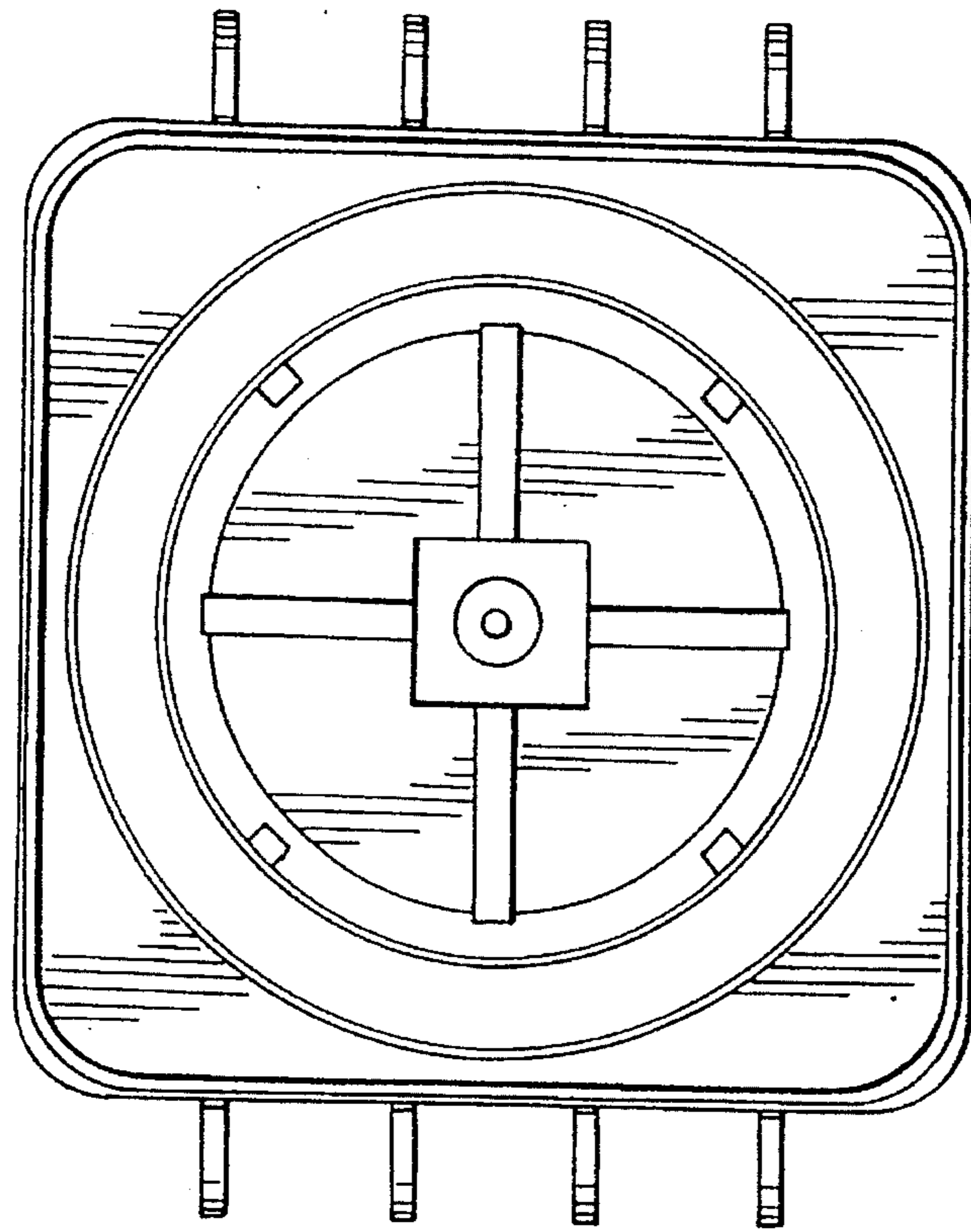


FIG.7

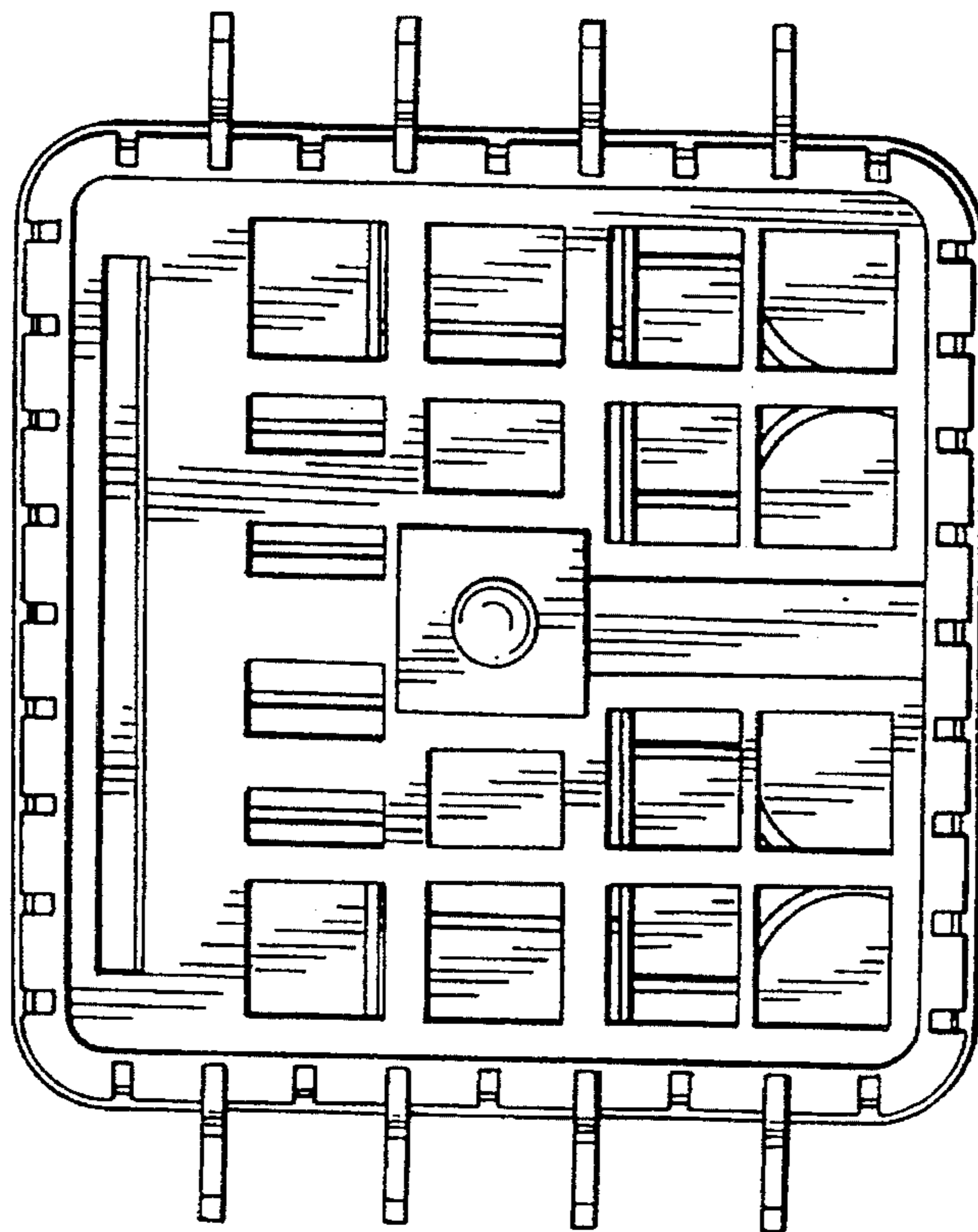


FIG.6