



US00D368411S

United States Patent [19]

Delaney

[11] Patent Number: **Des. 368,411**

[45] Date of Patent: ****Apr. 2, 1996**

[54] **RECREATIONAL BEVERAGE HOLDER**

[76] Inventor: **Joseph C. Delaney**, 76 Deerhurst Street, Stoney Creek, Ontario, Canada, L8E 2E6

[**] Term: **14 Years**

[21] Appl. No.: **34,131**

[22] Filed: **Jan. 27, 1995**

[52] U.S. Cl. **D7/620**

[58] Field of Search D7/619-625, 605-608; 211/71, 74, 75, 76; 215/395, 396; 220/737, 740-742; 248/225.31, 231.7, 310, 311.2, 313

[56] **References Cited**

U.S. PATENT DOCUMENTS

- D. 203,055 11/1965 Robinson D7/620
- D. 232,797 9/1974 Doolittle D7/624

- D. 266,834 11/1982 Sinkhorn et al. D7/620 X
- D. 340,388 10/1993 Sedivec D7/620
- 4,036,463 7/1977 Hopkins 248/311.2 X
- 4,494,672 1/1985 Pearson 220/740 X

Primary Examiner—Terry A. Wallace

[57] **CLAIM**

The ornamental design for a recreational beverage holder, as shown and described.

DESCRIPTION

FIG. 1 is a front elevational view of the recreational beverage holder showing my new design;
 FIG. 2 is a rear elevational view thereof;
 FIG. 3 is a left side elevational view thereof;
 FIG. 4 is a right side elevational view thereof;
 FIG. 5 is a top plan view thereof; and,
 FIG. 6 is a bottom plan view thereof.

1 Claim, 3 Drawing Sheets

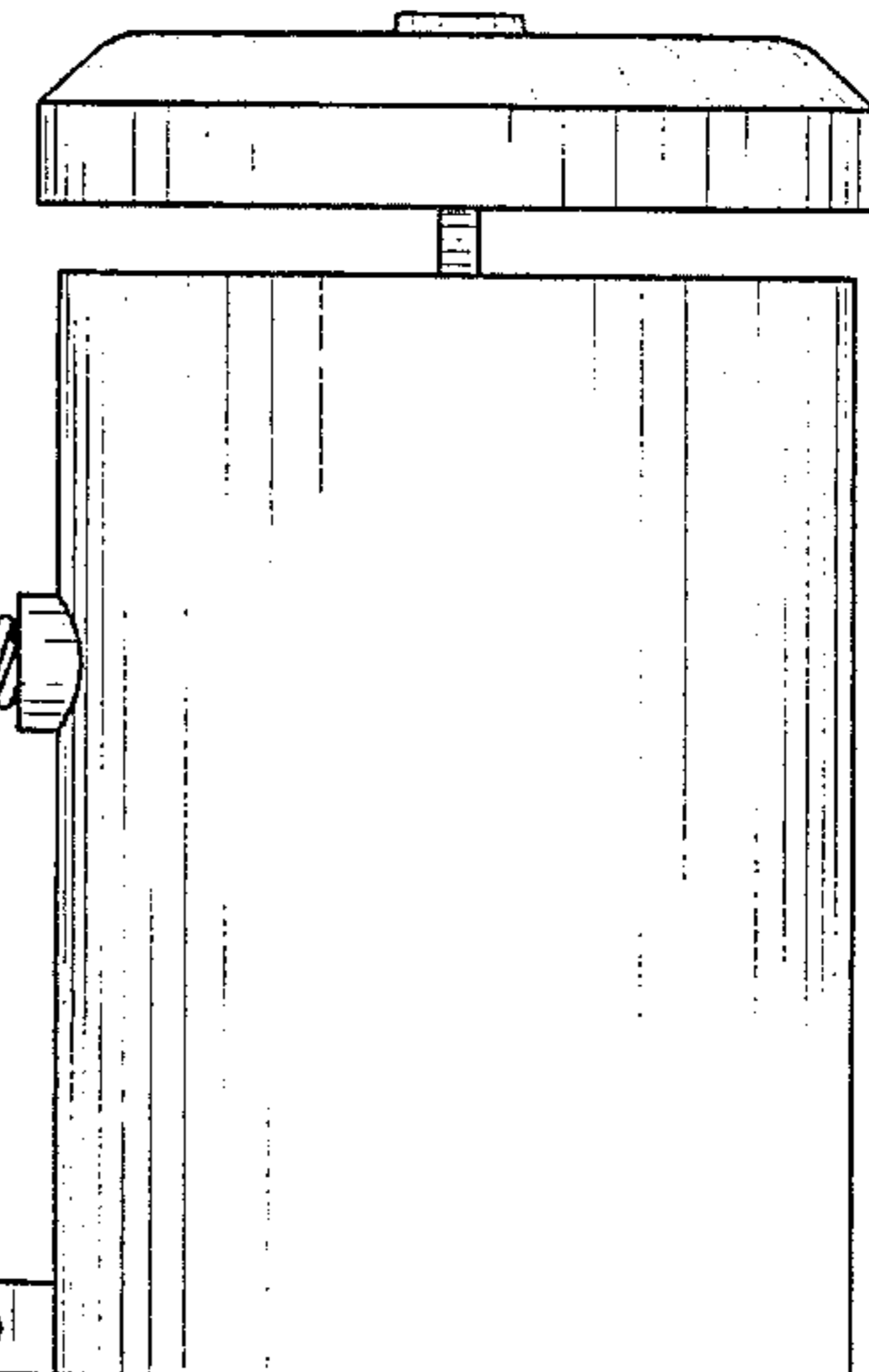
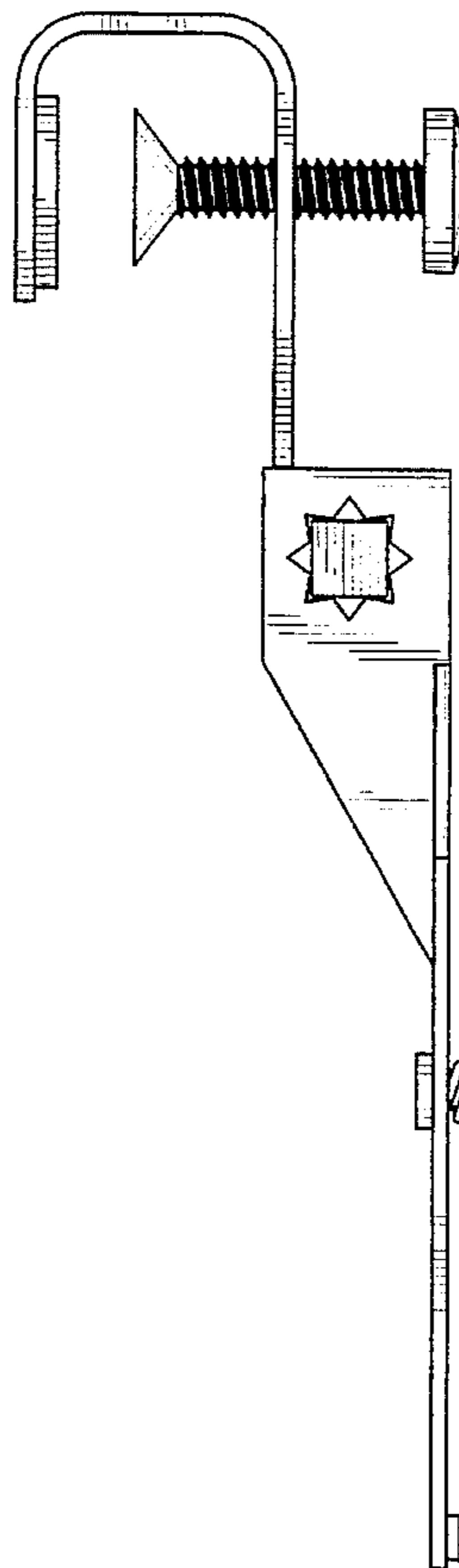
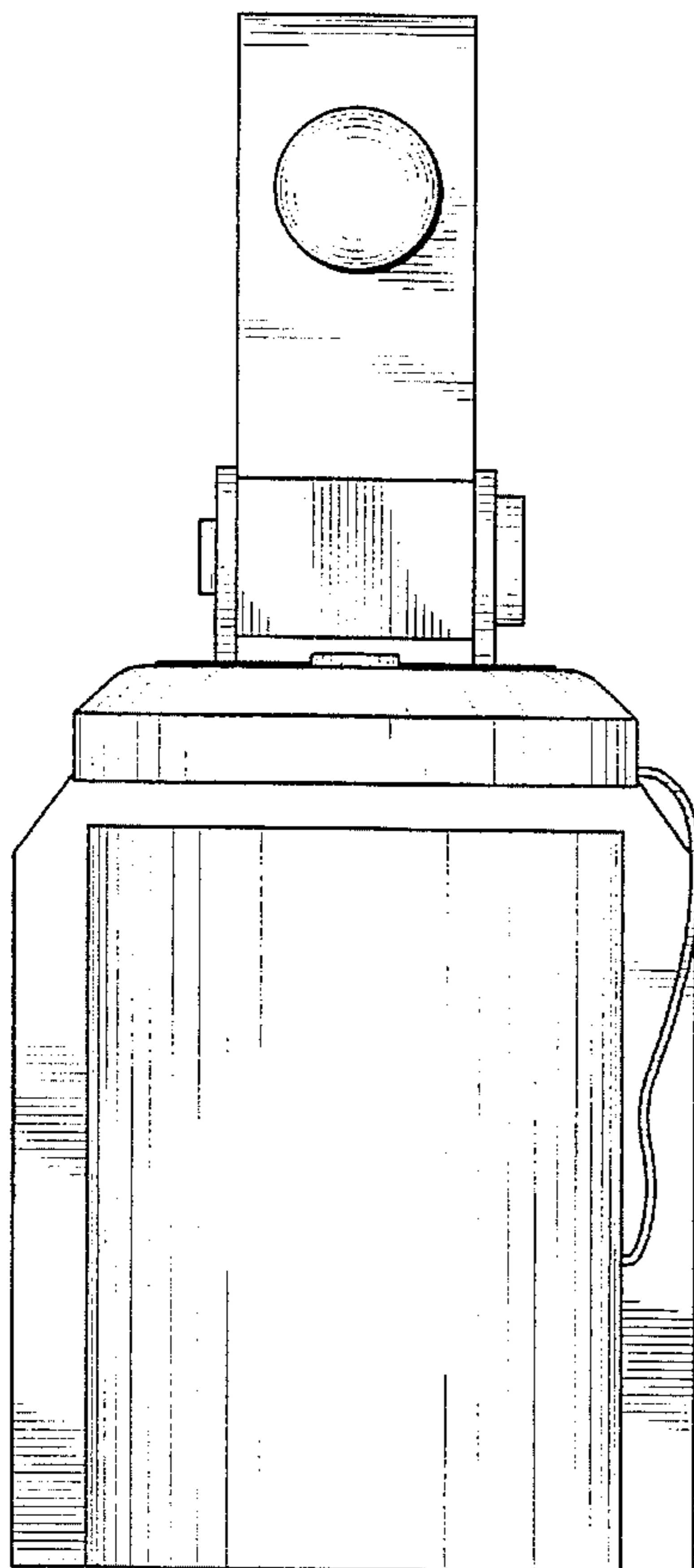


FIG. 1

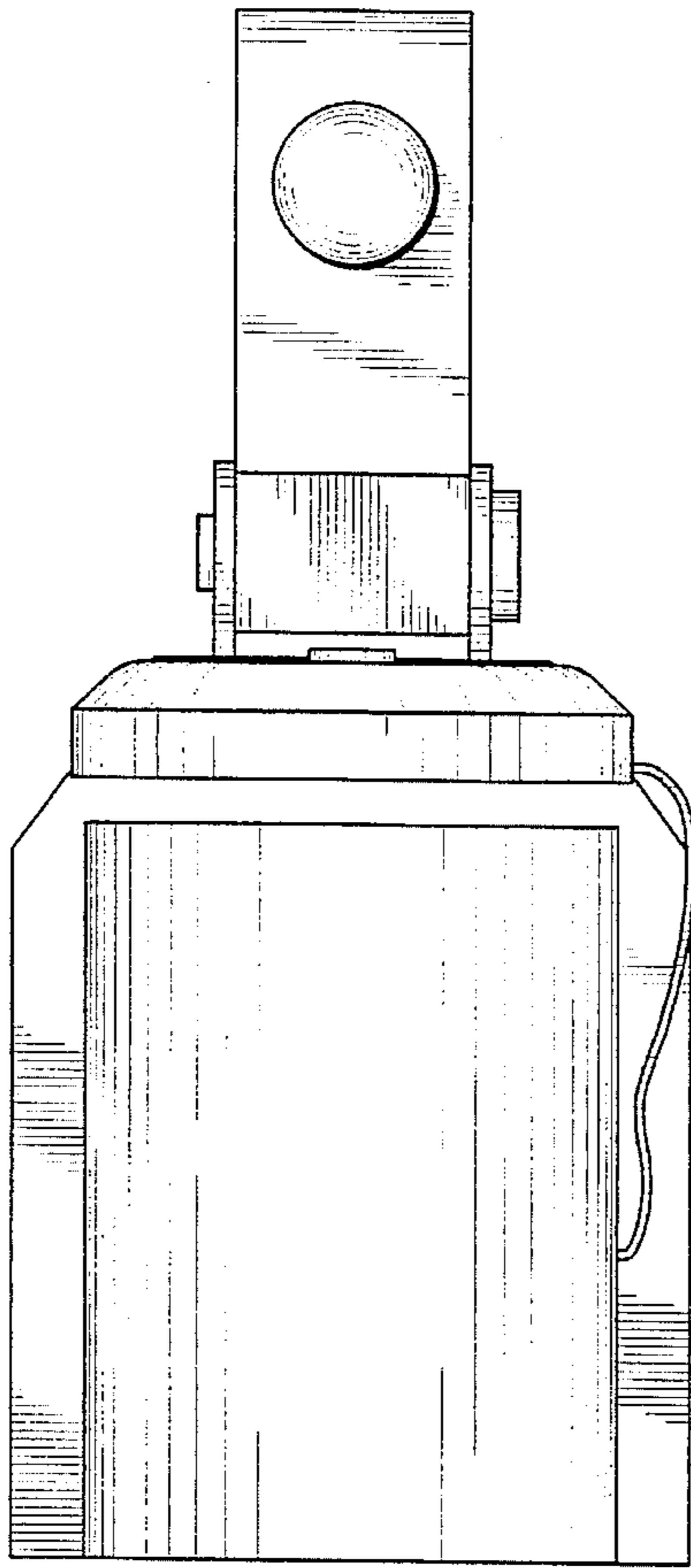


FIG. 2

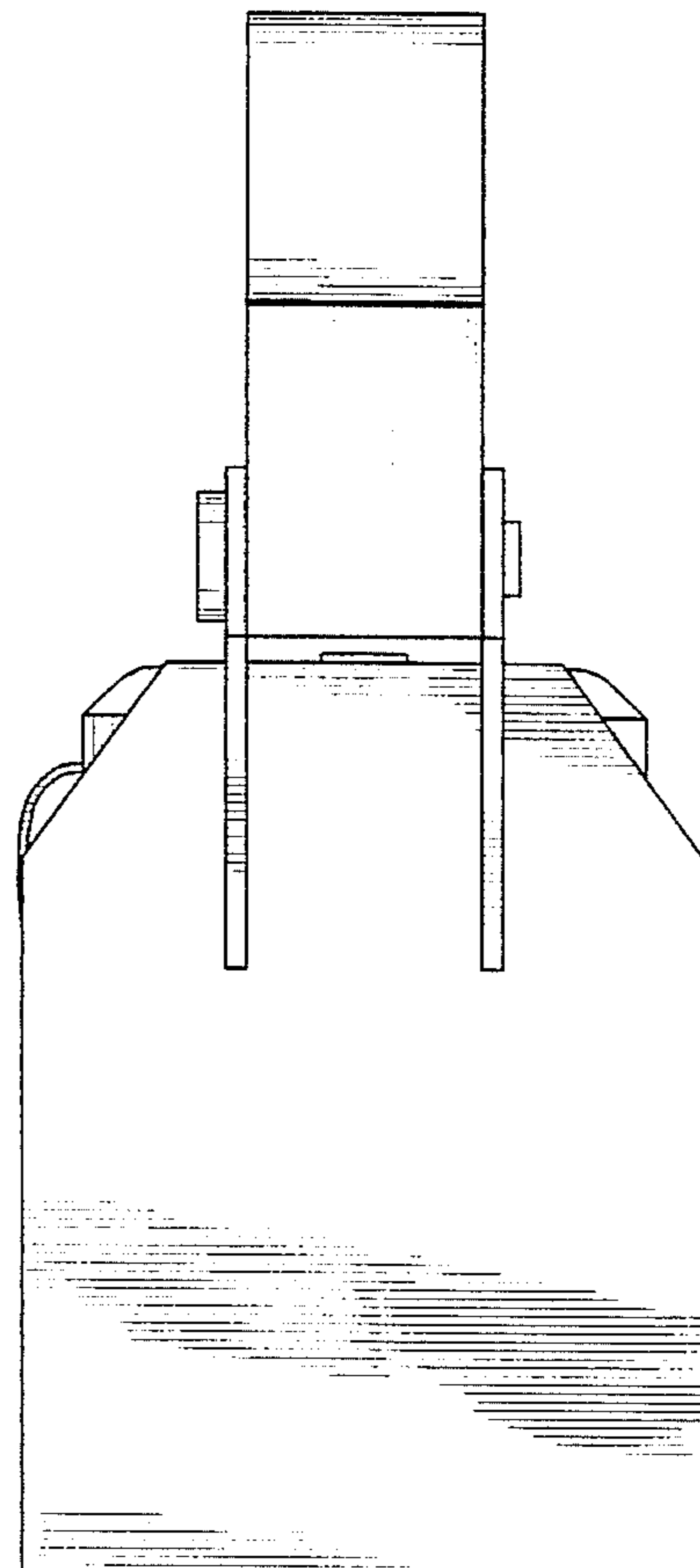


FIG. 3

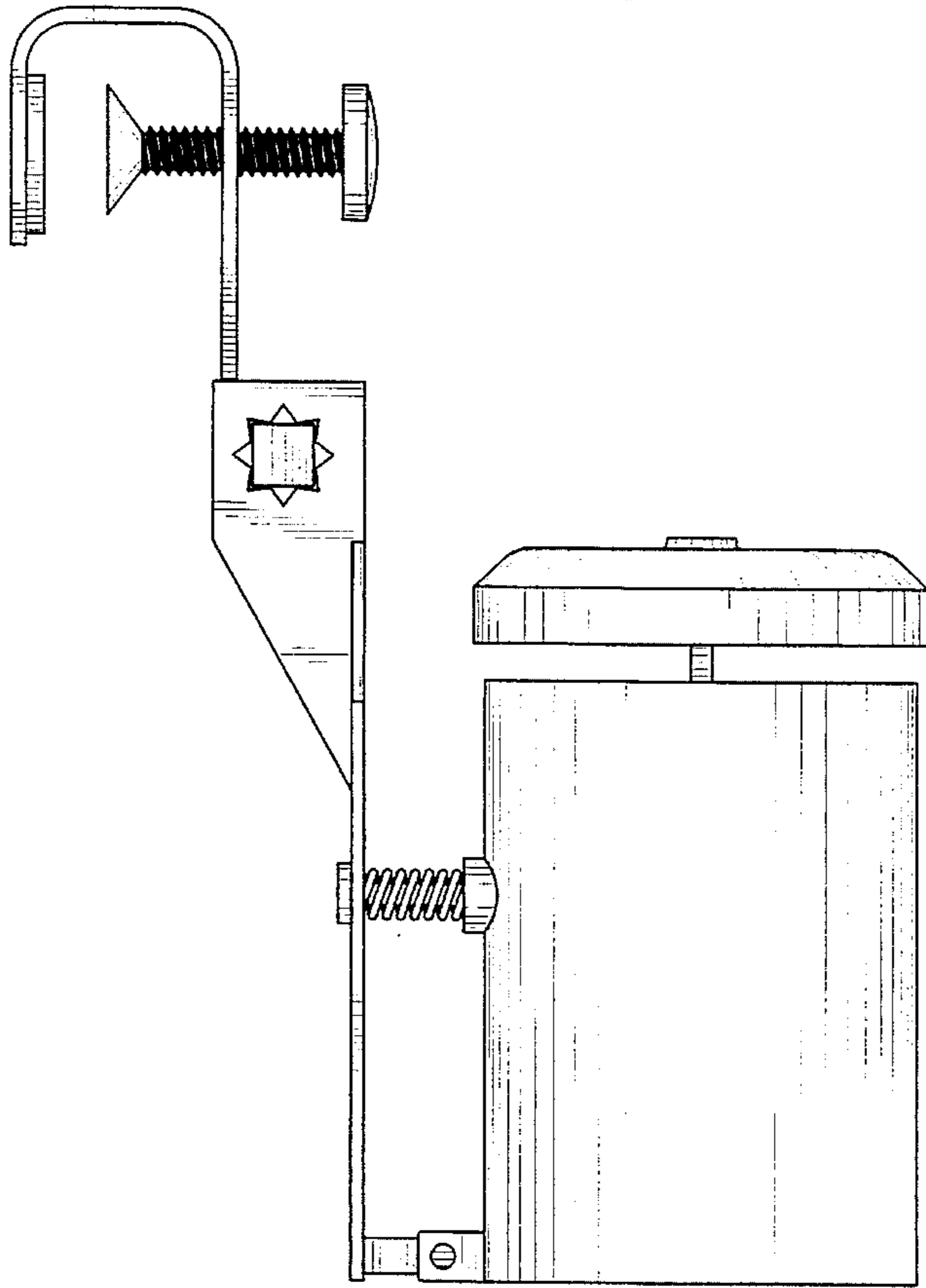


FIG. 4

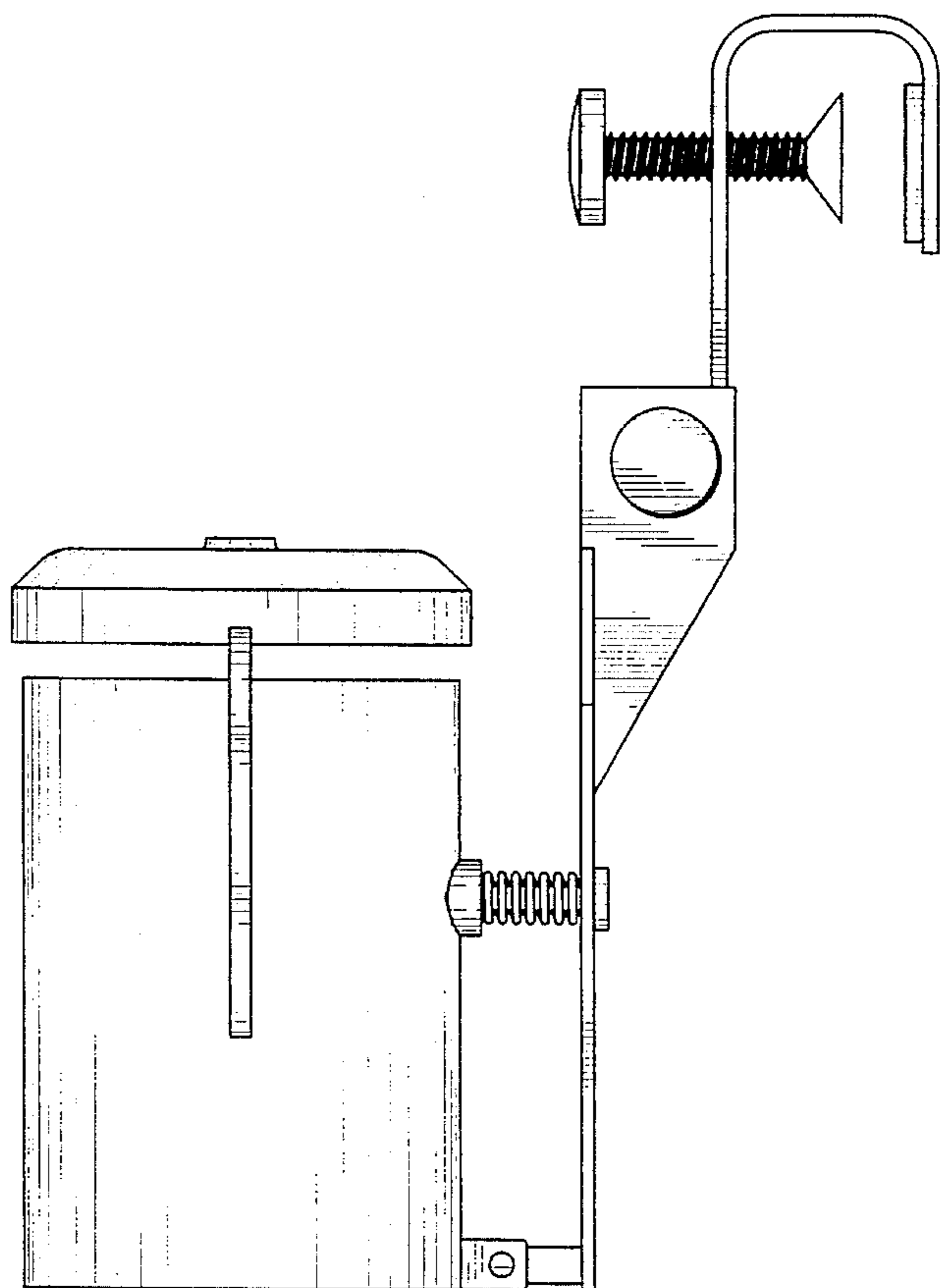


FIG. 5

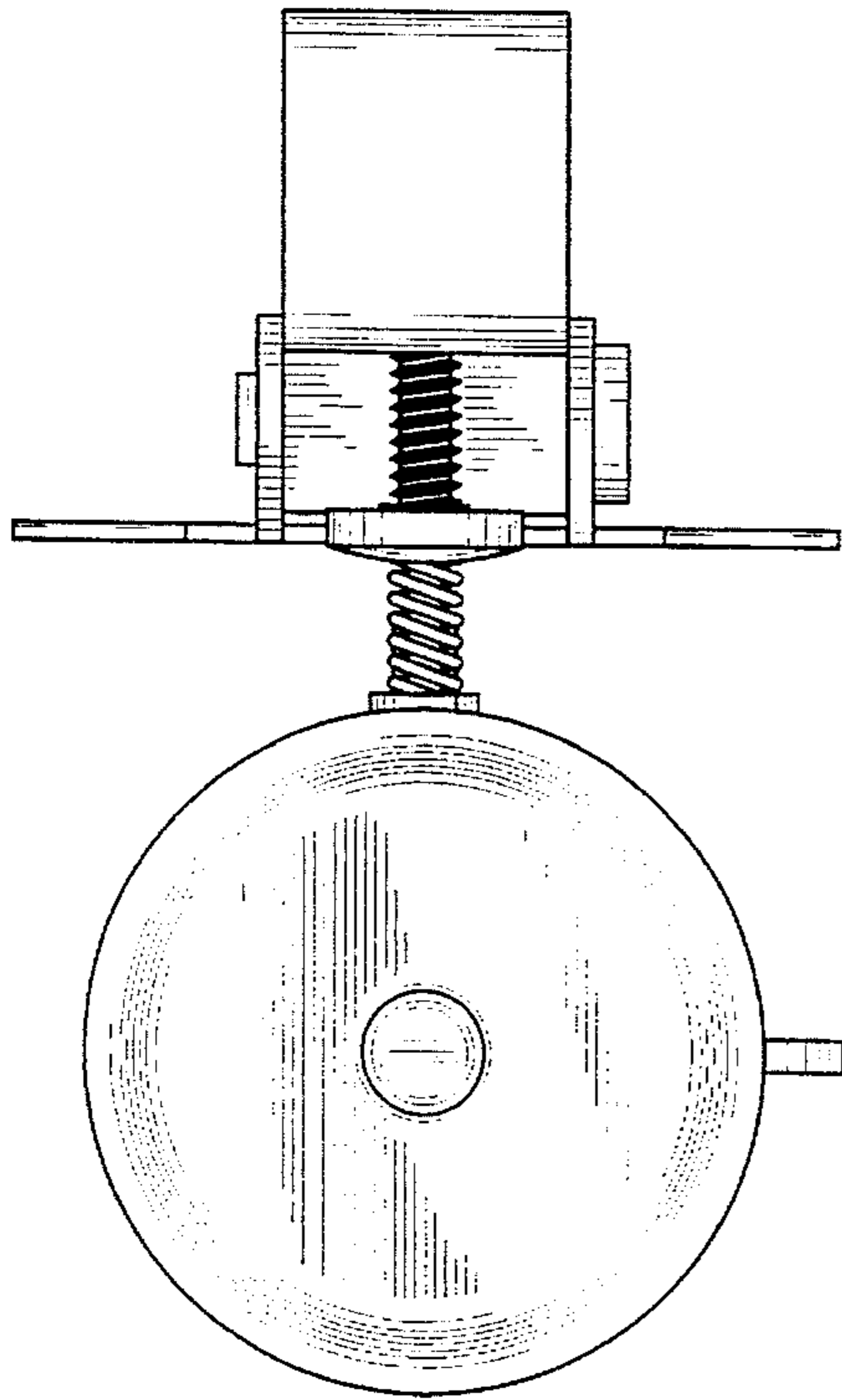


FIG. 6

