



US00D368410S

# United States Patent [19]

Shiner

[11] Patent Number: **Des. 368,410**

[45] Date of Patent: **\*\*Apr. 2, 1996**

[54] **BASE FOR AN INSULATED DRINKING CAN HOLDER**

3,306,566 2/1967 Paulson et al. .... D7/624 X  
5,088,673 2/1992 Chandler ..... D7/619 X

[76] Inventor: **Timothy A. Shiner**, 2008 Hunter Place Ct., Arlington, Tex. 76006

*Primary Examiner*—Terry A. Wallace  
*Attorney, Agent, or Firm*—Melvin A. Hunn; Max Ciccarelli

[\*\*] Term: **14 Years**

[57] **CLAIM**

[21] Appl. No.: **21,824**

The ornamental design for a base for an insulated drinking can holder, as shown and described.

[22] Filed: **Apr. 26, 1994**

**DESCRIPTION**

[52] U.S. Cl. .... **D7/608**

[58] Field of Search ..... D7/608, 619, 624; D9/455; 215/100.5; 220/737, 739; 248/346.1

FIG. 1 is a perspective view of a base for an insulated drinking can holder showing my new design; FIG. 2 is a top plan view thereof; FIG. 3 is a bottom plan view thereof; and, FIG. 4 is a side elevation view thereof, all side views being identical.

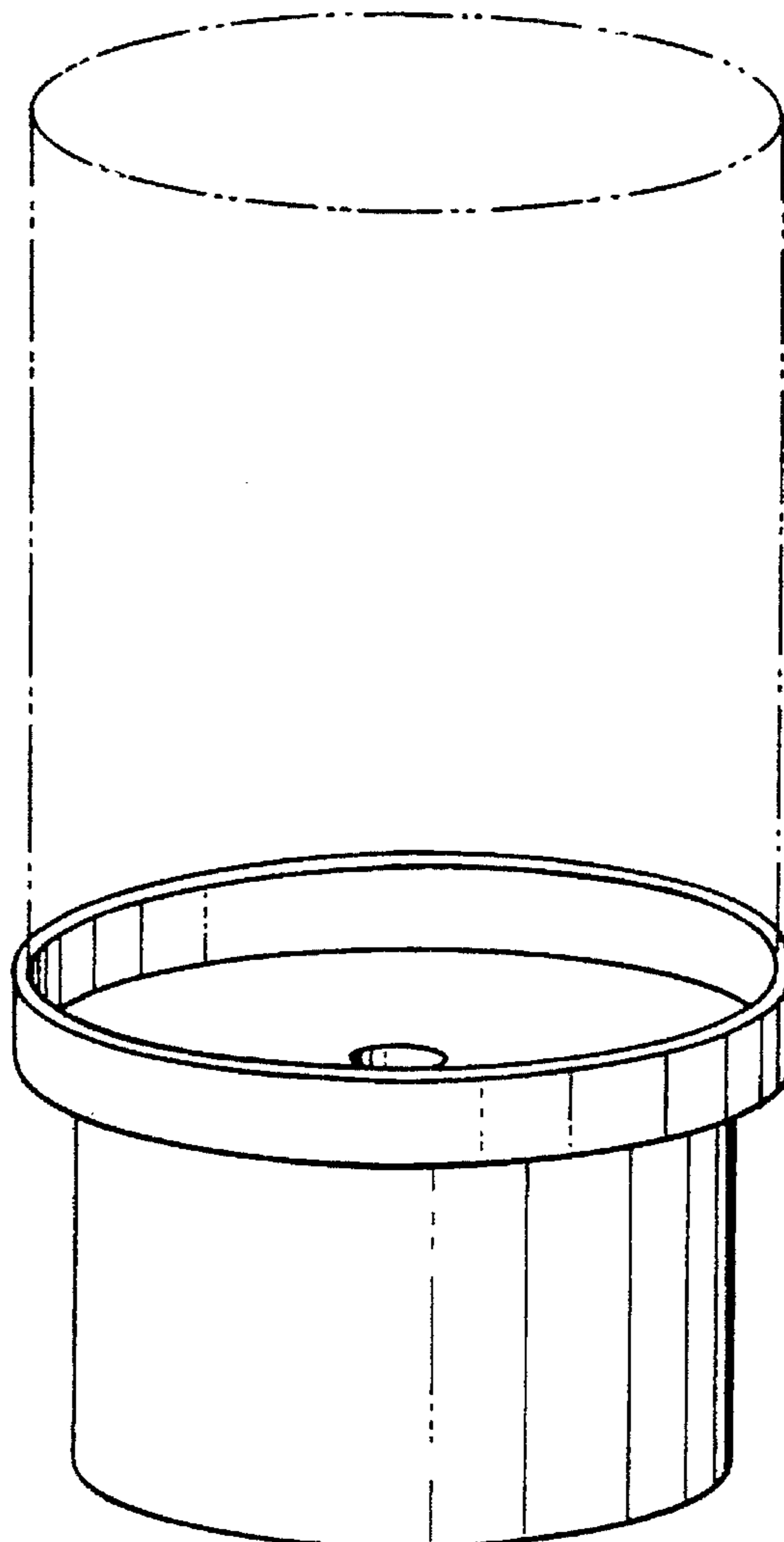
[56] **References Cited**

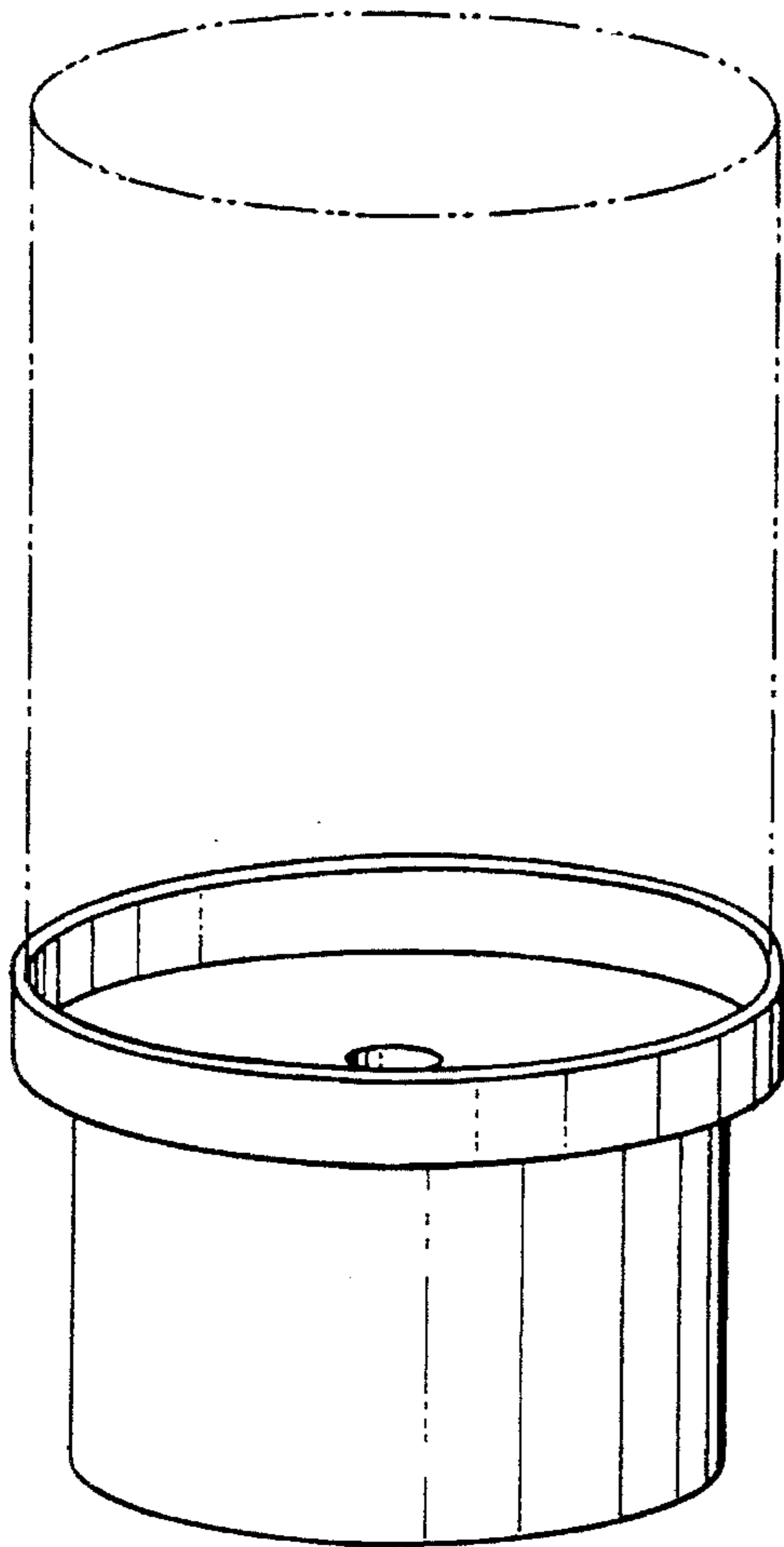
**U.S. PATENT DOCUMENTS**

- D. 229,655 12/1973 Cyren ..... D7/624
- D. 266,391 10/1982 Jordon .
- D. 303,199 9/1989 Parsons .
- D. 309,073 7/1990 Robinson .
- 3,302,427 2/1967 Stoner et al. .

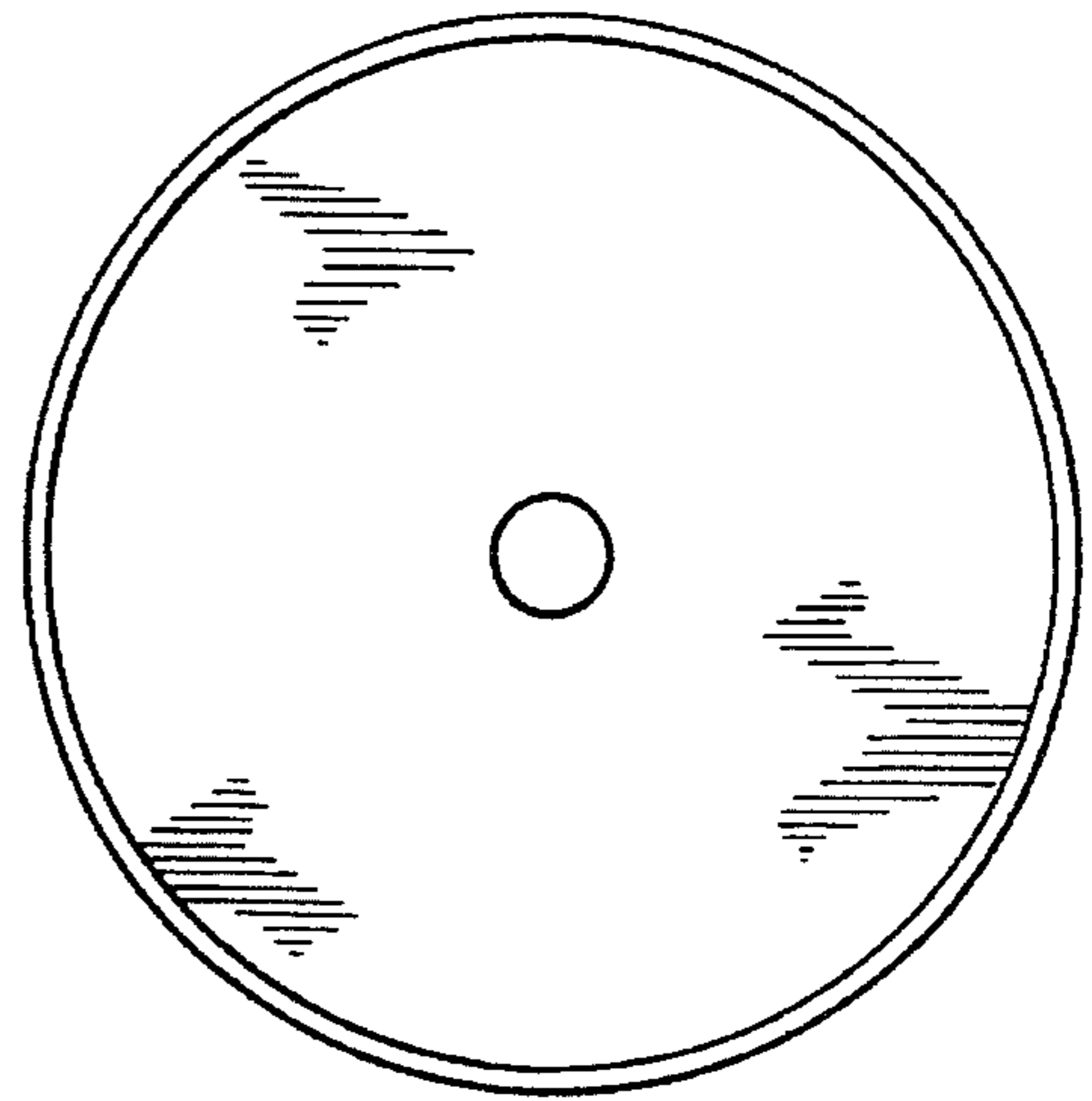
The broken lines showing of the upper portion of the can holder is for illustrative purposes only and forms no part of the claimed design.

**1 Claim, 1 Drawing Sheet**

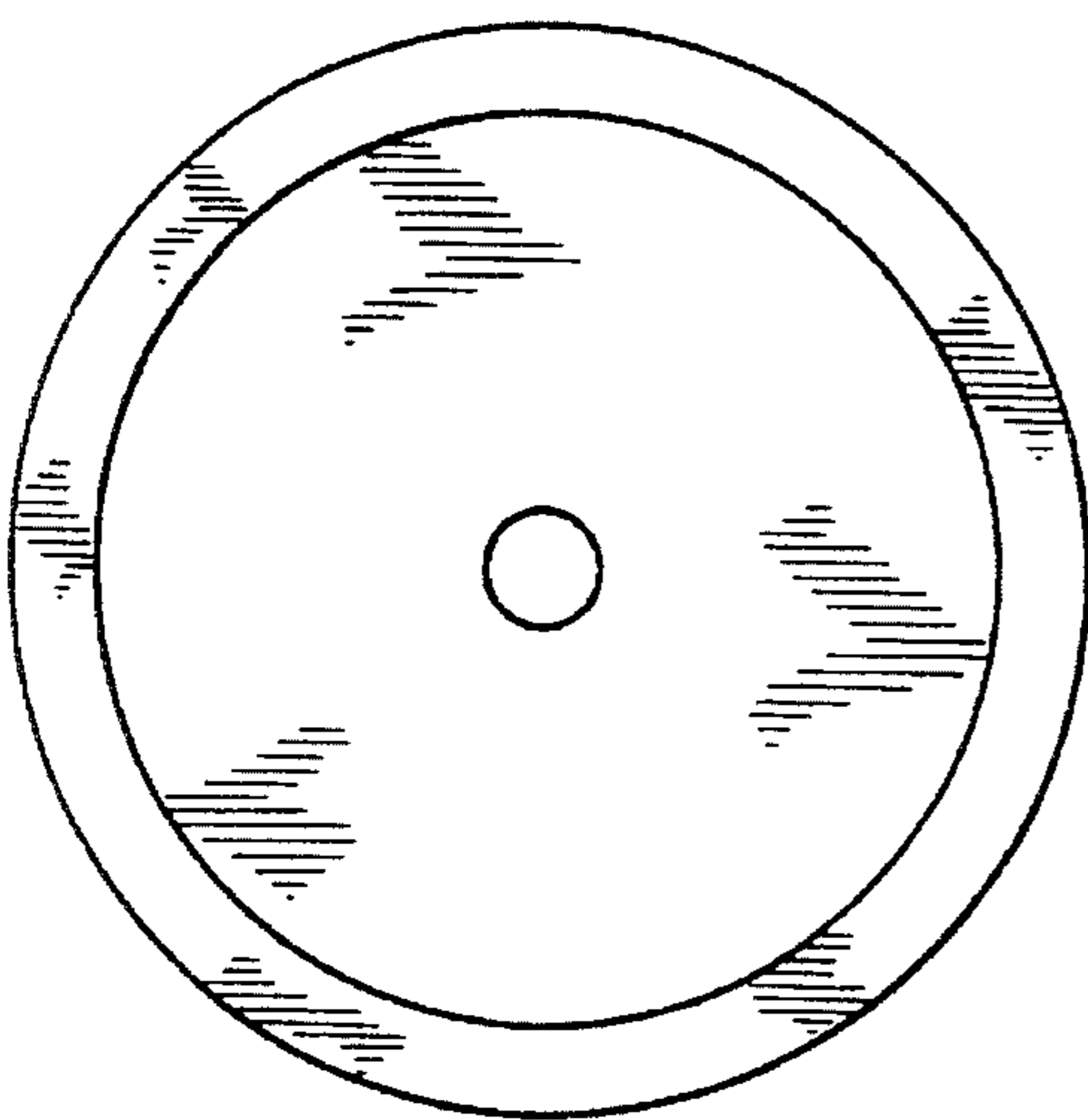




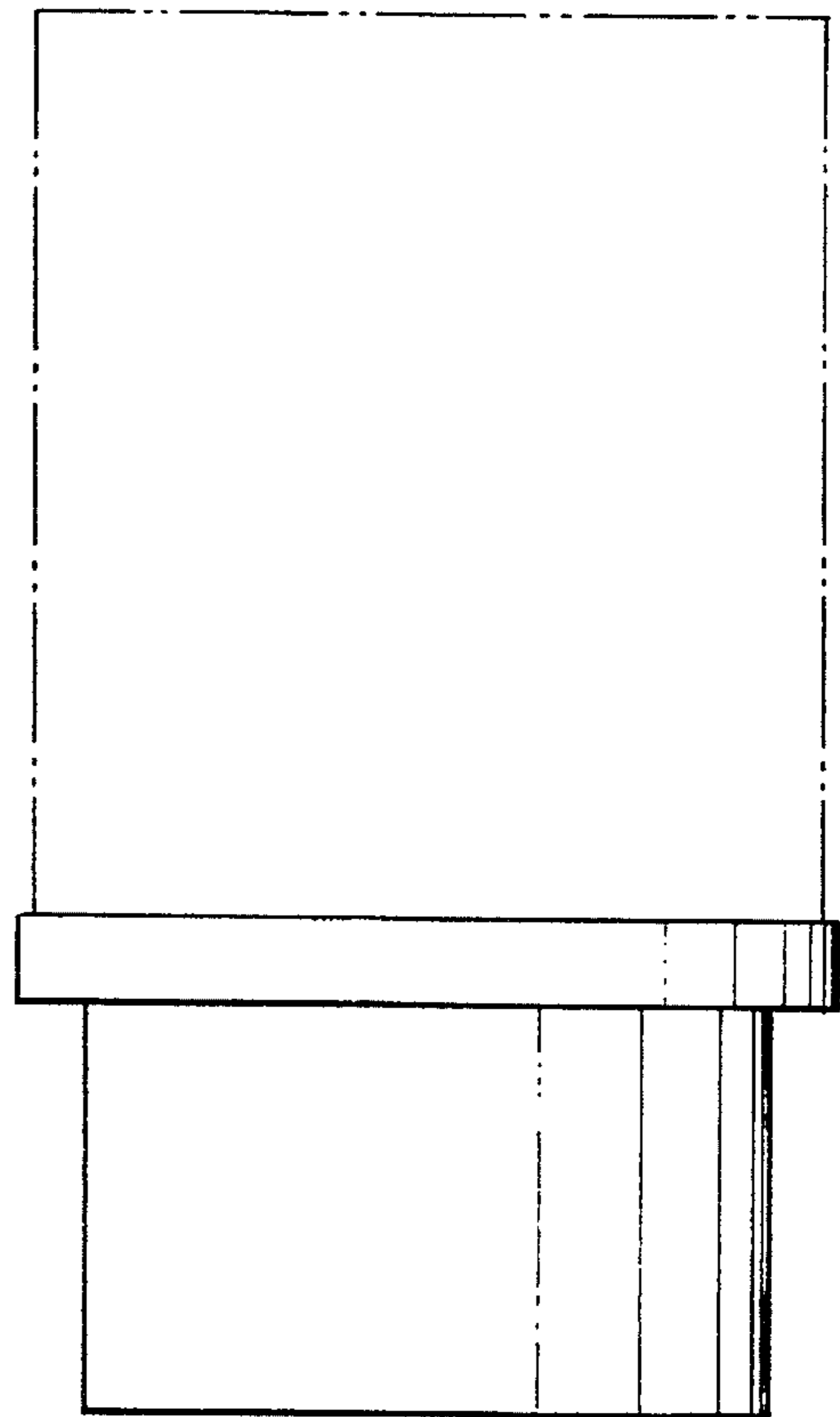
*Fig. 1*



*Fig. 2*



*Fig. 3*



*Fig. 4*