



US00D368409S

United States Patent [19] Schwartz

[11] **Patent Number:** **Des. 368,409**
[45] **Date of Patent:** ****Apr. 2, 1996**

[54] **SERVING TRAY**
[75] Inventor: **Milton Schwartz**, Syosset, N.Y.
[73] Assignee: **Kinplex Corporation**, Edgewood, N.Y.
[**] Term: **14 Years**

2,352,684 7/1944 Braddock D7/557 X
2,700,284 1/1955 Lyon, Jr. 220/23.8

FOREIGN PATENT DOCUMENTS

2078493 1/1982 United Kingdom D7/555

OTHER PUBLICATIONS

Lazy Susan (top right), The Gift and Art Buyer Oct. 1952 p. 57.

Primary Examiner—Alan P. Douglas
Assistant Examiner—M. N. Pandozzi
Attorney, Agent, or Firm—Gottlieb, Rackman & Reisman

[21] Appl. No.: **31,532**
[22] Filed: **Nov. 30, 1994**
[52] **U.S. Cl.** **D7/553; D7/555; D7/549**
[58] **Field of Search** D7/538, 542, 543, D7/544, 545, 546, 548, 549, 550, 551, 552, 553, 554, 555, 556, 557, 701, 501; 220/571, 375, 23.8, 914; 206/561, 564, 557; 229/170.38

[57] CLAIM

The ornamental design for a serving tray, as shown and described.

[56] References Cited

U.S. PATENT DOCUMENTS

D. 67,011	4/1925	Clarke	D7/557
D. 72,702	5/1927	Farber	D7/546
D. 221,883	9/1971	Cash	220/23.8 X
D. 225,364	12/1972	Antoni	D7/552
D. 278,117	3/1985	Harper	D7/555
D. 352,204	11/1994	Hayes et al.	D7/557 X
1,595,356	8/1926	Moseman	220/23.8

DESCRIPTION

FIG. 1 is a perspective view thereof;
FIG. 2 is a front elevational view thereof;
FIG. 3 is a side perspective view thereof;
FIG. 4 is a bottom plan view thereof; and,
FIG. 5 is a cross-sectional view thereof taken along line 5—5 of FIG. 4.

1 Claim, 2 Drawing Sheets

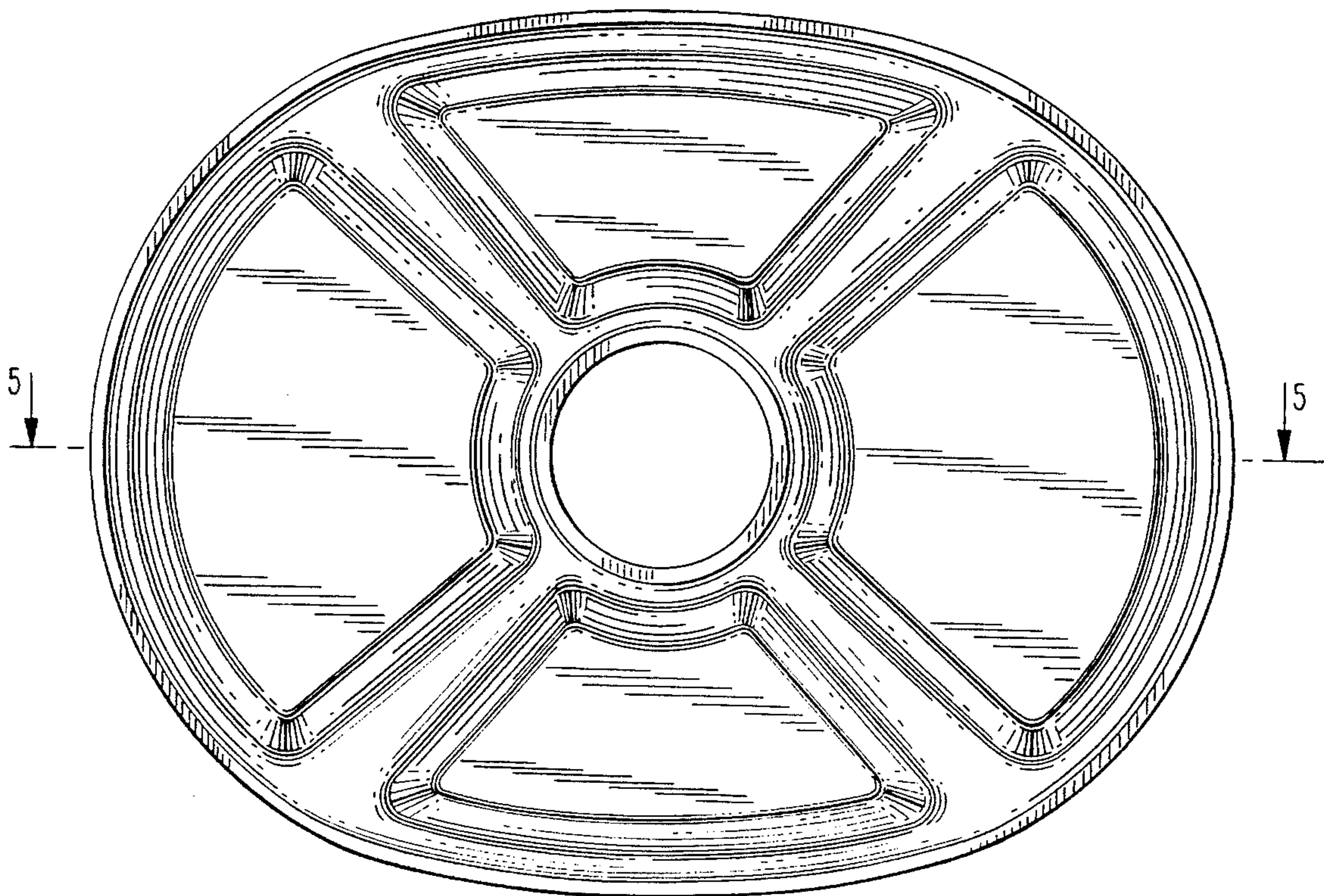


FIG. 1

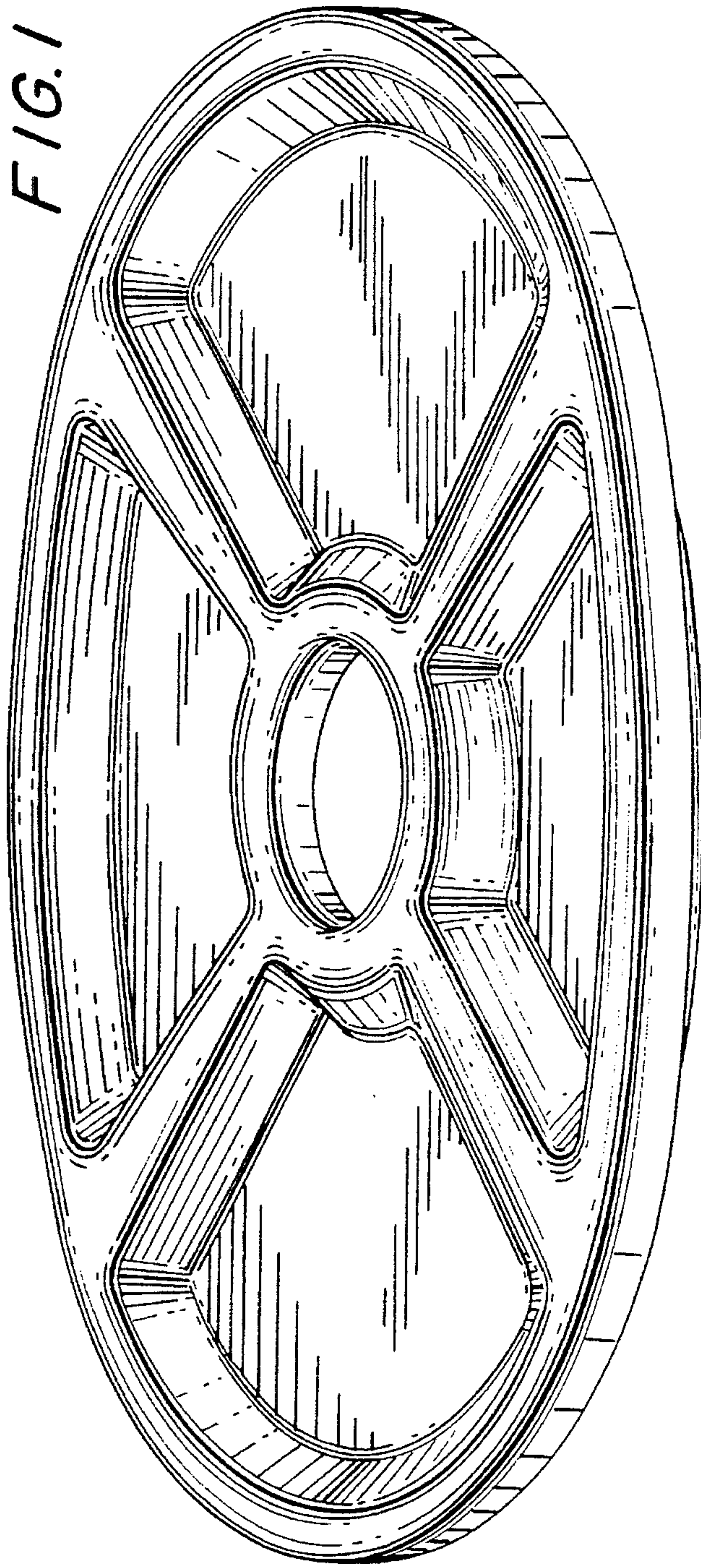


FIG. 2



FIG. 3

