



US00D368398S

United States Patent [19]
Nahar

[11] **Patent Number:** **Des. 368,398**
[45] **Date of Patent:** ****Apr. 2, 1996**

[54] **GAP FILLER BETWEEN CHECKOUT
COUNTER AND BAR CODE SCANNER**

FOREIGN PATENT DOCUMENTS

476200 8/1929 Germany 248/441.1

[75] Inventor: **Rathindra Nahar**, Duluth, Ga.

Primary Examiner—Janice E. Seeger
Attorney, Agent, or Firm—Paul W. Martin

[73] Assignee: **AT&T Global Information Solutions
Company**, Dayton, Ohio

[57] **CLAIM**

[**] Term: **14 Years**

The ornamental design for a gap filler between checkout counter and bar code scanner, as shown and described.

[21] Appl. No.: **26,041**

DESCRIPTION

[22] Filed: **Jul. 15, 1994**

[52] **U.S. Cl.** **D6/491; D6/509**

FIG. 1 is a front view of the gap filler between checkout counter and bar code scanner showing my new design;

[58] **Field of Search** D6/491, 481, 509,
D6/511, 402; 312/140, 140.4; D25/164;
186/59

FIG. 2 is a back view;

FIG. 3 is a right side view;

FIG. 4 is a left side view;

FIG. 5 is a top view;

FIG. 6 is a bottom view; and,

FIG. 7 is a perspective view.

[56] **References Cited**

U.S. PATENT DOCUMENTS

D. 269,187 5/1983 Petersen D19/32
D. 357,607 4/1995 Nilsson D6/495
4,938,317 7/1990 Kohno et al. 186/59

1 Claim, 4 Drawing Sheets

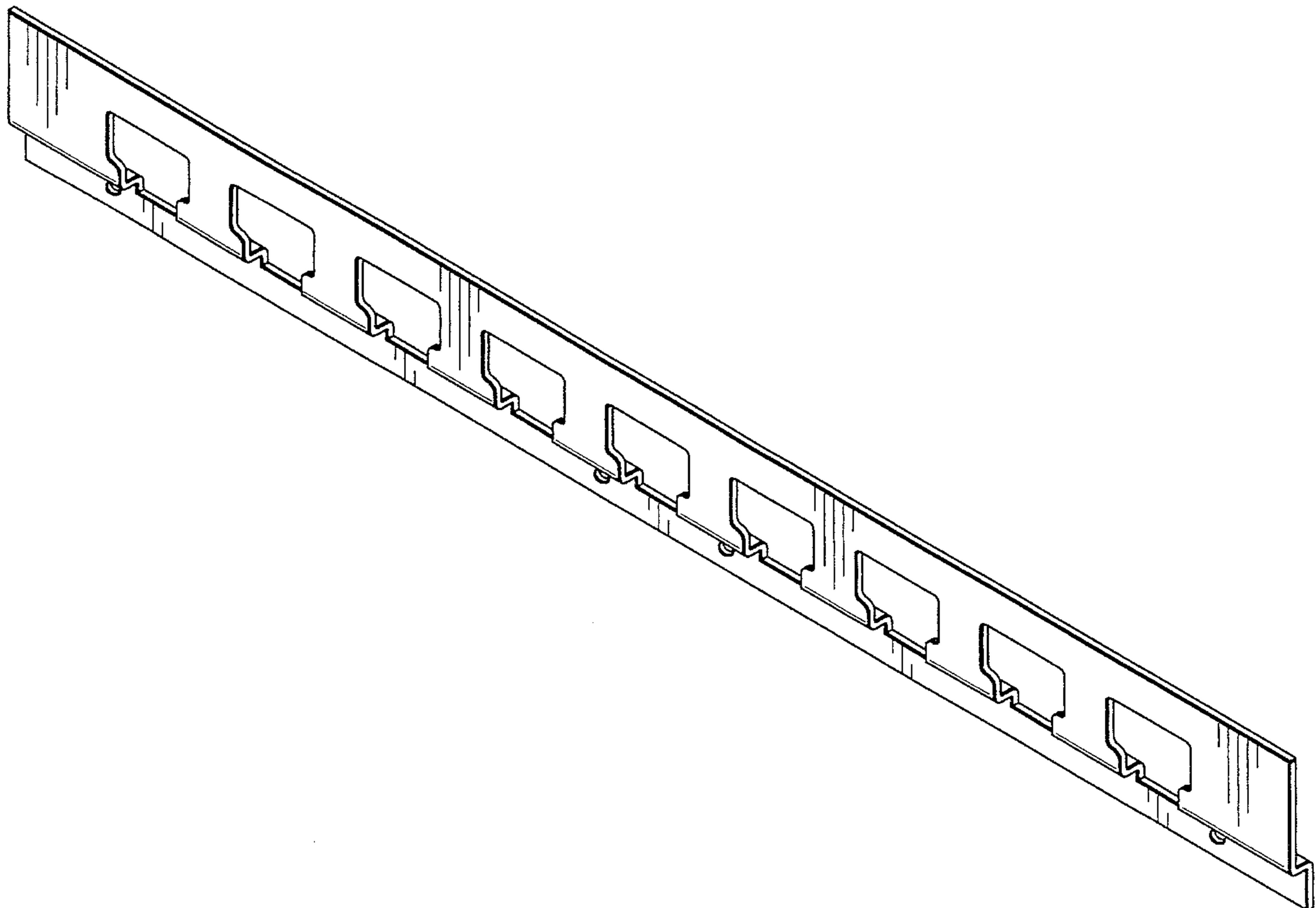


FIG. 1

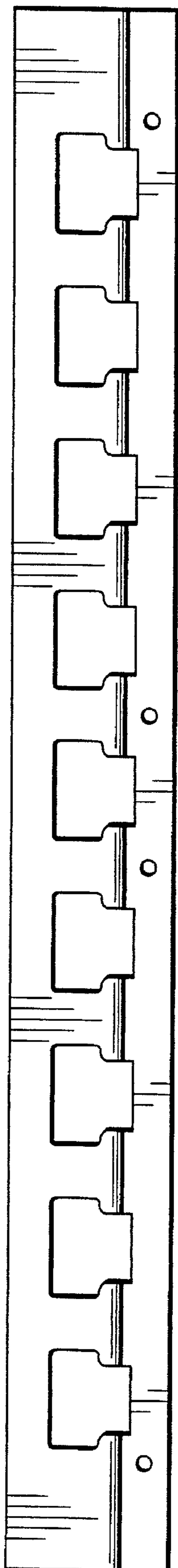


FIG. 2

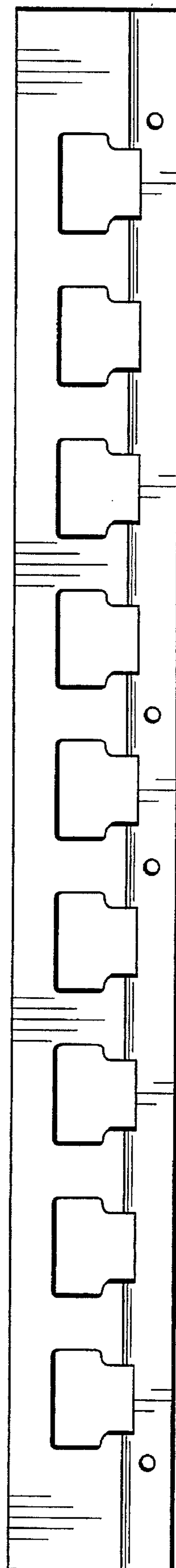


FIG. 3

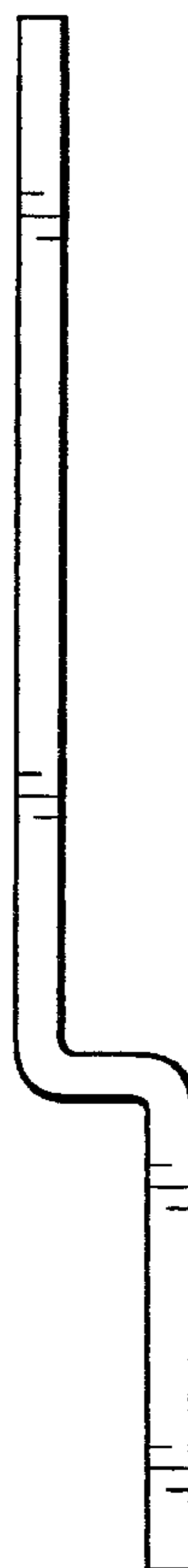


FIG. 4



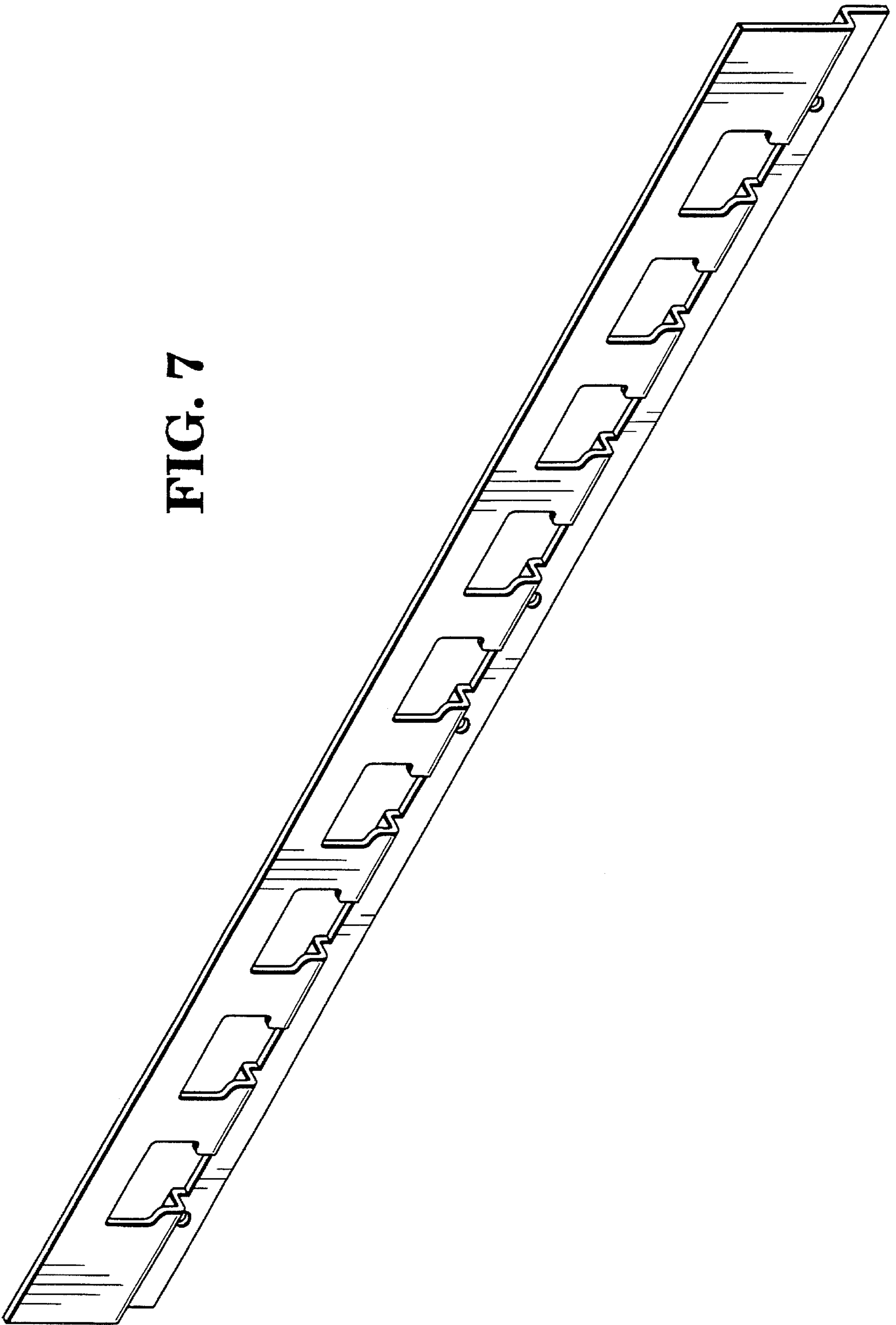
FIG. 5



FIG. 6



FIG. 7



UNITED STATES PATENT AND TRADEMARK OFFICE
CERTIFICATE OF CORRECTION

PATENT NO. : Des. 368,398
DATED : April 2, 1996
INVENTOR(S) : Rathindra Nahar

It is certified that error appears in the above-identified patent and that said Letters Patent is hereby corrected as shown below:

Abstract:

Title Page, at "[57] CLAIM", after "between"
insert --a--.

Title Page, at "[57] CLAIM", after "and" insert
--a--.

Signed and Sealed this

Thirteenth Day of January, 1998



Attest:

BRUCE LEHMAN

Attesting Officer

Commissioner of Patents and Trademarks