



US00D368389S

# United States Patent [19]

Longaberger et al.

[11] Patent Number: **Des. 368,389**

[45] Date of Patent: **\*\*Apr. 2, 1996**

[54] **DESK**

D. 306,105 2/1990 Newhouse ..... D6/428

[75] Inventors: **David W. Longaberger**, Newark; **Gary C. Longaberger**, Dresden; **Trevor R. King**, Warsaw, all of Ohio

### OTHER PUBLICATIONS

Color copies (1 sheet) of photographs of desk with open-work metal base.

Color copies (1 sheet) of photographs of desk with substantially planar metal base.

[73] Assignee: **The Longaberger Company**, Dresden, Ohio

*Primary Examiner*—Carmen H. Vales-Lado

[\*\*] Term: **14 Years**

*Attorney, Agent, or Firm*—Porter, Wright, Morris & Arthur

[21] Appl. No.: **31,050**

### [57] CLAIM

[22] Filed: **Nov. 16, 1994**

The ornamental design for a desk, as shown and described.

[52] U.S. Cl. .... **D6/428**

### DESCRIPTION

[58] Field of Search ..... D6/422-428, 338, D6/342, 492; 312/194-196; D15/66, 67, 71, 74; 108/50

FIG. 1 is a perspective view of the desk showing our new design;

FIG. 2 is a right side view thereof;

FIG. 3 is a left side view thereof;

FIG. 4 is a front view thereof;

FIG. 5 is a top view thereof;

FIG. 6 is a rear view thereof;

FIG. 7 is a bottom view thereof; and,

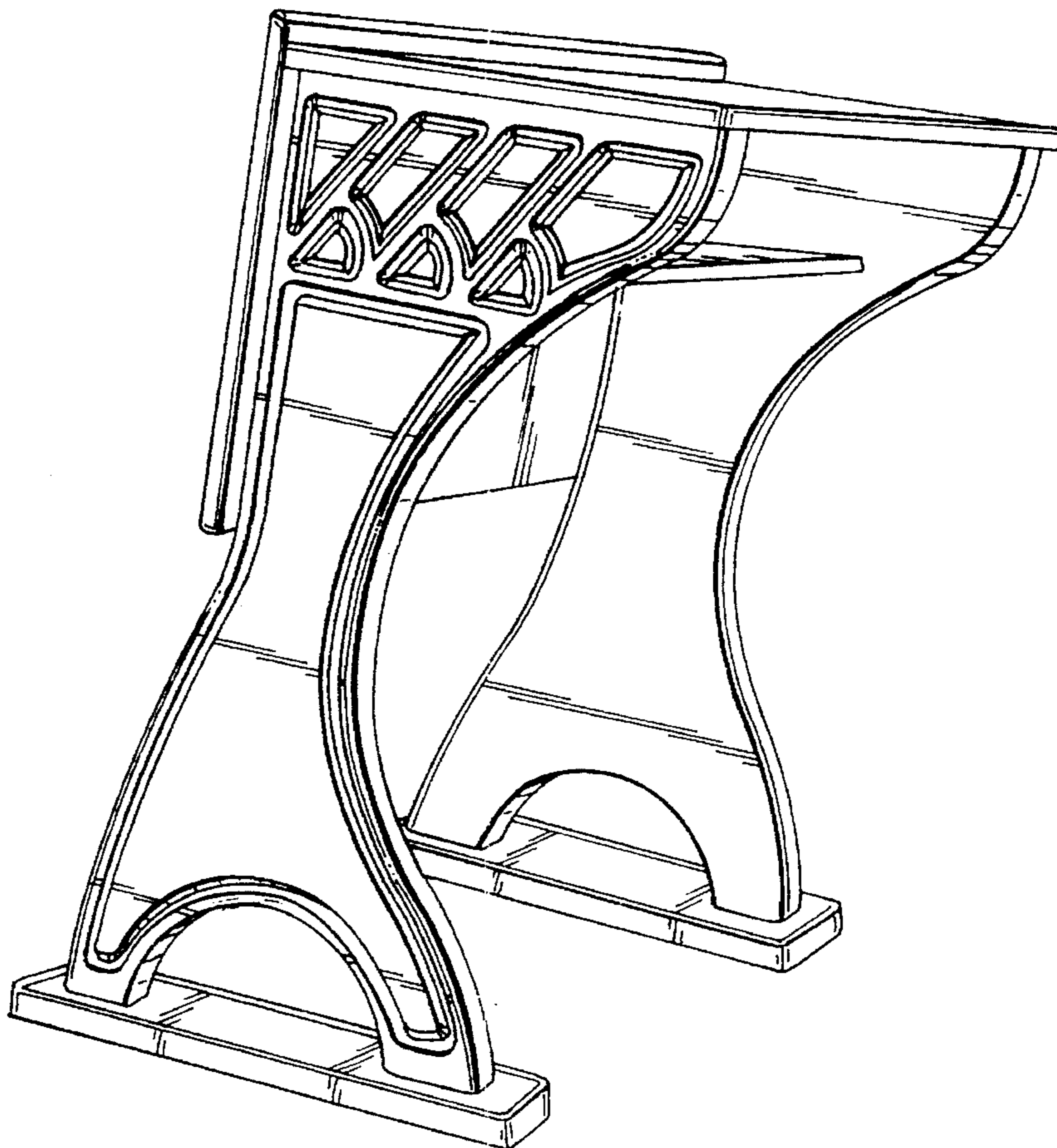
FIG. 8 is a right side view of a modified form of the desk shown in FIG. 1, the left side being a mirror image thereof; the front, top and rear of the desk being the same as that shown in FIGS. 4-6 without the foot rest.

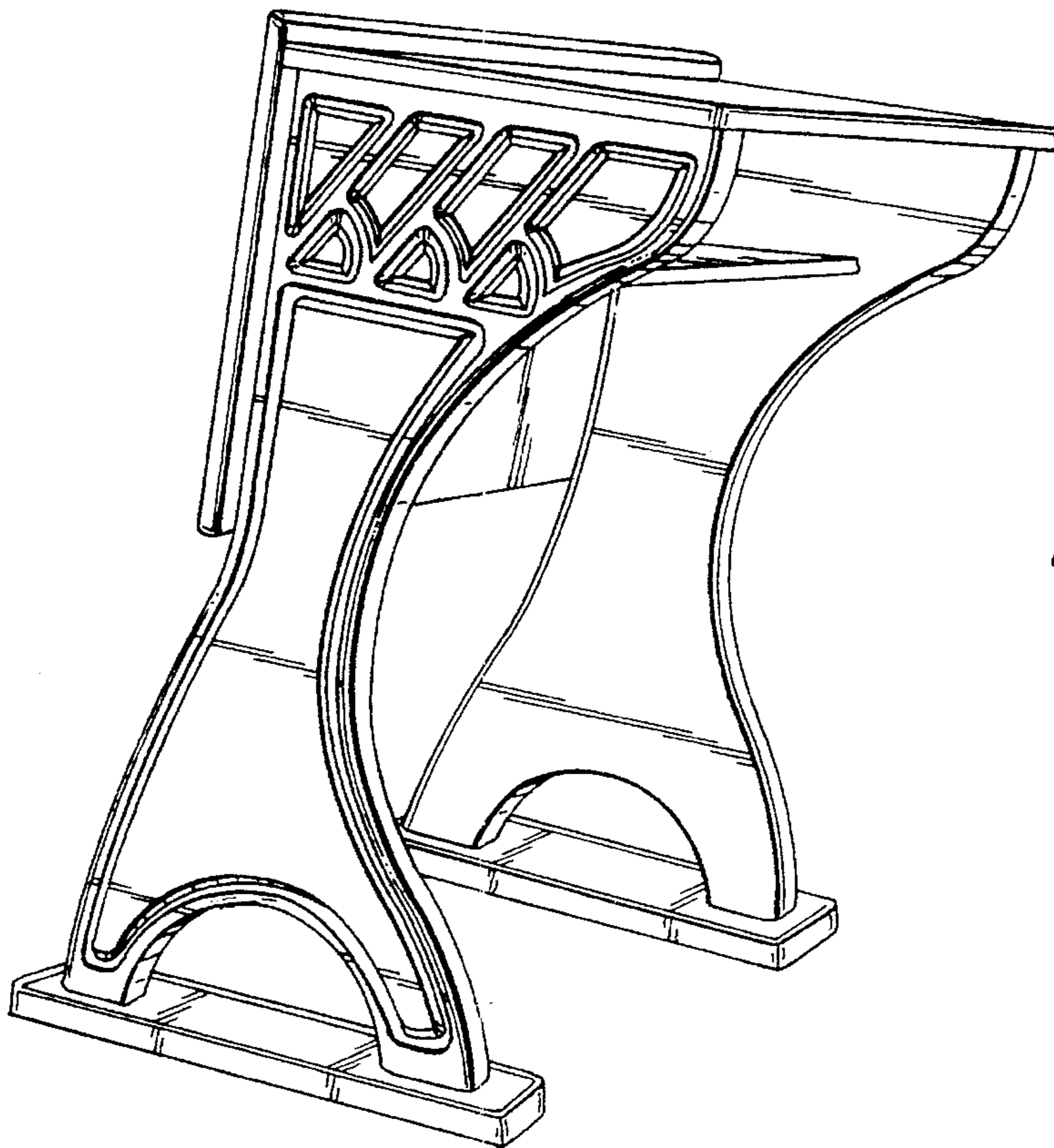
### [56] References Cited

#### U.S. PATENT DOCUMENTS

D. 3,297	12/1868	Uhlings	.....	D6/342
D. 4,206	7/1870	McCullough et al.	.....	D6/342
D. 20,452	1/1891	Jones	.....	D6/342
D. 61,365	8/1922	Goweran	.....	D6/428
D. 84,488	6/1931	Morgan	.....	D6/428
D. 180,289	5/1957	Lippincott et al.	.....	D6/428
D. 197,651	3/1964	Sundberg et al.	.....	D6/428
D. 210,734	4/1968	Henrikson et al.	.....	D6/428
D. 273,163	3/1984	Holme	.....	D6/425 X

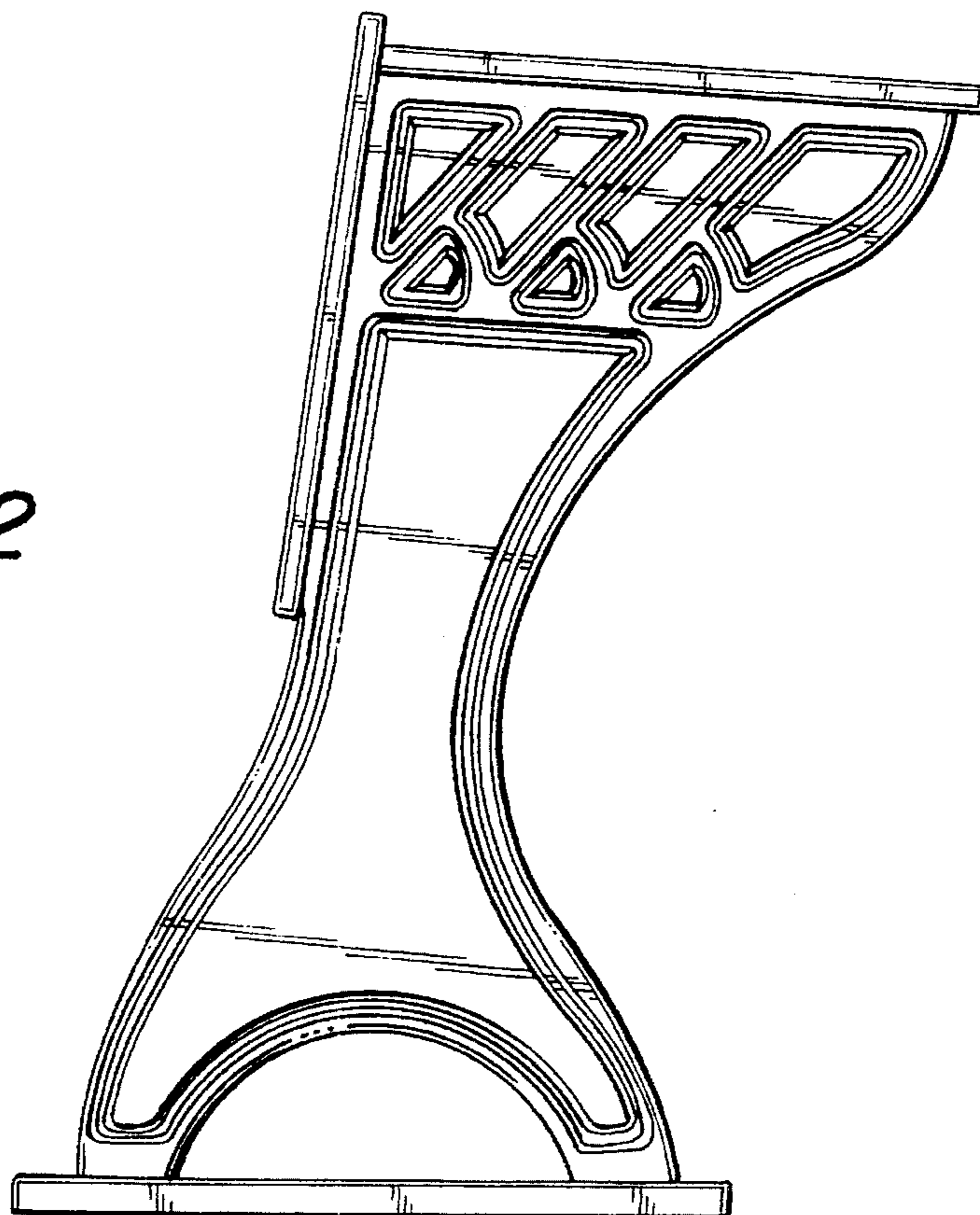
**1 Claim, 4 Drawing Sheets**

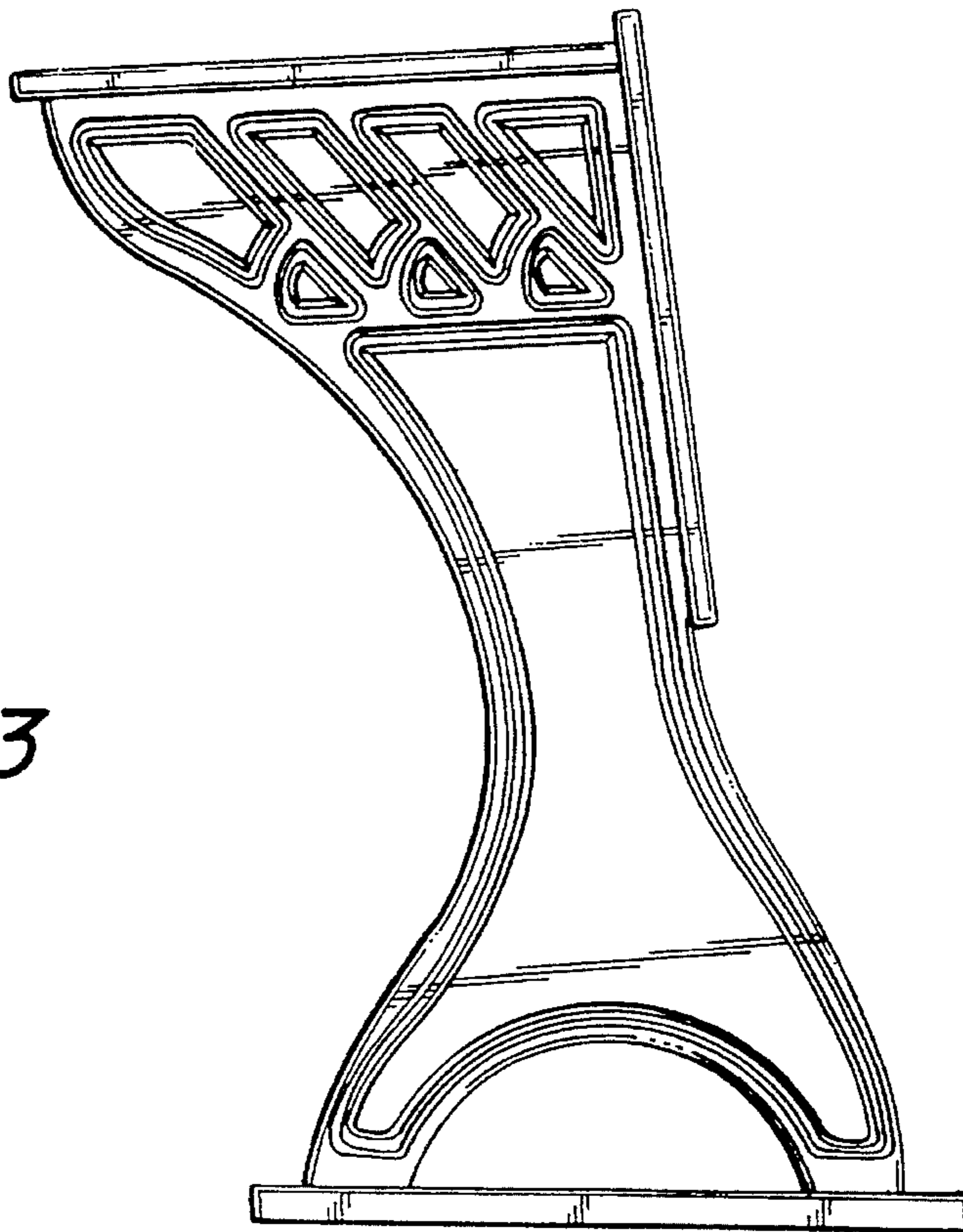




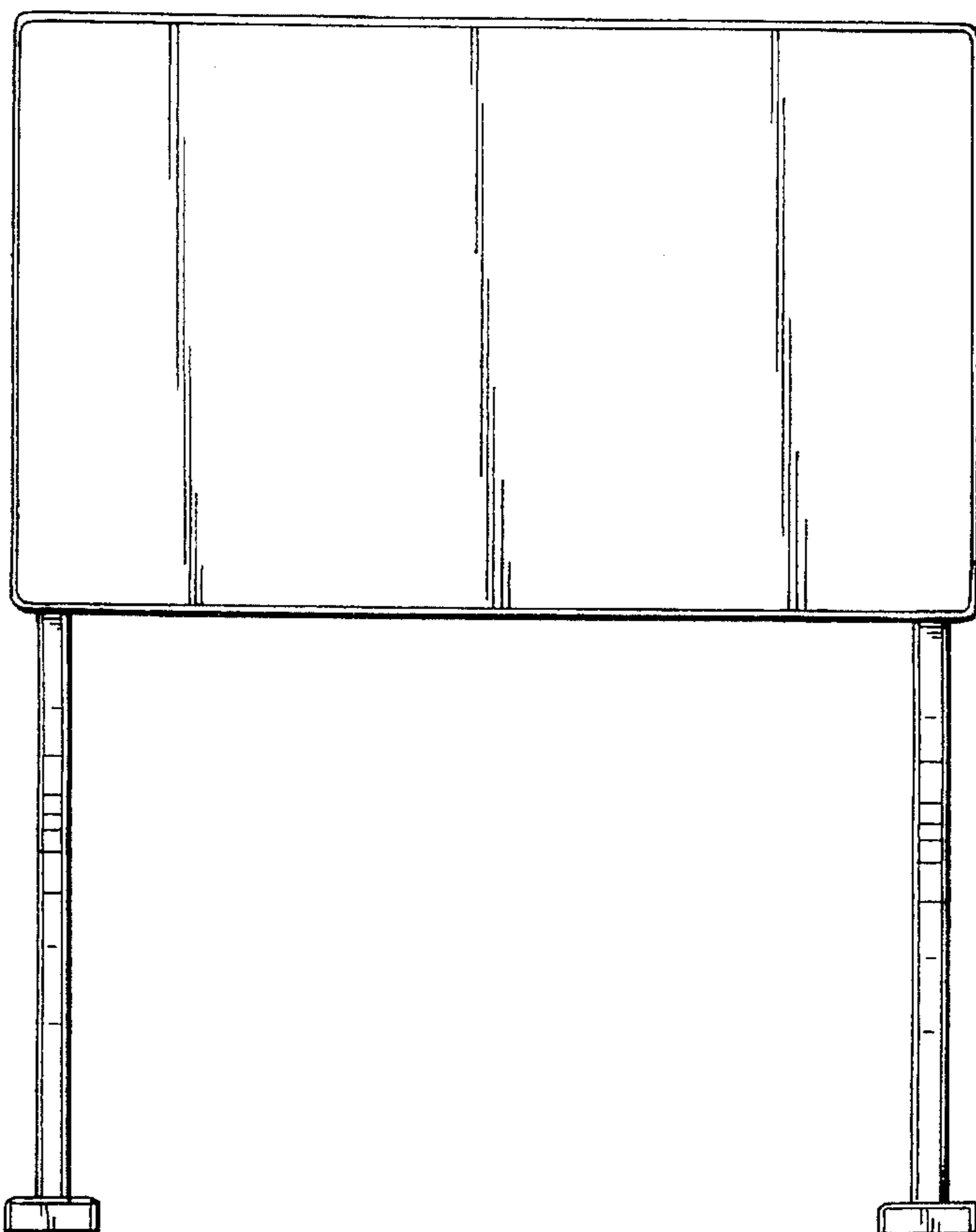
*Fig. 1*

*Fig. 2*



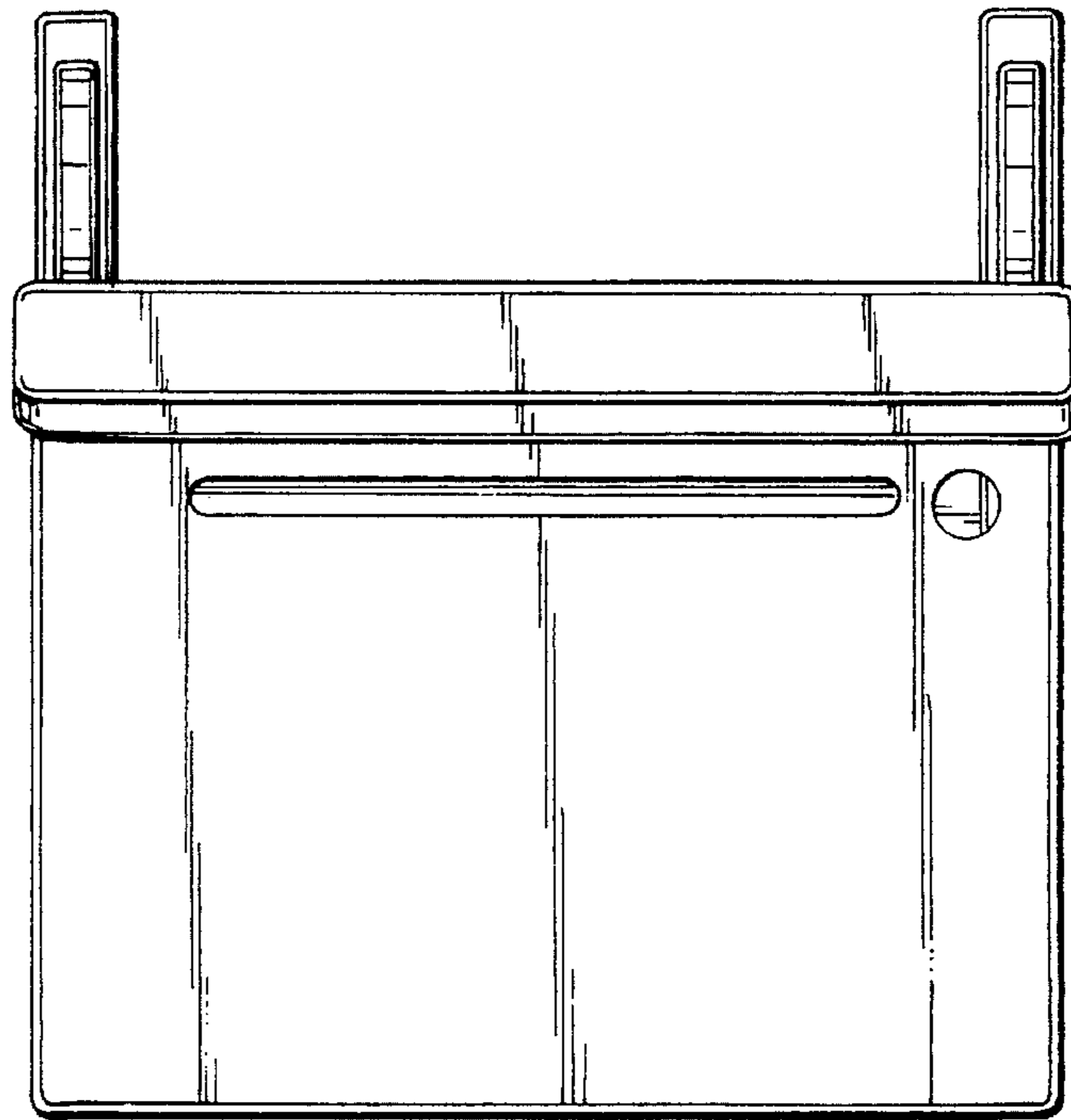


*Fig. 3*

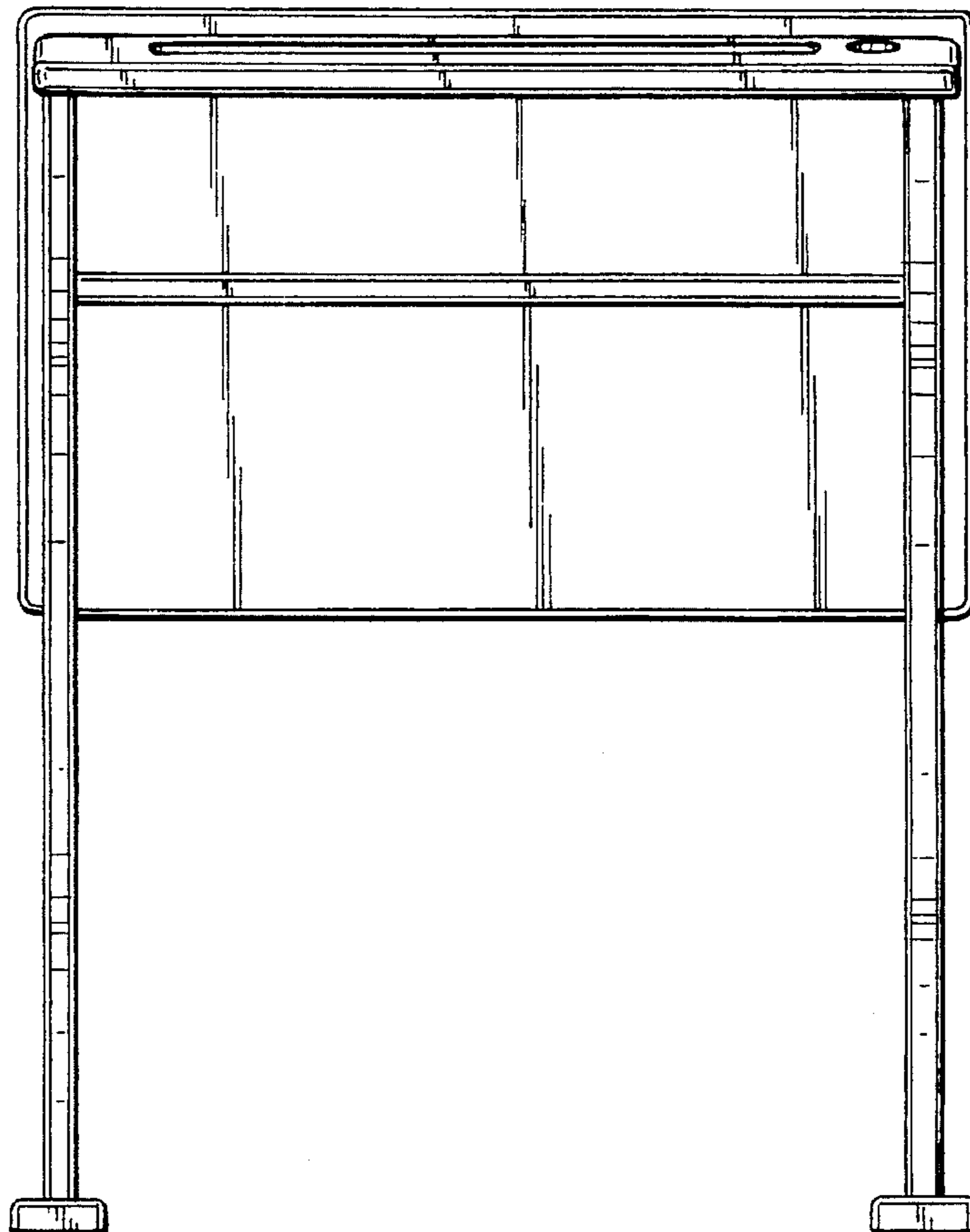


*Fig. 4*

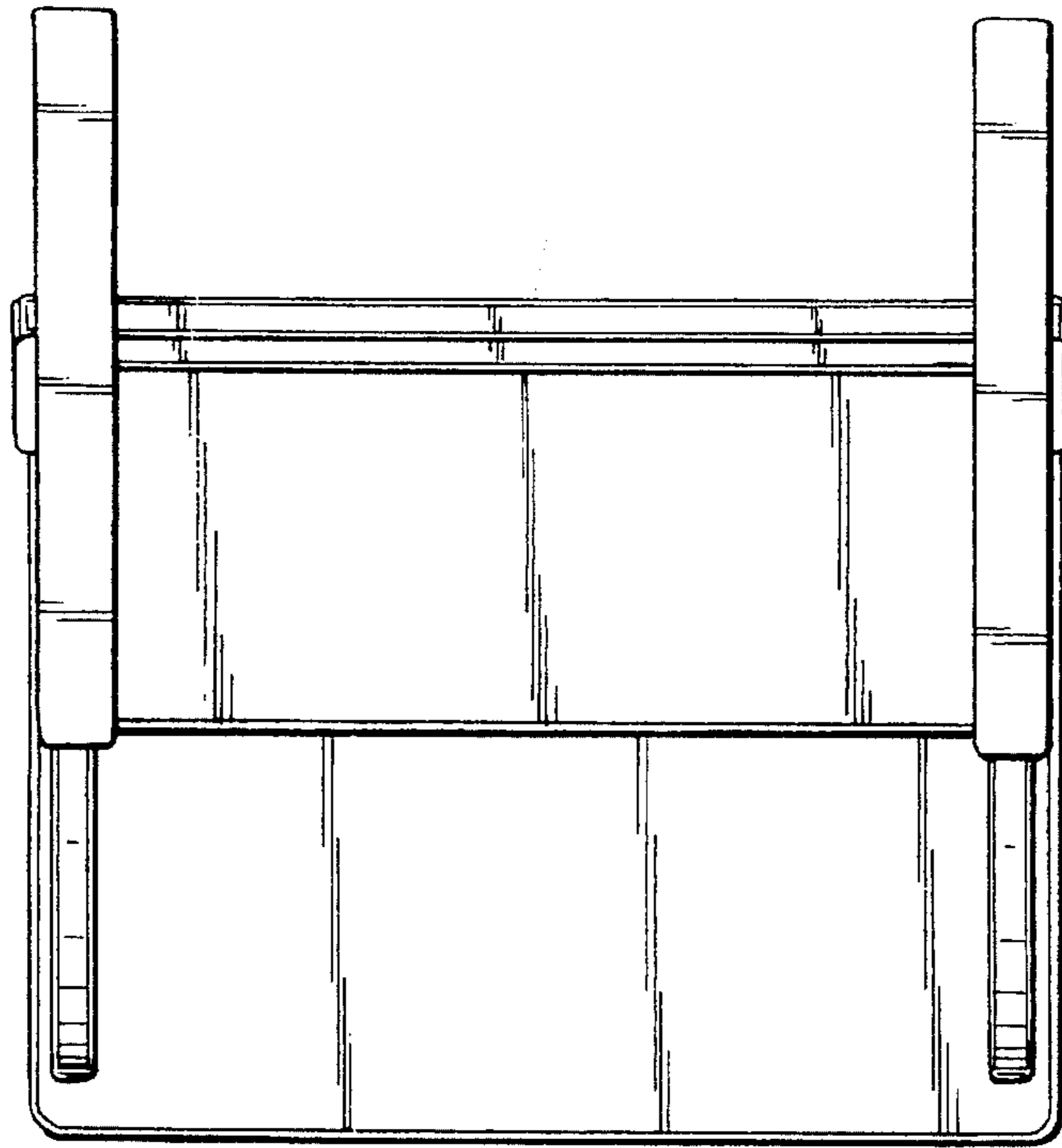
*Fig. 5*



*Fig. 6*



*Fig. 7*



*Fig. 8*

