



US00D368387S

United States Patent [19]

[11] Patent Number: **Des. 368,387**

Bureau

[45] Date of Patent: ****Apr. 2, 1996**

[54] **COMBINED COOLER AND COLLAPSIBLE TABLE**

2,895,311	9/1959	Spalvins .
3,347,060	10/1967	Barkan .
4,436,353	3/1984	Tucker .
4,515,421	5/1985	Steffes .
4,581,902	4/1986	Staraack et al. .

[76] Inventor: **H. Lee Bureau**, 3 Park Ave., Waterville, Me. 04901

[**] Term: **14 Years**

Primary Examiner—Carmen H. Vales-Lado
Attorney, Agent, or Firm—Pearson & Pearson

[21] Appl. No.: **26,782**

[57] CLAIM

[22] Filed: **Jul. 1, 1994**

The ornamental design for the combined cooler and collapsible table, as shown and described.

[52] U.S. Cl. **D6/397; D7/605; D6/429**

[58] Field of Search D6/429-431, 396, D6/397; D7/605; 312/241; 62/258, 457.1, 457.8, 457.7

DESCRIPTION

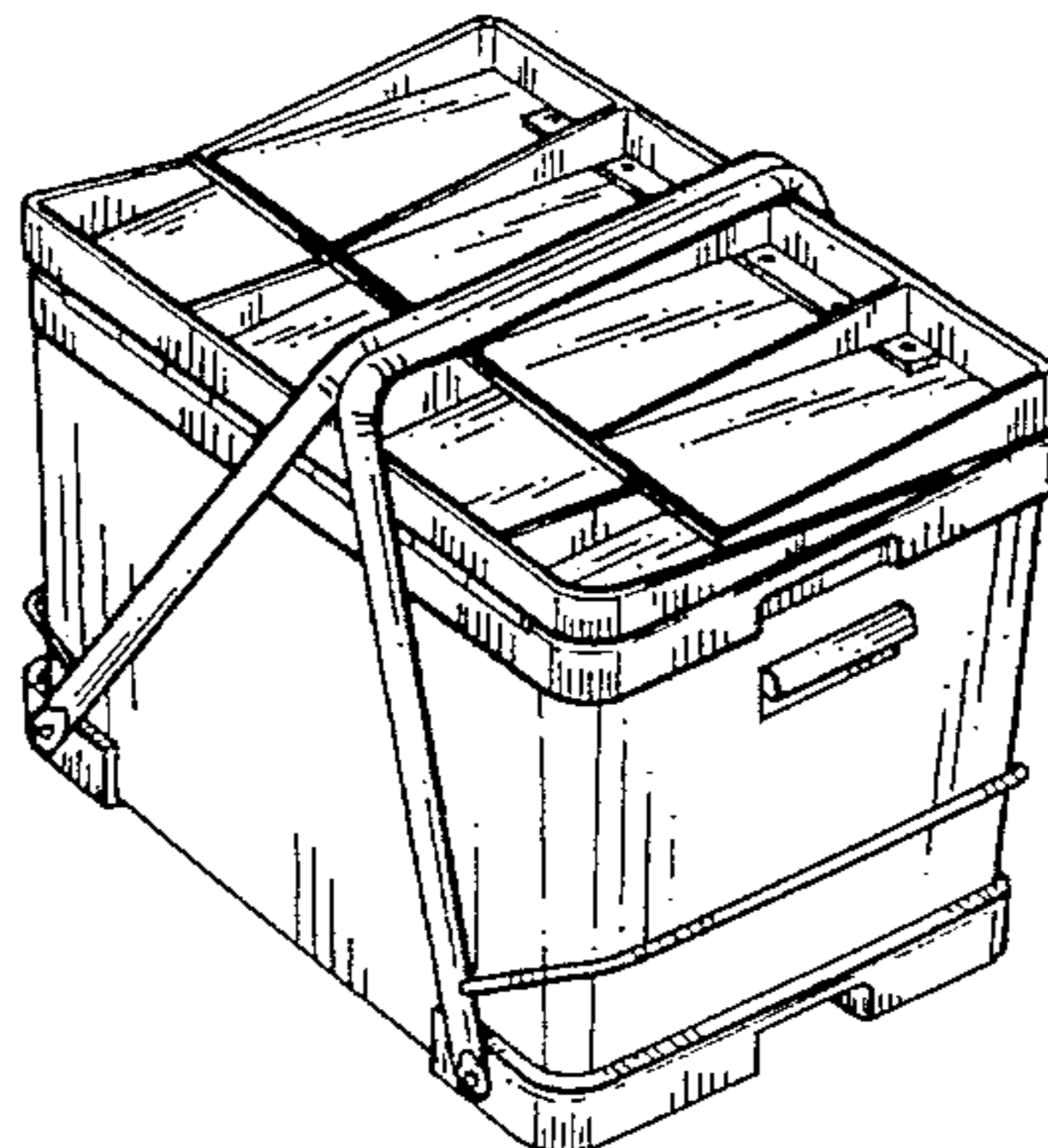
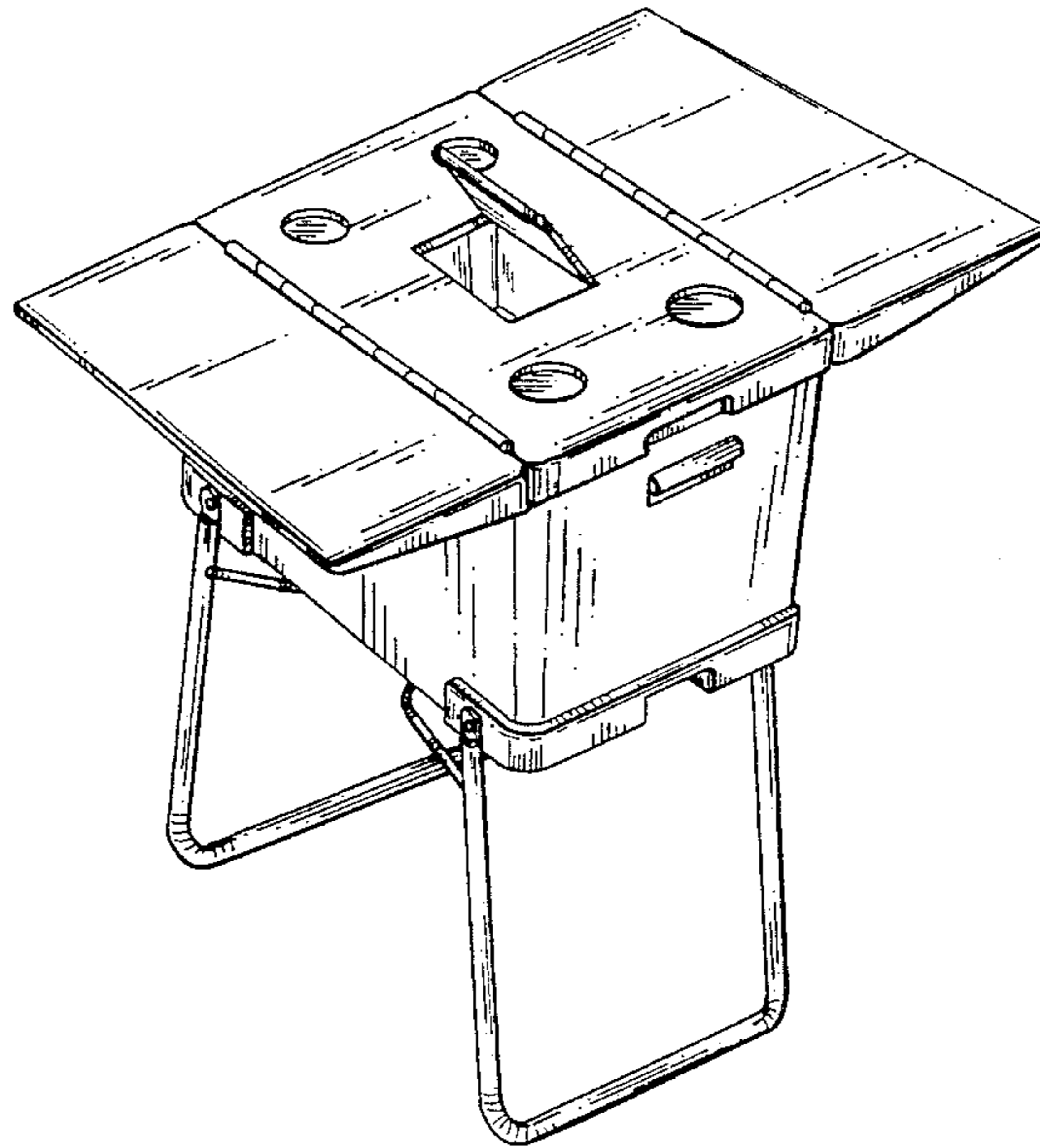
[56] References Cited

U.S. PATENT DOCUMENTS

D. 142,262	8/1945	Paden	D6/397
D. 276,580	12/1984	Mandl	D6/397
D. 286,252	10/1986	Goodwin	D7/605
D. 296,065	6/1988	Tarozzi et al.	D7/605
D. 302,922	8/1989	Carlson	D7/605
D. 328,689	8/1992	Riskowski	D7/605
592,159	10/1897	Miller .	
2,093,856	9/1937	Wales .	

FIG. 1 is a front perspective view of the combined cooler and collapsible table showing my new design in open position;
 FIG. 2 is a front perspective view in collapsed position;
 FIG. 3 is a front elevational view of FIG. 1, the rear being identical thereto;
 FIG. 4 is a right side elevational view thereof, the left side being identical thereto;
 FIG. 5 is a top plan view thereof; and,
 FIG. 6 is a bottom plan view thereof.

1 Claim, 5 Drawing Sheets



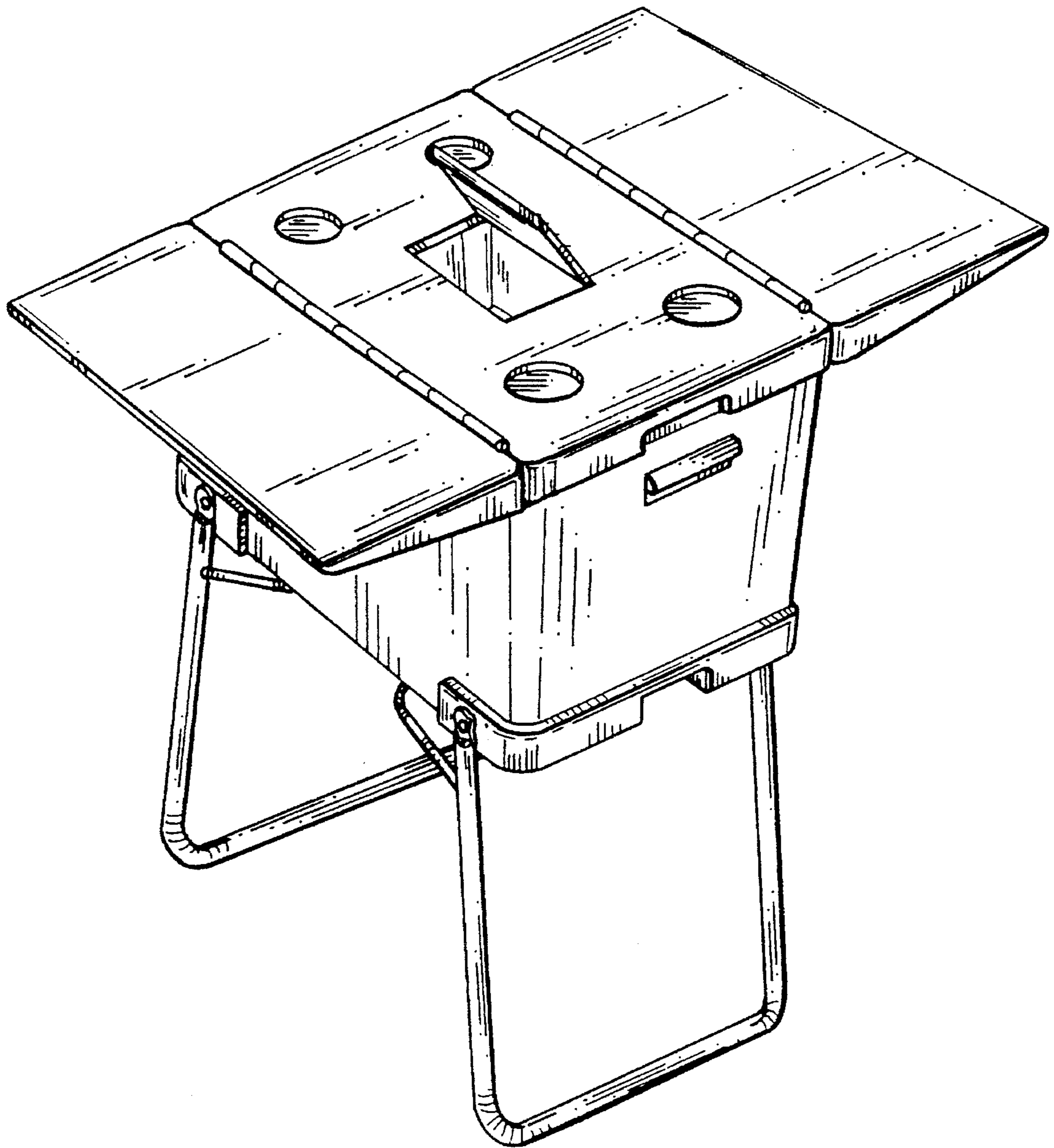


FIG. 1

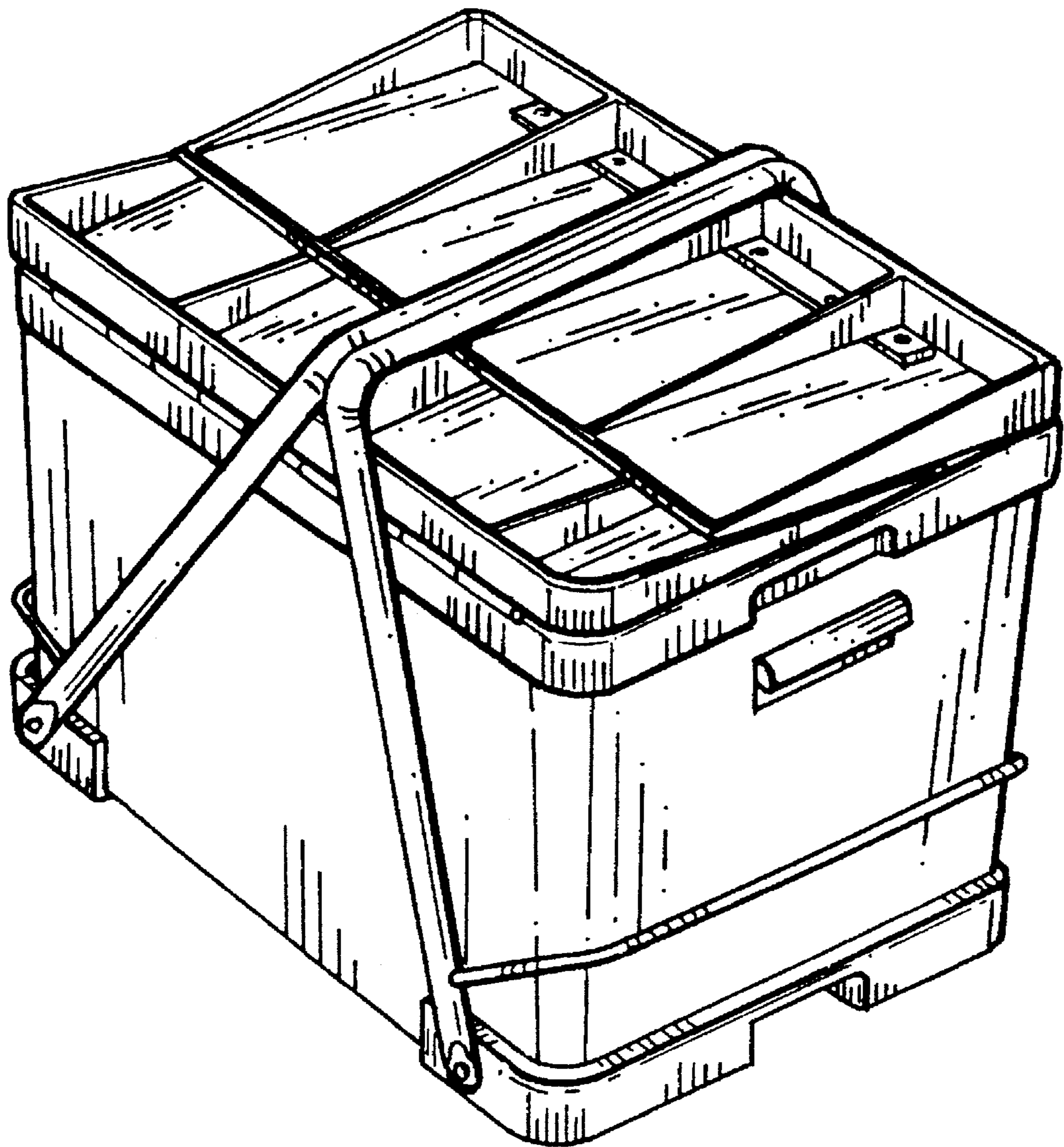


FIG. 2

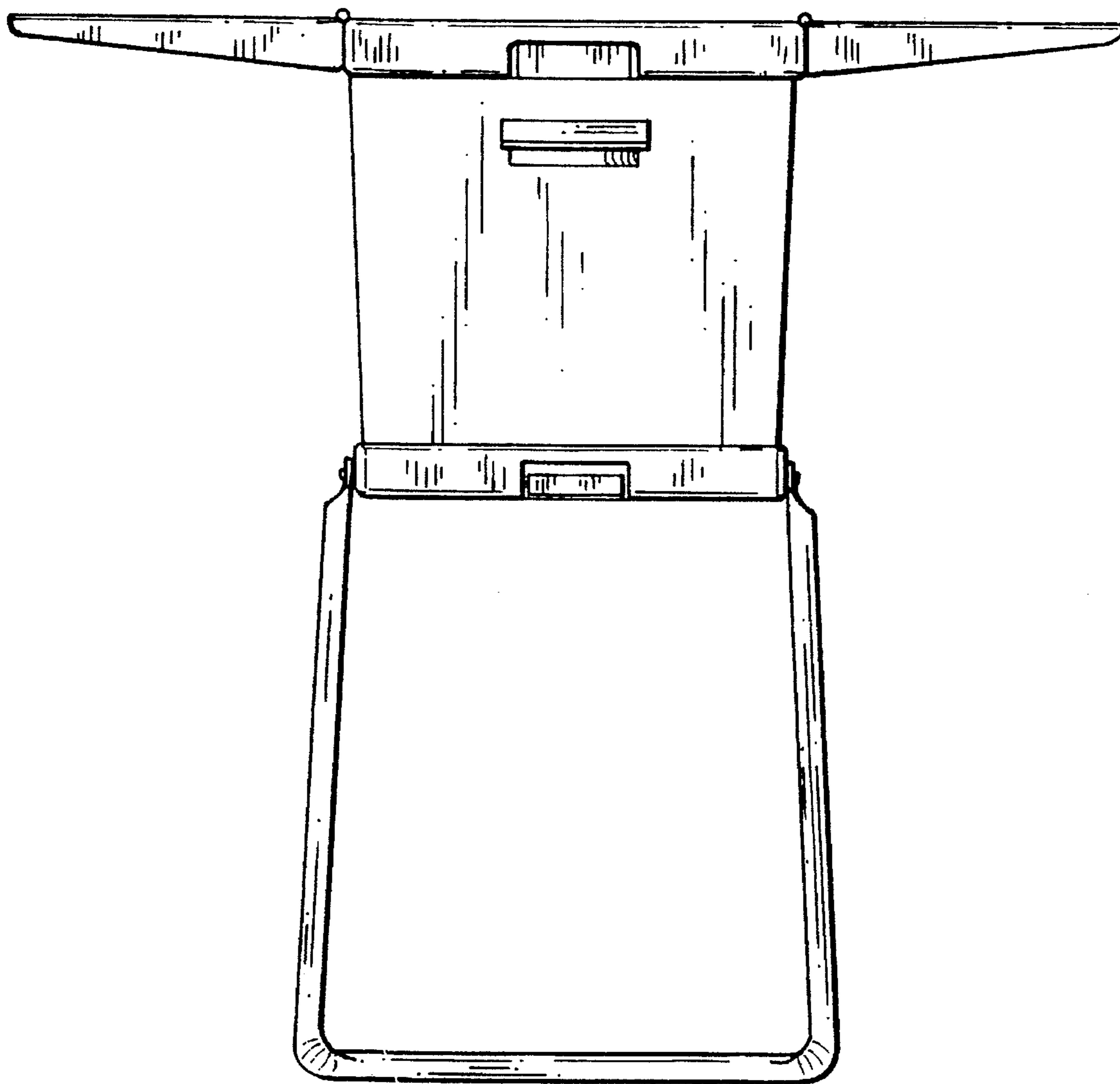


FIG. 3

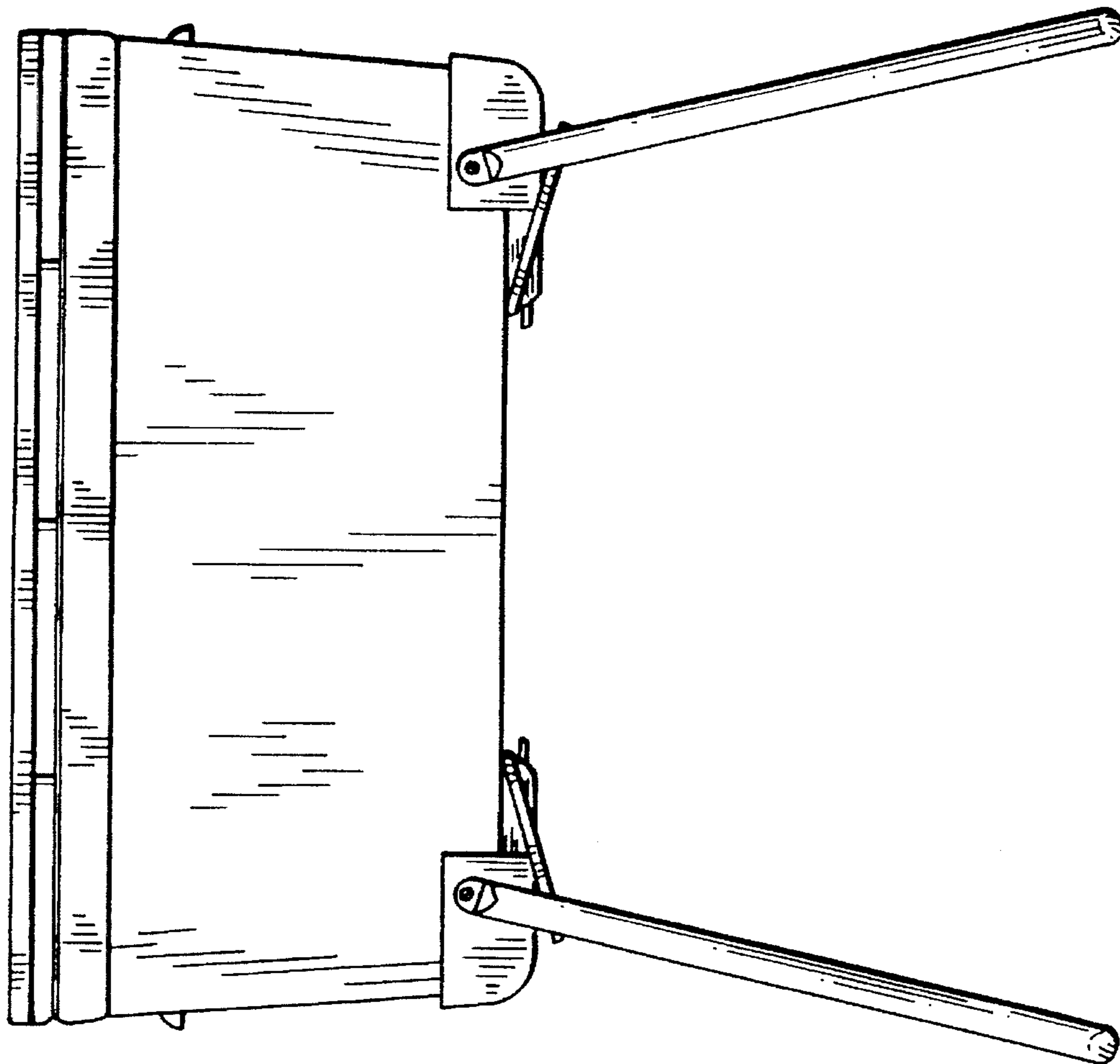


FIG. 4

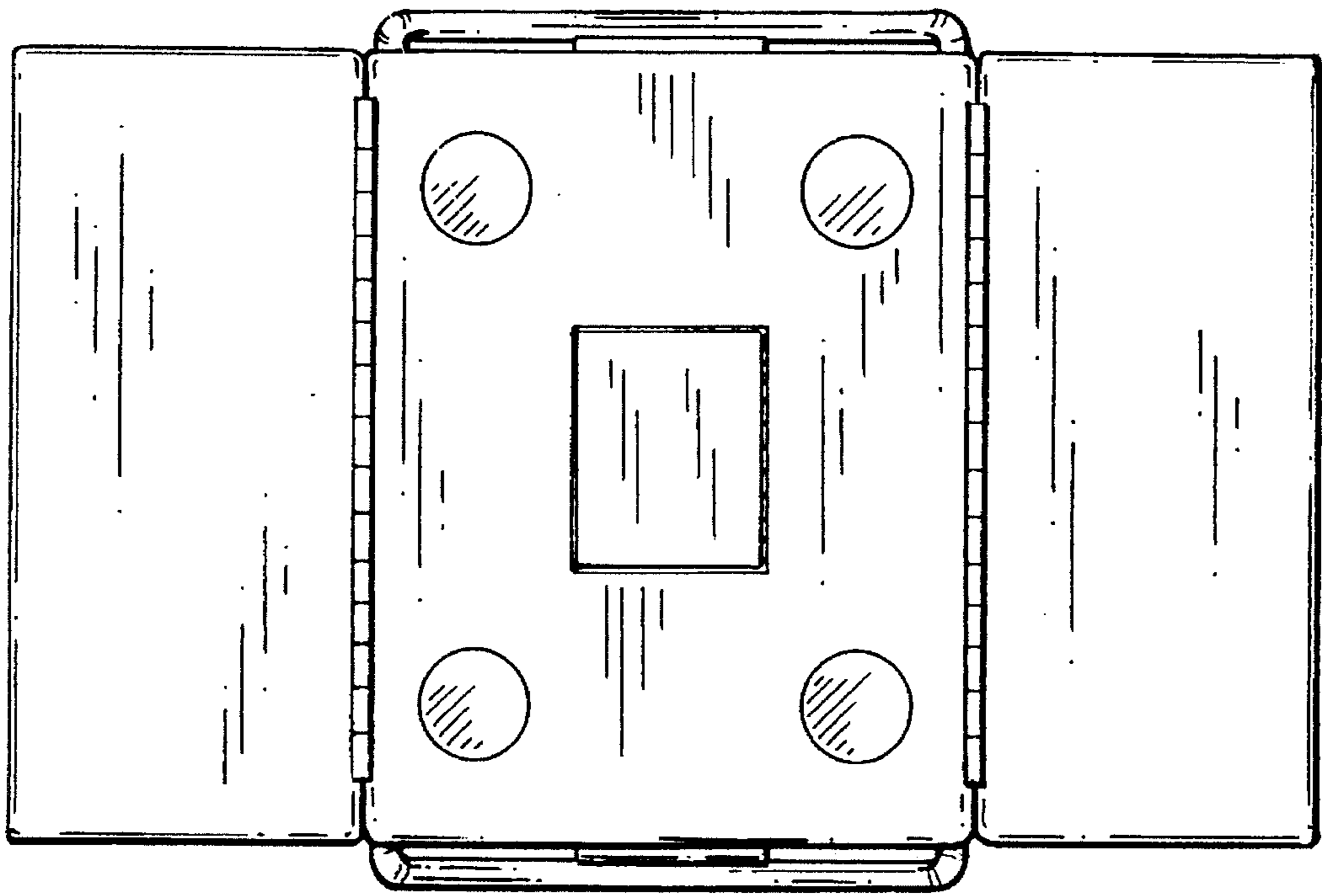


FIG. 5

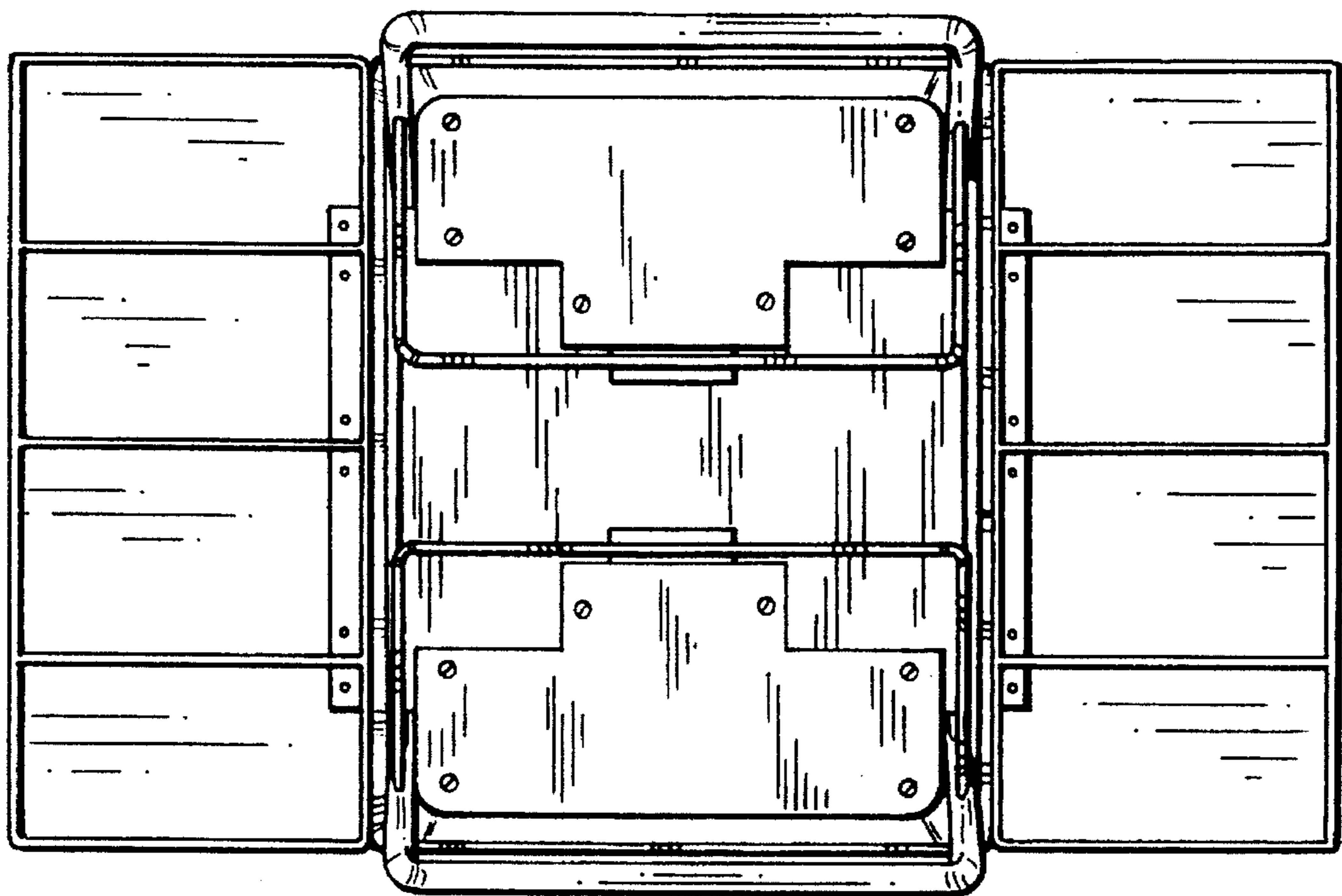


FIG. 6