



US00D368386S

# United States Patent [19]

Meeker et al.

[11] Patent Number: **Des. 368,386**

[45] Date of Patent: **\*\*Apr. 2, 1996**

[54] **CHILD'S BED**

2,075,319 3/1937 Wilkie ..... D6/382 X

[75] Inventors: **Paul K. Meeker**, Hiram; **William R. Gibson**, Canton, both of Ohio

*Primary Examiner*—Janice E. Seeger

[73] Assignee: **LISCO, Inc.**, Tampa, Fla.

[57] **CLAIM**

[\*\*] Term: **14 Years**

The ornamental design of the child's bed, as shown and described.

[21] Appl. No.: **13,531**

**DESCRIPTION**

[22] Filed: **Sep. 2, 1993**

[52] U.S. Cl. .... **D6/393**

[58] Field of Search ..... D6/382, 385, 386,  
D6/388, 390-395, 504-508; 5/53.1, 279.1,  
280, 133

FIG. 1 is a perspective view of the child's bed showing the design of my invention;

FIG. 2 is a front view thereof;

FIG. 3 is a right side thereof;

FIG. 4 is a top plan view thereof;

FIG. 5 is a bottom view thereof; and,

FIG. 6 is a cross-sectional view taken along line 6-6 in FIG. 2.

The rear view is a mirror image of the front view.

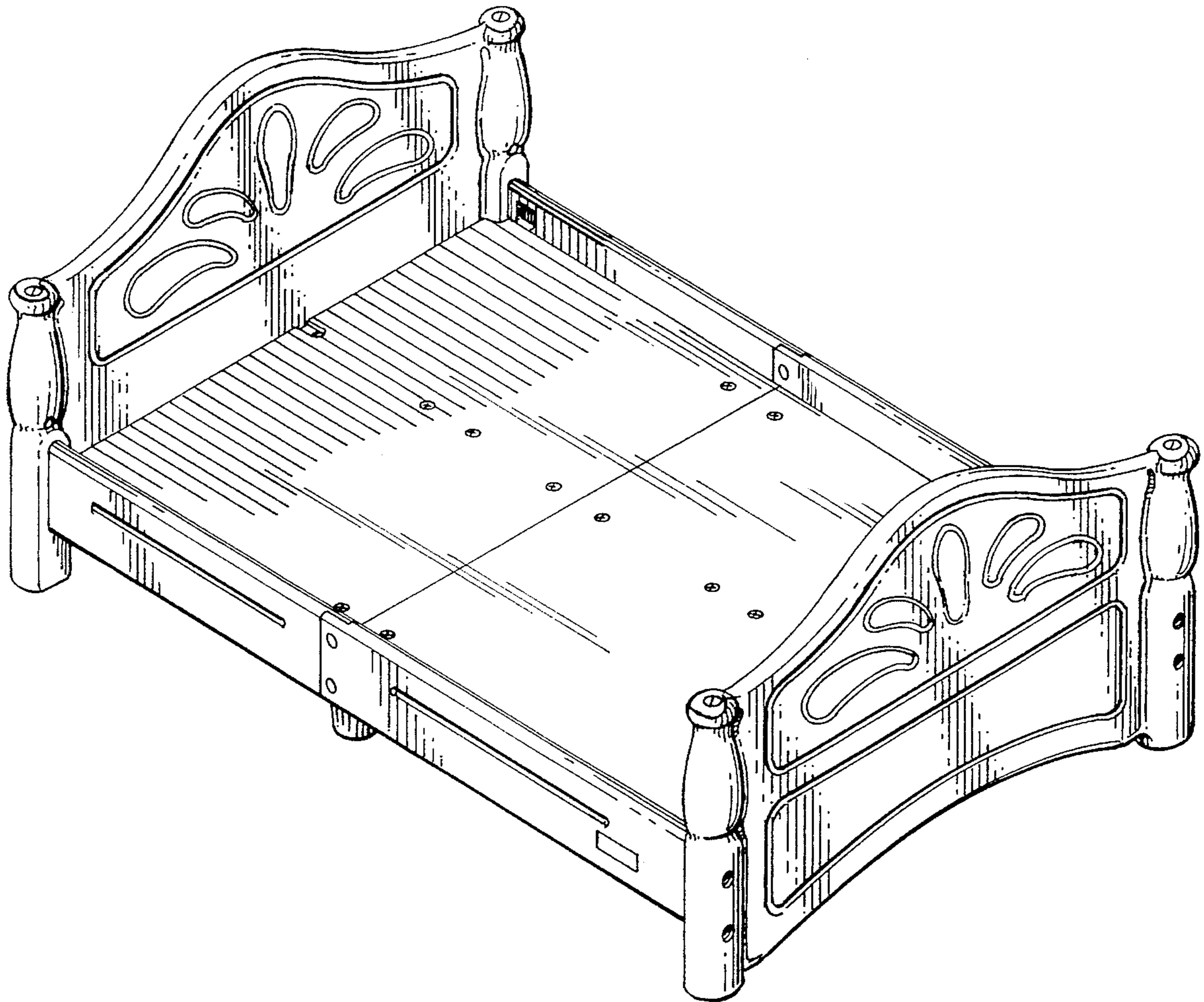
The left side view is a mirror image of the right side view.

[56] **References Cited**

**U.S. PATENT DOCUMENTS**

- D. 309,387 7/1990 Marshall ..... D6/394
- D. 321,383 11/1991 Monneret ..... D6/393 X
- 822,328 6/1906 Welch ..... 5/133 X

**1 Claim, 4 Drawing Sheets**



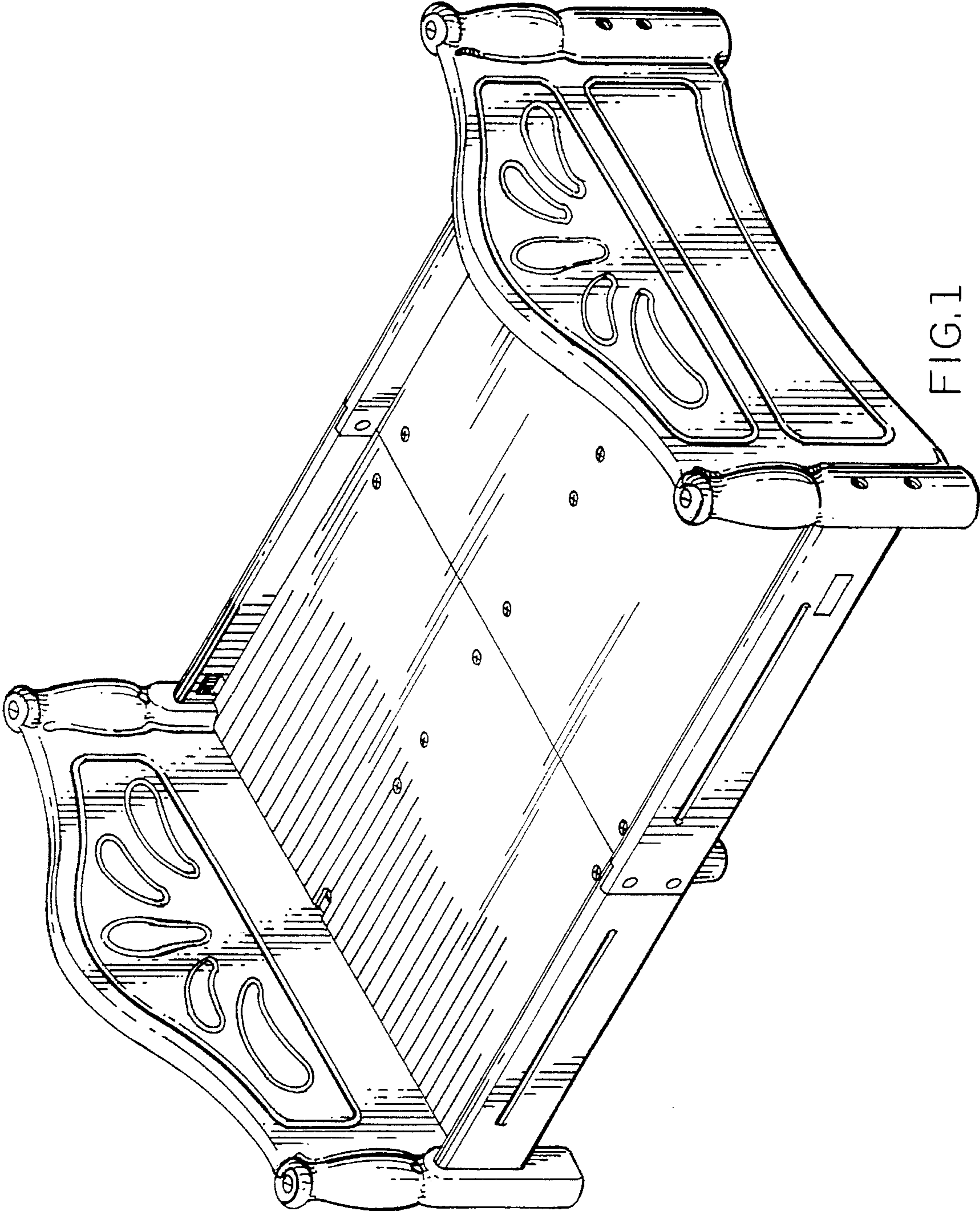


FIG. 1

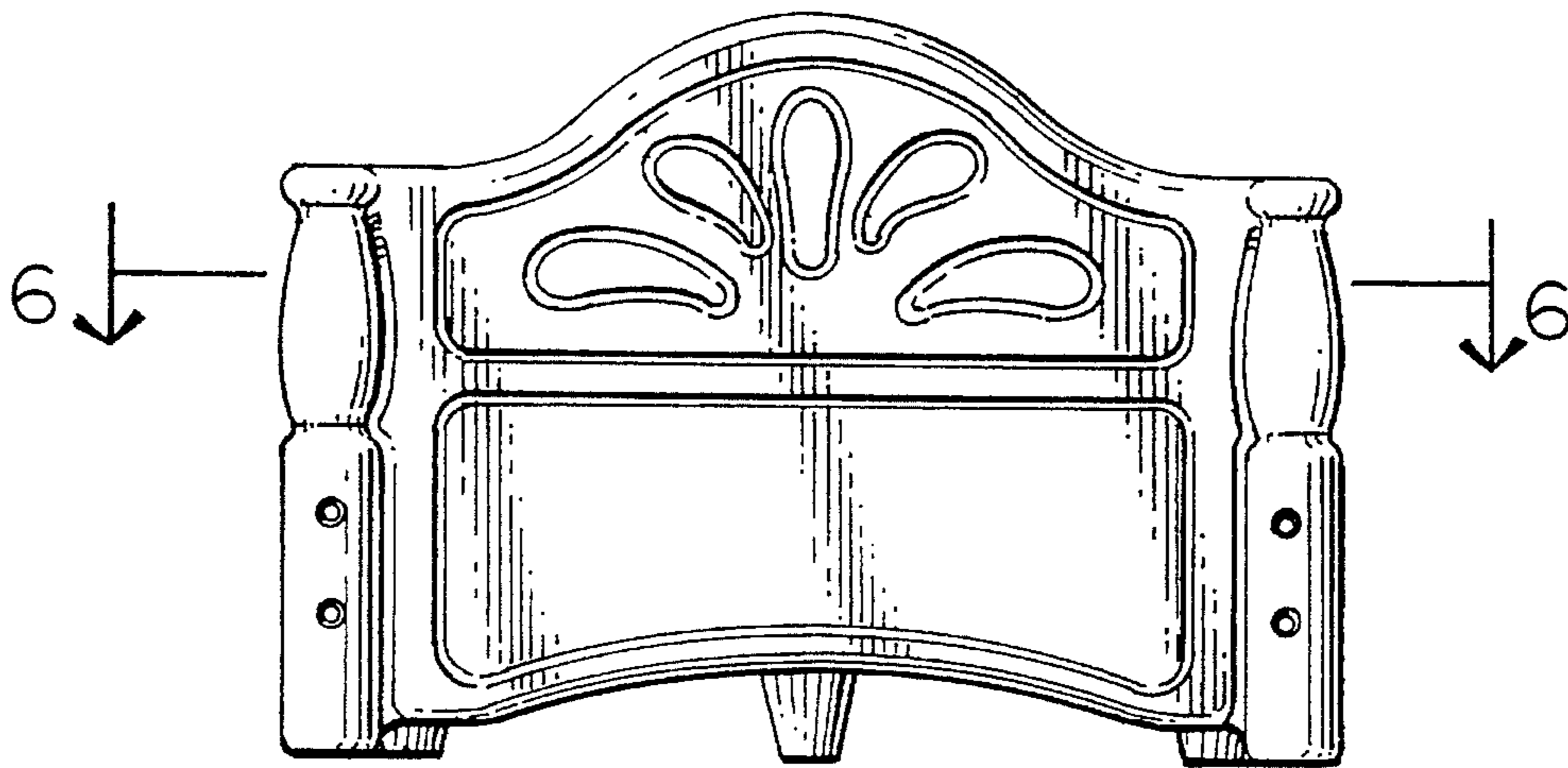


FIG. 2

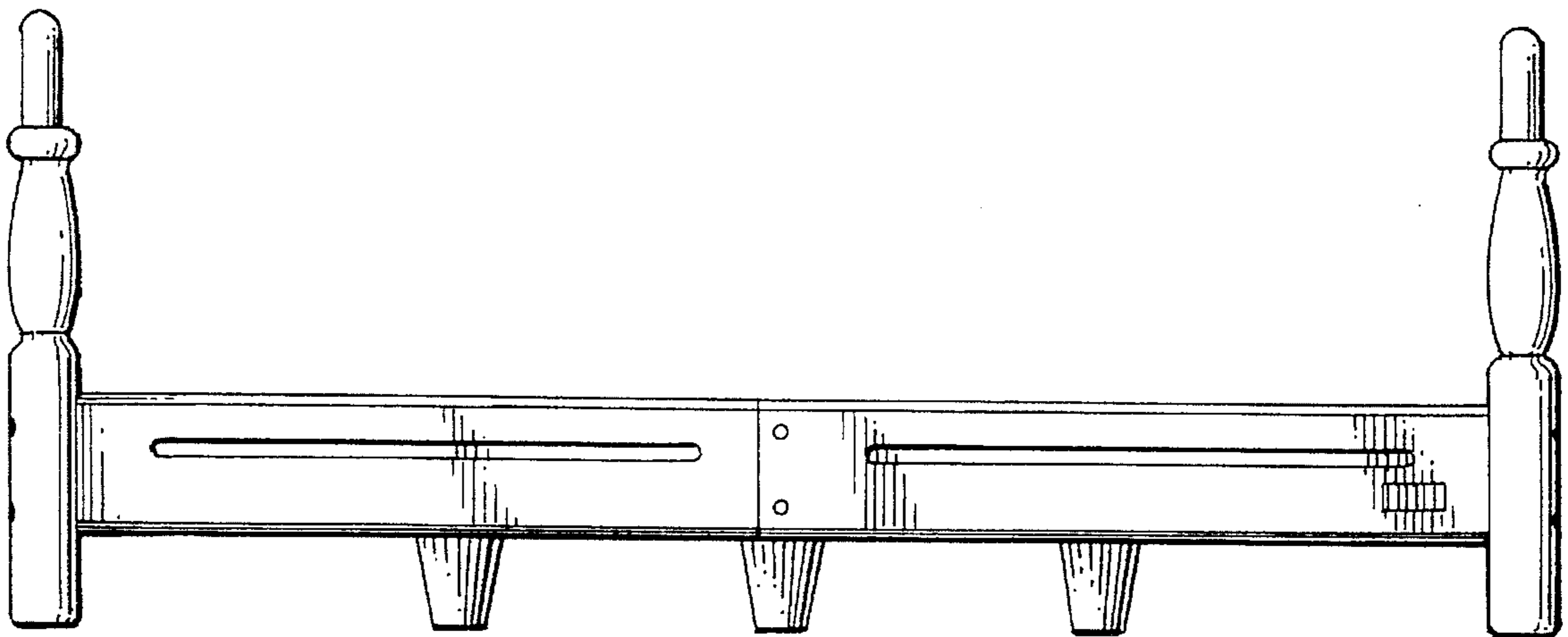


FIG. 3

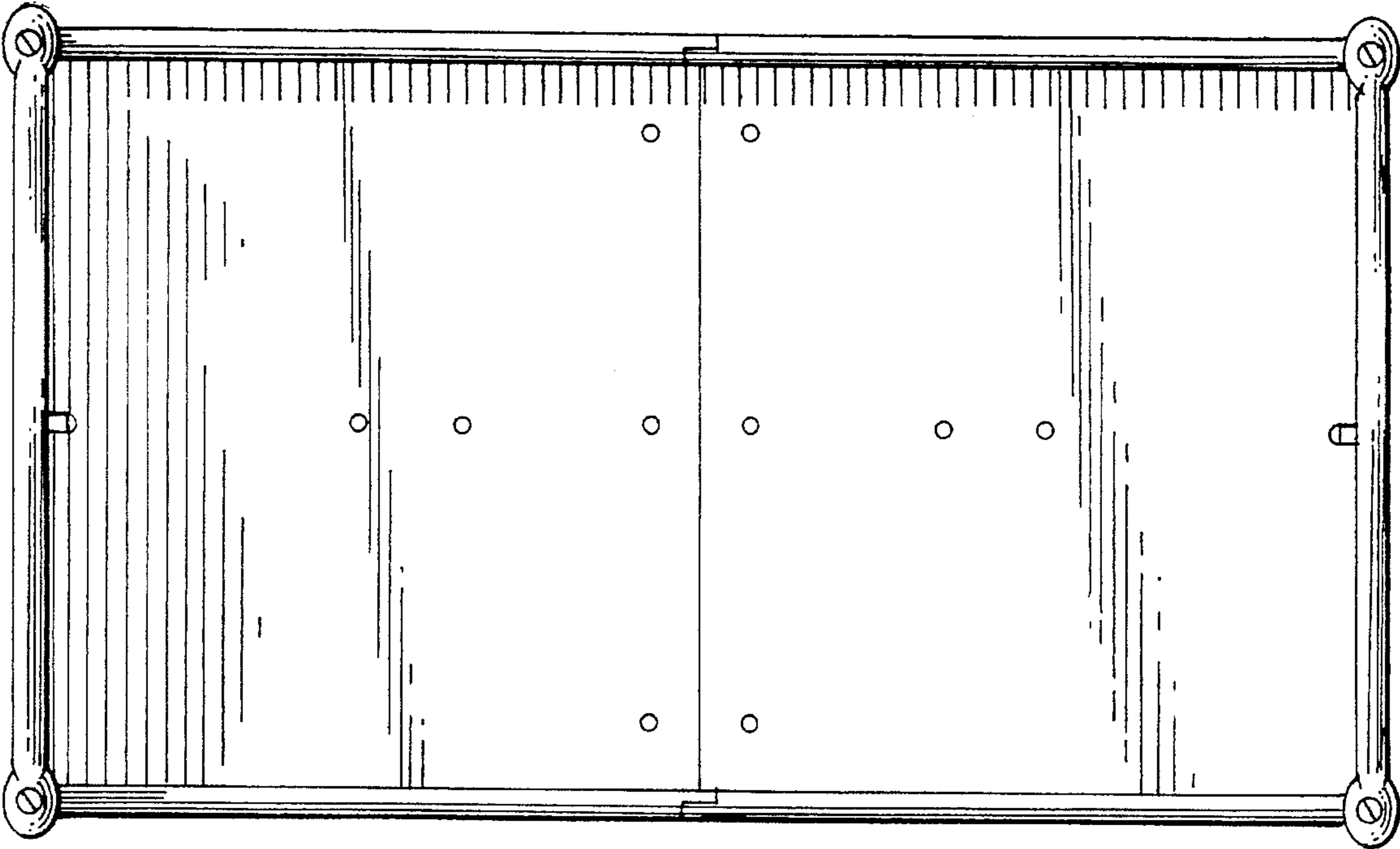


FIG. 4

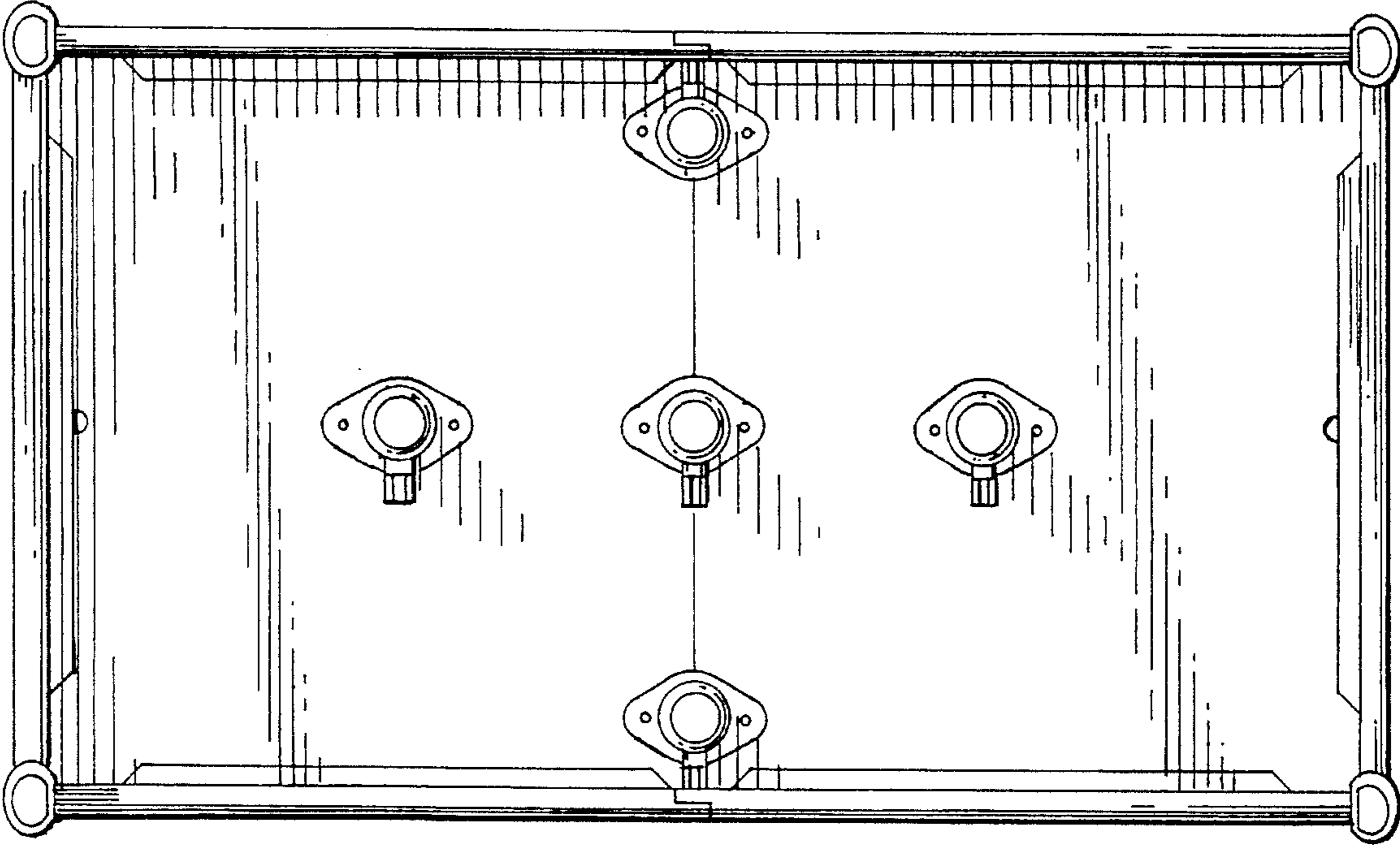


FIG. 5

