



US00D368372S

United States Patent [19]

Dennison

[11] Patent Number: **Des. 368,372**

[45] Date of Patent: ****Apr. 2, 1996**

[54] **COMPUTER TOTE**

[76] Inventor: **Albert L. Dennison**, 512 Valleywood Rd., Millersville, Md. 21180

[**] Term: **14 Years**

[21] Appl. No.: **24,037**

[22] Filed: **Jun. 6, 1994**

[52] U.S. Cl. **D3/327**; D3/318

[58] Field of Search D3/201, 203, 205, D3/207, 208, 210, 212, 230, 247, 249, 250, 253, 264, 273, 274, 276, 281-284, 286, 287, 290-296, 299, 303-305, 307-327, 400-404, 206, 302; 224/202, 203, 204, 205, 264; D8/367, 373; 220/4.22, 4.23, 23.83.213, 335, 755, 776; 190/116; D9/305, 307, 328, 432, 500, 503, 504, 505; 150/107, 108, 110, 130, 134, 118, 119, 154

[56] **References Cited**

U.S. PATENT DOCUMENTS

- D. 299,792 2/1989 Winter D3/327
- D. 343,266 1/1994 Gromer D8/373 X
- 3,431,007 3/1969 Paulsen et al. .

- 3,566,436 3/1971 Marks et al. .
- 3,923,222 12/1975 Groves D3/315 X
- 4,696,505 9/1987 Shadoan .
- 4,866,813 9/1989 Dupont .
- 5,083,692 1/1992 Treese 224/205
- 5,169,199 12/1992 de Ruyter et al. .
- 5,238,162 8/1993 LaCivita 224/202 X

Primary Examiner—Louis S. Zarfaz
Assistant Examiner—Monica A. Hannon

[57] **CLAIM**

The ornamental design for the computer tote, as shown and described.

DESCRIPTION

FIG. 1 is a front elevational view of the computer tote showing my new design;
FIG. 2 is a rear elevational view thereof;
FIG. 3 is a left side elevational view thereof;
FIG. 4 is a right side elevational view thereof;
FIG. 5 is a top plan view thereof;
FIG. 6 is a bottom plan view thereof; and,
FIG. 7 is a perspective view thereof.

1 Claim, 4 Drawing Sheets

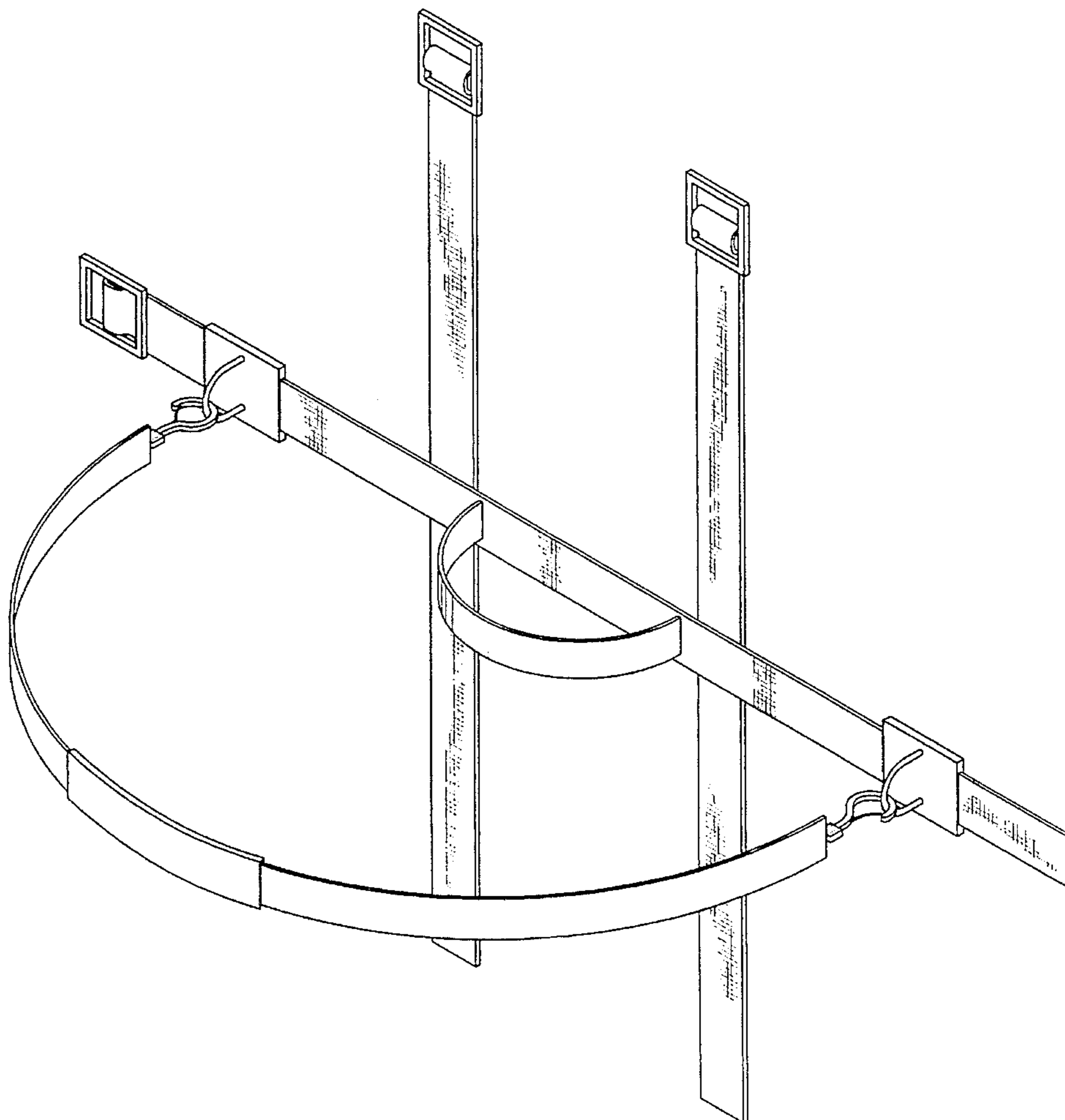


FIG. 1

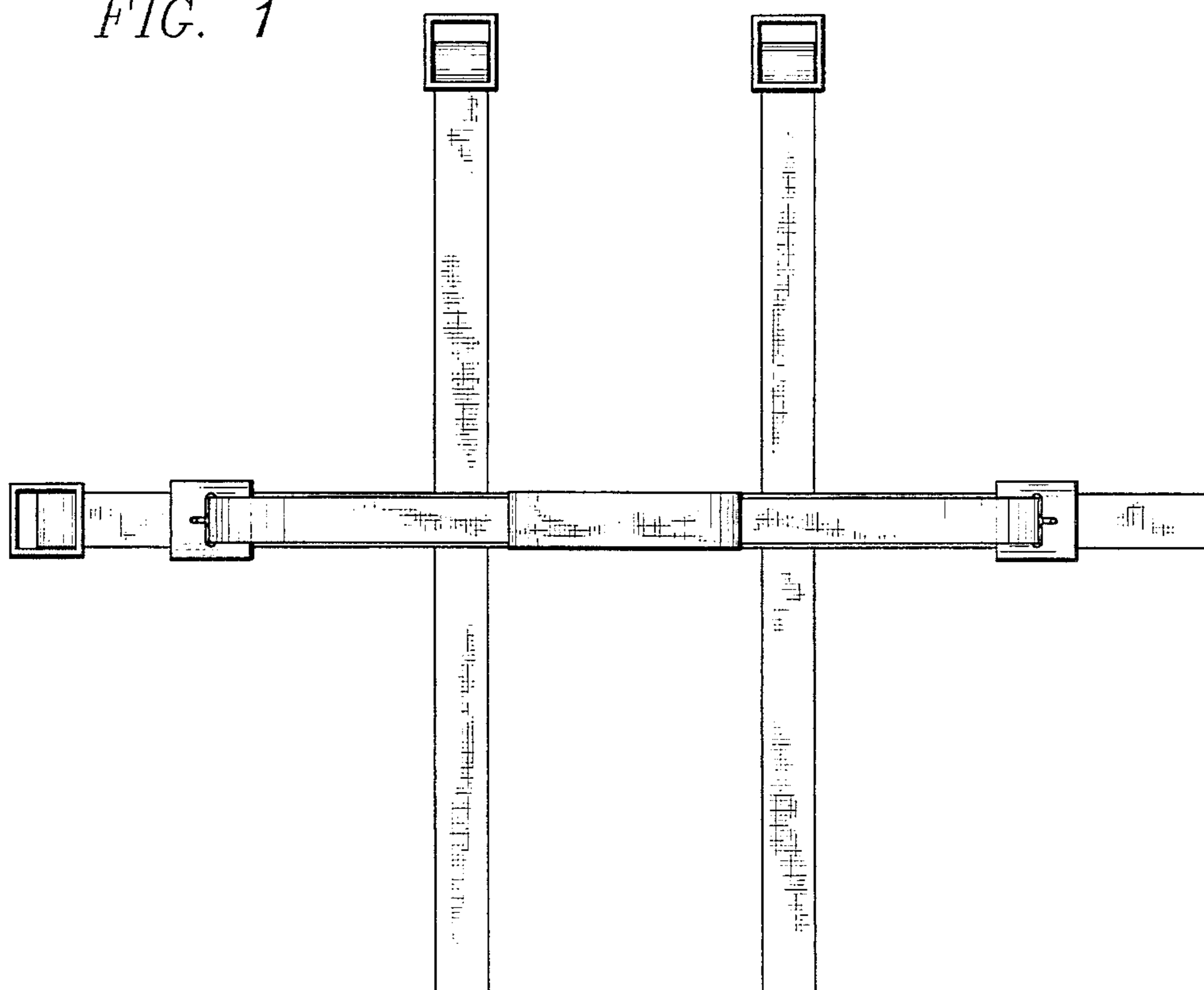


FIG. 2

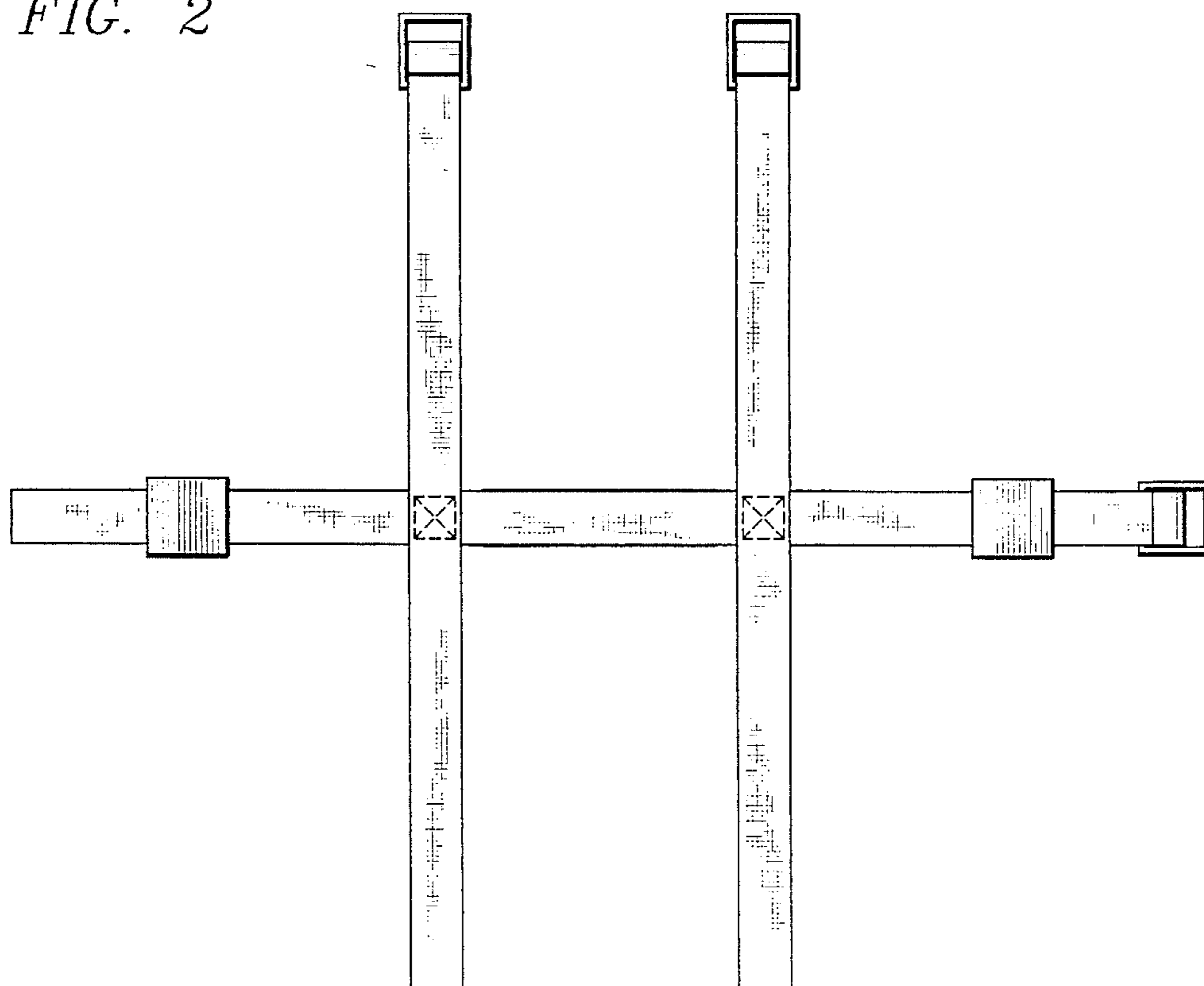


FIG. 3

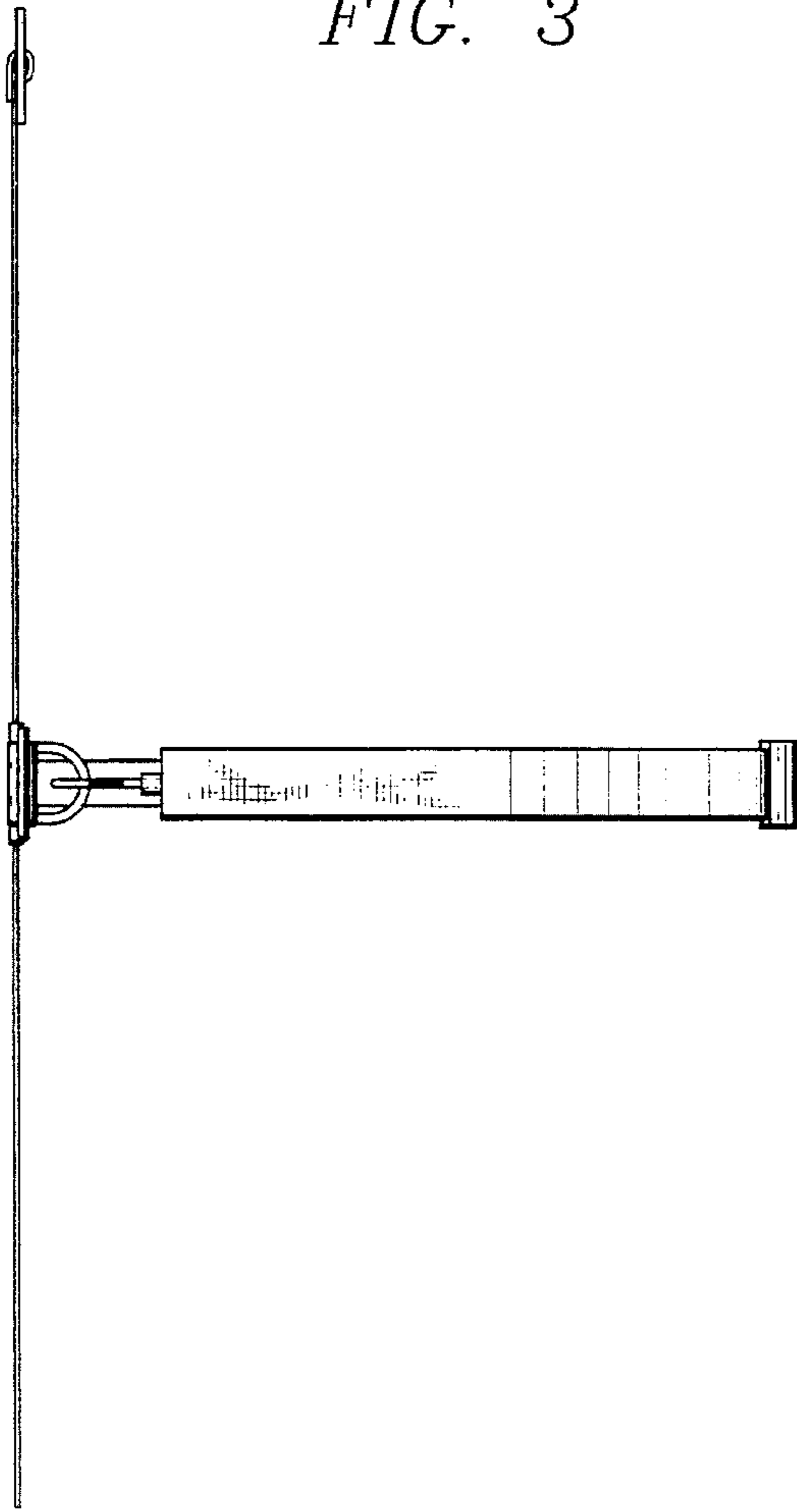


FIG. 4

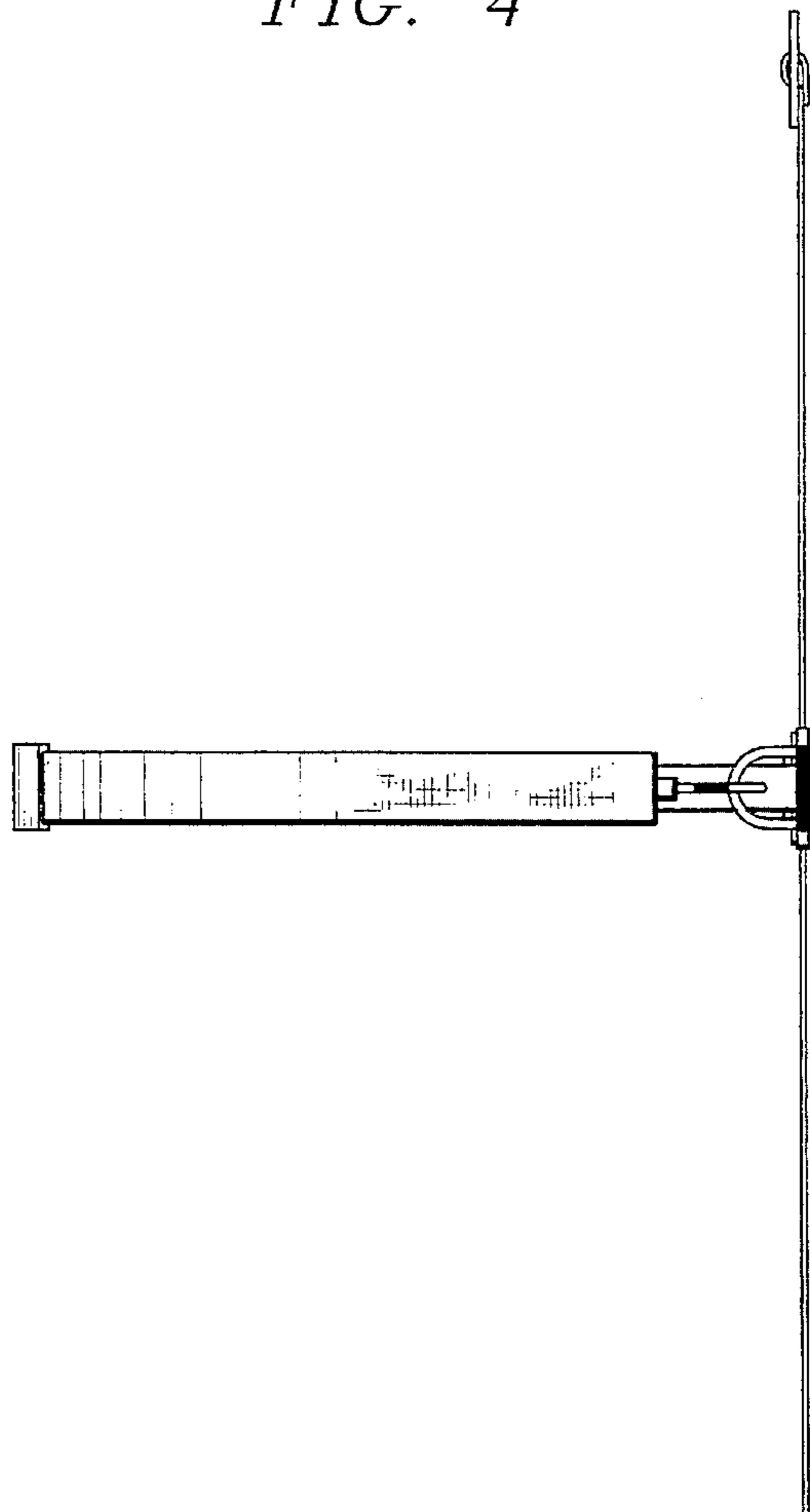


FIG. 5

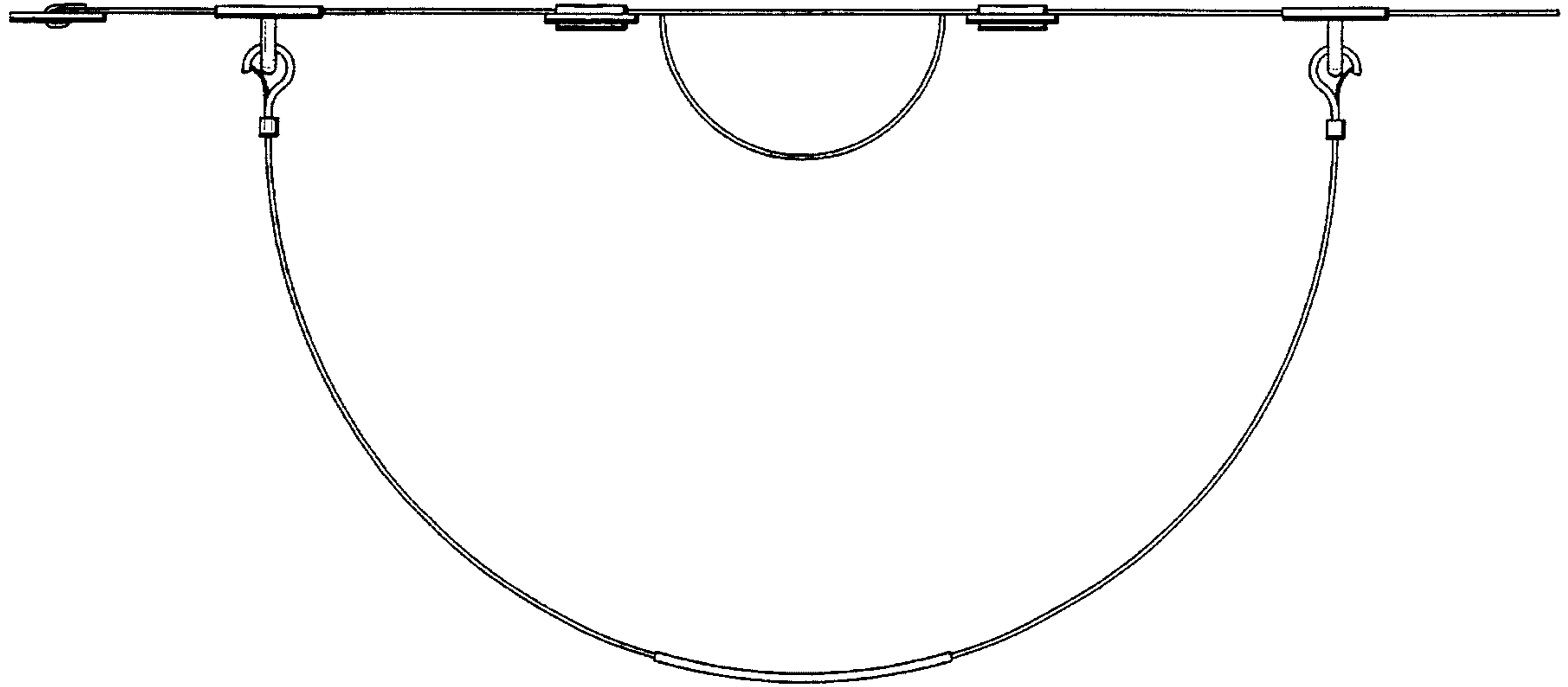


FIG. 6

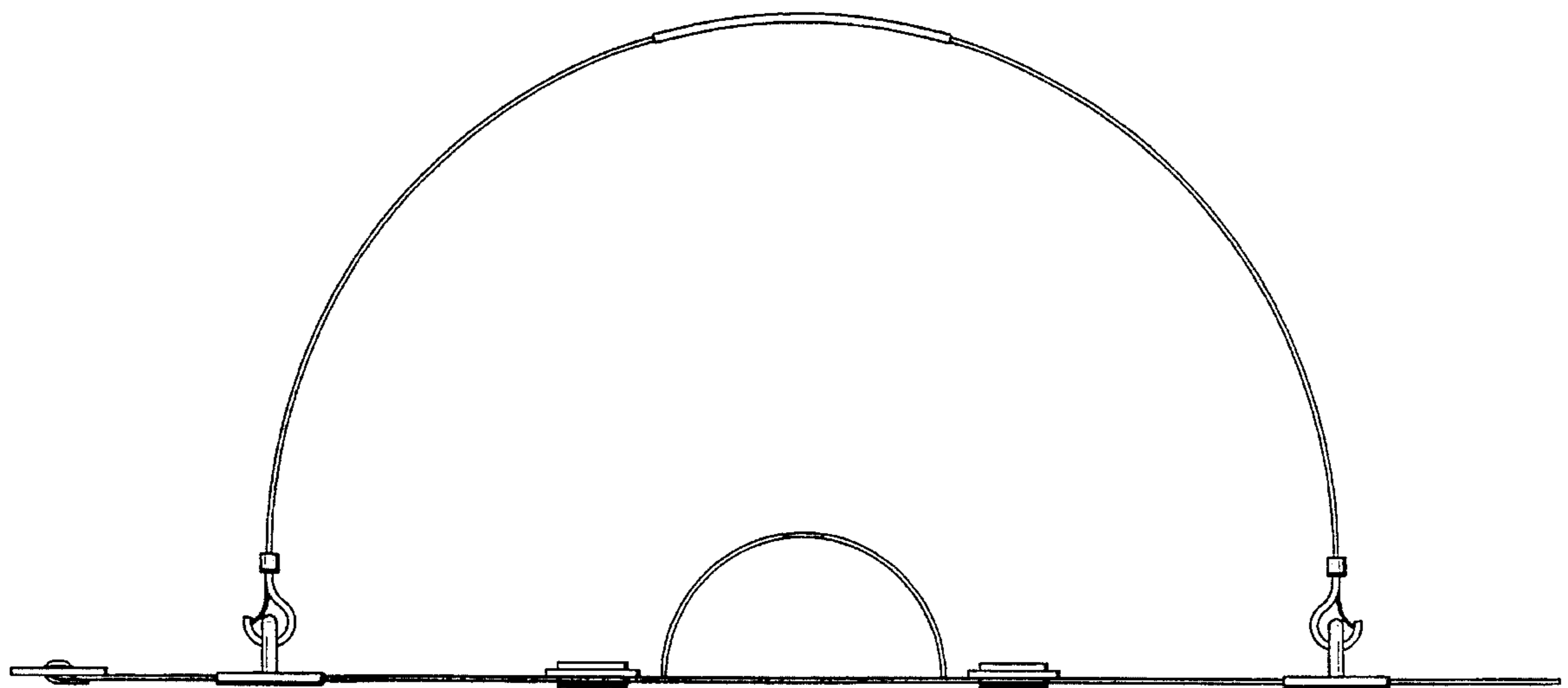


FIG. 7

